



US00D350140S

# United States Patent [19]

[11] Patent Number: **Des. 350,140**

Van Le et al.

[45] Date of Patent: **\*\* Aug. 30, 1994**

## [54] SLIDE-IN REFRIGERATION UNIT

[76] Inventors: **Ut Van Le; Lieu Lam**, both of 1324 Crater Ave., Modesto, Calif. 95351

[\*\*] Term: **14 Years**

[21] Appl. No.: **11,295**

[22] Filed: **Jul. 30, 1993**

[52] U.S. Cl. .... **D15/79**

[58] Field of Search ..... 62/252, 259, 262, 344, 62/408, 440, 450; D15/79, 91

### [56] References Cited

#### U.S. PATENT DOCUMENTS

D. 204,520	4/1966	Buday .....	D15/81
3,019,620	2/1962	Costantini et al. ....	62/408
3,226,944	1/1966	Connors .....	62/344
4,416,122	11/1983	Johnson .....	62/450
4,671,070	6/1987	Rudick .....	D15/81
5,009,081	4/1991	Kruck et al. ....	62/450
5,040,856	8/1991	Wilkins et al. ....	62/408

#### FOREIGN PATENT DOCUMENTS

2455256	12/1980	France .....	62/440
2674617	10/1992	France .....	62/440

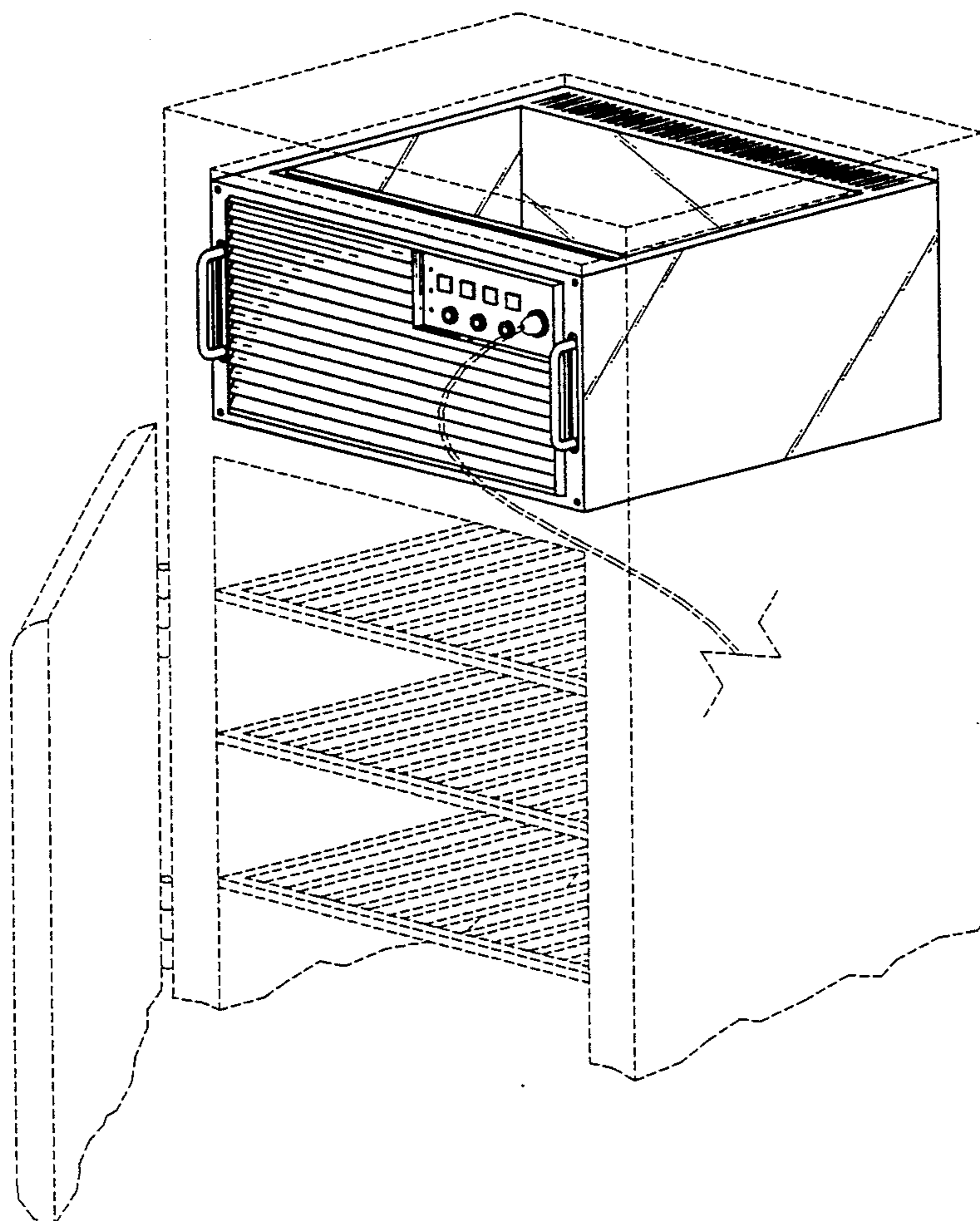
*Primary Examiner*—Bernard Ansher  
*Assistant Examiner*—Sandra Morris  
*Attorney, Agent, or Firm*—Kam T. Tam

### [57] CLAIM

The ornamental design for a slide-in refrigeration unit, as shown and described.

### DESCRIPTION

FIG. 1 is a partially exploded perspective view of the slide-in refrigeration unit, showing our new design; FIG. 2 is a front elevational view thereof; FIG. 3 is a front elevational view thereof, with the cover shown removed; FIG. 4 is a back elevational view thereof; FIG. 5 is a left side elevational view thereof; FIG. 6 is a right side elevational view thereof; FIG. 7 is as top plan view thereof; FIG. 8 is a bottom plan view thereof; FIG. 9 is an environmental view thereof, being disposed at the lower portion of a storage unit with the cover removed; and, FIG. 10 is another environmental view thereof, being disposed at the upper portion of a storage unit. The broken line showing of the storage unit is for illustrative purposes only, and forms no part of the claimed design.



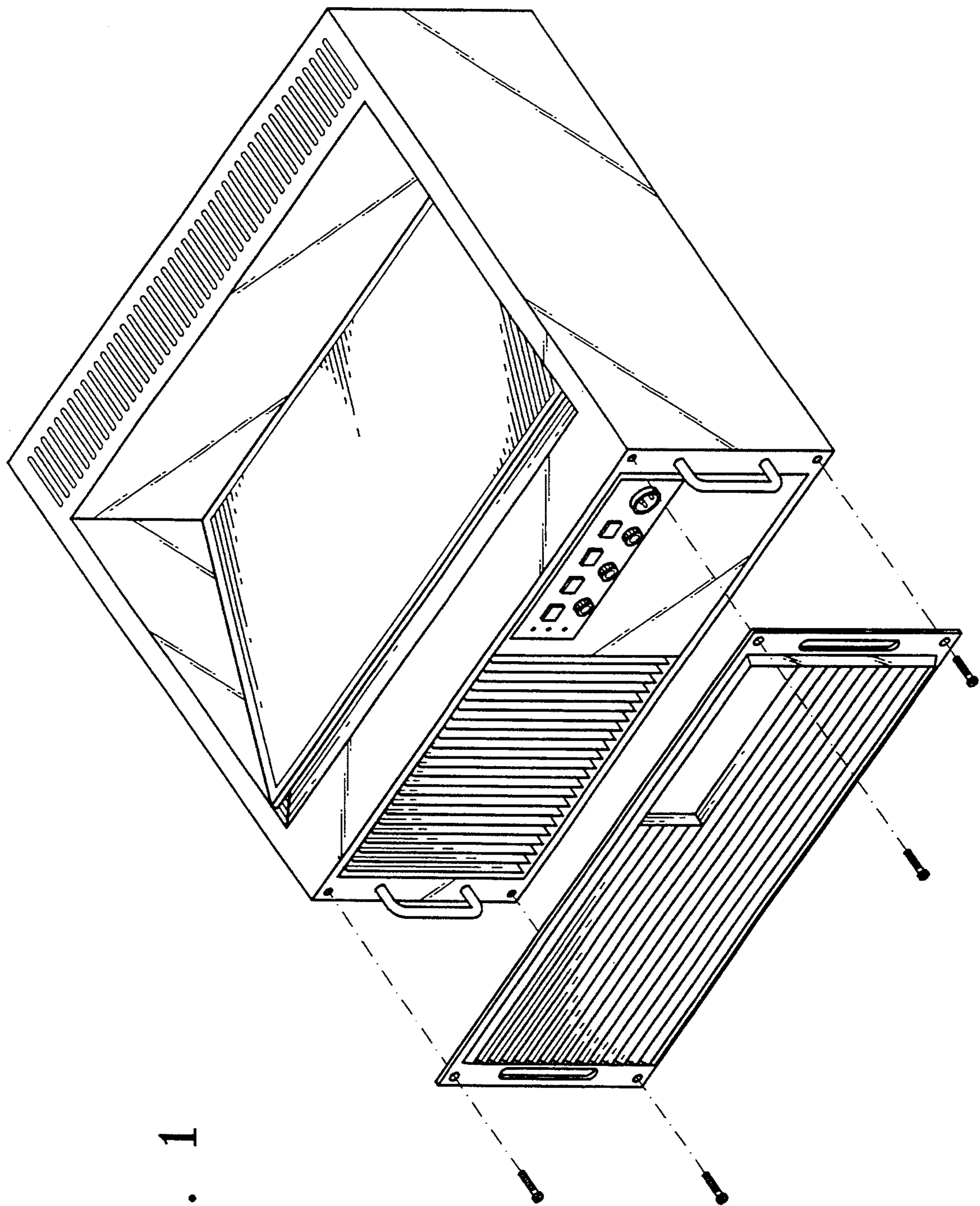


Fig. 1

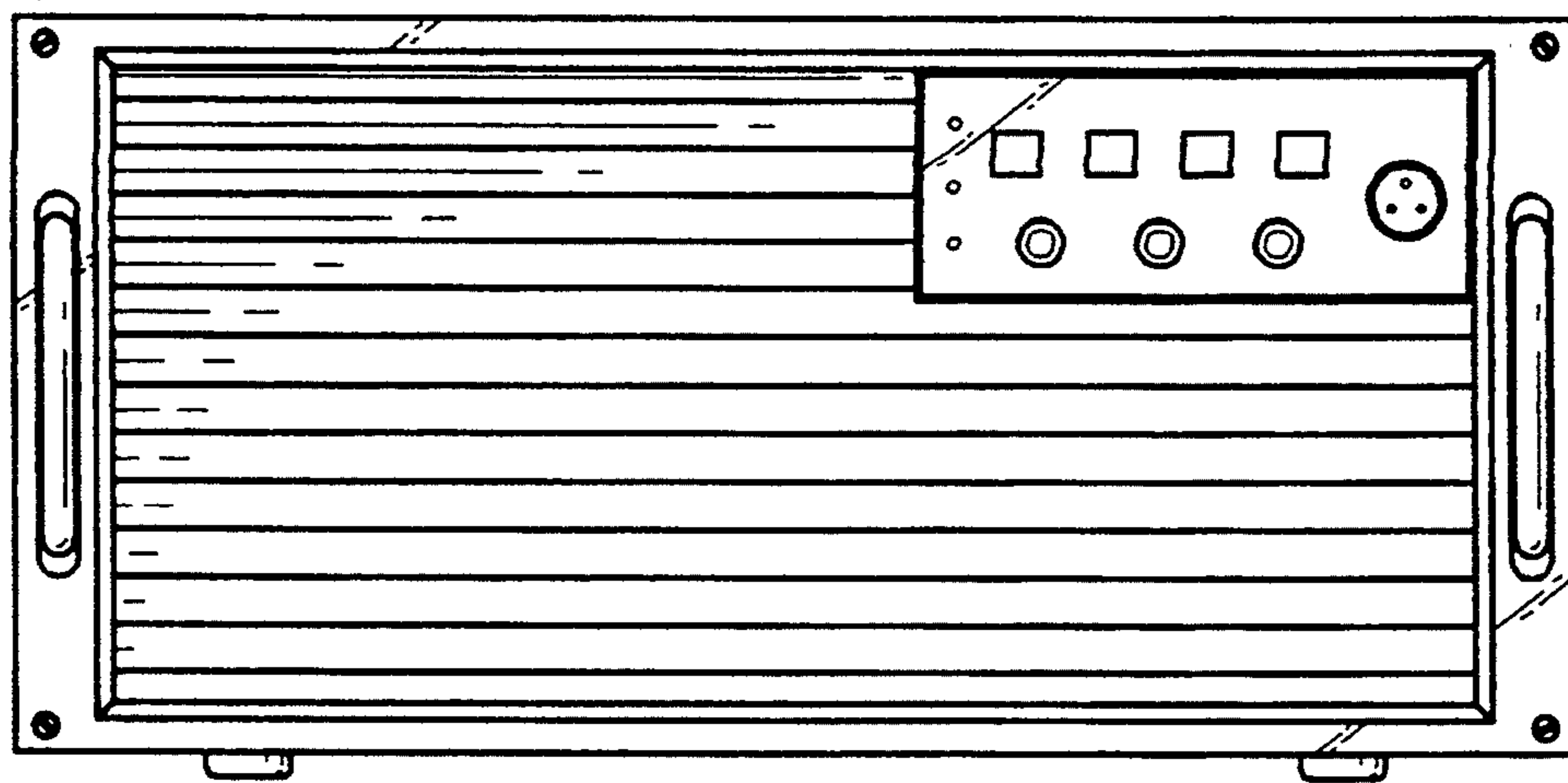


Fig. 2

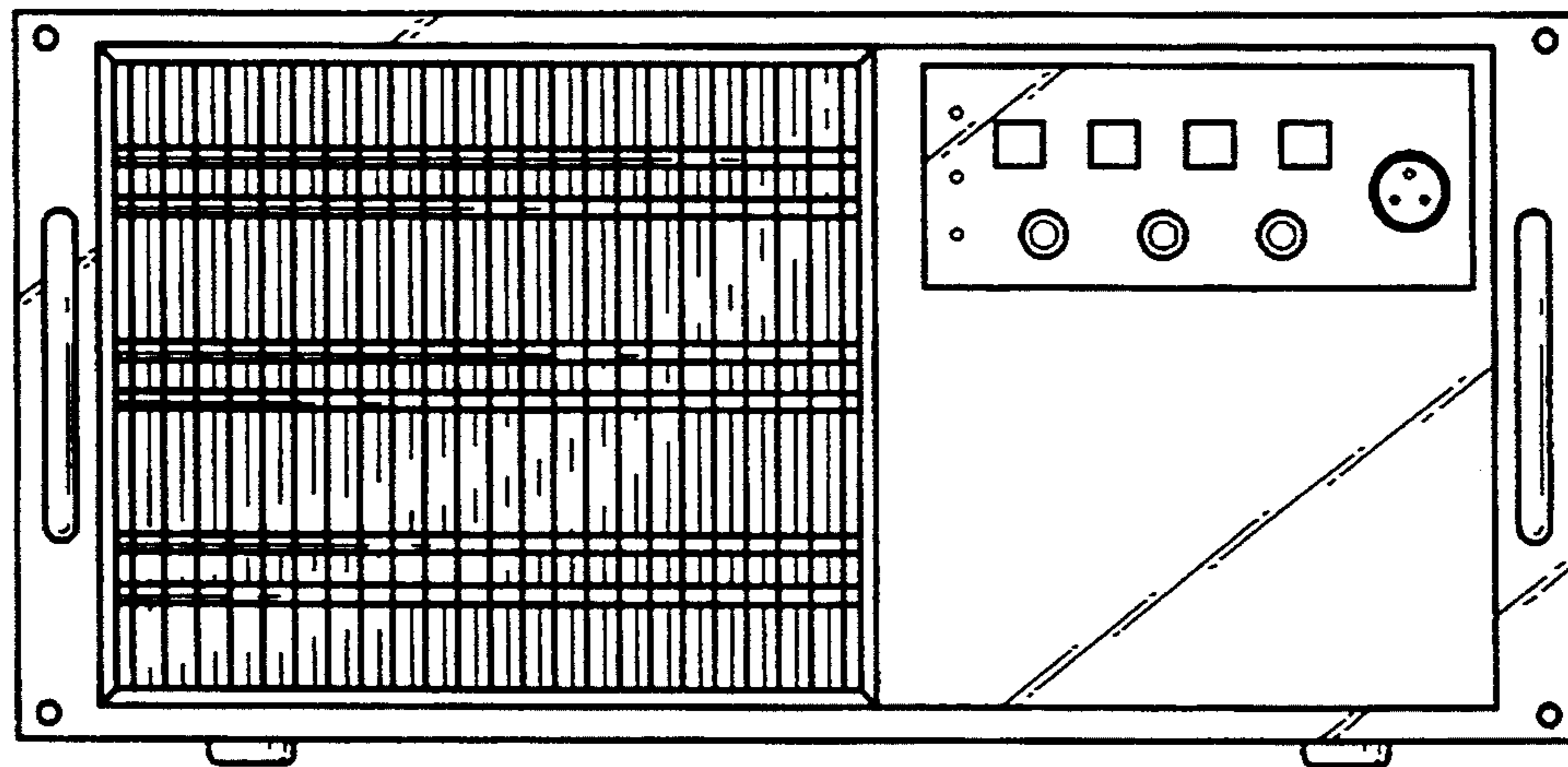


Fig. 3

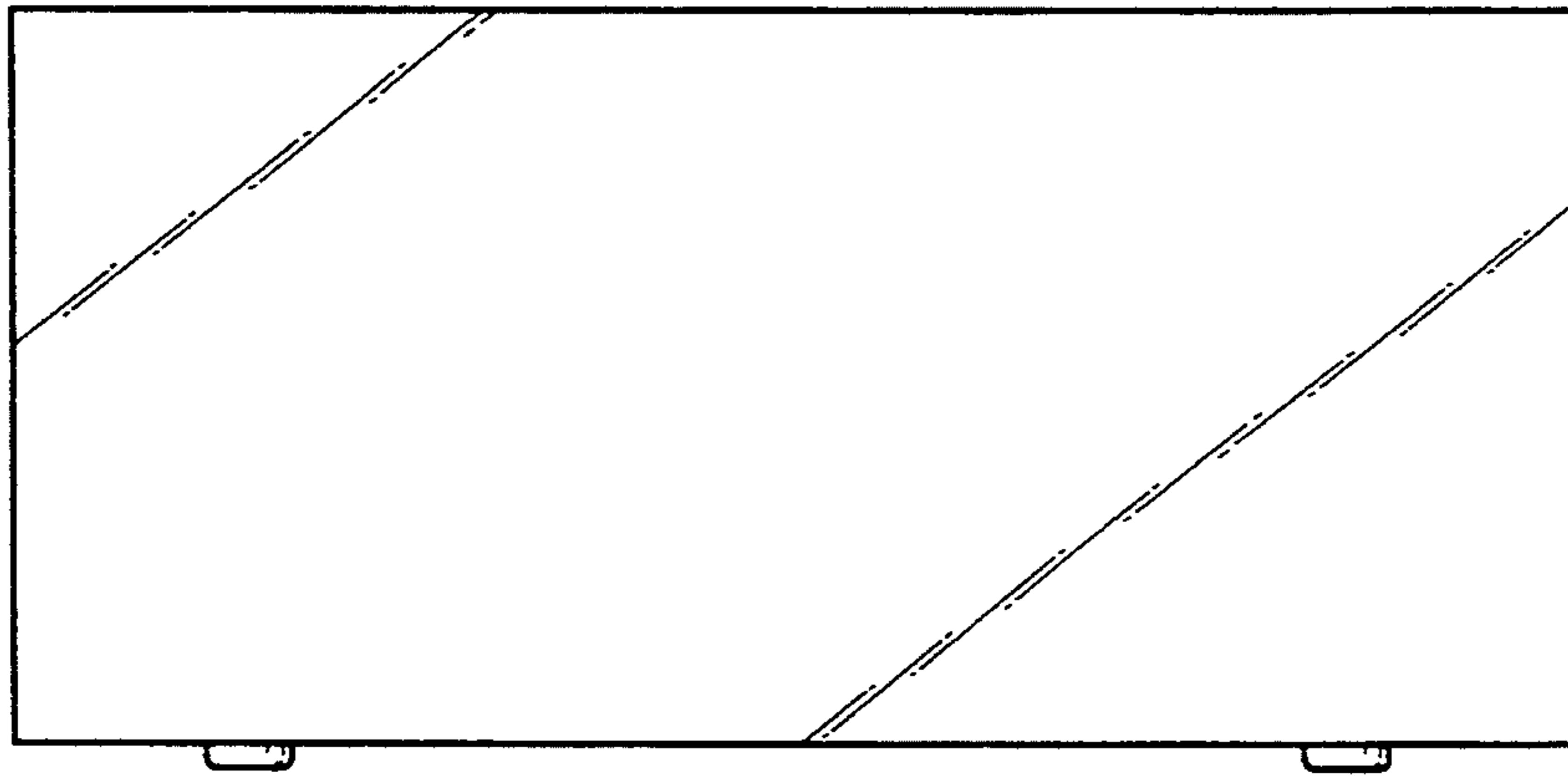


Fig. 4

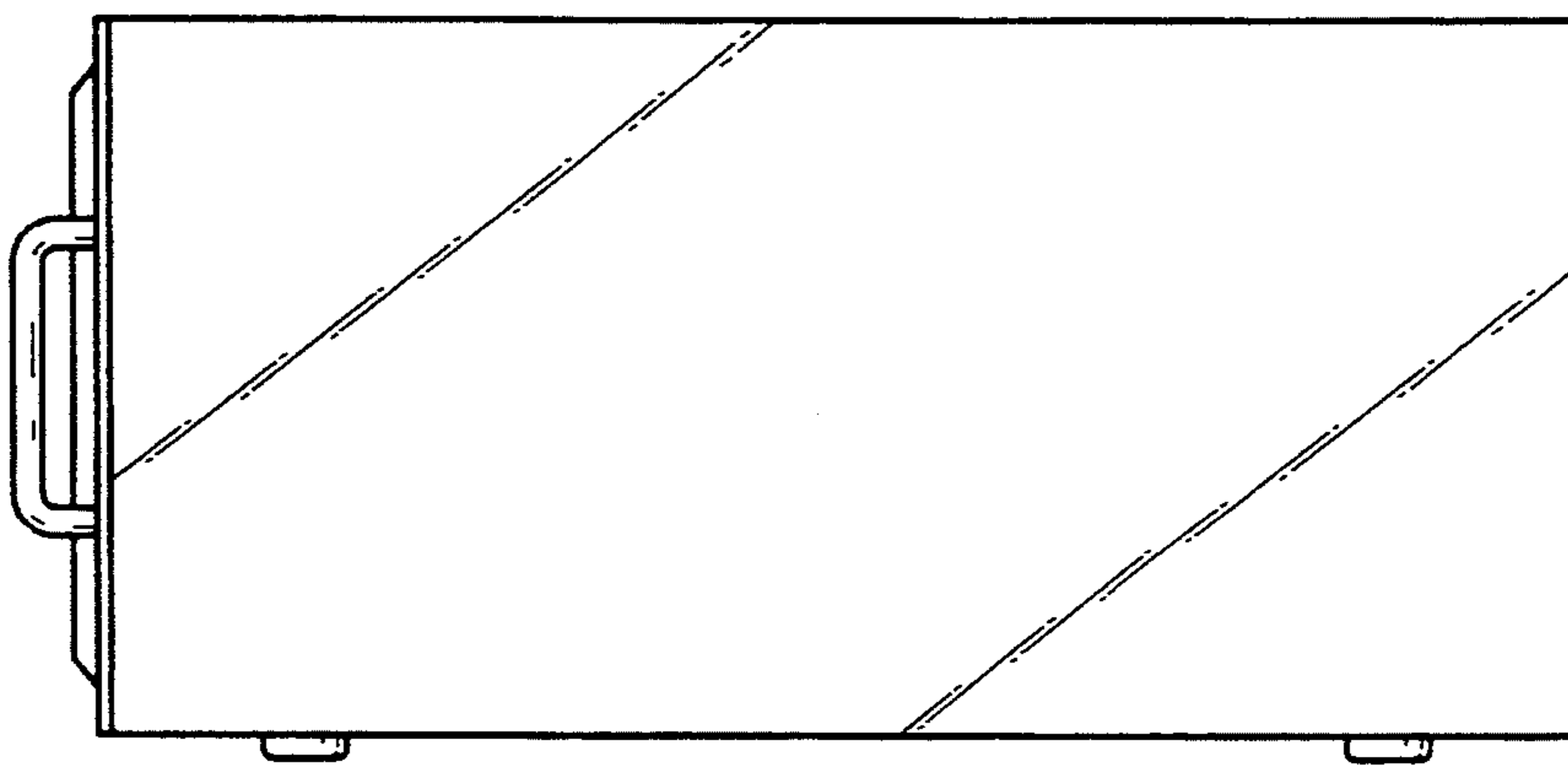


Fig. 5

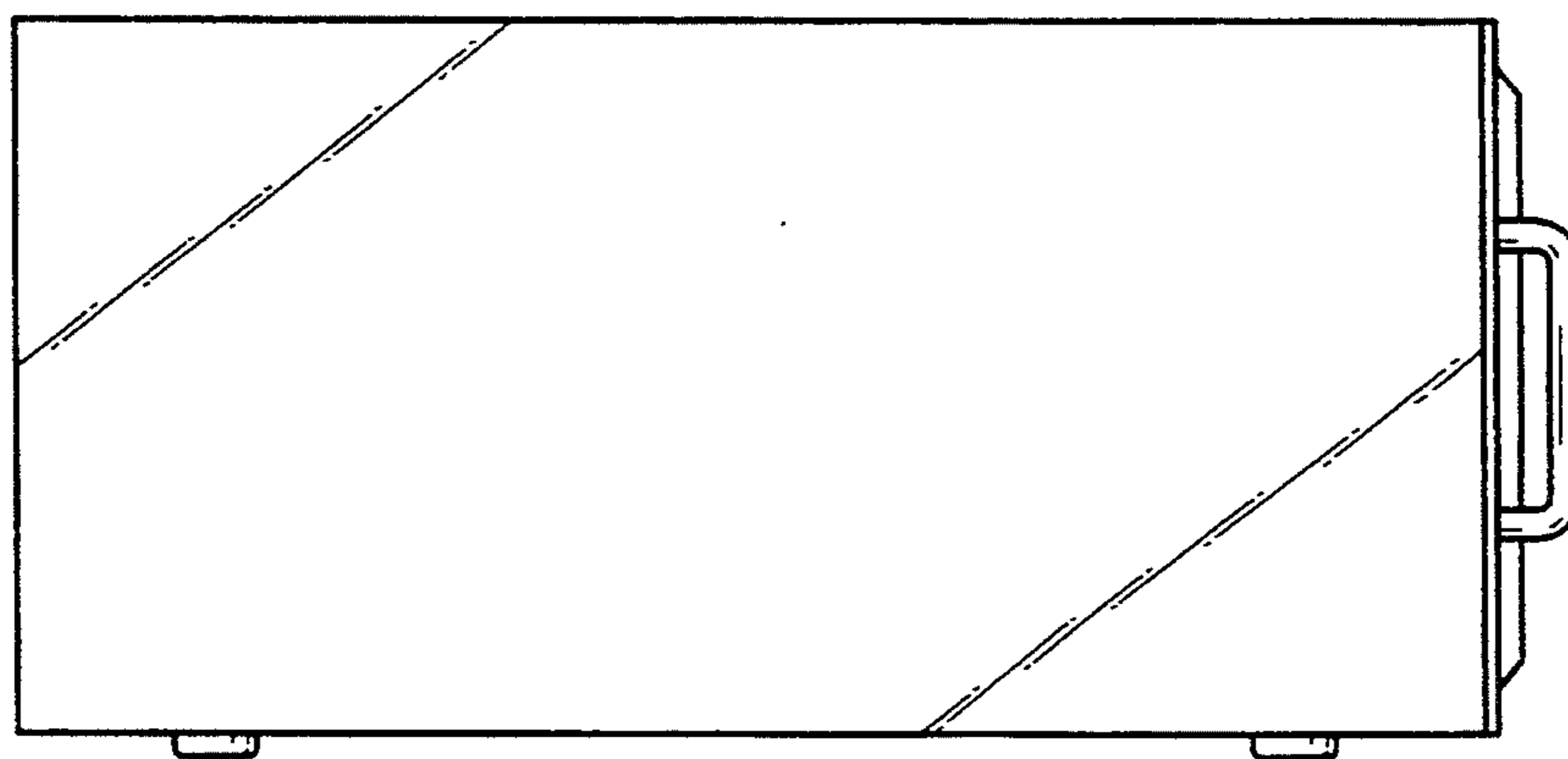


Fig. 6

Fig. 7

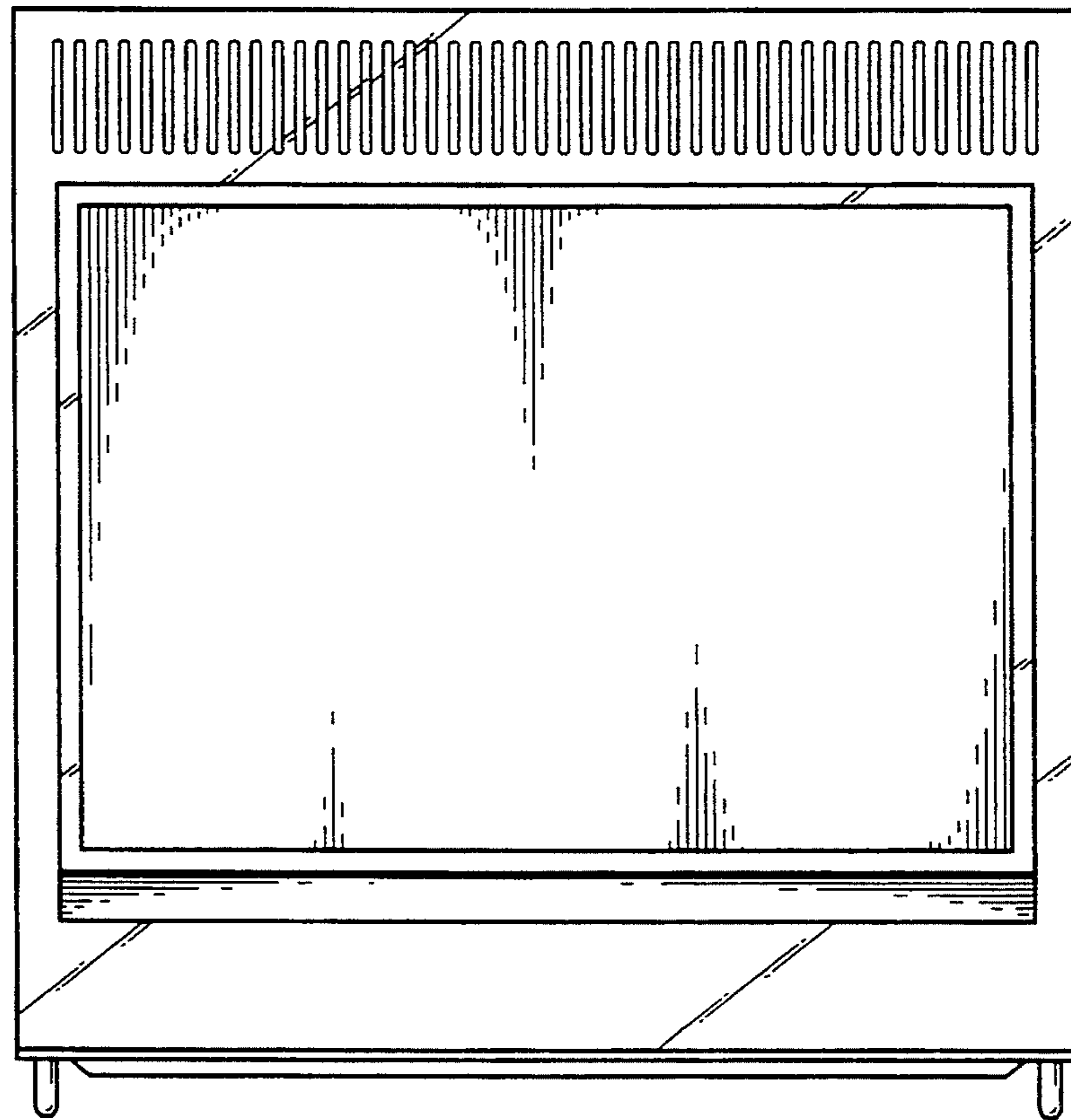
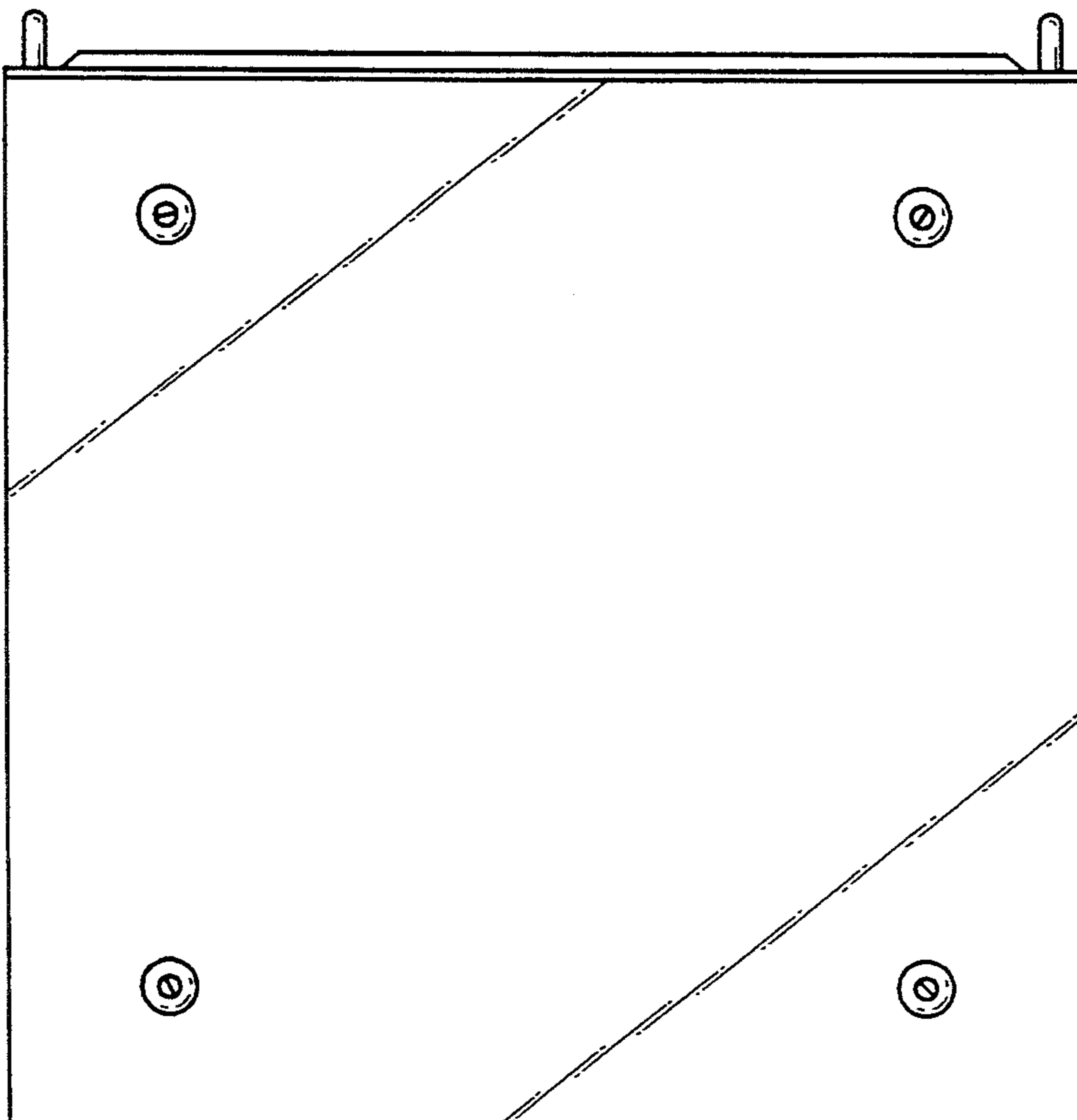


Fig. 8



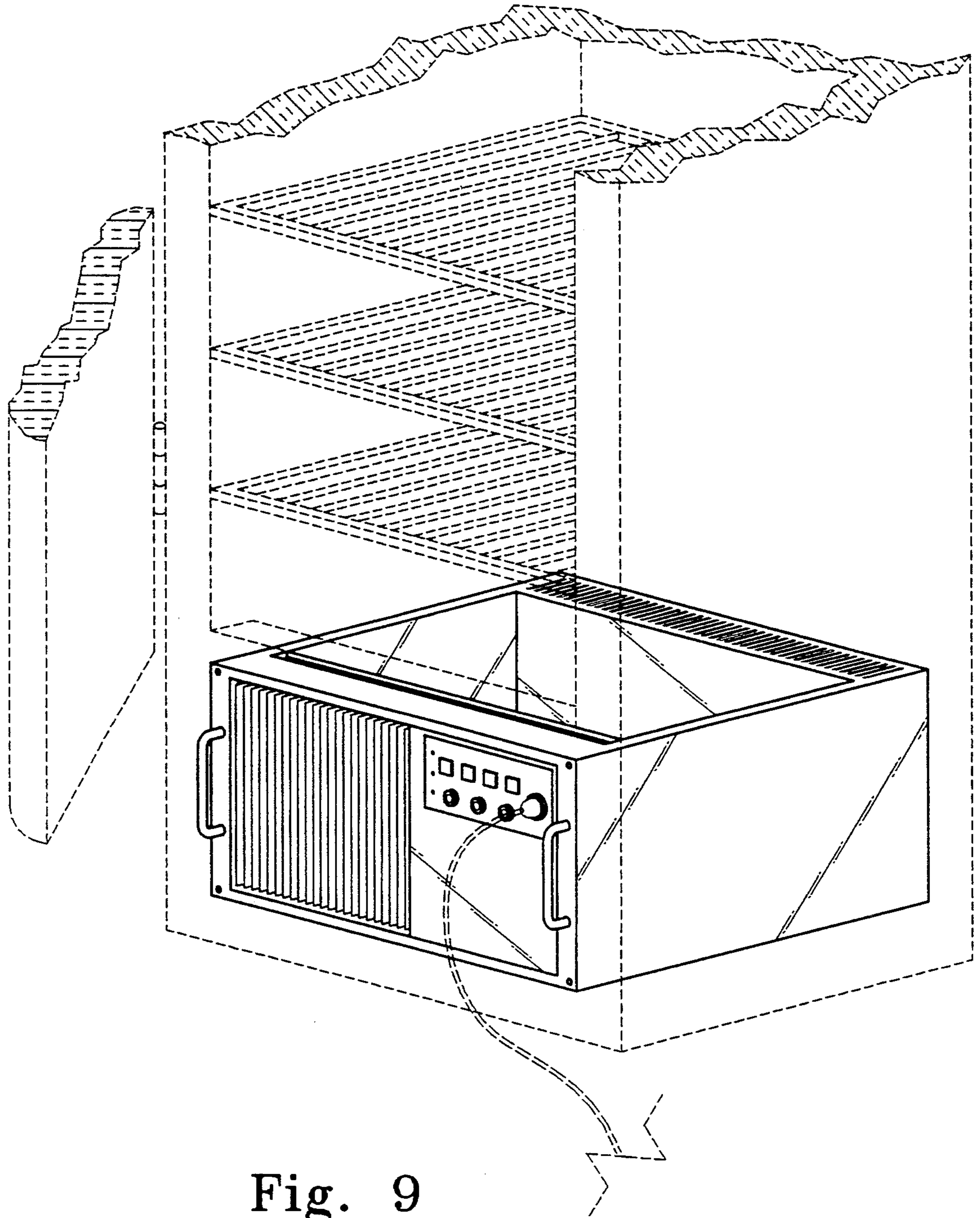


Fig. 9

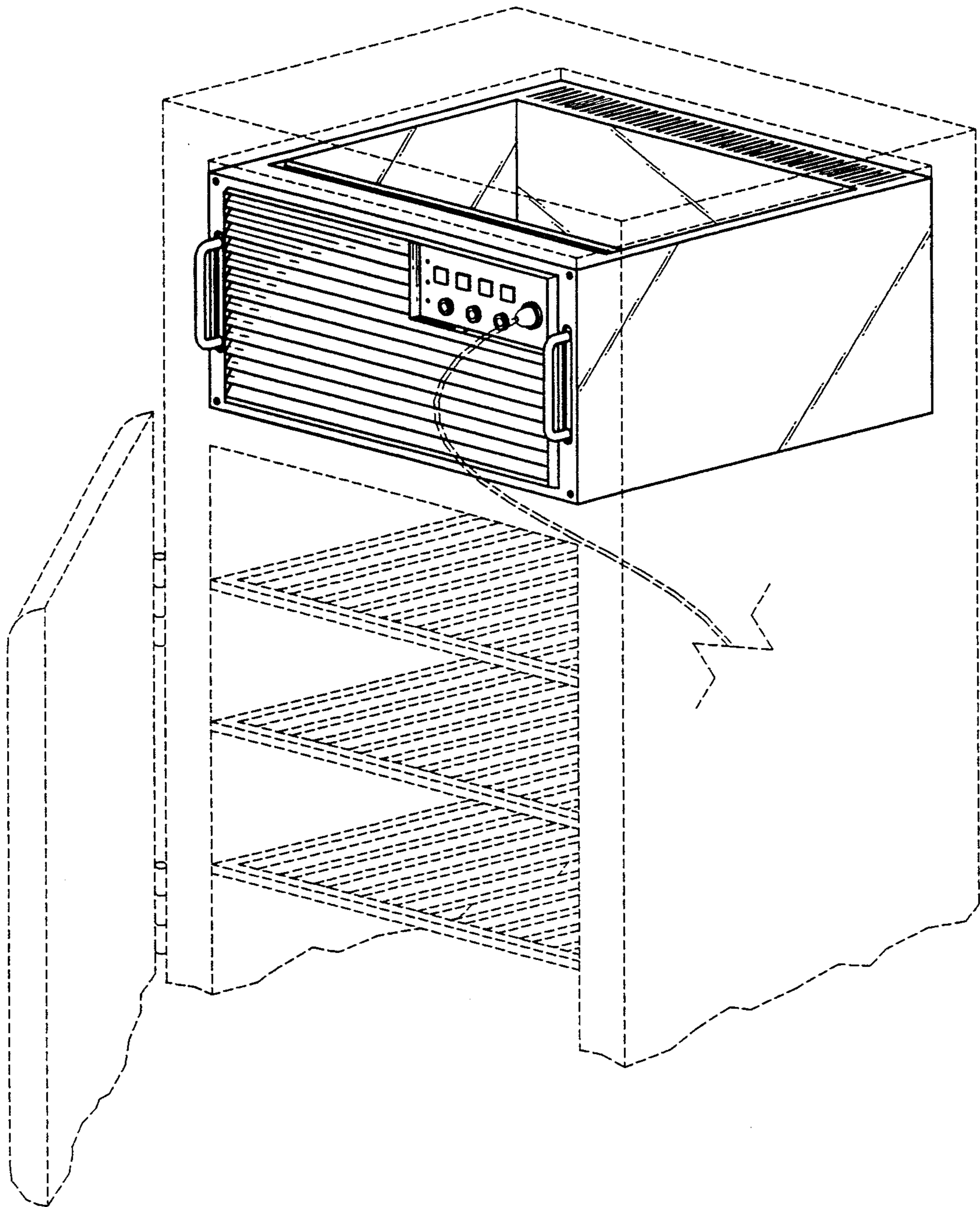


Fig. 10