



US00D350126S

United States Patent [19]

[11] Patent Number: **Des. 350,126**

Leung

[45] Date of Patent: **** Aug. 30, 1994**

[54] **COMPUTER KEYBOARD WITH BUILT-IN TRACKBALL**

D. 313,977 1/1991 Iino D14/100 X
D. 338,456 8/1993 Brunner et al. D14/106

[75] Inventor: **Chee-Chun Leung, Taipei, Taiwan**

Primary Examiner—Wallace R. Burke
Assistant Examiner—Freda S. Nunn
Attorney, Agent, or Firm—Morgan & Finnegan

[73] Assignee: **Ouanta Computer Inc., Taipei, Taiwan**

[**] Term: **14 Years**

[57] **CLAIM**

[21] Appl. No.: **3,824**

The ornamental design for computer keyboard with built-in trackball, as shown and described.

[22] Filed: **Jan. 19, 1993**

DESCRIPTION

[52] U.S. Cl. **D14/115**

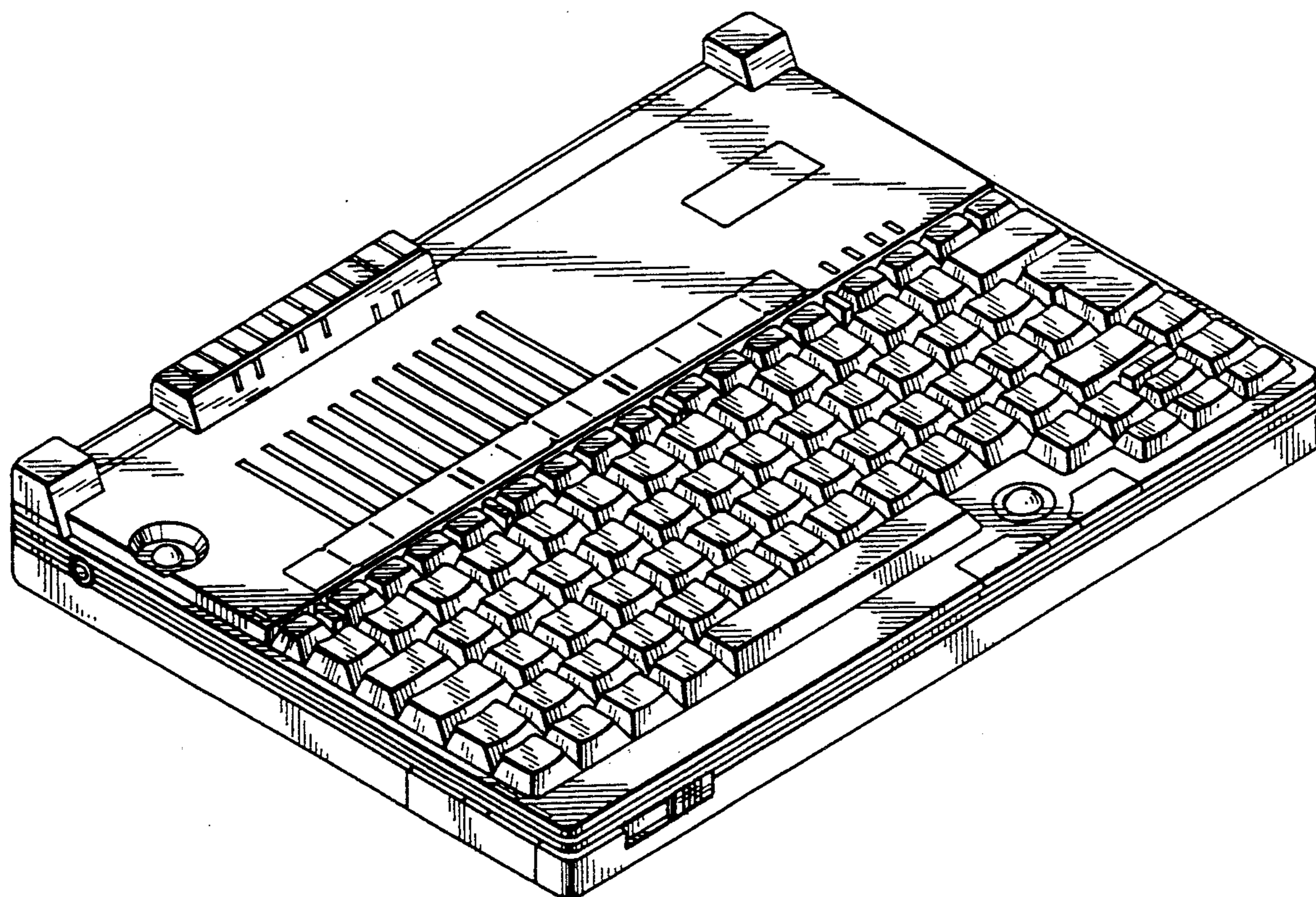
[58] Field of Search 341/22, 23; 345/167, 345/168, 169, 172, 164; 235/145 A, 145 R; 364/708, 709.04, 709.12; 400/486, 489; D14/100, 101, 106, 115; D18/1, 7, 11, 12

FIG. 1 is a perspective view of computer keyboard with built-in trackball showing my new design; FIG. 2 is a front elevational view thereof; FIG. 3 is a rear elevational view thereof; FIG. 4 is a left elevational view thereof; FIG. 5 is a right side elevational view thereof; FIG. 6 is a top plan view thereof; FIG. 7 is a bottom plan view thereof; and, FIG. 8 is a rear elevational view of a second embodiment thereof, the undisclosed views are identical in appearance to the first embodiment.

[56] **References Cited**

U.S. PATENT DOCUMENTS

D. 285,201 8/1986 Kim D14/100
D. 285,923 9/1986 Takahashi et al. D14/100
D. 296,553 7/1988 Takahashi D14/100



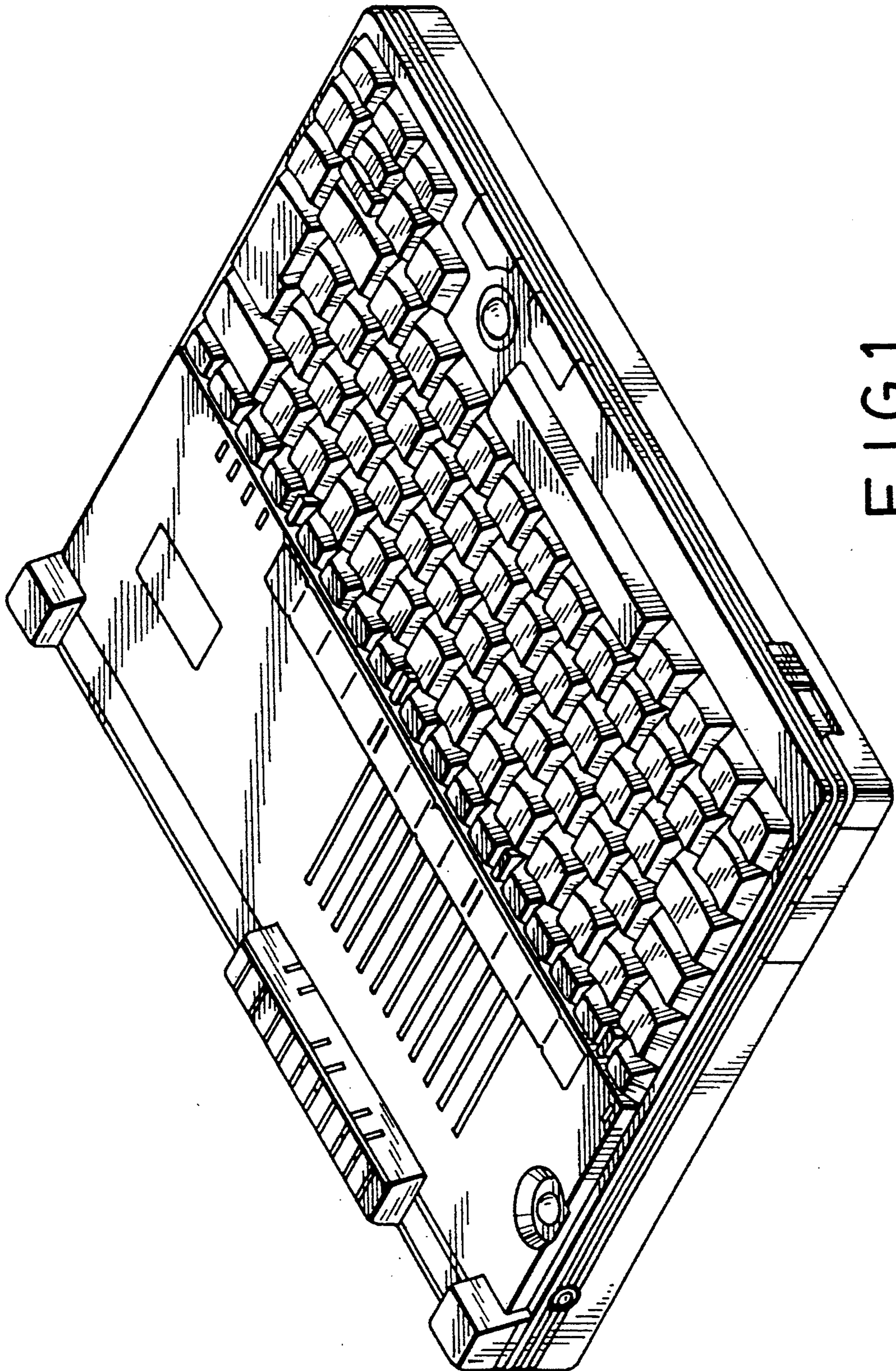


FIG. 1

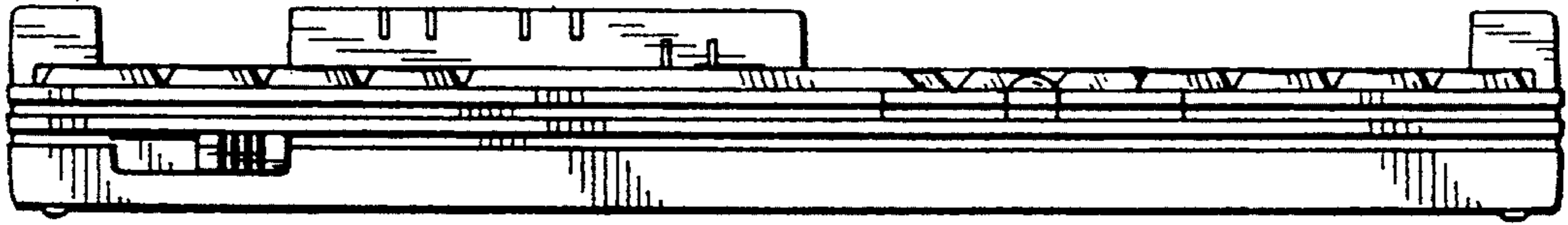


FIG. 2

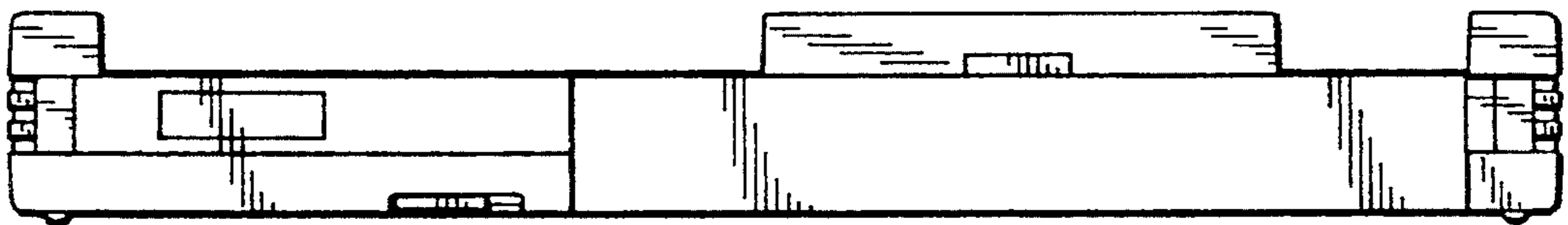


FIG. 3

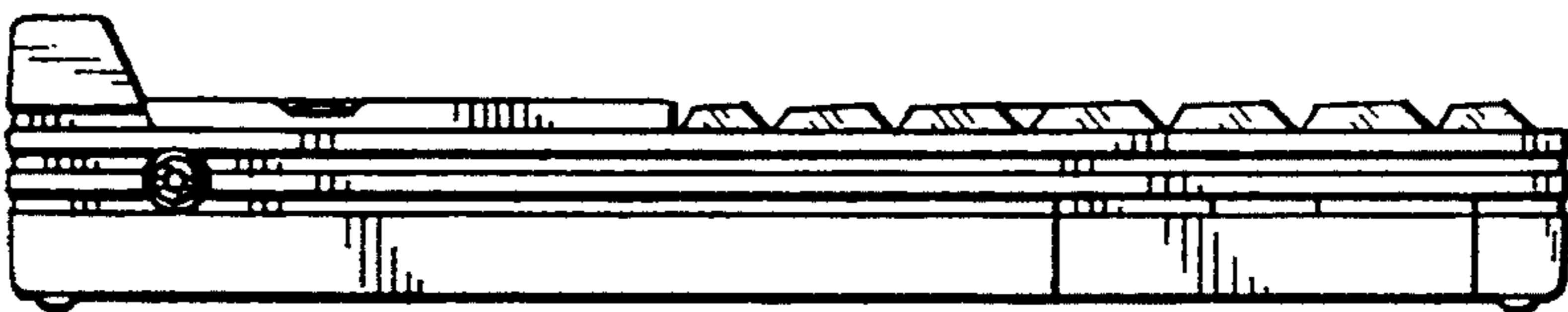


FIG. 4

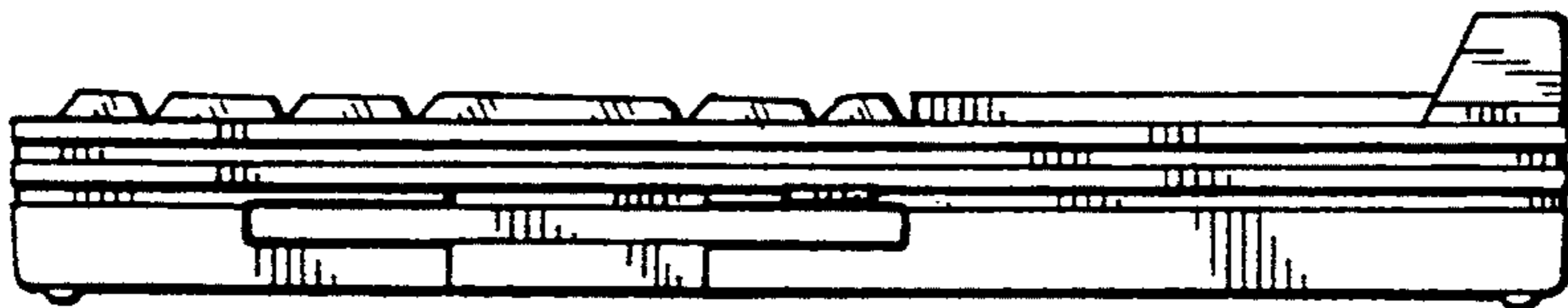


FIG. 5

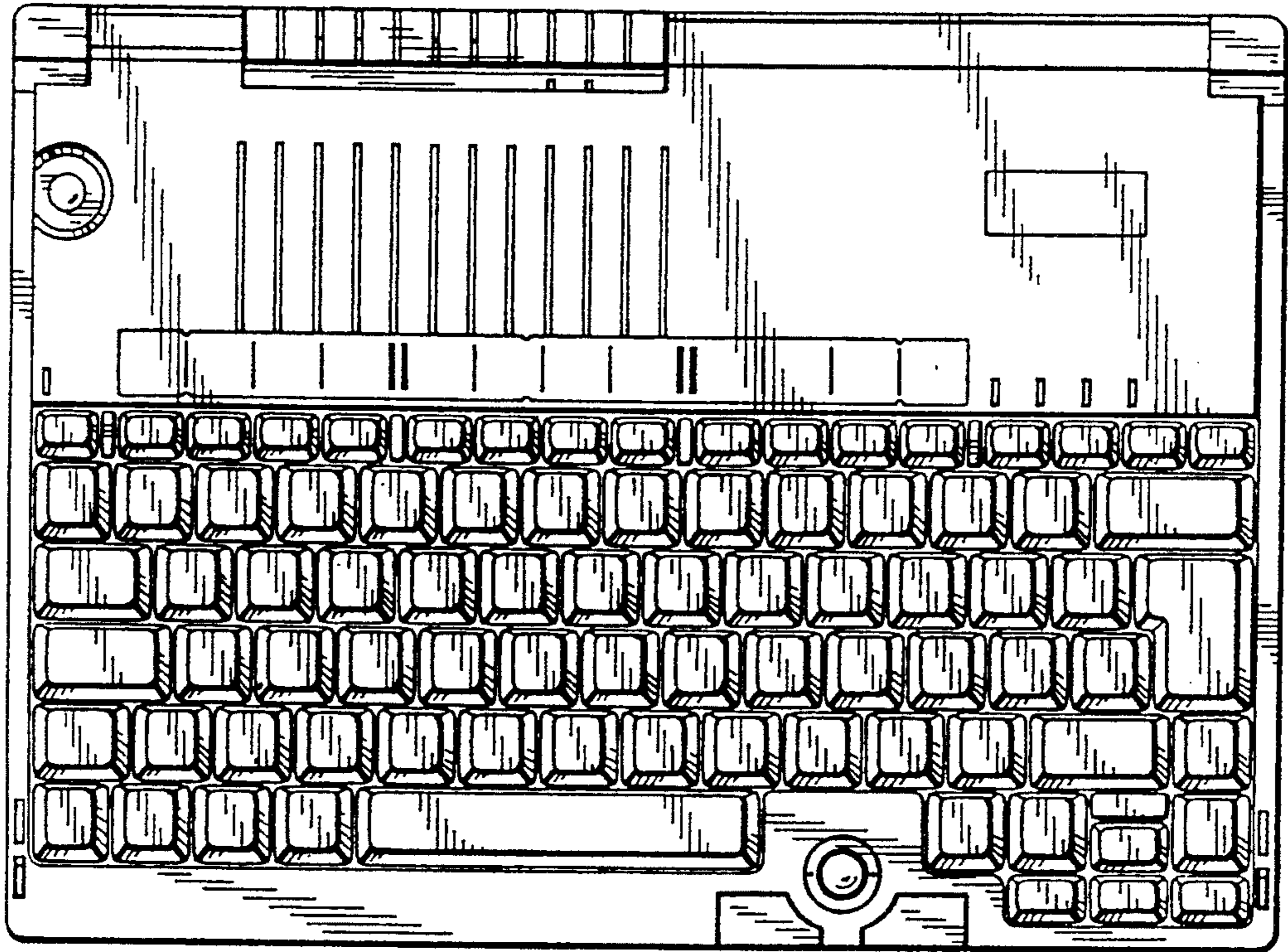


FIG. 6

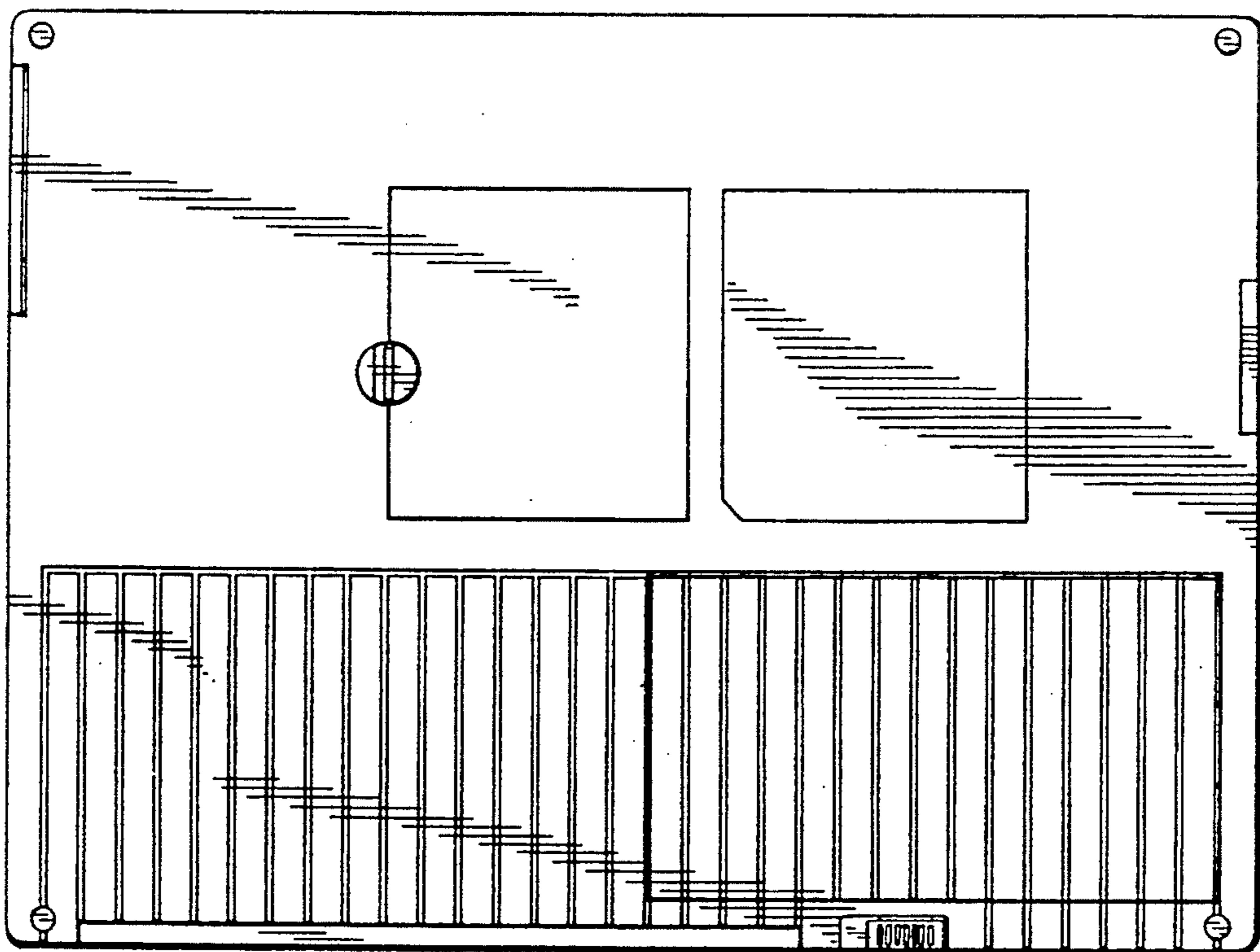


FIG. 7

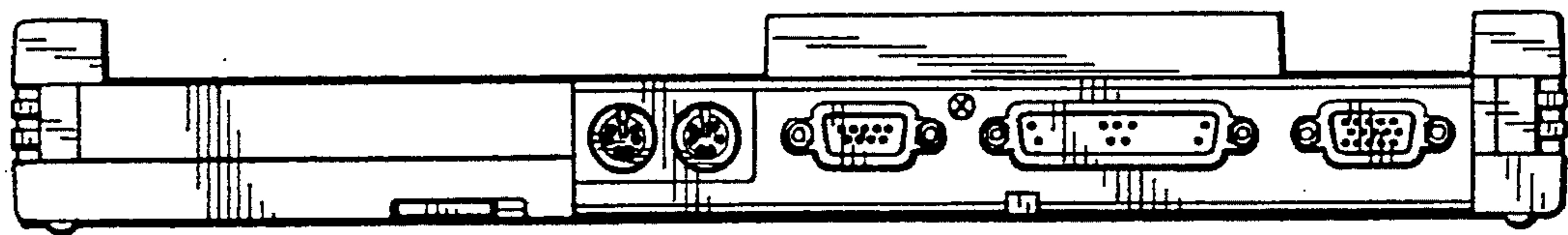


FIG. 8