



US00D350122S

United States Patent [19] Ratzlaff

[11] Patent Number: **Des. 350,122**
[45] Date of Patent: **** Aug. 30, 1994**

[54] DISPLAY MONITOR

[75] Inventor: **Joerg Ratzlaff**, Altensteig, Fed. Rep. of Germany

[73] Assignee: **International Business Machines Corp.**, Armonk, N.Y.

[**] Term: **14 Years**

[21] Appl. No.: **914,694**

[22] Filed: **Jul. 15, 1992**

[30] **Foreign Application Priority Data**

Jan. 18, 1992 [DE] Fed. Rep. of Germany M9200317.6

[52] U.S. Cl. **D14/113**

[58] Field of Search 340/700, 706; 358/249, 358/254; 361/390-395; D14/100, 101, 106, 113, 124-126

[56] **References Cited**

U.S. PATENT DOCUMENTS

- D. 292,213 10/1987 Nezu et al. D14/113
- D. 314,563 2/1991 Maurer et al. D14/113
- D. 326,260 5/1992 Oshima D14/113
- D. 330,017 10/1992 Falkner et al. D14/113

Primary Examiner—Wallace R. Burke
Assistant Examiner—Freda S. Nunn
Attorney, Agent, or Firm—Romualdas Strimaitis; Anthony N. Magistrale

[57] **CLAIM**

The ornamental design for a display monitor, as shown and described.

DESCRIPTION

FIG. 1 is a reduced top front and right side perspective view of a display monitor showing my new design; FIG. 2 is a front view; FIG. 3 is a rear view; FIG. 4 is a top view; FIG. 5 is a bottom view; FIG. 6 is a left side view; and, FIG. 7 is a right side view.

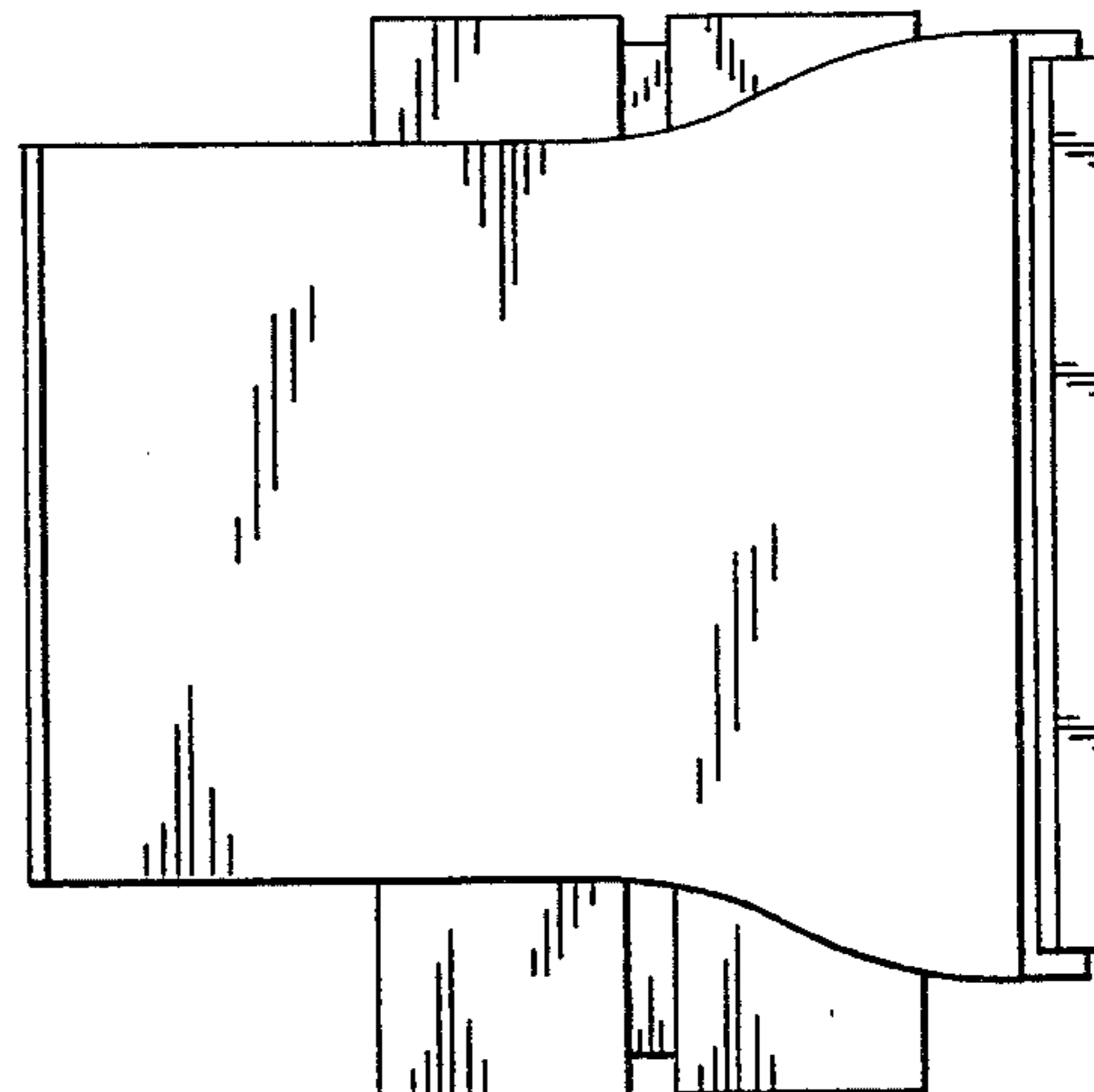
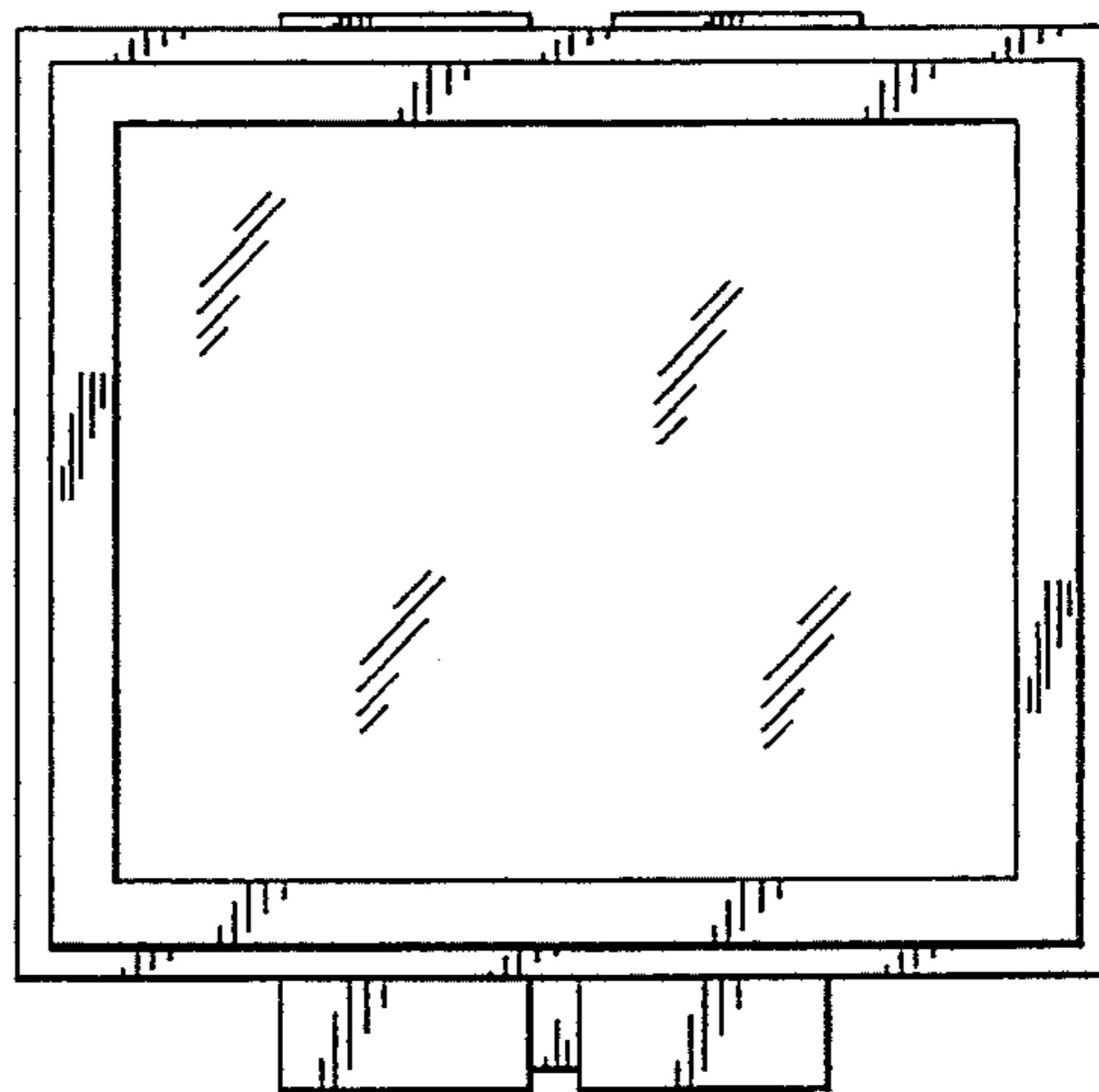
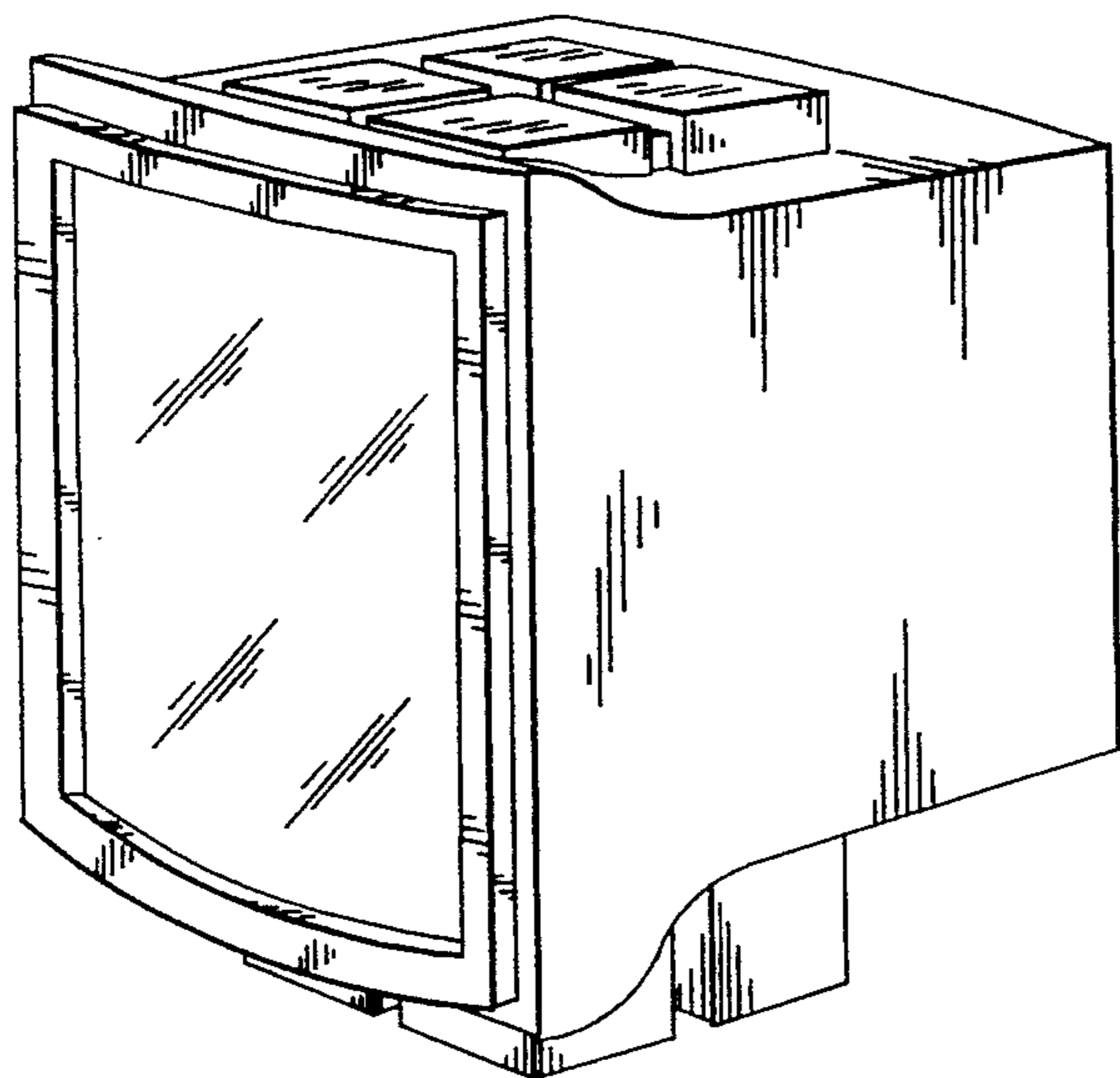
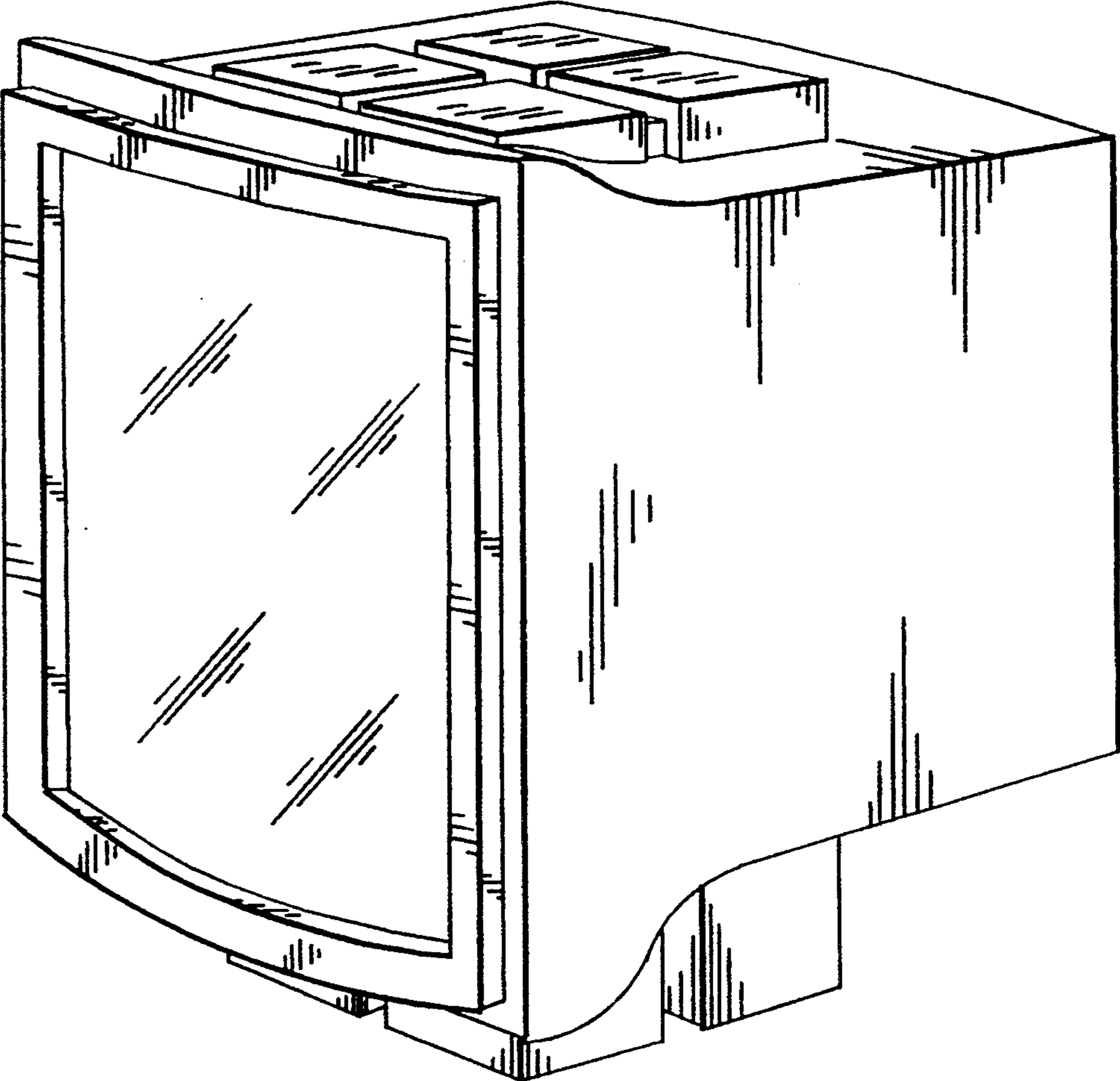


FIG. 1



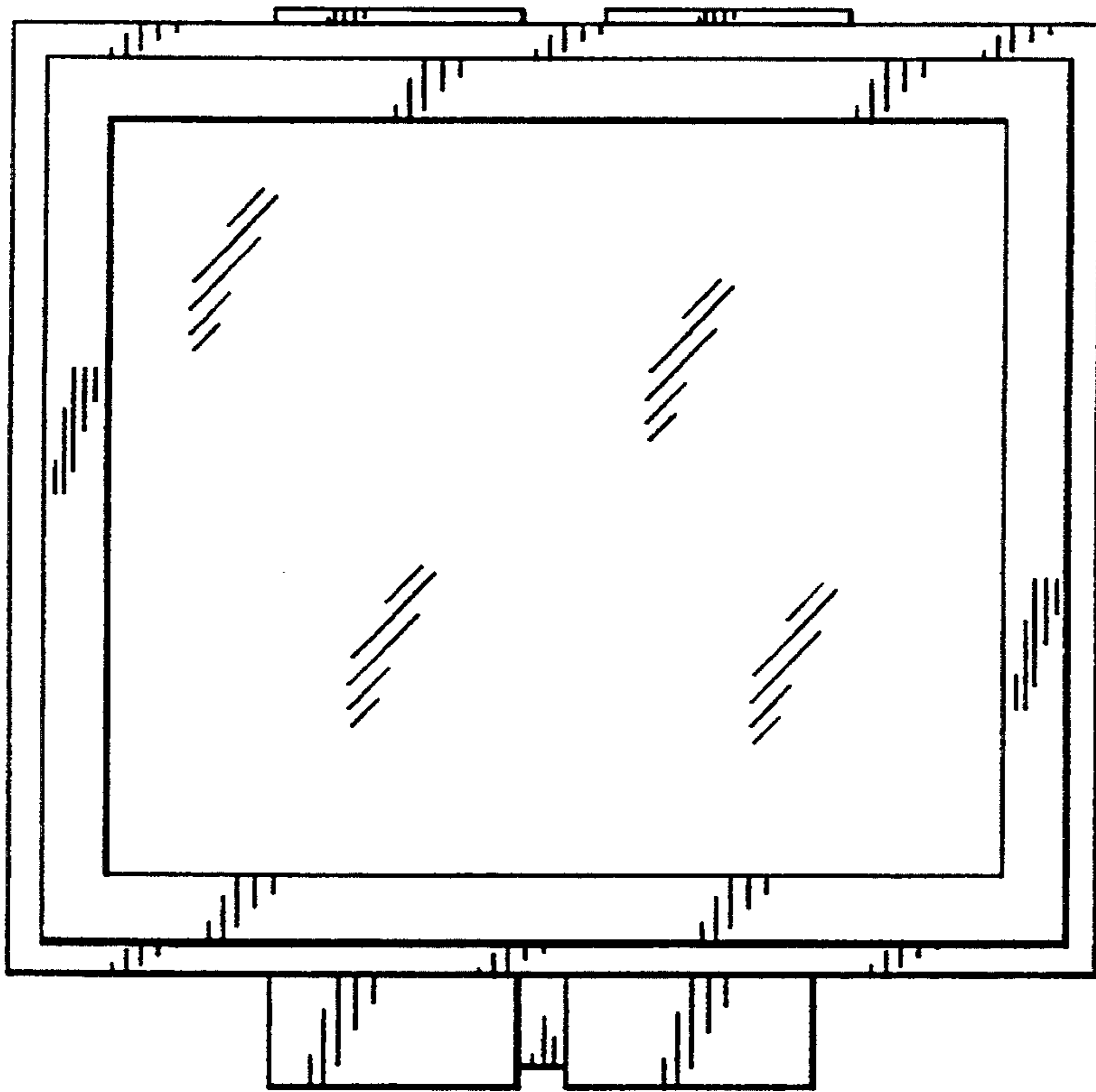


FIG. 2

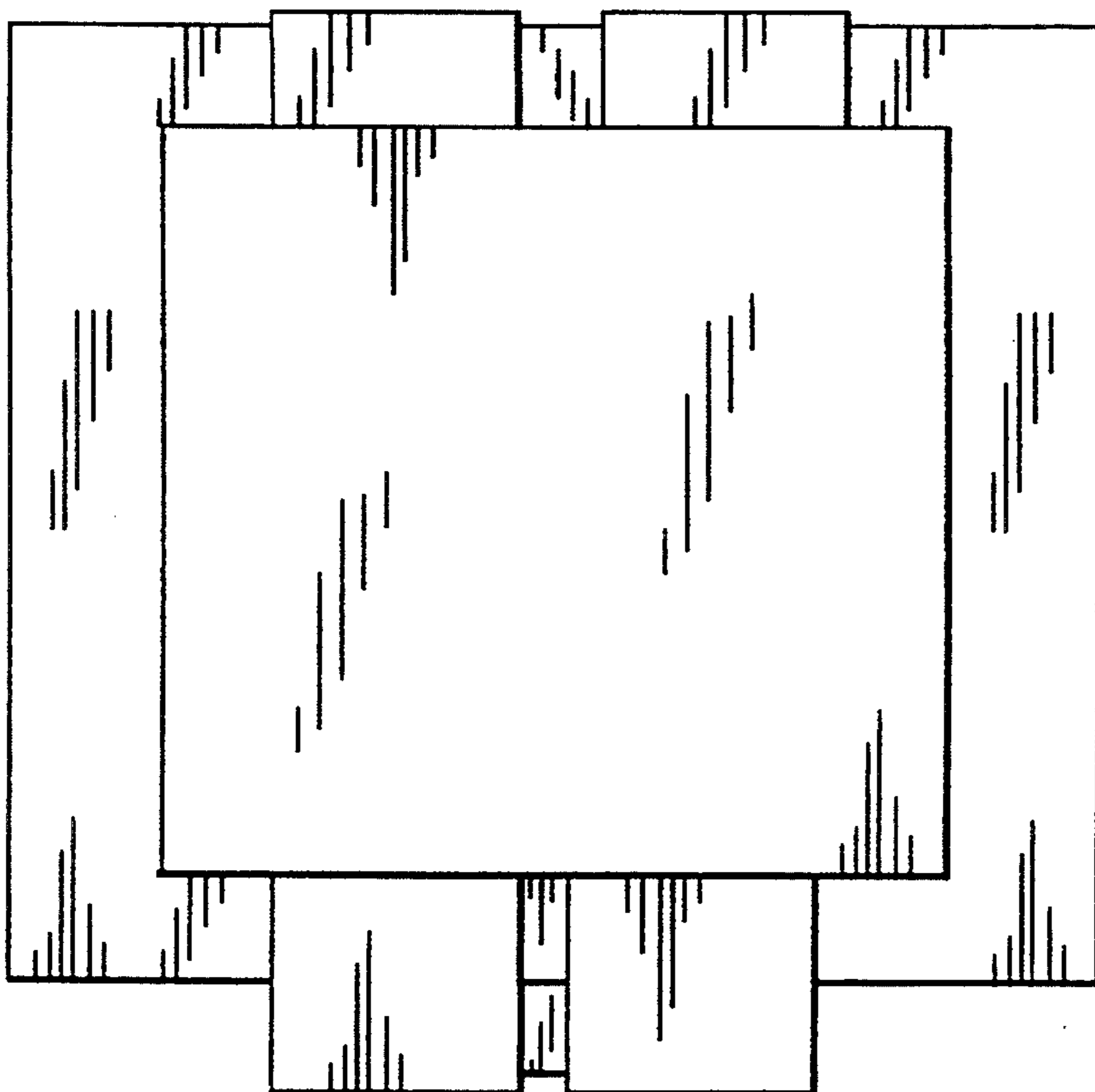


FIG. 3

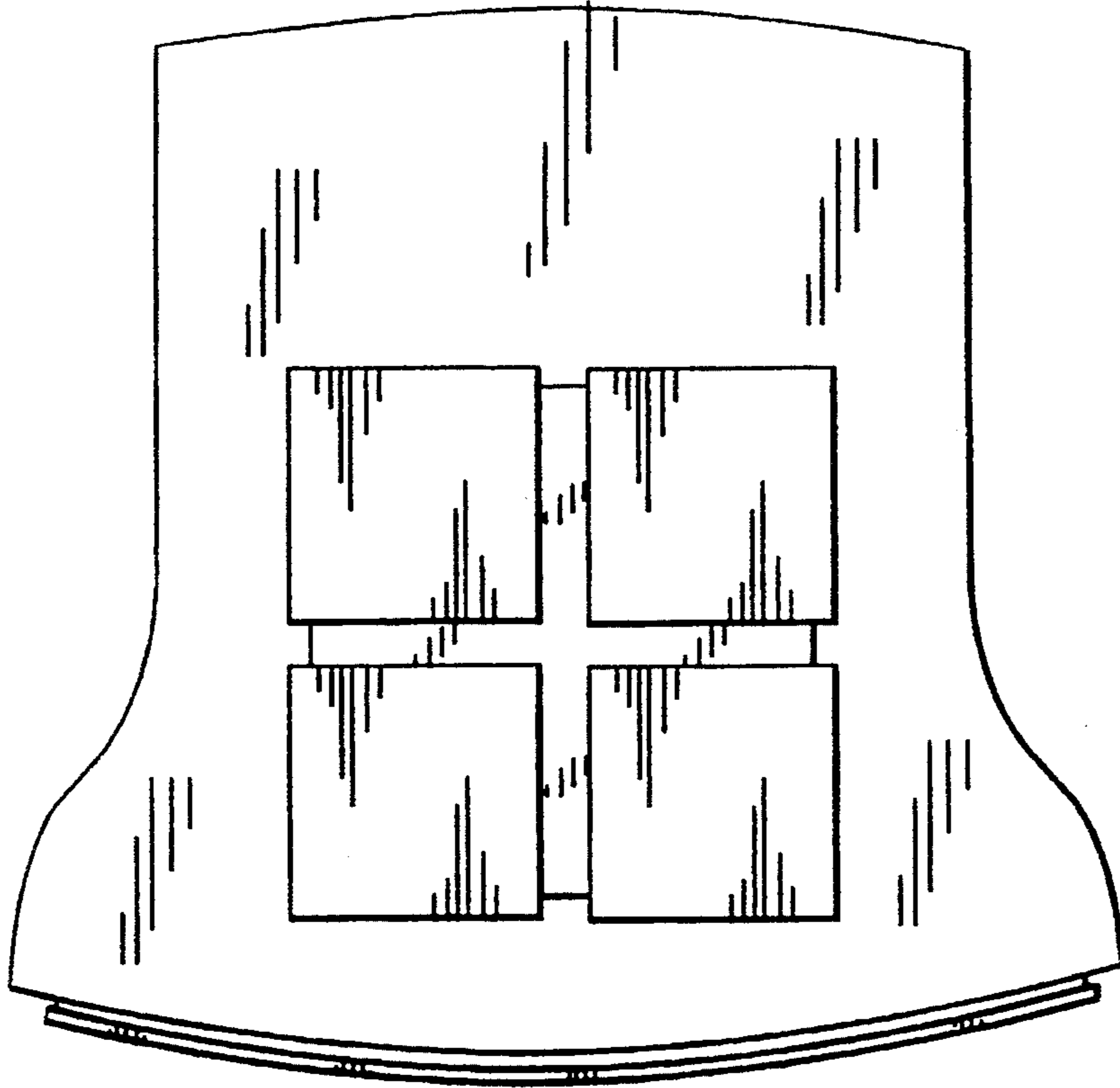


FIG. 4

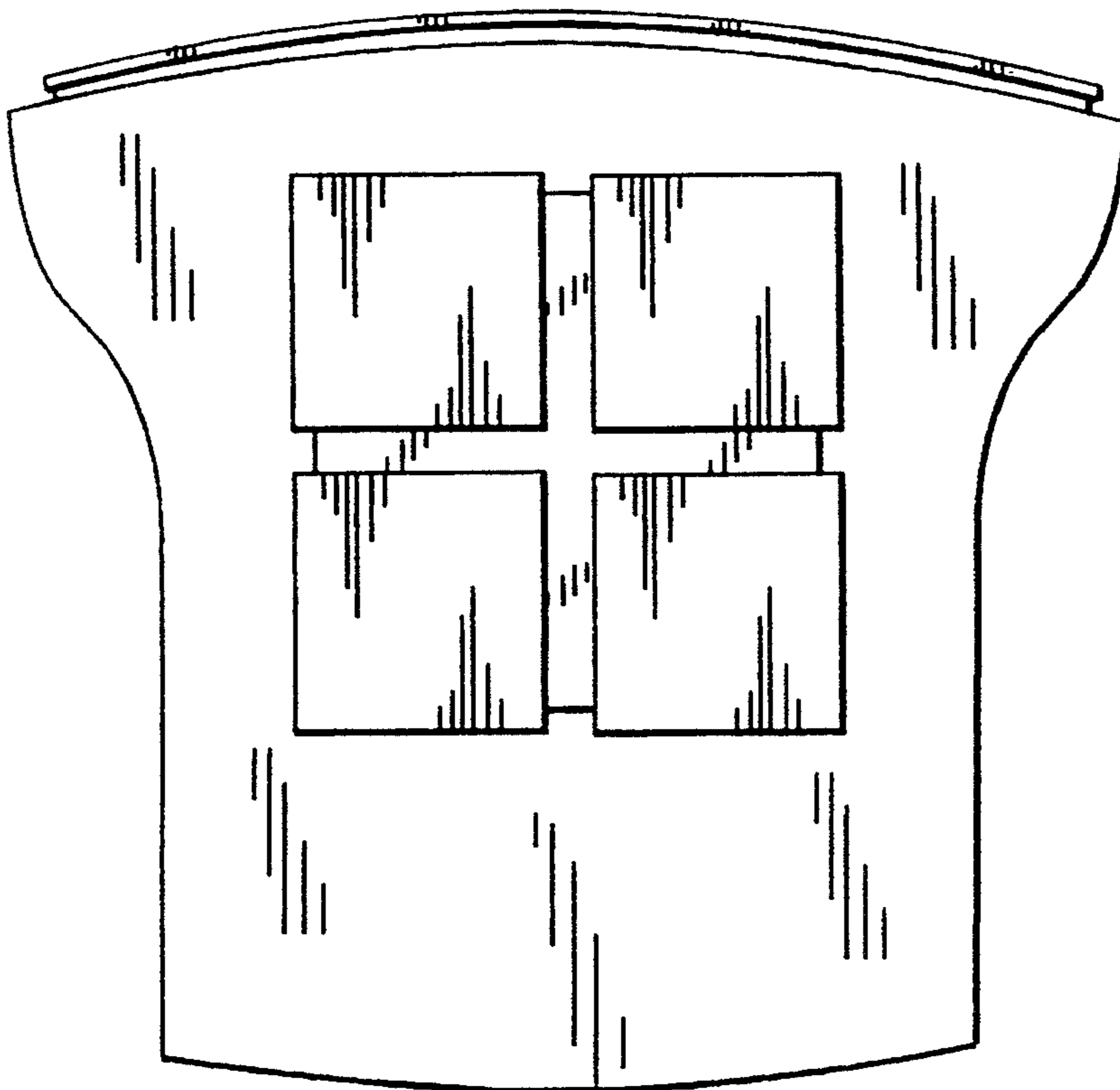


FIG. 5

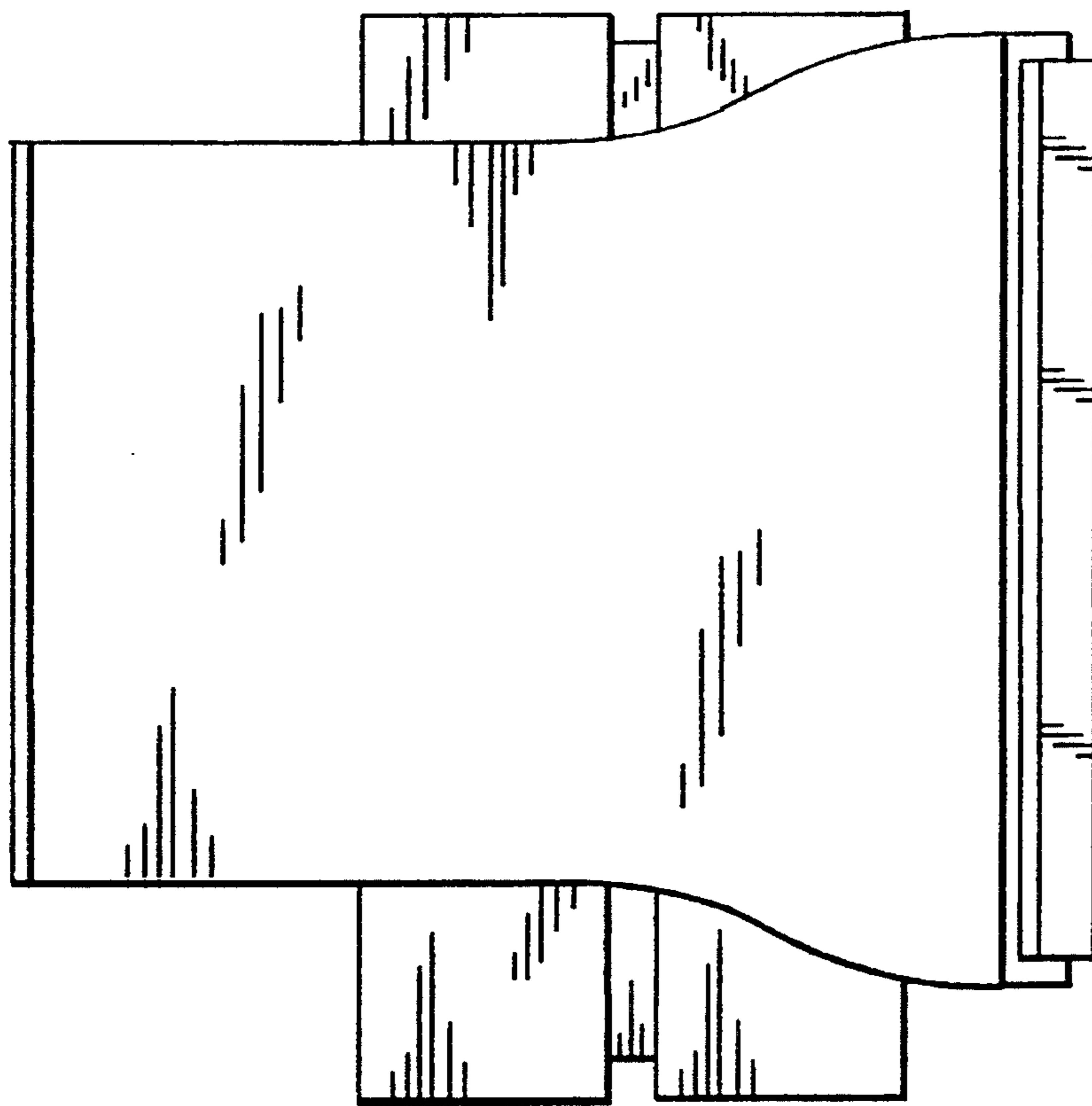


FIG. 6

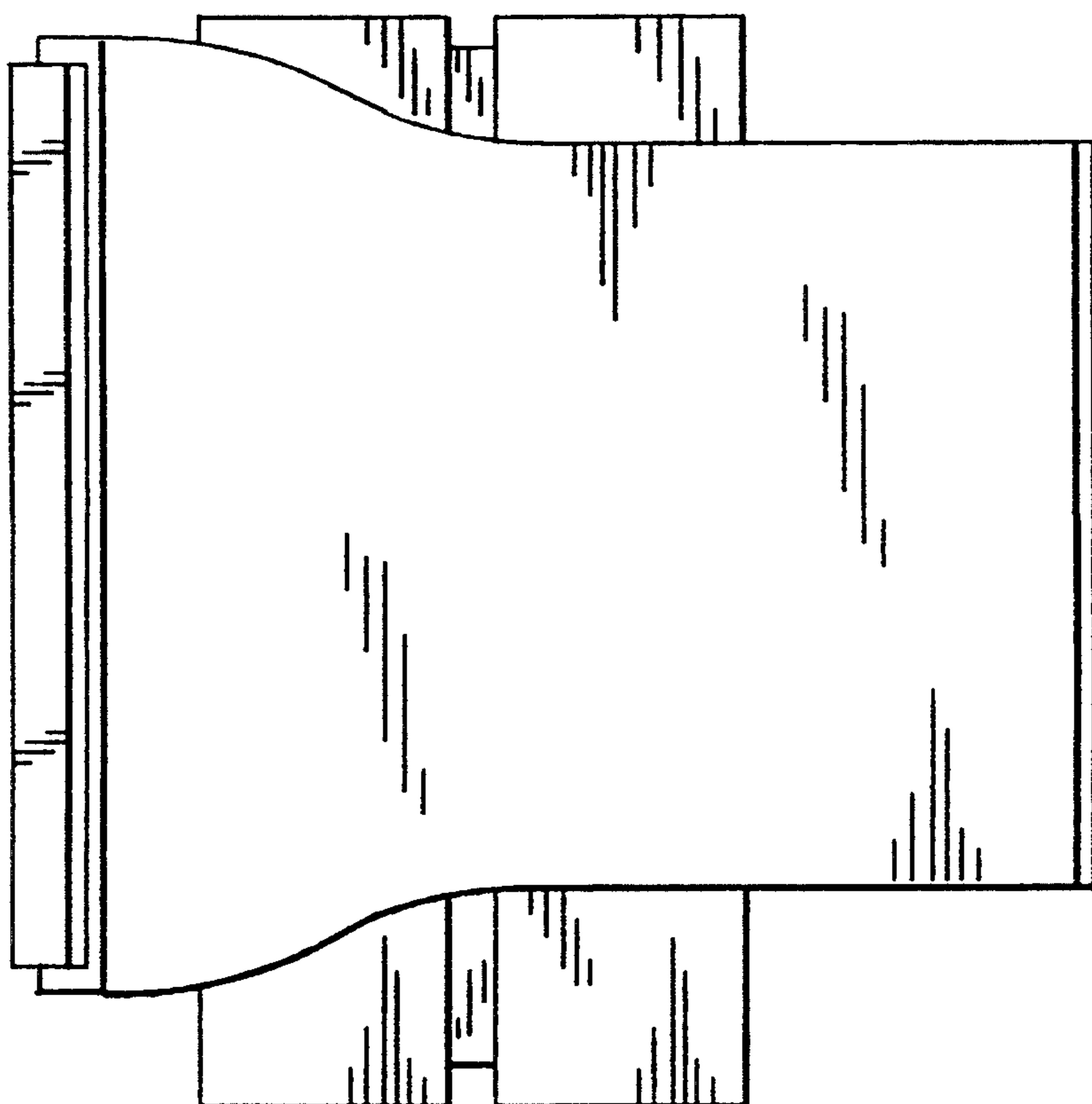


FIG. 7