



US00D350120S

United States Patent [19]

[11] Patent Number: Des. 350,120

Tsuboi et al.

[45] Date of Patent: ** Aug. 30, 1994

[54] COMBINED READER AND WRITER FOR INFORMATION RECORDING CARDS

0798825 10/1990 Japan .

[75] Inventors: Hideki Tsuboi, Koganei; Akihiko Konno, Tokyo, both of Japan

[73] Assignee: Kabushiki Kaisha Toshiba, Kawasaki, Japan

[**] Term: 14 Years

[21] Appl. No.: 5,468

[22] Filed: Feb. 24, 1993

[30] Foreign Application Priority Data

Aug. 24, 1992 [JP]	Japan	4-24715
[52] U.S. Cl.	D14/105	
[58] Field of Search	235/380, 382, 382.5,	
		235/379, 493, 462, 472; 382/2, 7, 58, 59;	
		364/709.05, 709.06; D14/100, 105, 107	

[56] References Cited

U.S. PATENT DOCUMENTS

D. 204,940	5/1966	Loose	D14/107
4,709,136	11/1987	Watanabe	235/380 X
5,105,074	4/1992	Nara	235/380 X

FOREIGN PATENT DOCUMENTS

0736804	6/1988	Japan .
0755681	2/1989	Japan .
0788309	5/1990	Japan .
0788518	5/1990	Japan .

OTHER PUBLICATIONS

NEC Catalog of N5256-40.
 Card Reader Imprinter James R. Williams U.S. Design Pat. No. 210,217 Feb. 20, 1968.
 Card Reader James R. Williams U.S. Design Pat. No. 210,218 Feb. 20, 1968.
 Media Converter Unit for a Magnetic Card for a Data Processing Display System Claude H. Hutcheson U.S. Design Pat. No. 264,182 Apr. 27, 1982.

Primary Examiner—Wallace R. Burke
 Assistant Examiner—Freda S. Nunn
 Attorney, Agent, or Firm—Oblon, Spivak, McClelland, Maier & Neustadt

[57] CLAIM

The ornamental design for a combined reader and writer for information recording cards, as shown.

DESCRIPTION

FIG. 1 is a top, front and right side perspective view of a combined reader and writer for information recording cards, showing our new design
 FIG. 2 is a top plan view thereof;
 FIG. 3 is a bottom plan view thereof;
 FIG. 4 is a front elevational view thereof;
 FIG. 5 is a rear elevational view thereof;
 FIG. 6 is a right side elevational view thereof; and,
 FIG. 7 is a left side elevational view thereof.

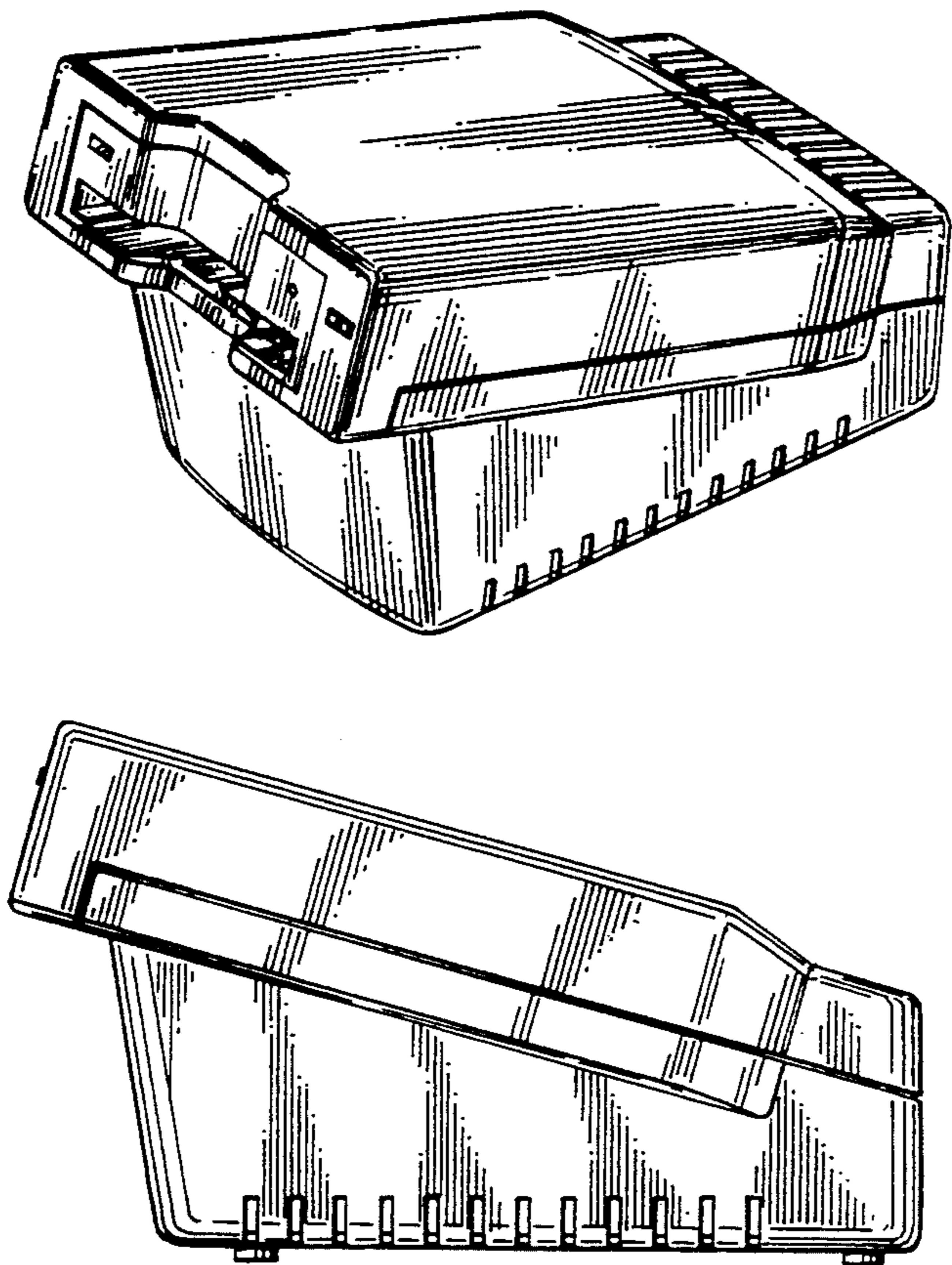


FIG. 1

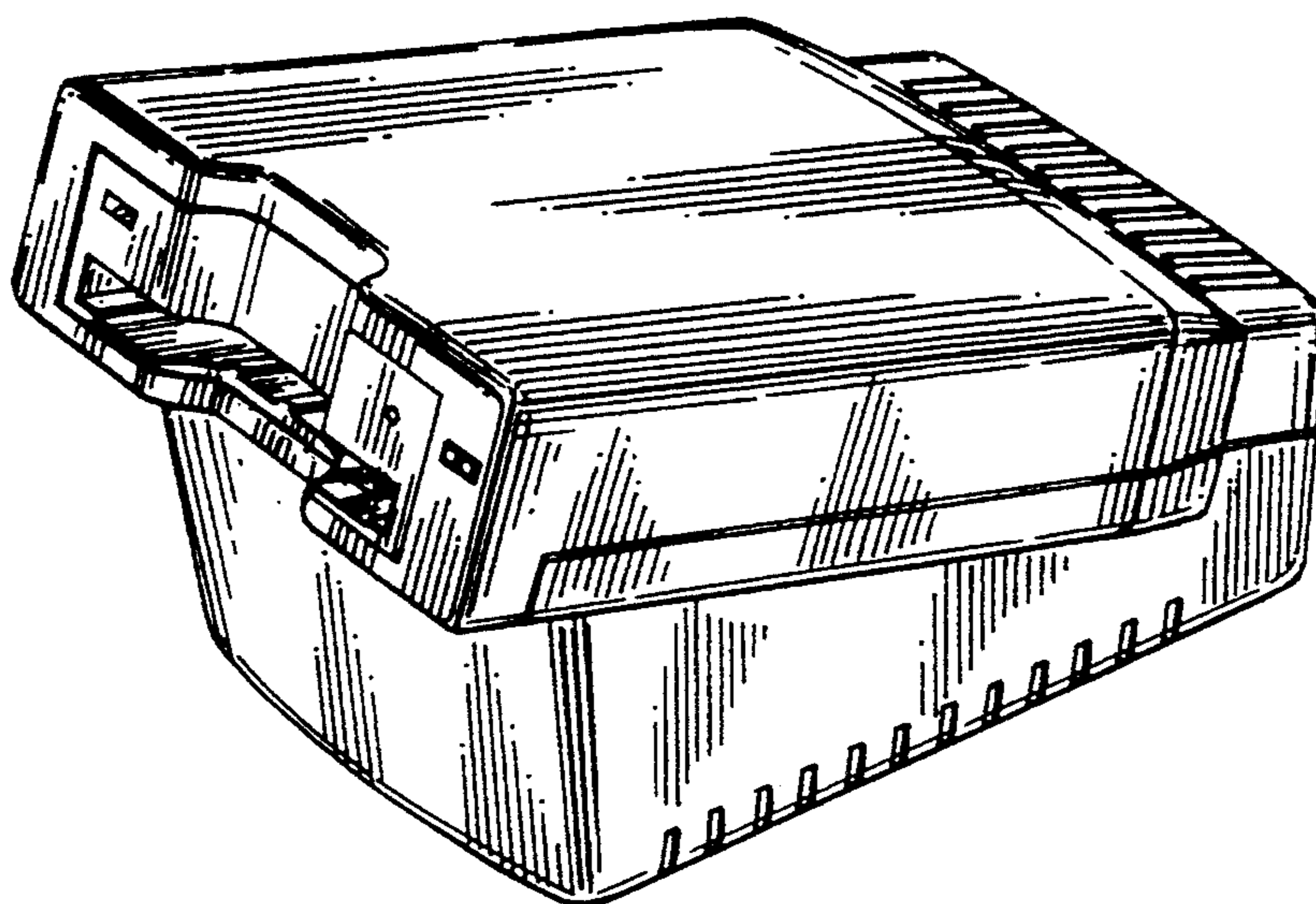


FIG. 2



FIG. 3

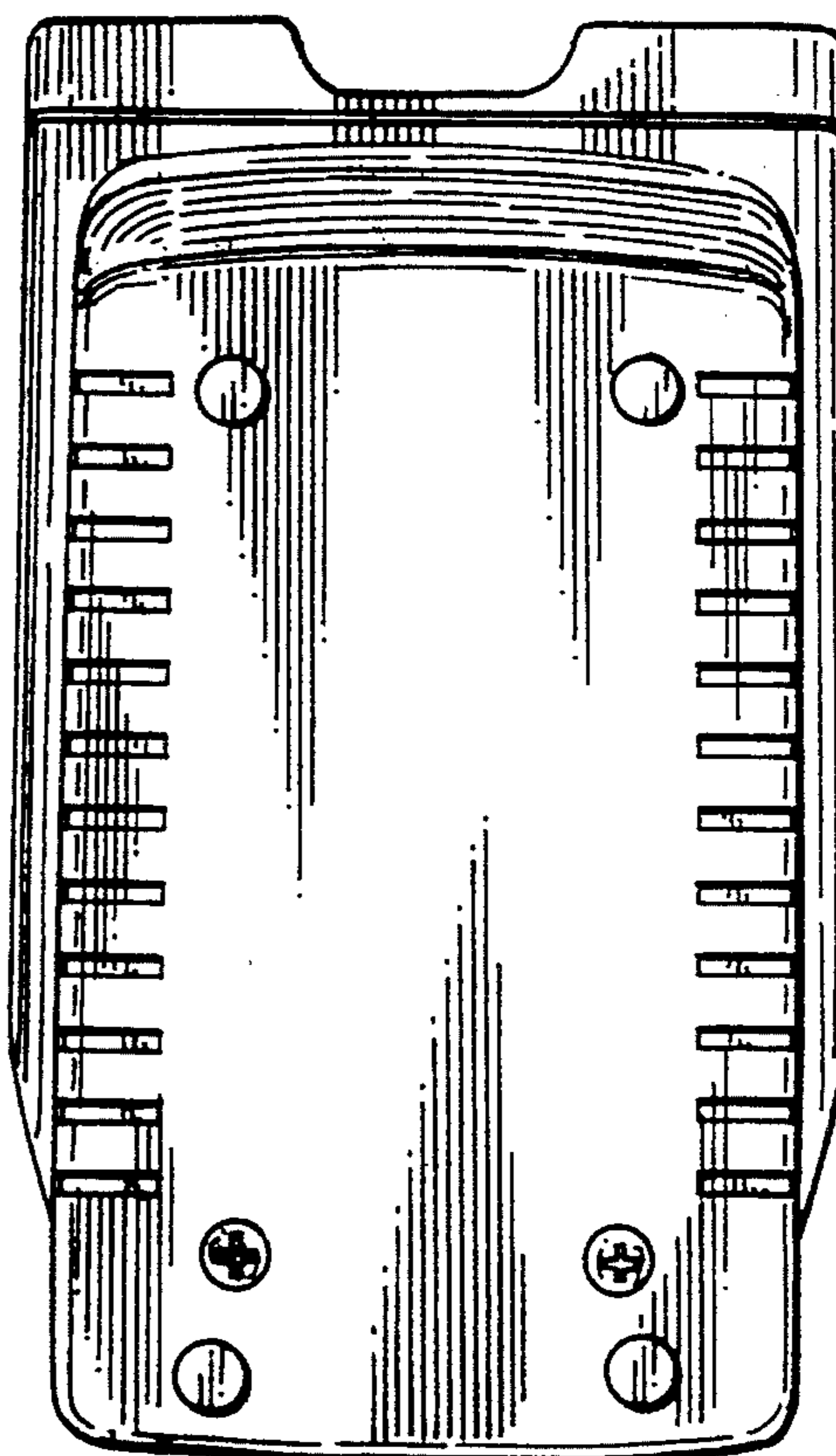


FIG. 4

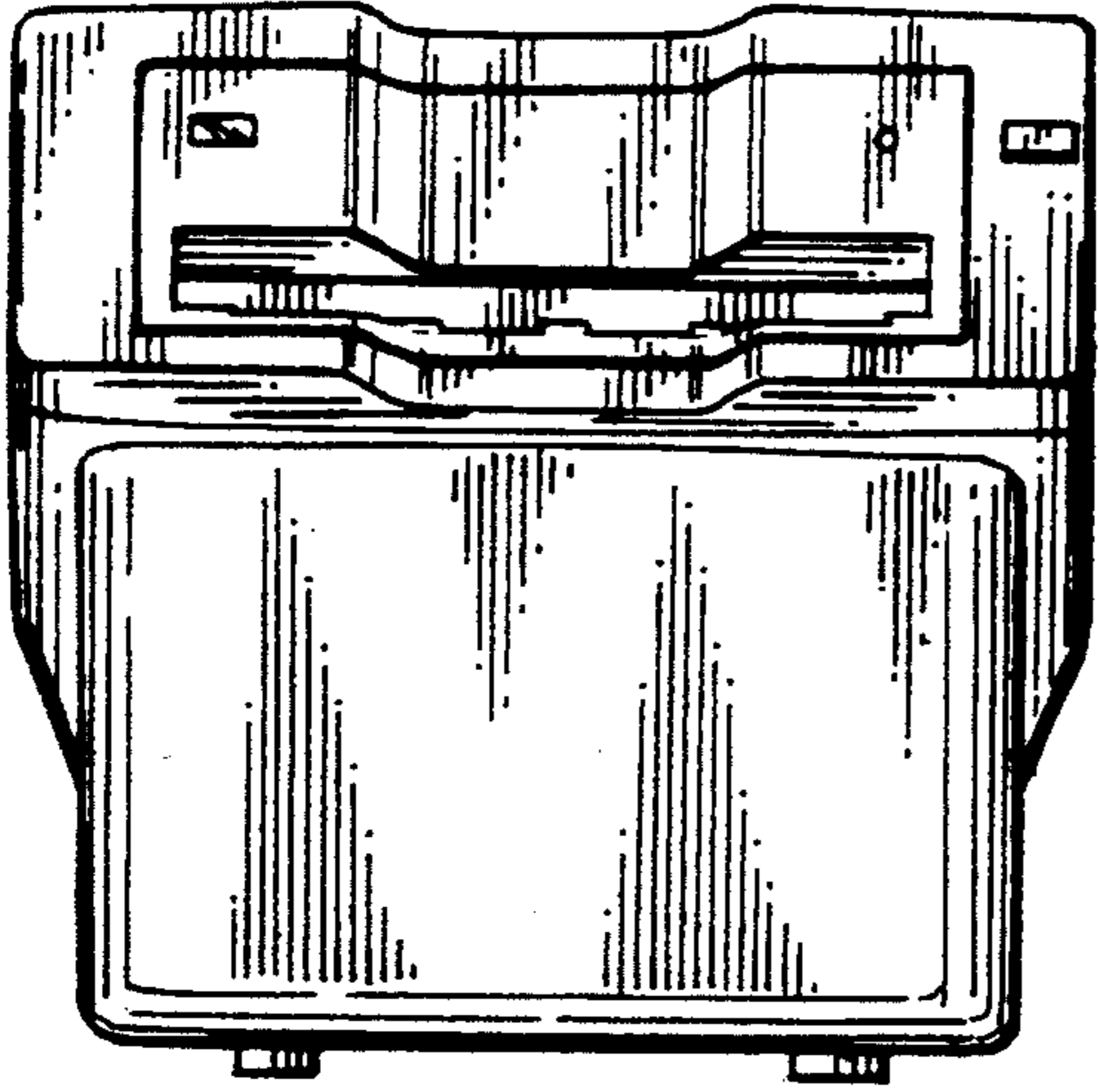


FIG. 5

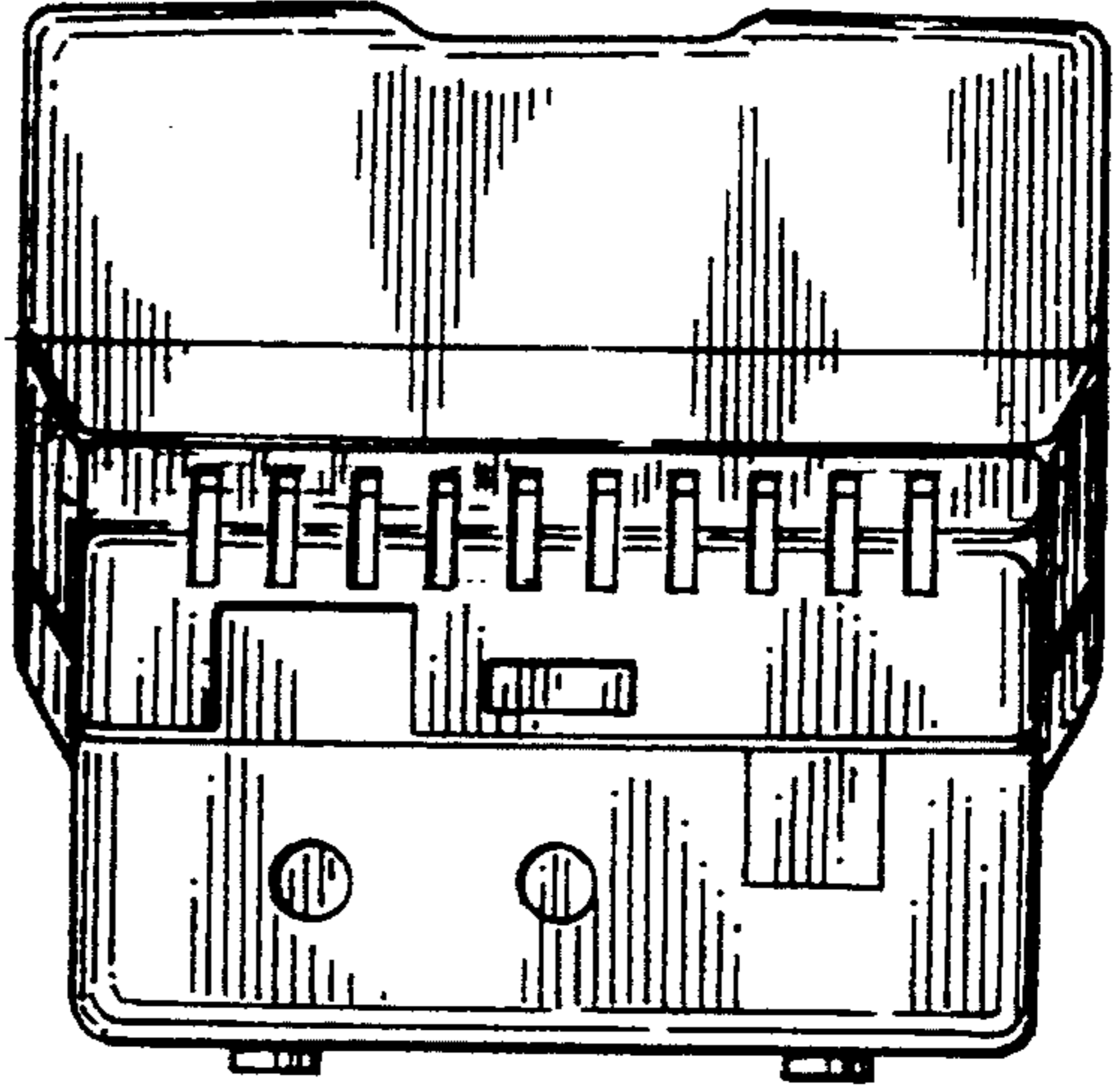


FIG. 6

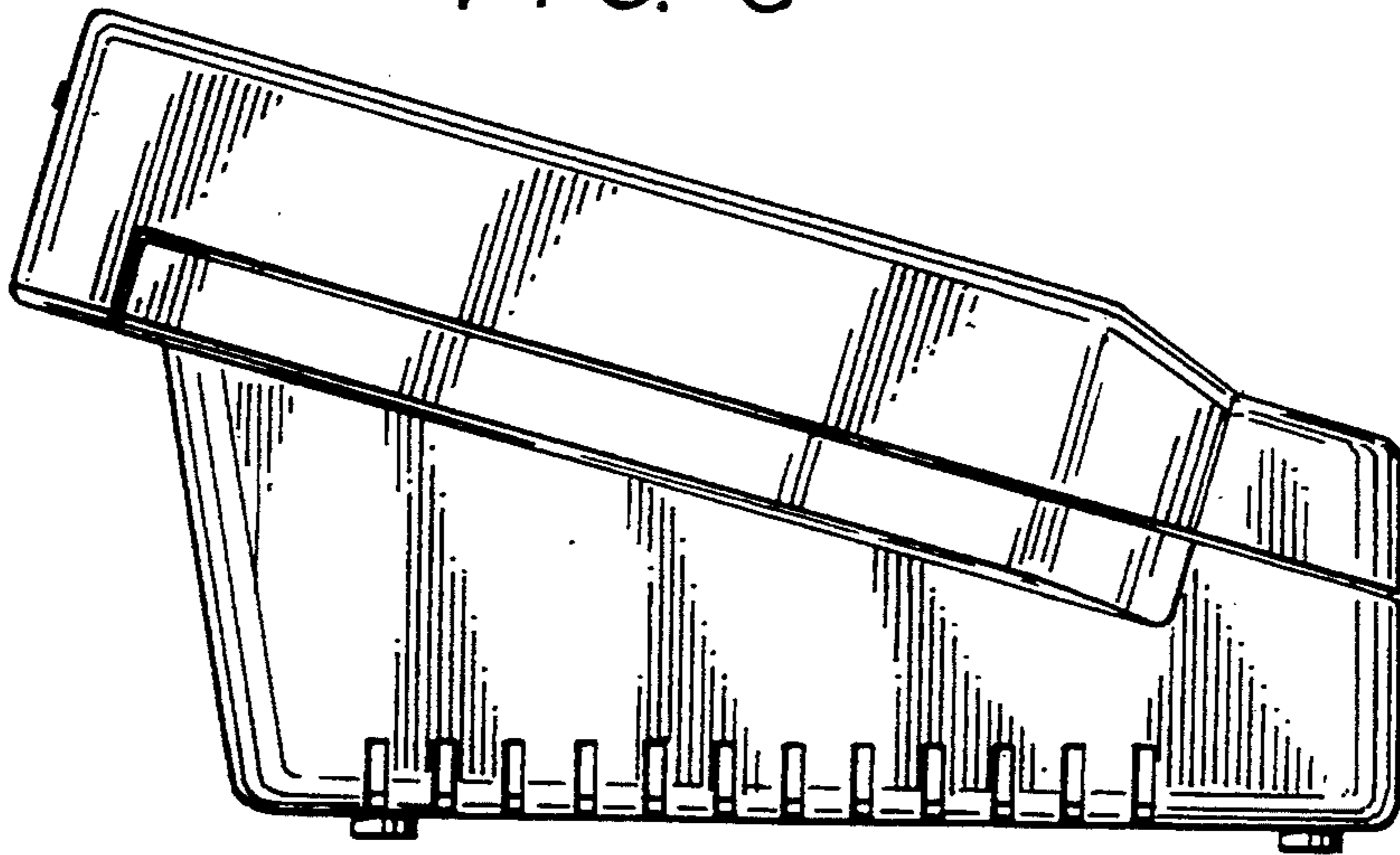


FIG. 7

