



US00D350116S

United States Patent [19]

[11] Patent Number: **Des. 350,116**

Zeiszler

[45] Date of Patent: **** Aug. 30, 1994**

- [54] **COMPUTER FOR VISUALLY IMPAIRED PERSONS**
- [75] Inventor: **James M. Zeiszler, Palo Alto, Calif.**
- [73] Assignee: **Arkenstone, Inc., Sunnyvale, Calif.**
- [**] Term: **14 Years**
- [21] Appl. No.: **778,717**
- [22] Filed: **Oct. 16, 1991**
- [52] U.S. Cl. **D14/100**
- [58] Field of Search 235/145 A, 145 R; 340/700, 706; 364/708, 709.04; 434/112, 114, 307, 308, 318; 381/51; D14/100, 106, 113, 115; D18/1, 7, 11, 12

- 4,465,465 8/1984 Nelson 434/112
- 4,881,900 11/1989 Matsuoka et al. 434/114 X
- 4,898,536 2/1990 Hoffarth 434/114
- 4,968,257 11/1990 Yalen 434/307 X

Primary Examiner—Wallace R. Burke
Assistant Examiner—Freda S. Nunn
Attorney, Agent, or Firm—LaRiviere & Grubman

[57] CLAIM

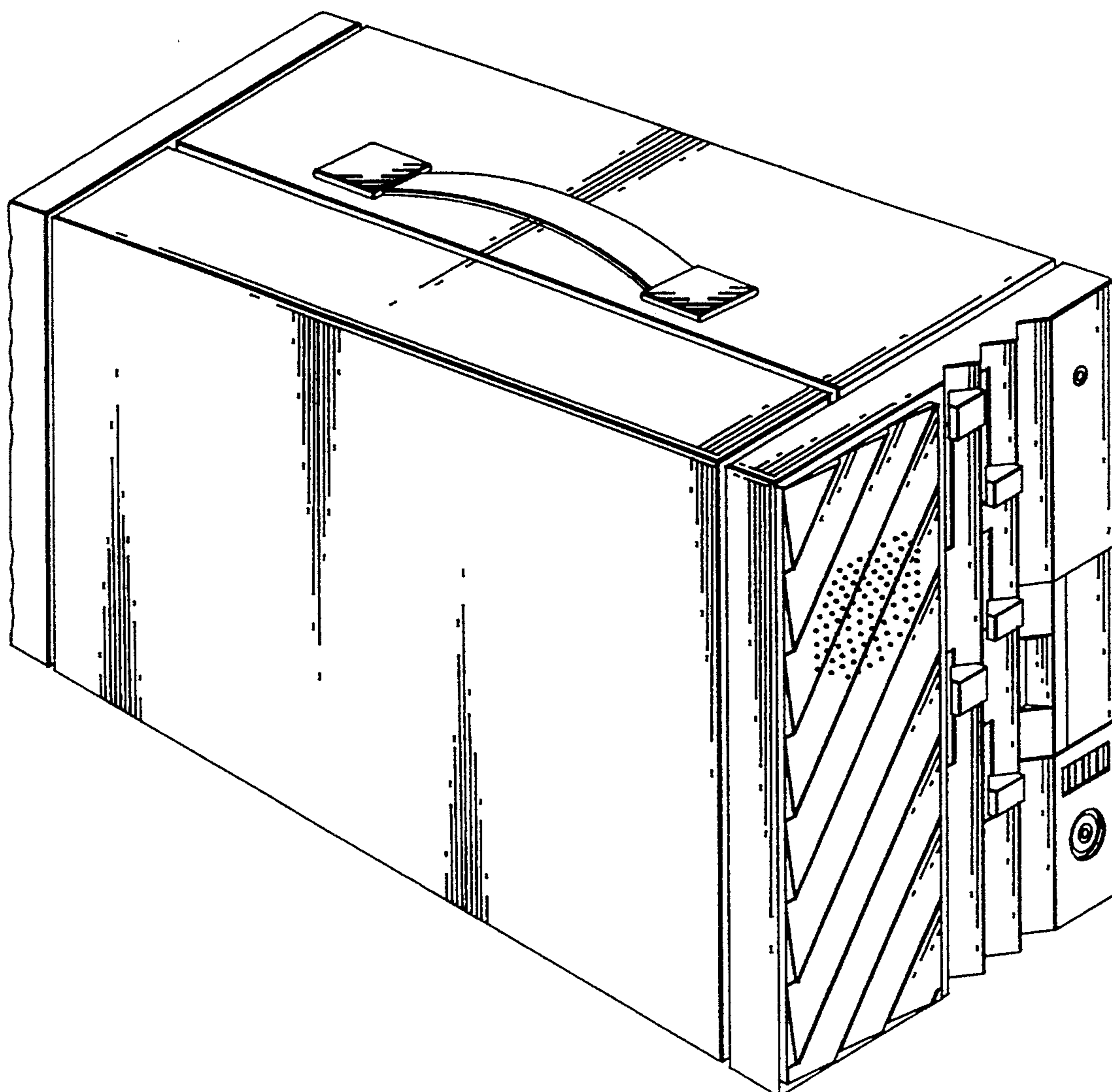
The ornamental design for a computer for visually impaired persons, as shown.

DESCRIPTION

FIG. 1 is a front elevational view of a computer for visually impaired persons showing my new design; FIG. 2 is a right side elevational view thereof; FIG. 3 is a left side elevational view thereof; FIG. 4 is a rear elevational view thereof; FIG. 5 is a top plan view thereof; FIG. 6 is a bottom plan view thereof; and, FIG. 7 is a top, front and side perspective view thereof.

[56] **References Cited**
U.S. PATENT DOCUMENTS

- D. 301,233 5/1989 Briscoe D14/100
- D. 308,668 6/1990 Briscoe et al. D14/100
- 4,445,871 5/1984 Becker 434/114



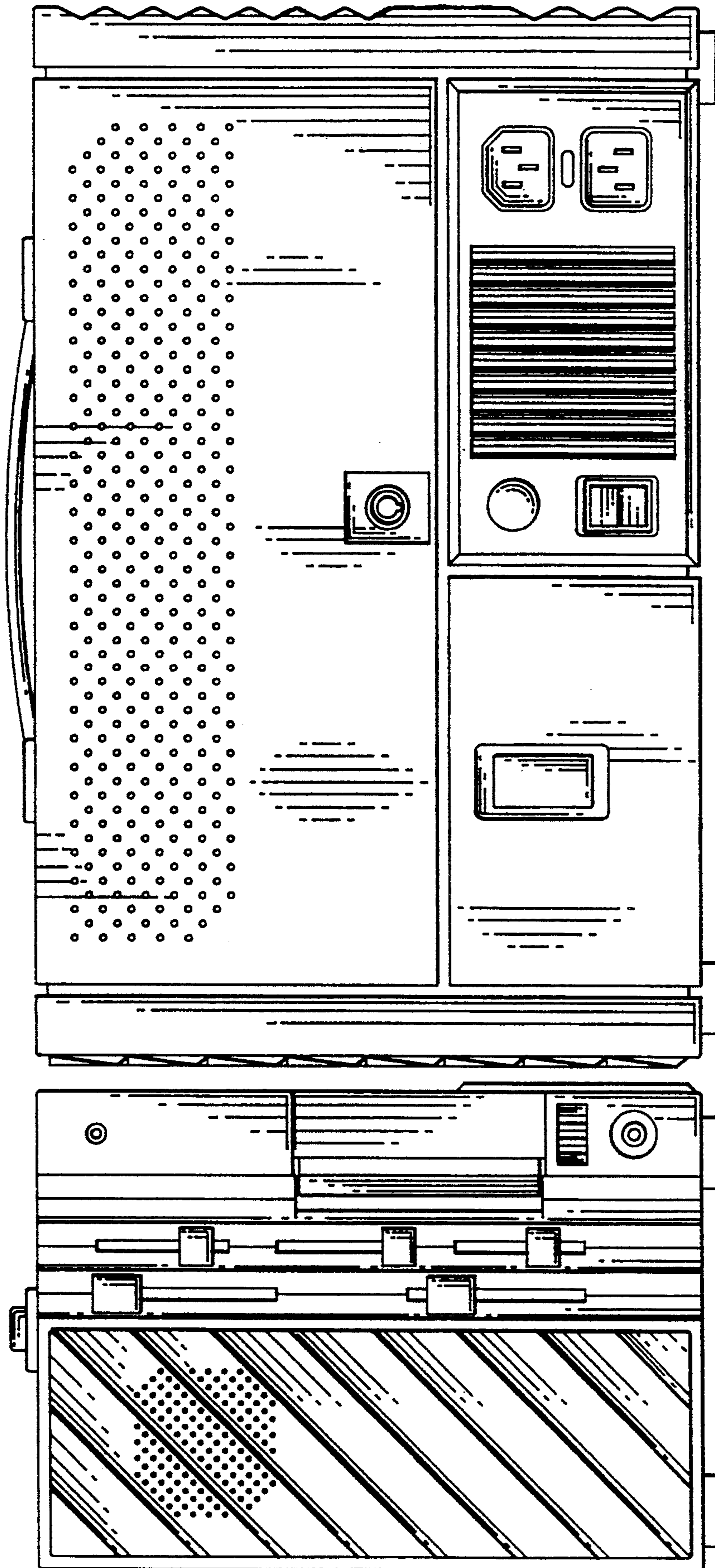


FIG. 2

FIG. 1

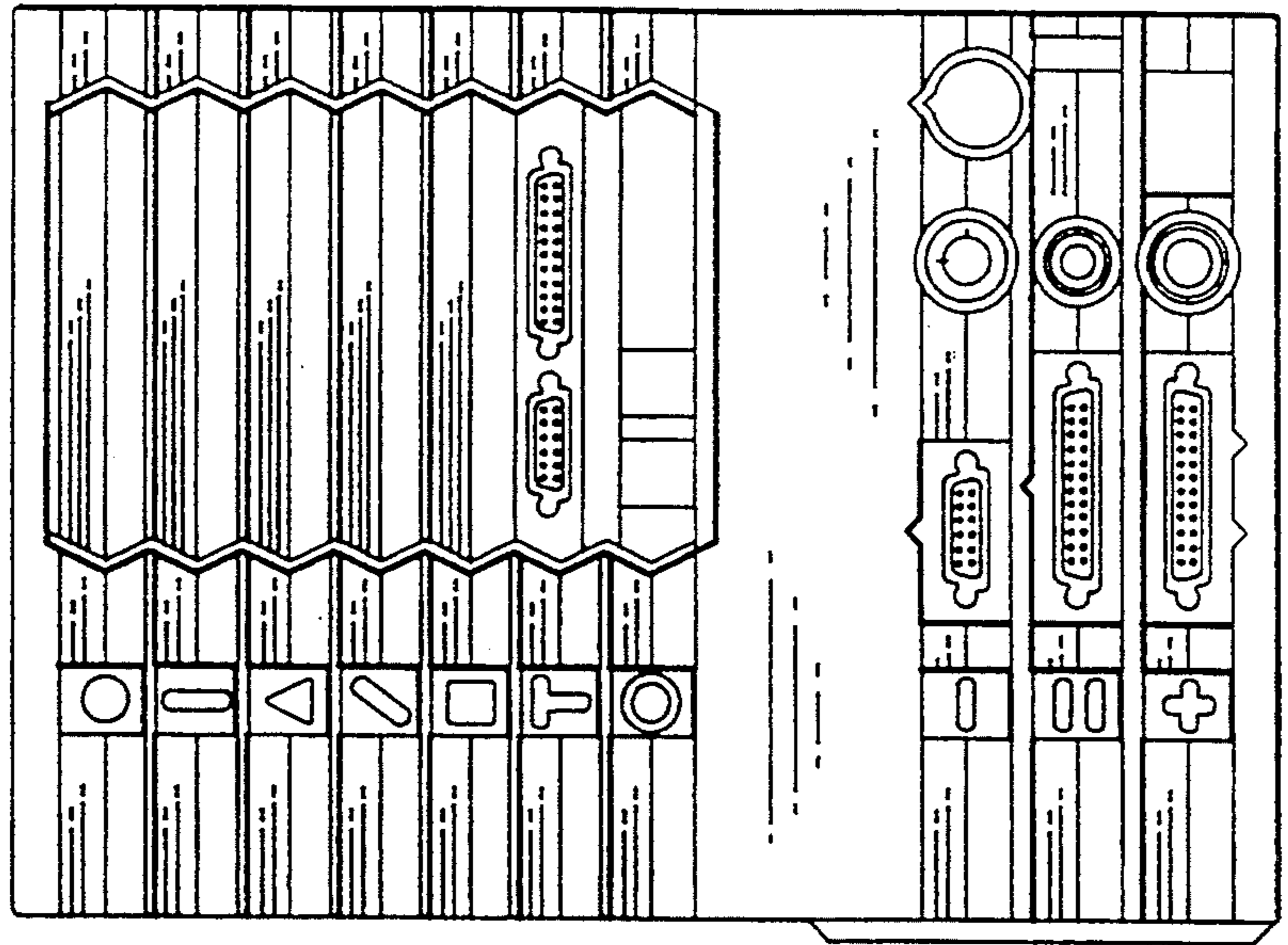


FIG. 4

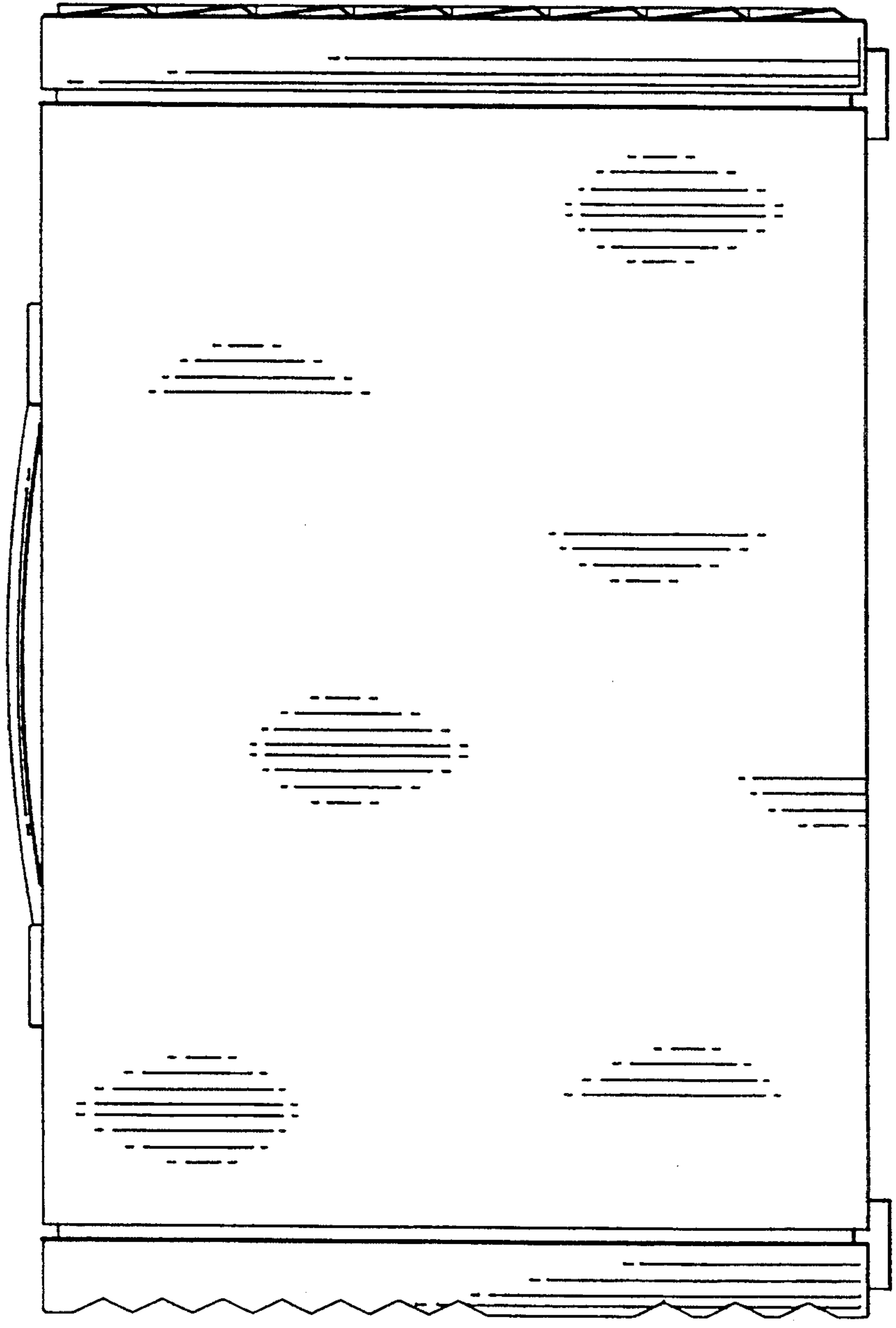


FIG. 3

FIG. 5

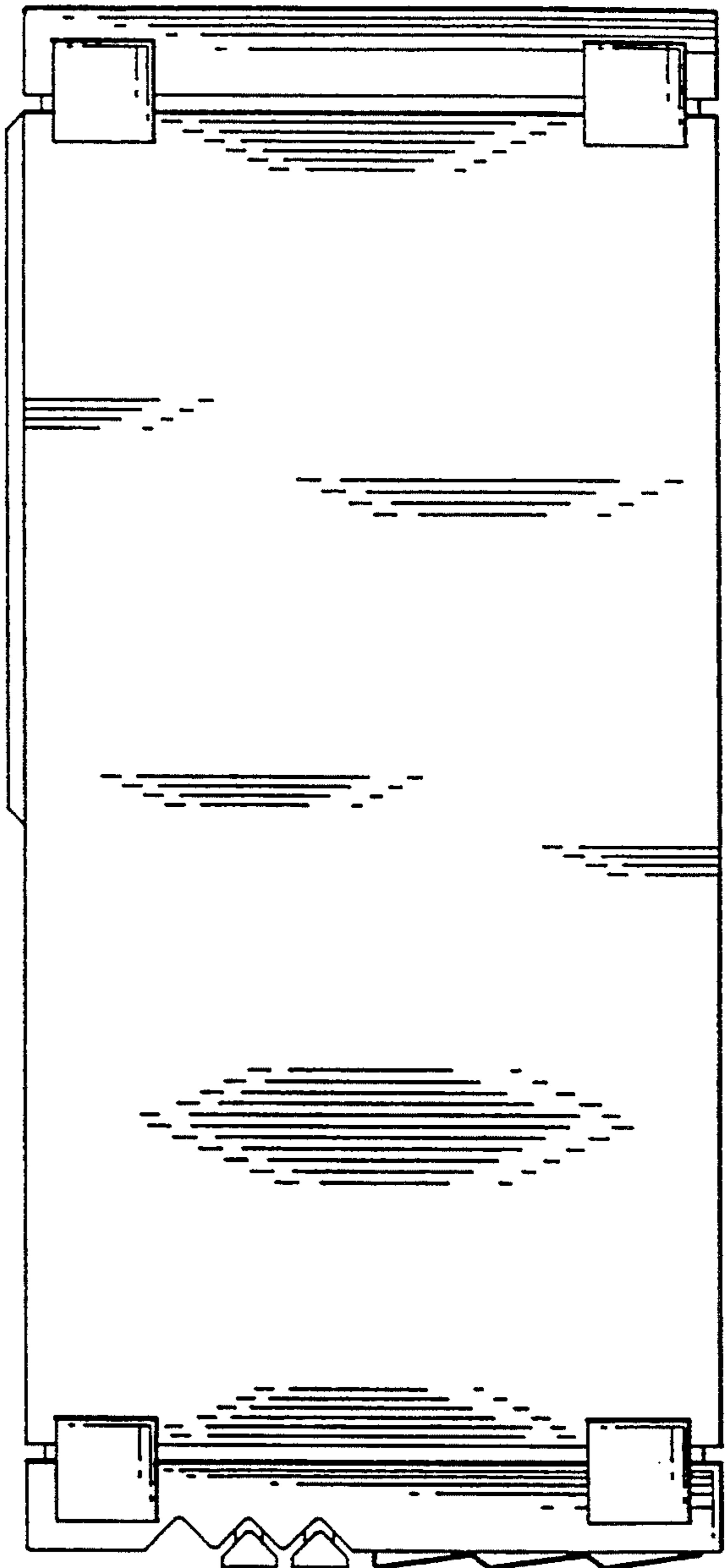
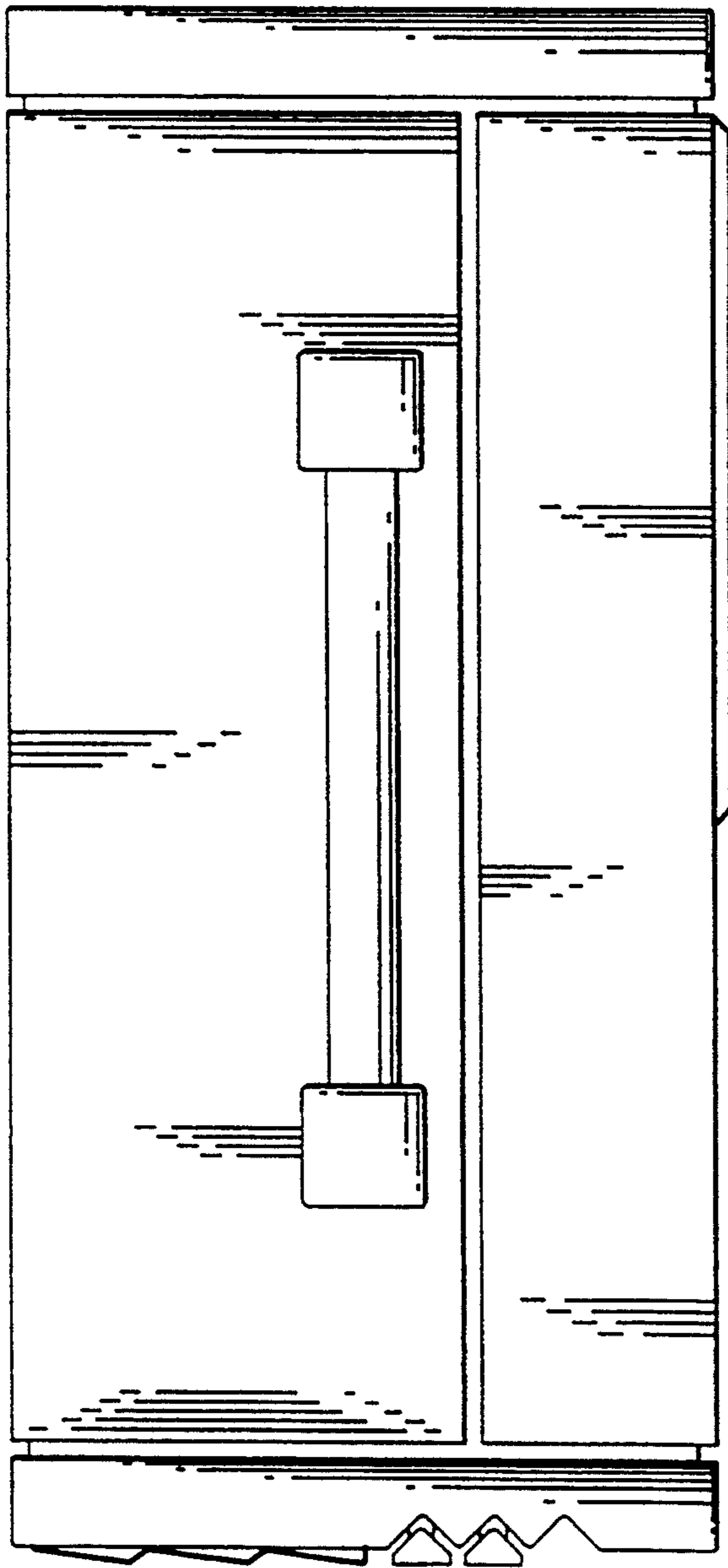


FIG. 6

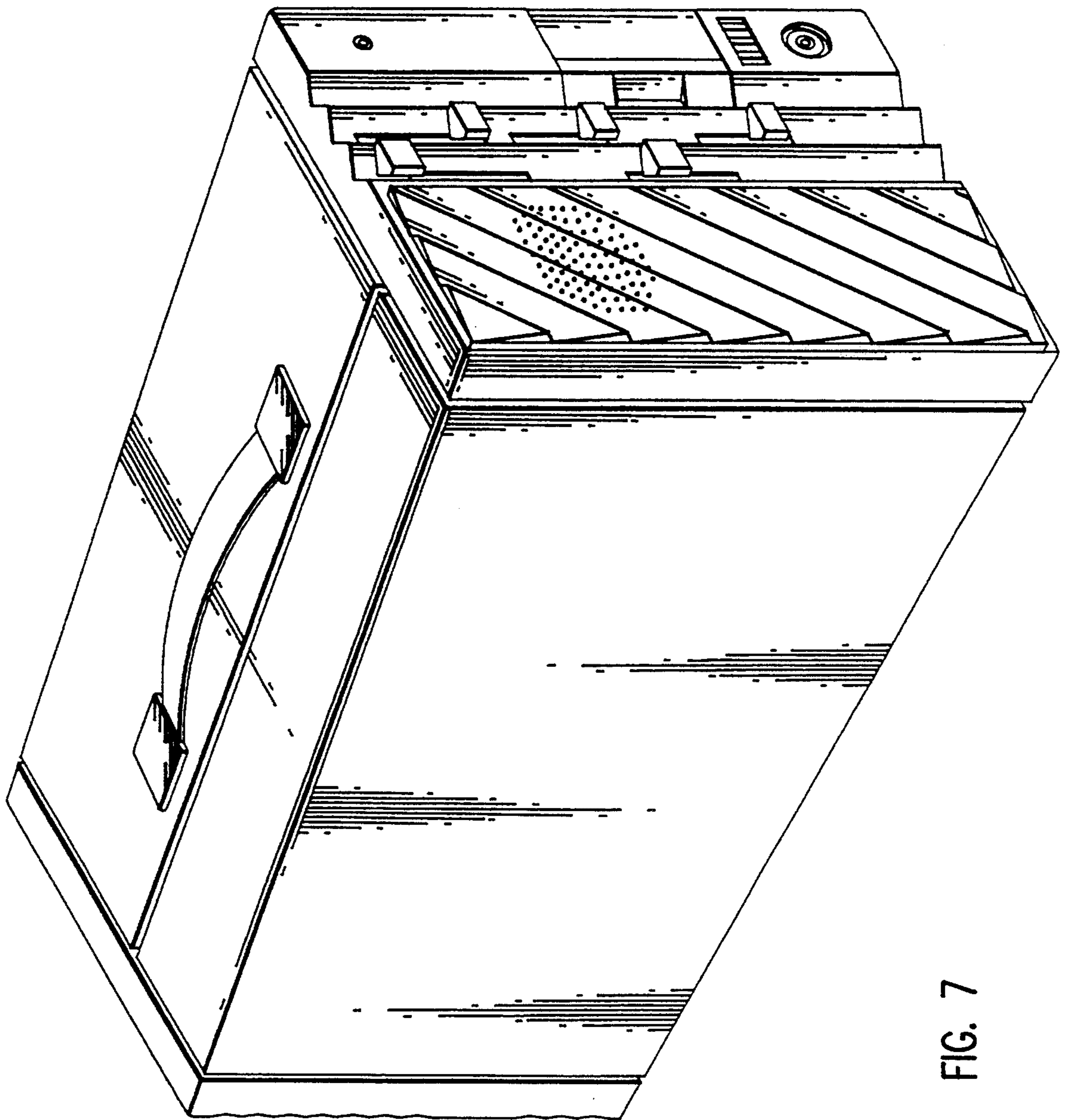


FIG. 7