



US00D350113S

United States Patent [19]

[11] Patent Number: Des. 350,113

Nagele

[45] Date of Patent: ** Aug. 30, 1994

[54] **BATTERY CHARGER TRANSFORMER FOR A PORTABLE TELEPHONE**

[75] Inventor: Albert L. Nagele, Wilmette, Ill.

[73] Assignee: Motorola, Inc., Schaumburg, Ill.

[**] Term: 14 Years

[21] Appl. No.: 12,243

[22] Filed: Aug. 26, 1993

[52] U.S. Cl. D13/110

[58] Field of Search 320/1, 2, 3, 4, 5, 15, 320/21; 429/99; 336/90, 92, 105, 107; D13/107, 108, 110

FOREIGN PATENT DOCUMENTS

462988 12/1977 Japan D13/36 107
724984 2/1988 Japan D13/36 107

OTHER PUBLICATIONS

Transformers on p. 235 of *Hong Kong Enterprise*, Oct. 1989.

S/100 plug in transformer on p. 150 of *Home Lighting & Accessories*, Sep. 1989.

Primary Examiner—James M. Gandy

Assistant Examiner—Joel Sincavage

Attorney, Agent, or Firm—John J. King

[56] **References Cited**

U.S. PATENT DOCUMENTS

D. 247,619	3/1978	Edgell et al.	D13/107 X
D. 310,203	8/1990	Takahashi et al.	D13/107
D. 339,563	9/1993	Usami	D13/107
4,389,469	6/1983	Nicholls	D13/110 X
4,451,693	5/1984	Vest	336/90 X
4,543,625	9/1985	Rumble	D13/110 X
4,636,703	1/1987	Tohya et al.	429/99 X
4,645,995	2/1987	Terrell et al.	336/90 X
4,939,623	7/1990	Equi et al.	336/92 X
5,272,459	12/1993	Geery	336/92 X

[57] **CLAIM**

The ornamental design for a battery charger transformer for a portable telephone, as shown and described.

DESCRIPTION

FIG. 1 is a top, front and left side perspective view of the battery charger transformer for a portable telephone showing our new design;

FIG. 2 is a bottom plan view thereof;

FIG. 3 is a left side elevational view thereof; and,

FIG. 4 is a rear elevational view thereof.

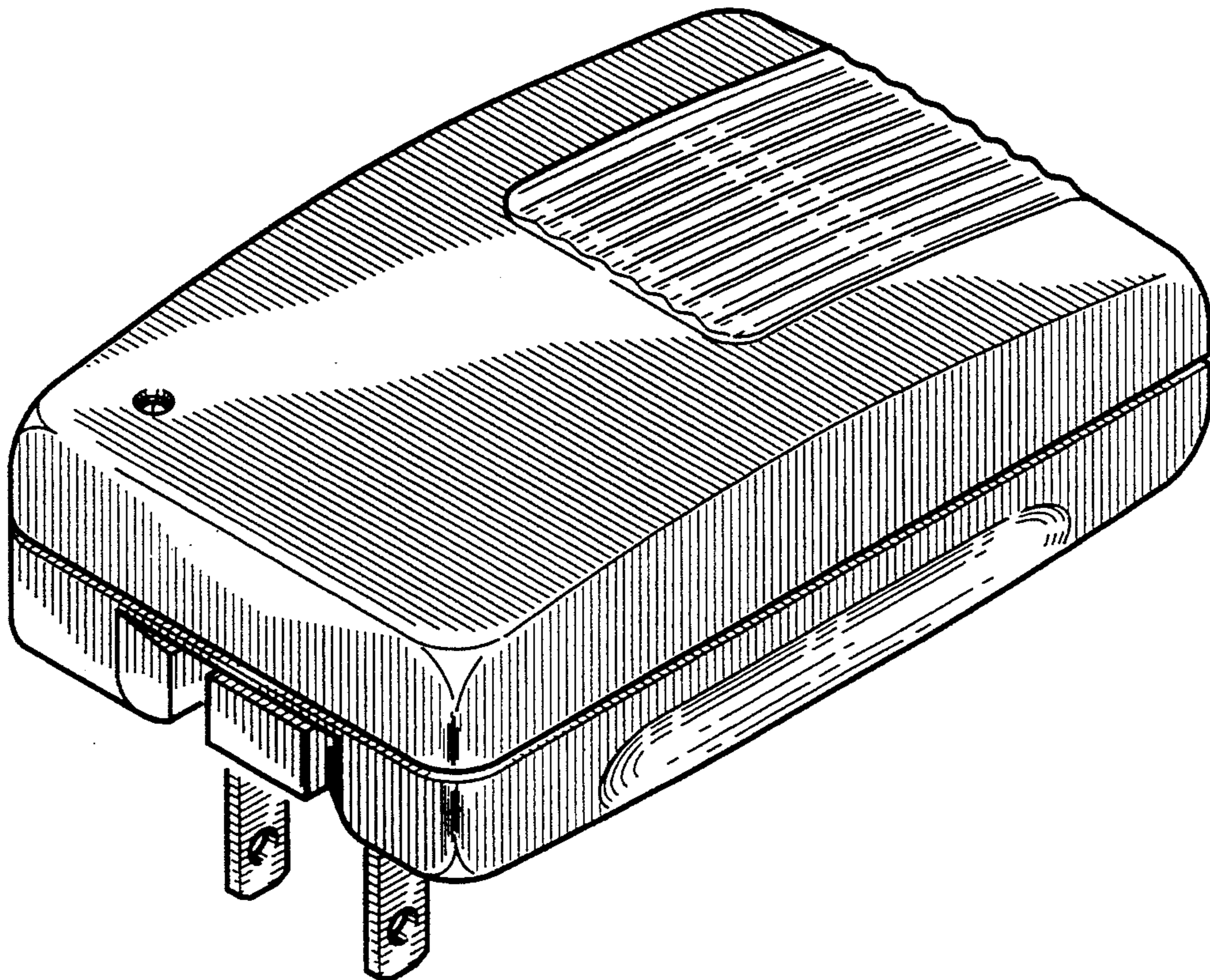


FIG. 1

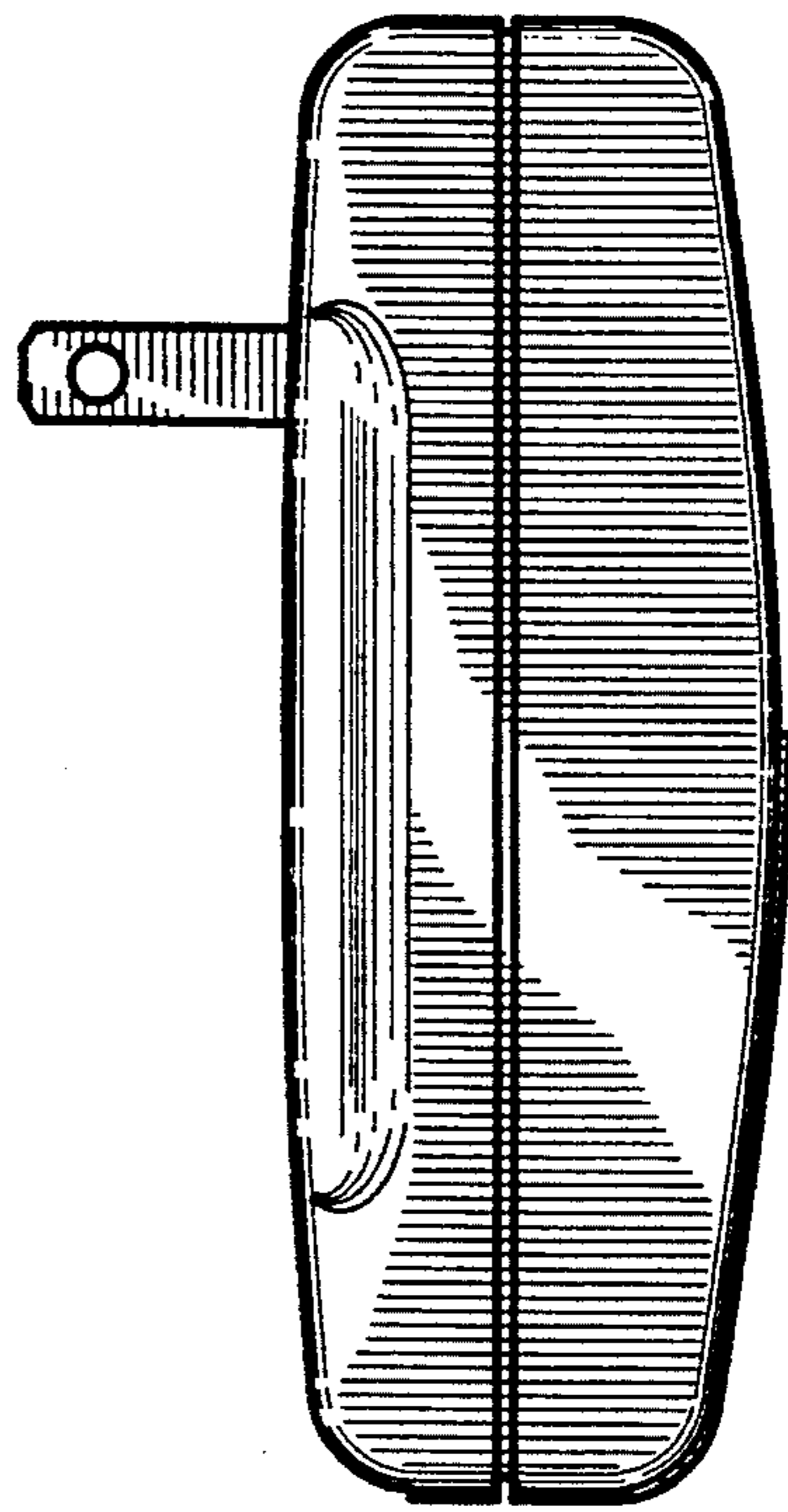
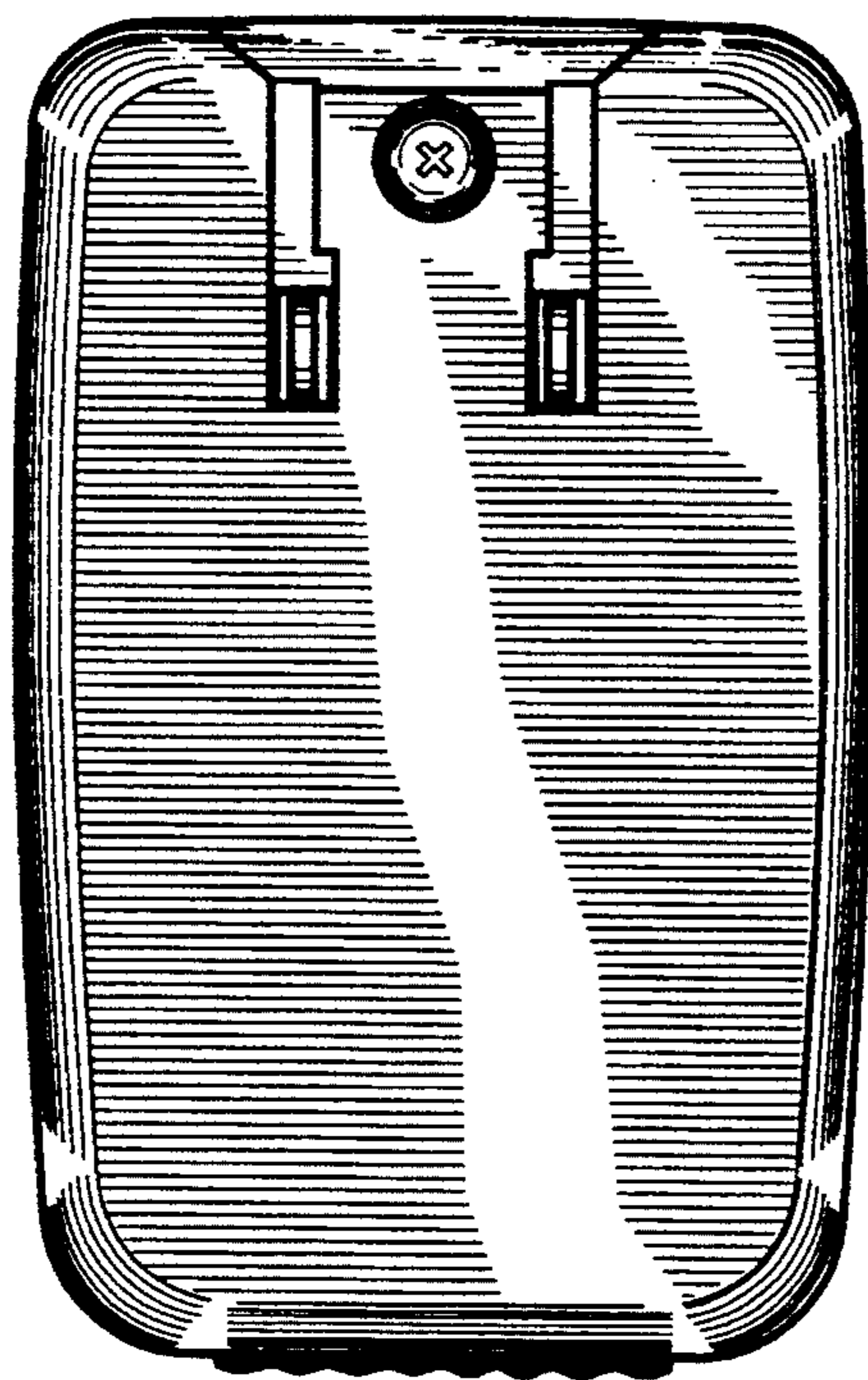
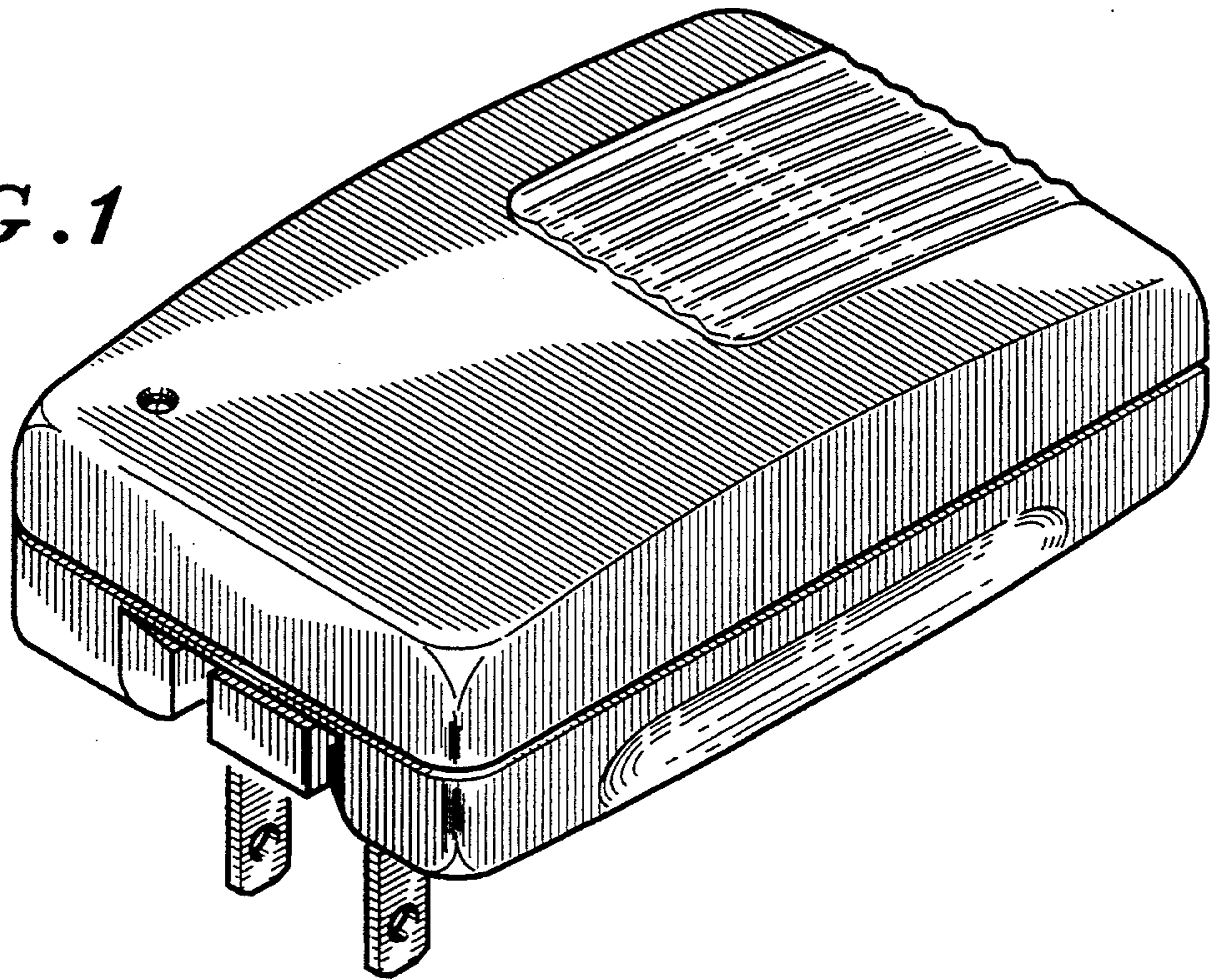


FIG. 2

FIG. 3

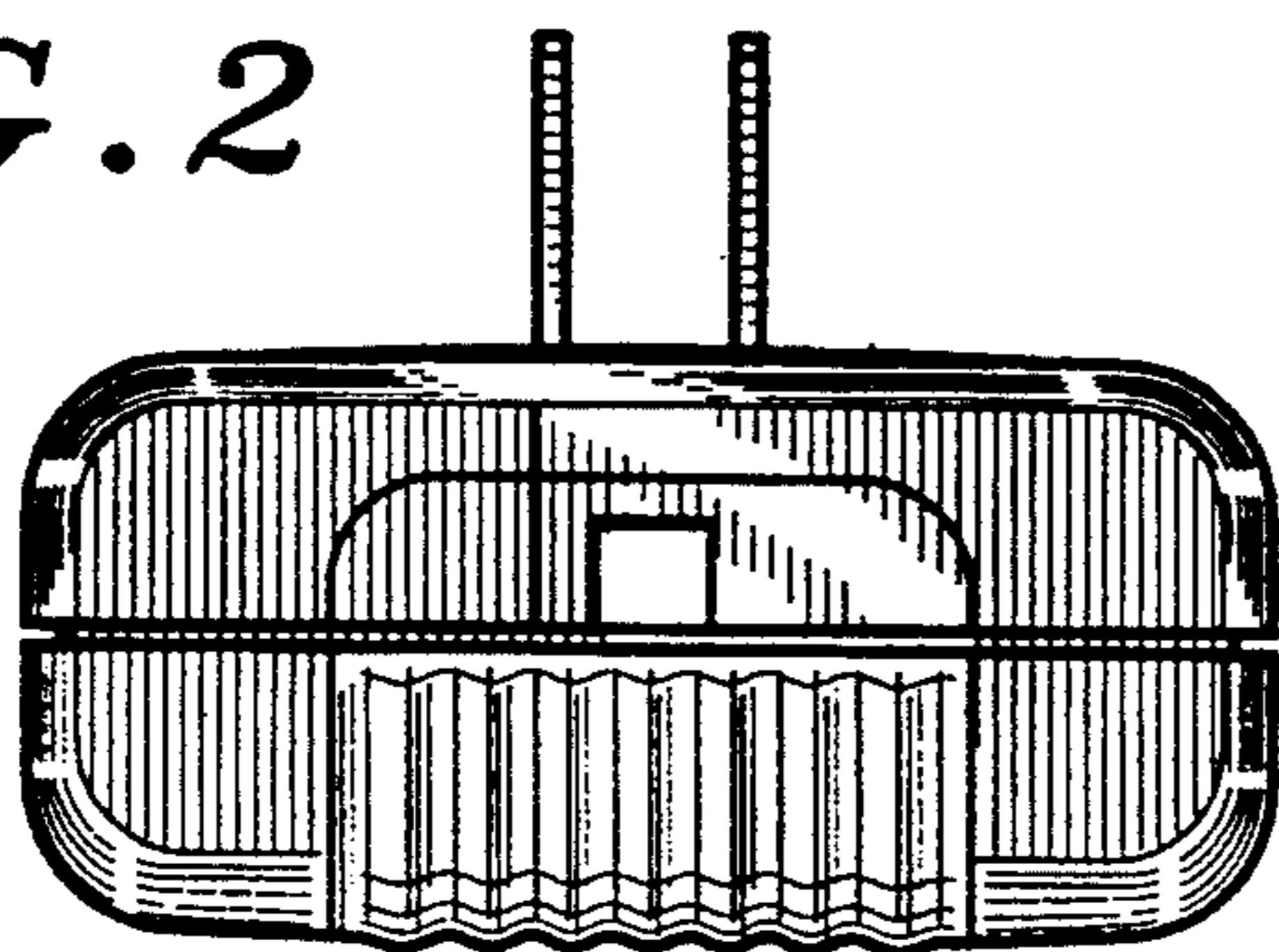


FIG. 4