



US00D350112S

United States Patent [19] Lin

[11] Patent Number: **Des. 350,112**

[45] Date of Patent: **** Aug. 30, 1994**

[54] **CELLULAR PHONE BATTERY CHARGER**

5,245,266 9/1993 Yuen 320/2
5,256,955 10/1993 Tomura et al. 320/2

[75] Inventor: **Yao-tang Lin, Taipei, Taiwan**

[73] Assignee: **Aeolus Electronic Co., Ltd., Taipei, Taiwan**

Primary Examiner—Wallace R. Burke
Assistant Examiner—Joel Sincavage
Attorney, Agent, or Firm—Bacon & Thomas

[**] Term: **14 Years**

[57] **CLAIM**

[21] Appl. No.: **5,990**

The ornamental design for a cellular phone battery charger, as shown.

[22] Filed: **Mar. 16, 1993**

DESCRIPTION

[52] U.S. Cl. **D13/108**

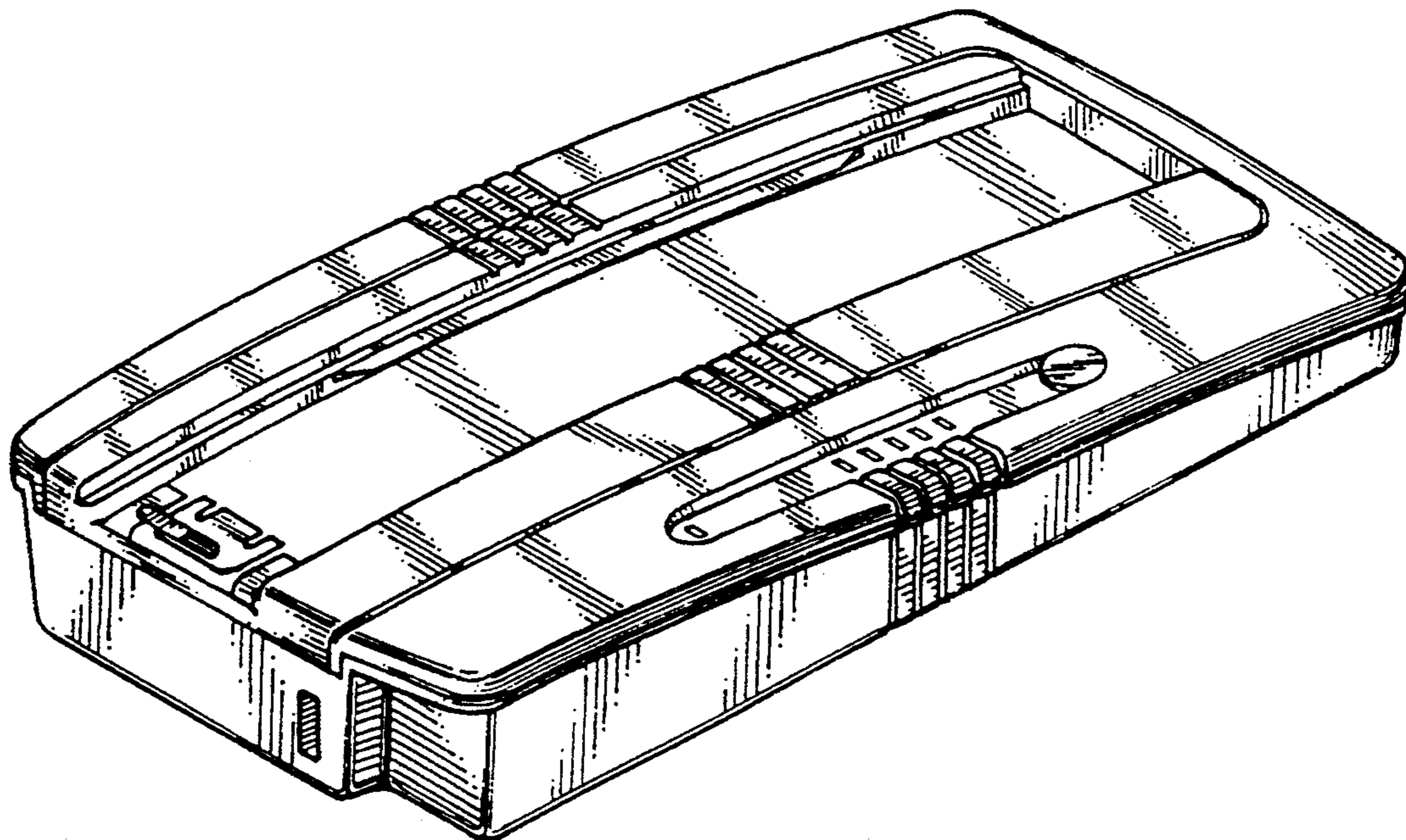
[58] Field of Search 320/1, 2, 3, 4, 5, 15,
320/21; D13/107, 108

FIG. 1 is a perspective view of a cellular phone battery charger showing my new design;
FIG. 2 is a front elevational view thereof;
FIG. 3 is a rear elevational view thereof;
FIG. 4 is a left side elevational view thereof;
FIG. 5 is a right side elevational view thereof;
FIG. 6 is a top plan view thereof; and,
FIG. 7 is a bottom plan view thereof.

[56] **References Cited**

U.S. PATENT DOCUMENTS

D. 321,167 10/1991 Shimoo et al. D13/107
5,162,719 11/1992 Tomura et al. 320/2



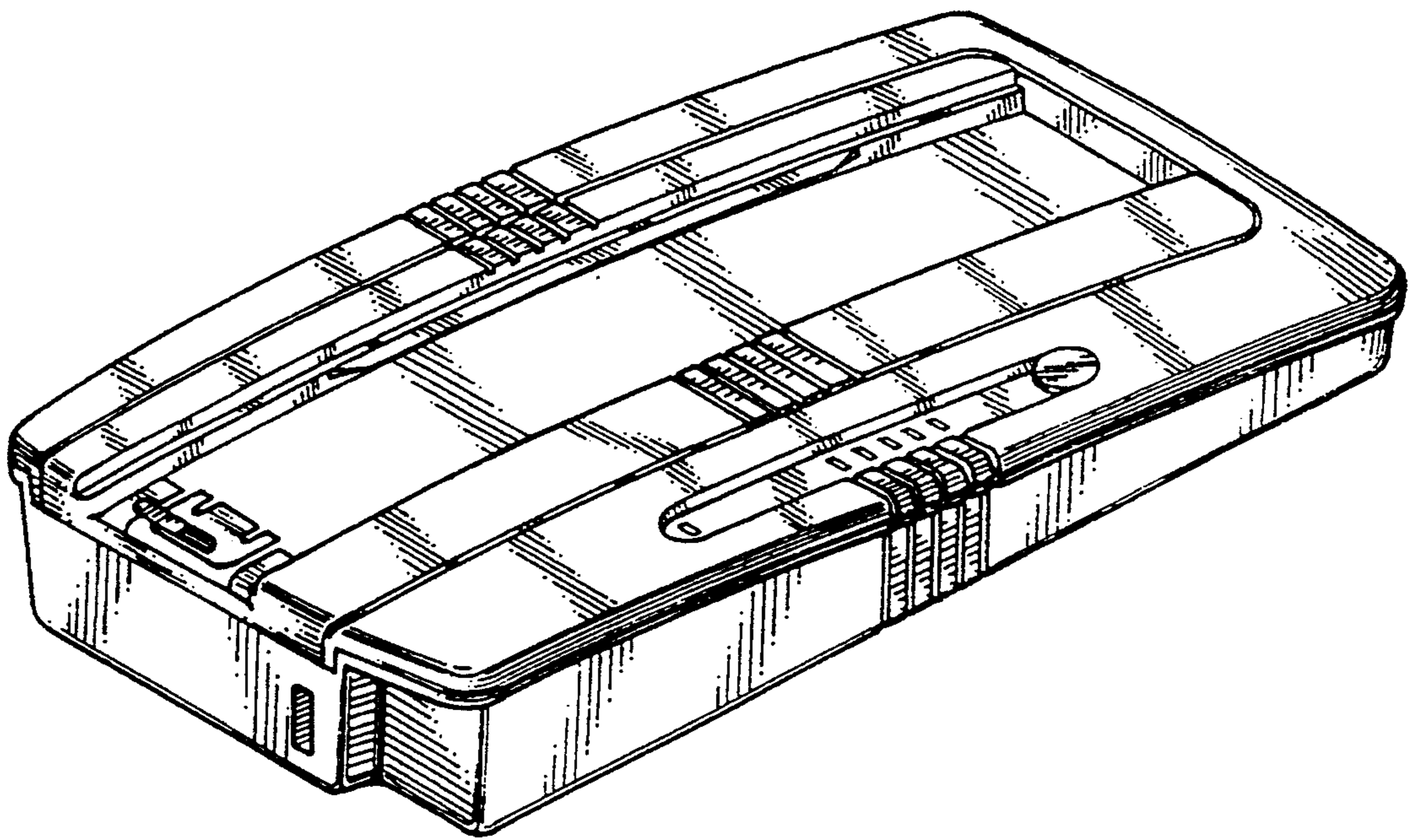


FIG. 1

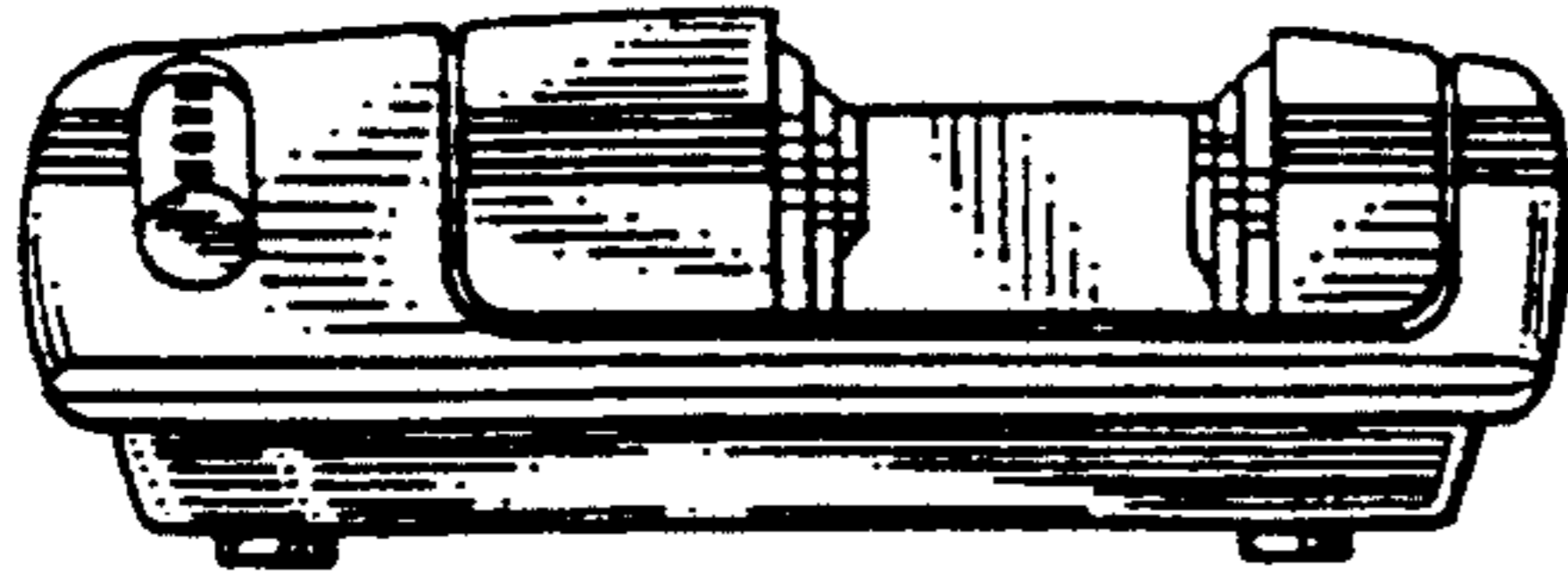


FIG. 2

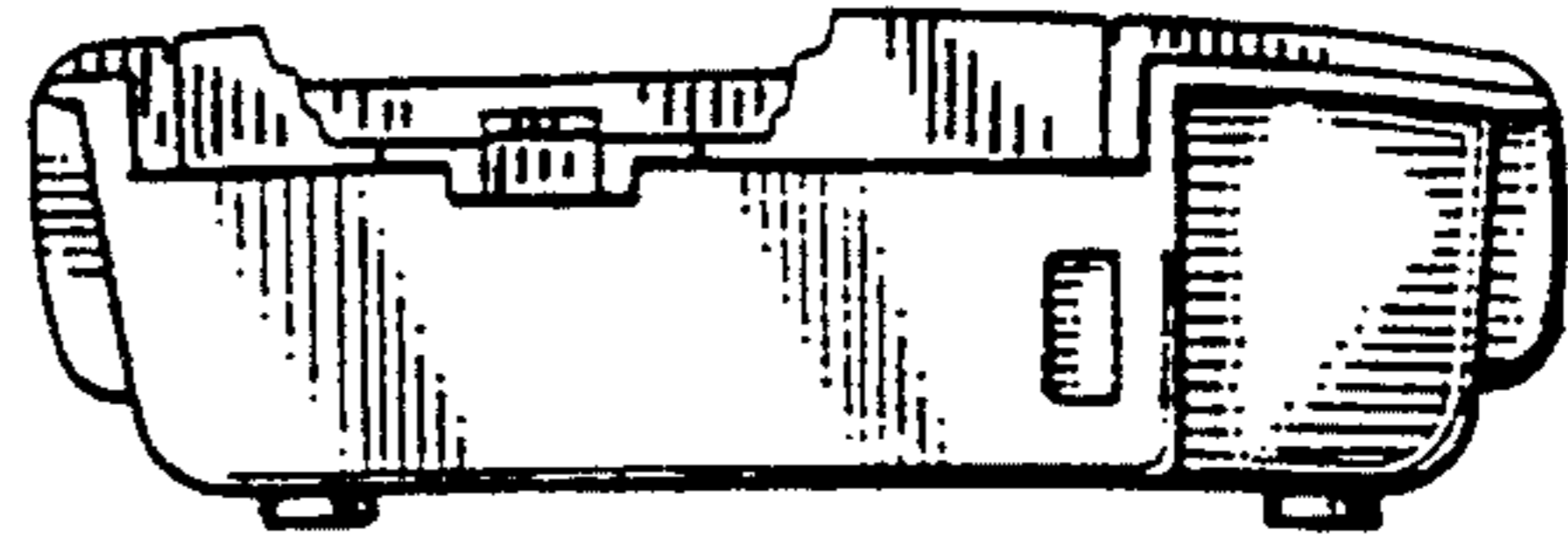


FIG. 3

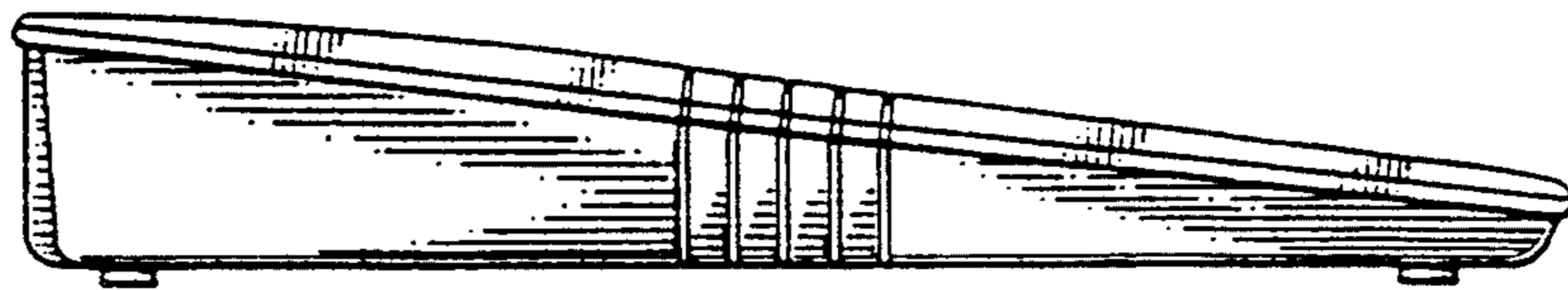


FIG. 4

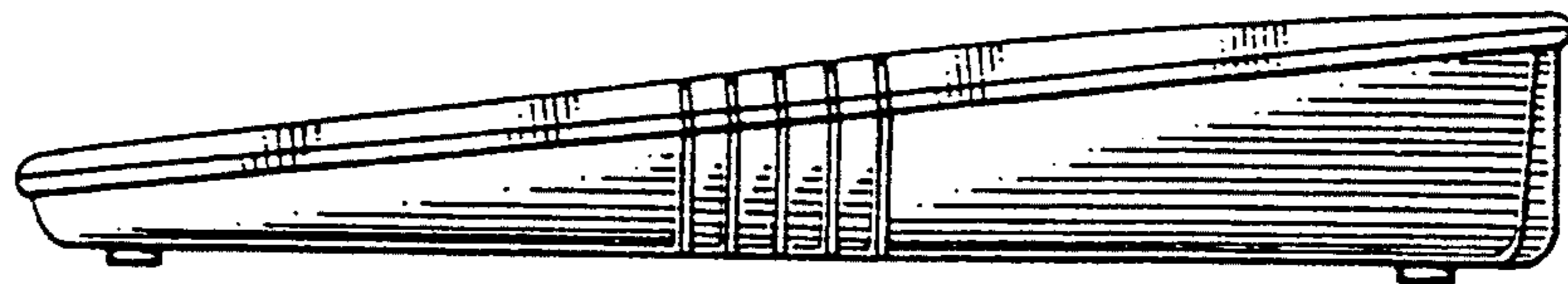


FIG. 5

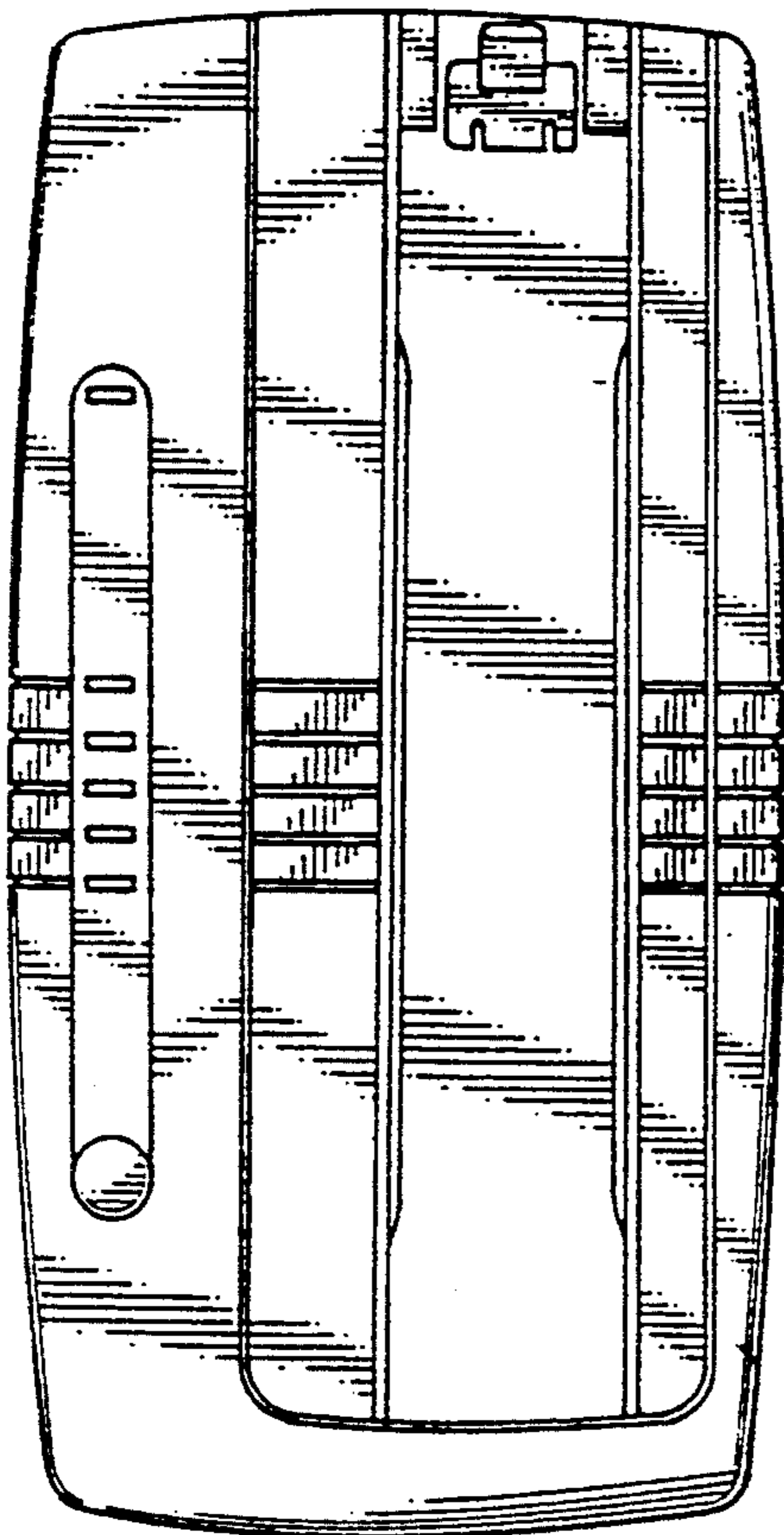


FIG. 6

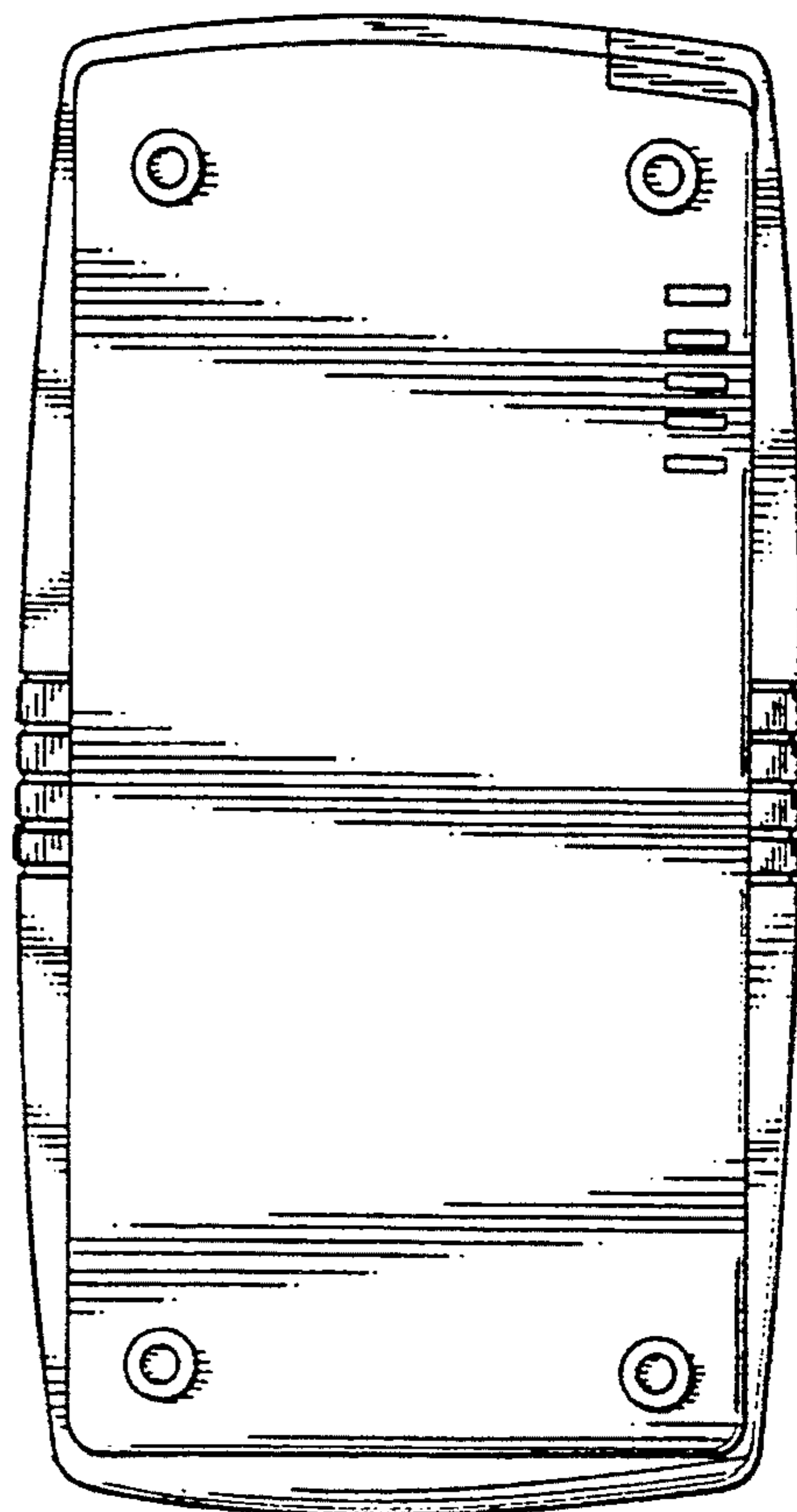


FIG. 7