



US00D350111S

**United States Patent** [19]  
**Okumura**

[11] **Patent Number: Des. 350,111**

[45] **Date of Patent: \*\* Aug. 30, 1994**

[54] **BATTERY PACK**

[75] Inventor: **Michio Okumura**, Anjo, Japan

[73] Assignee: **Makita Corporation**, Anjo, Japan

[\*\*] Term: **14 Years**

[21] Appl. No.: **13,642**

[22] Filed: **Sep. 29, 1993**

[30] **Foreign Application Priority Data**

Apr. 12, 1993 [JP] Japan ..... 5-10780

[52] U.S. Cl. .... **D13/103**

[58] Field of Search ..... 429/7, 96, 97, 99, 100,  
429/123, 163; 320/2; D13/103

[56] **References Cited**

**U.S. PATENT DOCUMENTS**

- D. 304,822 11/1989 Fushiya et al. .... D13/103
- D. 306,573 3/1990 Schultz ..... D13/103
- D. 306,574 3/1990 Schultz ..... D13/103
- D. 313,391 1/1991 Pudwill ..... D13/103
- D. 334,012 3/1993 Chen ..... D13/103

- D. 342,479 12/1993 Kimata ..... D13/103
- 5,213,913 5/1993 Anthony, III et al. .... 429/123 X

**OTHER PUBLICATIONS**

Makita Catalog, Dec. 1992, Japan, pp. 1, 2 & 4.

*Primary Examiner*—Wallace R. Burke

*Assistant Examiner*—Joel Sincavage

*Attorney, Agent, or Firm*—Dennison, Meserole, Pollack & Scheiner

[57] **CLAIM**

The ornamental design for a battery pack, as shown and described.

**DESCRIPTION**

FIG. 1 is a perspective view of a battery pack showing my new design;

FIG. 2 is a front elevational view thereof;

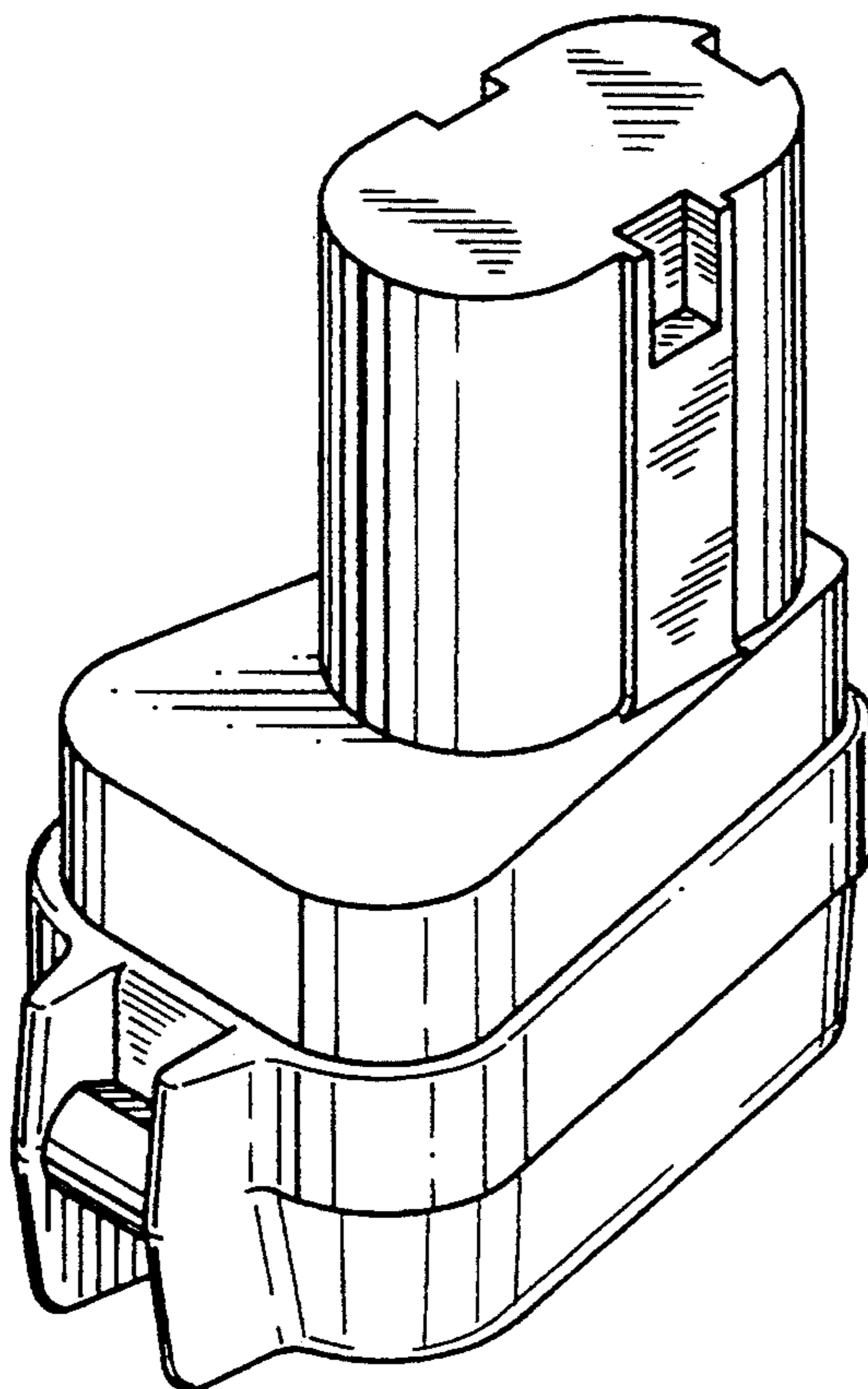
FIG. 3 is a rear elevational view thereof;

FIG. 4 is a left side elevational view thereof;

FIG. 5 is a right side elevational view thereof;

FIG. 6 is a top plan view thereof; and,

FIG. 7 is a bottom plan view thereof.



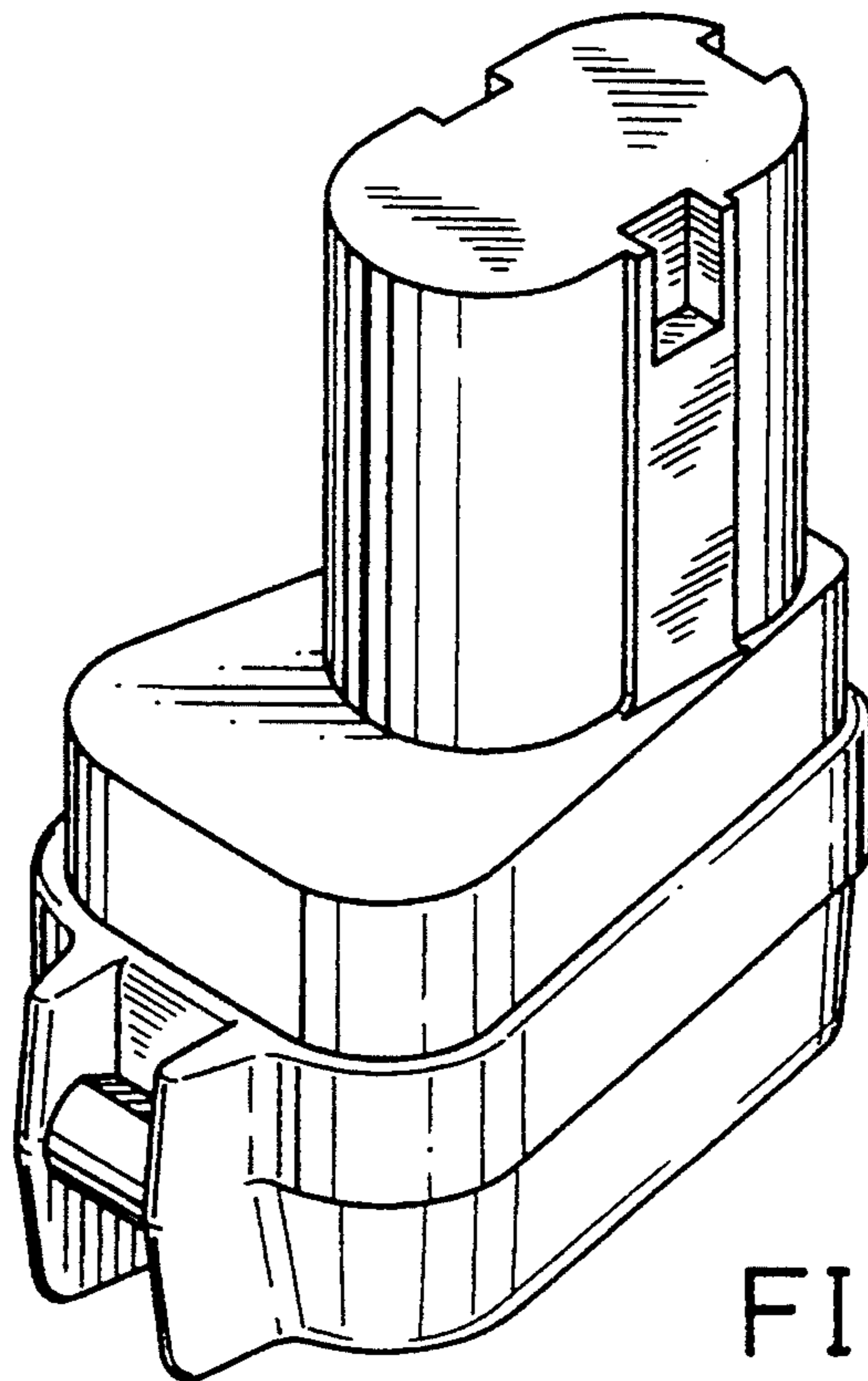


FIG. 1

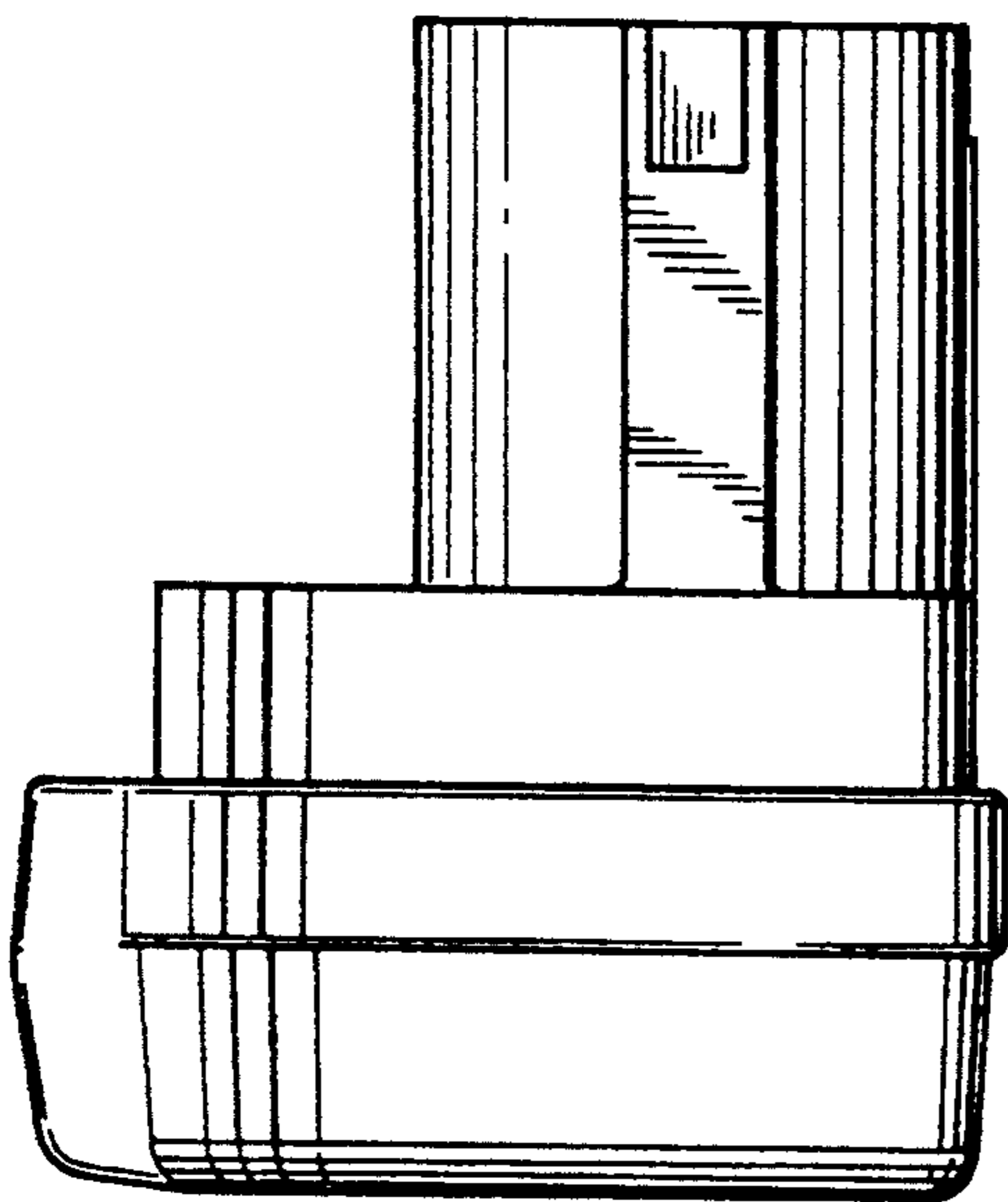


FIG. 2

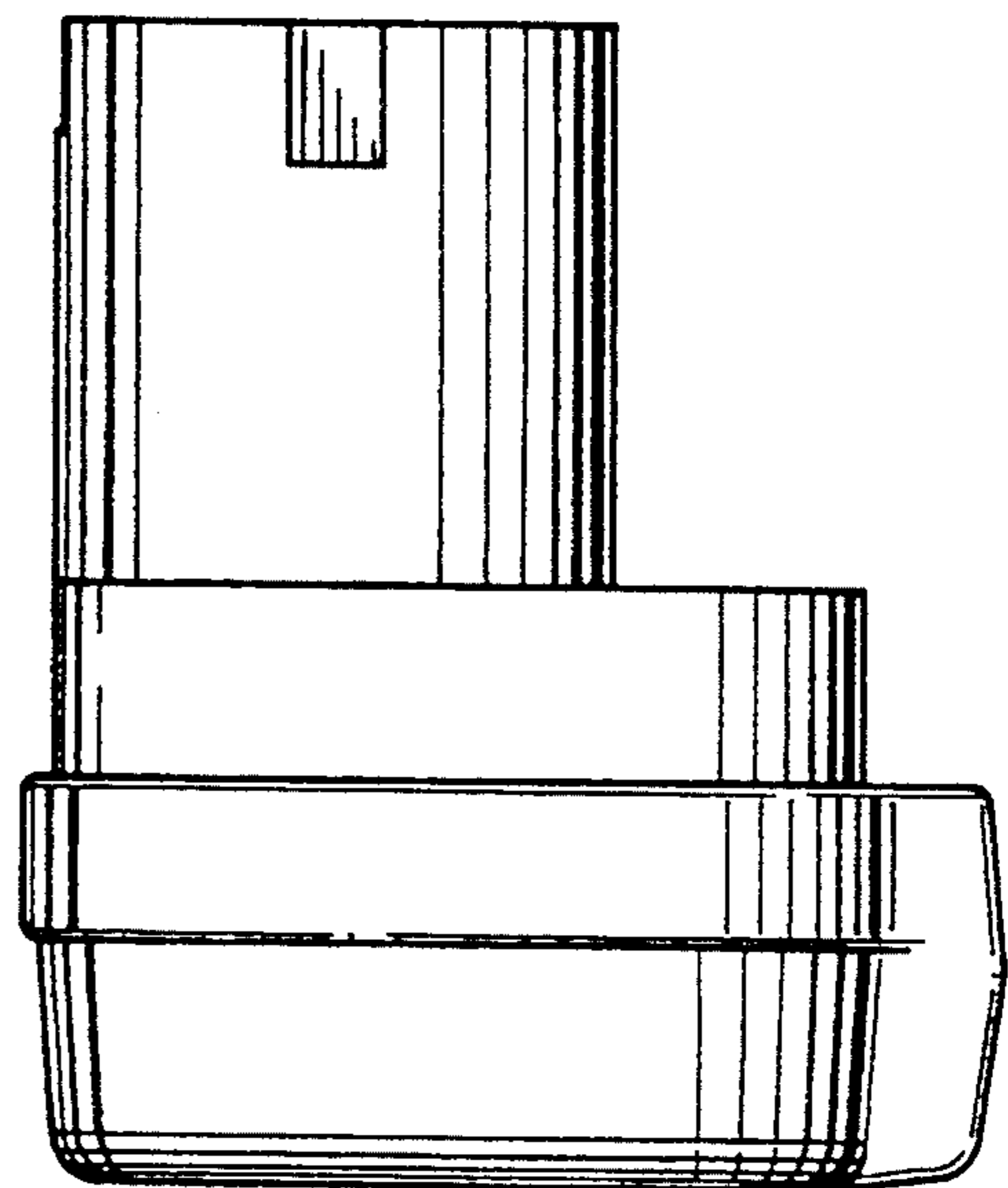


FIG. 3

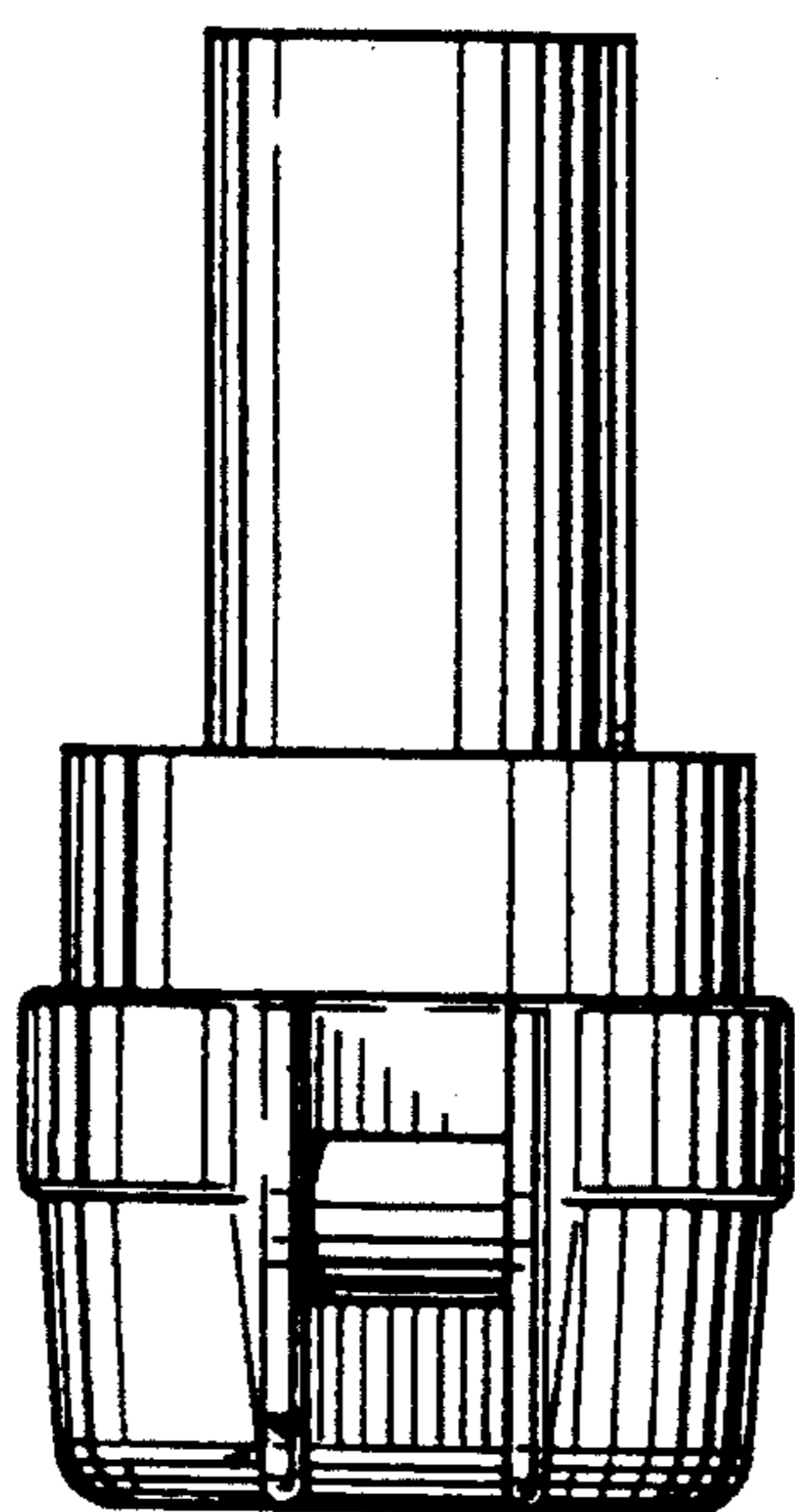


FIG. 4

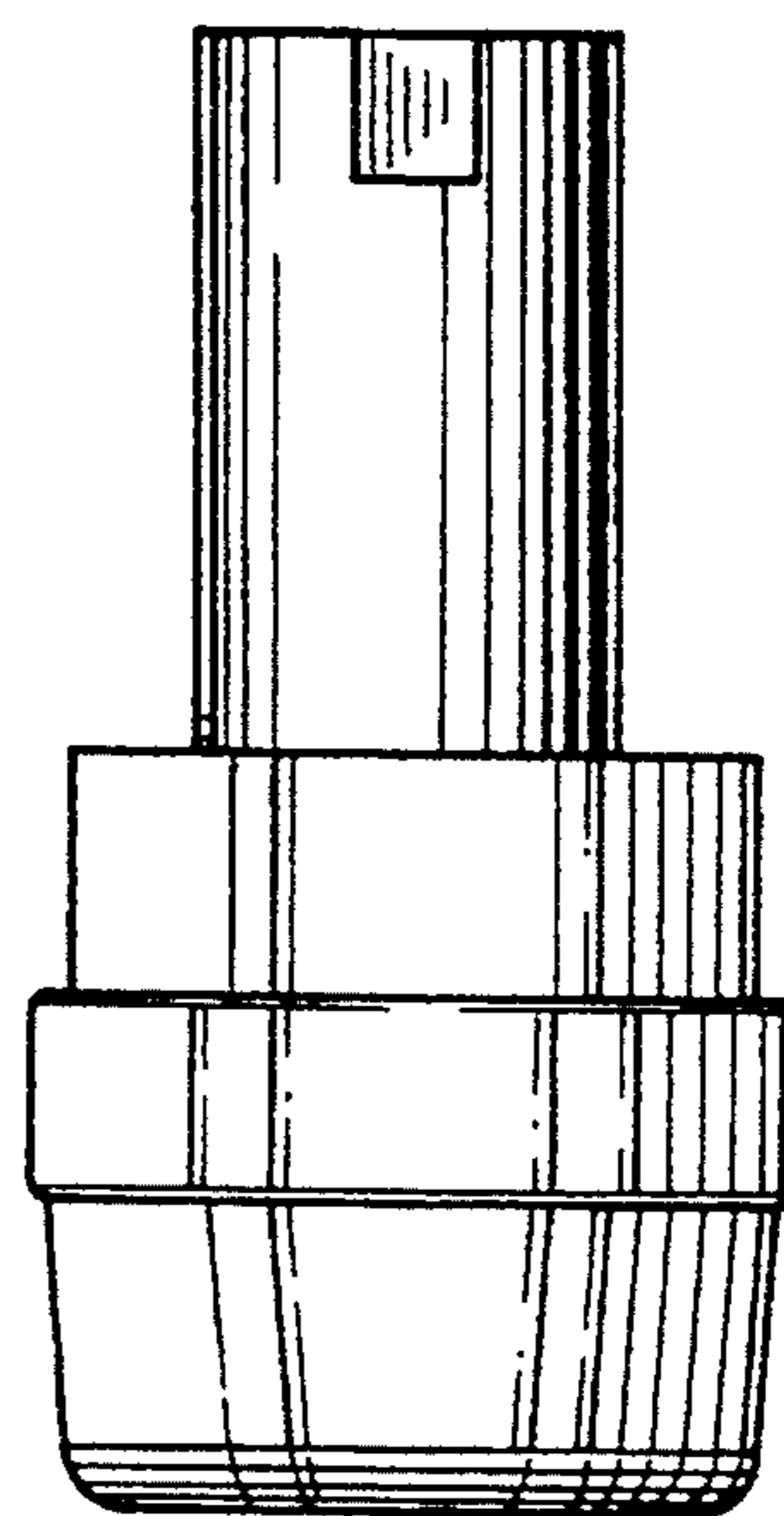


FIG. 5

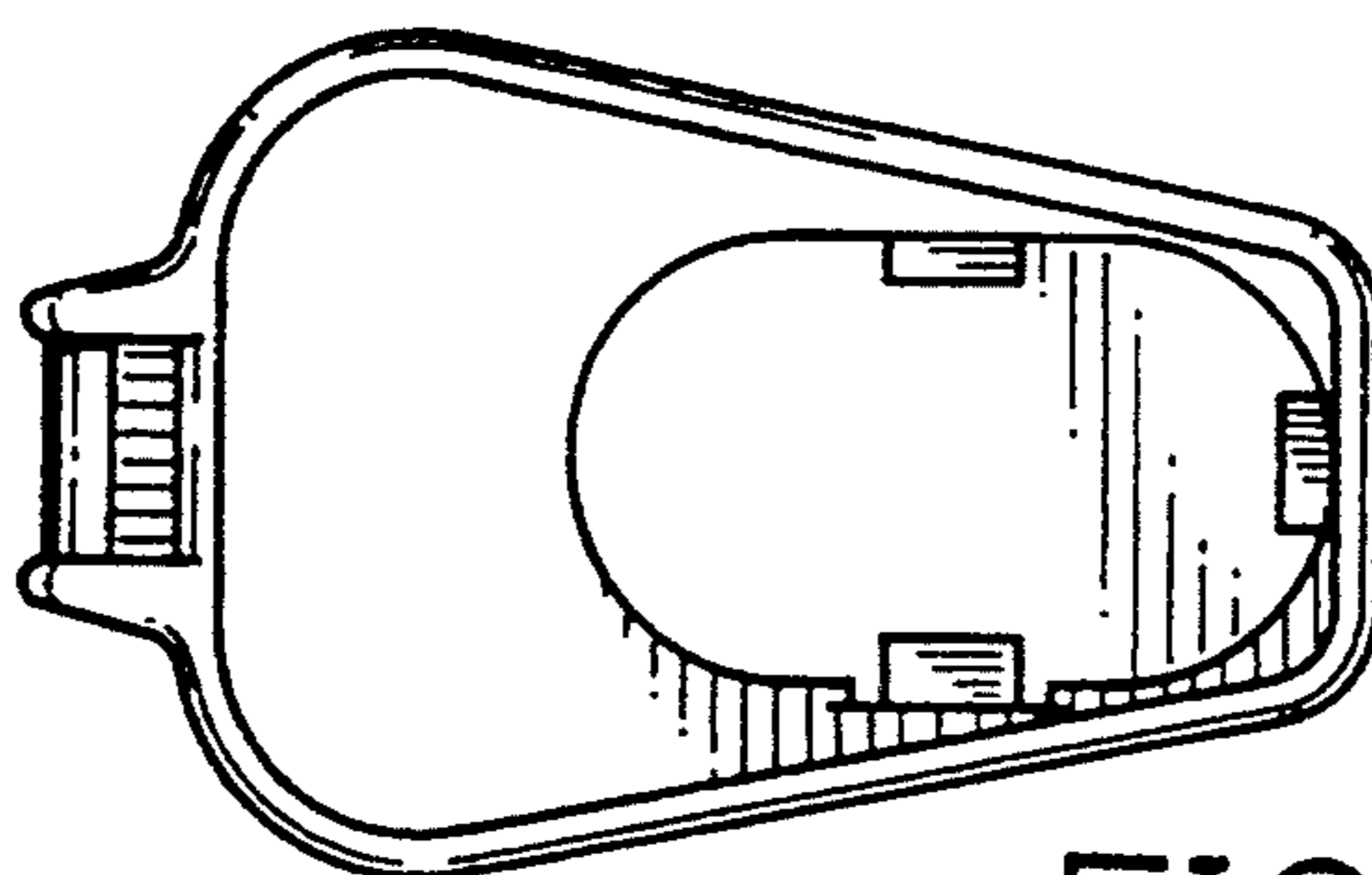


FIG. 6

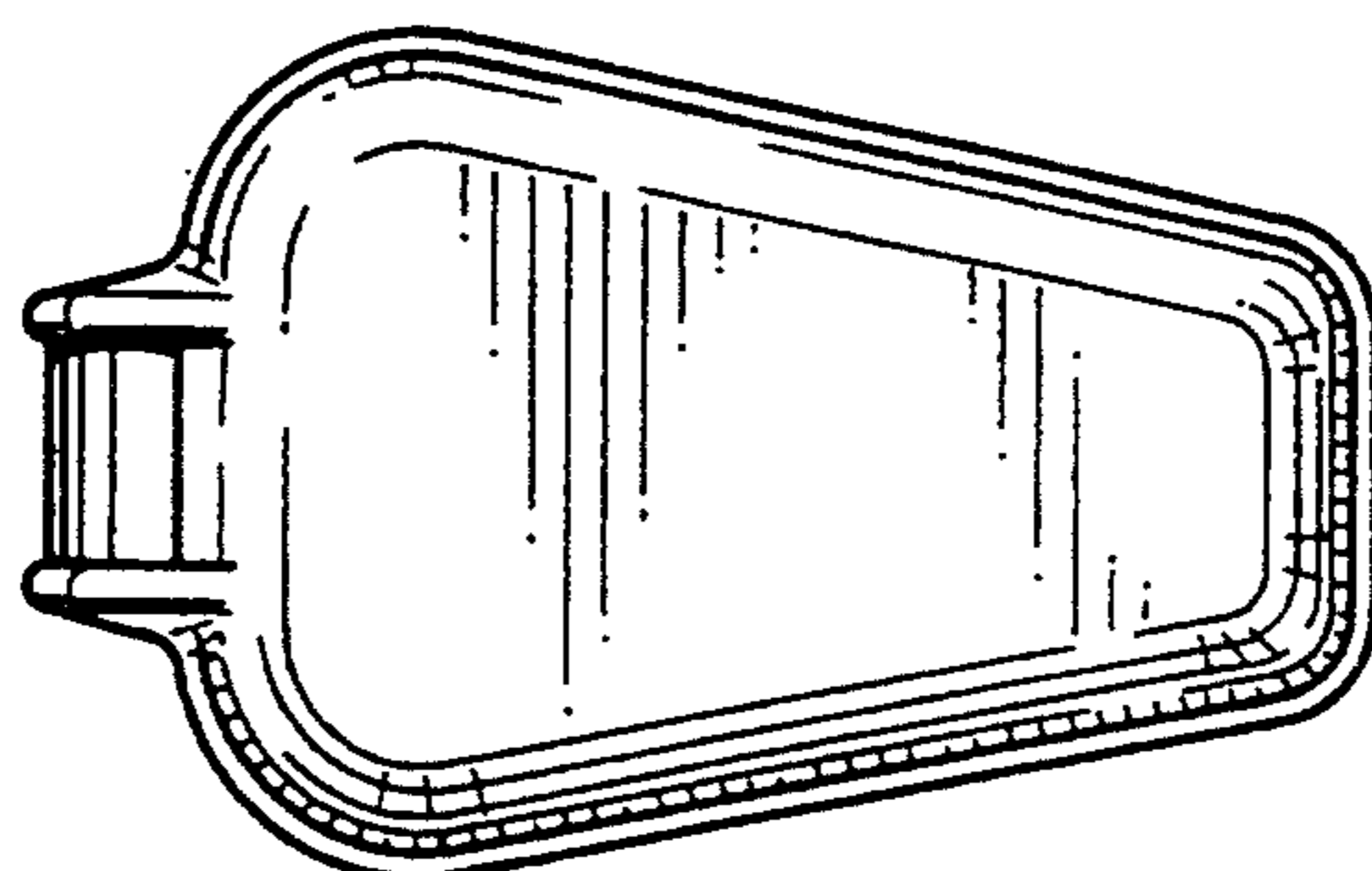


FIG. 7