



US00D350109S

**United States Patent** [19]  
**Ruffolo, Jr.**

[11] **Patent Number: Des. 350,109**  
[45] **Date of Patent: \*\* Aug. 30, 1994**

[54] **WINDOW MOUNT SNOWBOARD RACK**  
[75] **Inventor: Ralph J. Ruffolo, Jr., Kenosha, Wis.**  
[73] **Assignee: Ruffolo Enterprise, Inc., Kenosha, Wis.**  
[\*\*] **Term: 14 Years**  
[21] **Appl. No.: 4,737**  
[22] **Filed: Feb. 11, 1993**  
[52] **U.S. Cl. .... D12/406**  
[58] **Field of Search ..... 224/273, 42.42, 42.45 R, 224/42.46 R, 917; 211/87, 89; D12/157**

Ruffolo Enterprises, Inc., depicting ski rack design for mounting skis on vehicles in use as early as 1979. Two-sided brochure entitled "Ski-Hiker II" which advertises the product depicted in Trademark Reg. No. 1,409,973 by use of artist's sketches. Published Prior to 1993. One-sided advertising handout showing early use (approximately 1973-74) of Ruffolo Enterprises' Ski-Hiker design by actual photographs and instructions. Published Prior to 1993.

*Primary Examiner*—James M. Gandy  
*Attorney, Agent, or Firm*—Leydig, Voit & Mayer, Ltd.

[57] **CLAIM**

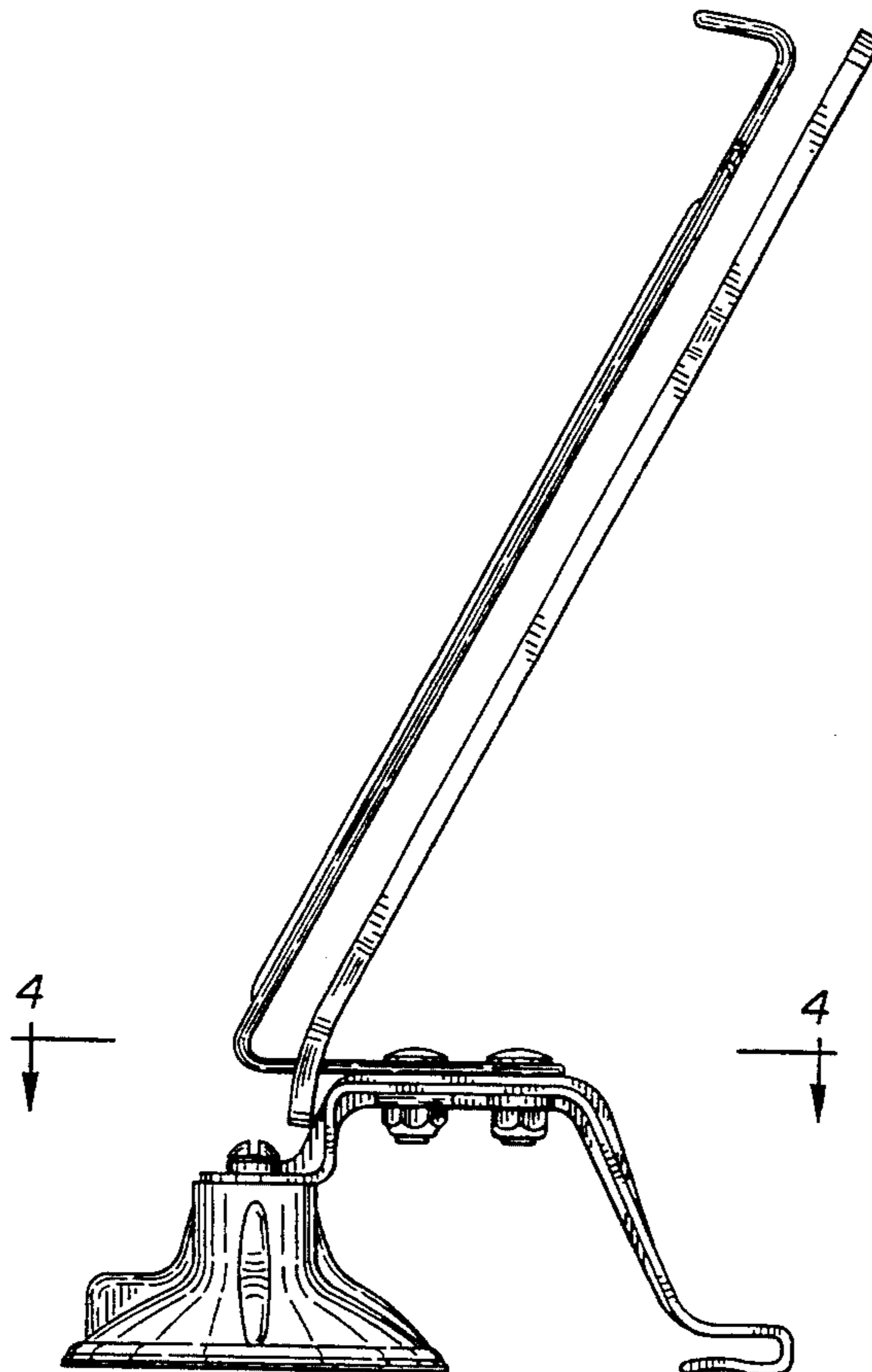
The ornamental design for a window mount snowboard rack, as shown and described.

**DESCRIPTION**

FIG. 1 is a side elevational view of a window mount snowboard rack showing my new design;  
FIG. 2 is a top plan view thereof, with the elastic strap broken away and positioned along side for clarity of illustration;  
FIG. 3 is a bottom plan view thereof with the inner end of the elastic strap broken away for clarity of illustration;  
FIG. 4 is a front end view thereof taken along the line 4-4 in FIG. 1; and,  
FIG. 5 is a rear end view with a portion of the suction cup broken away for clarity of illustration.

[56] **References Cited**  
**U.S. PATENT DOCUMENTS**  
D. 302,262 7/1989 Dickerman ..... D12/157  
2,157,001 5/1939 Morley ..... 248/206  
2,302,300 11/1942 Davies ..... 224/29  
2,549,391 4/1951 Secord ..... 211/86  
3,286,892 11/1966 Marshall ..... 224/42.1  
3,333,750 8/1967 Porter ..... 224/29  
4,077,554 3/1978 Goode ..... 224/42.46 R  
4,231,501 11/1980 Goode ..... 224/42.46 R

**OTHER PUBLICATIONS**  
Copy of Design Trademark Certificate Reg. No. 1,409,973 issued 9/16/86 of Ralph J. Ruffolo, d/b/a



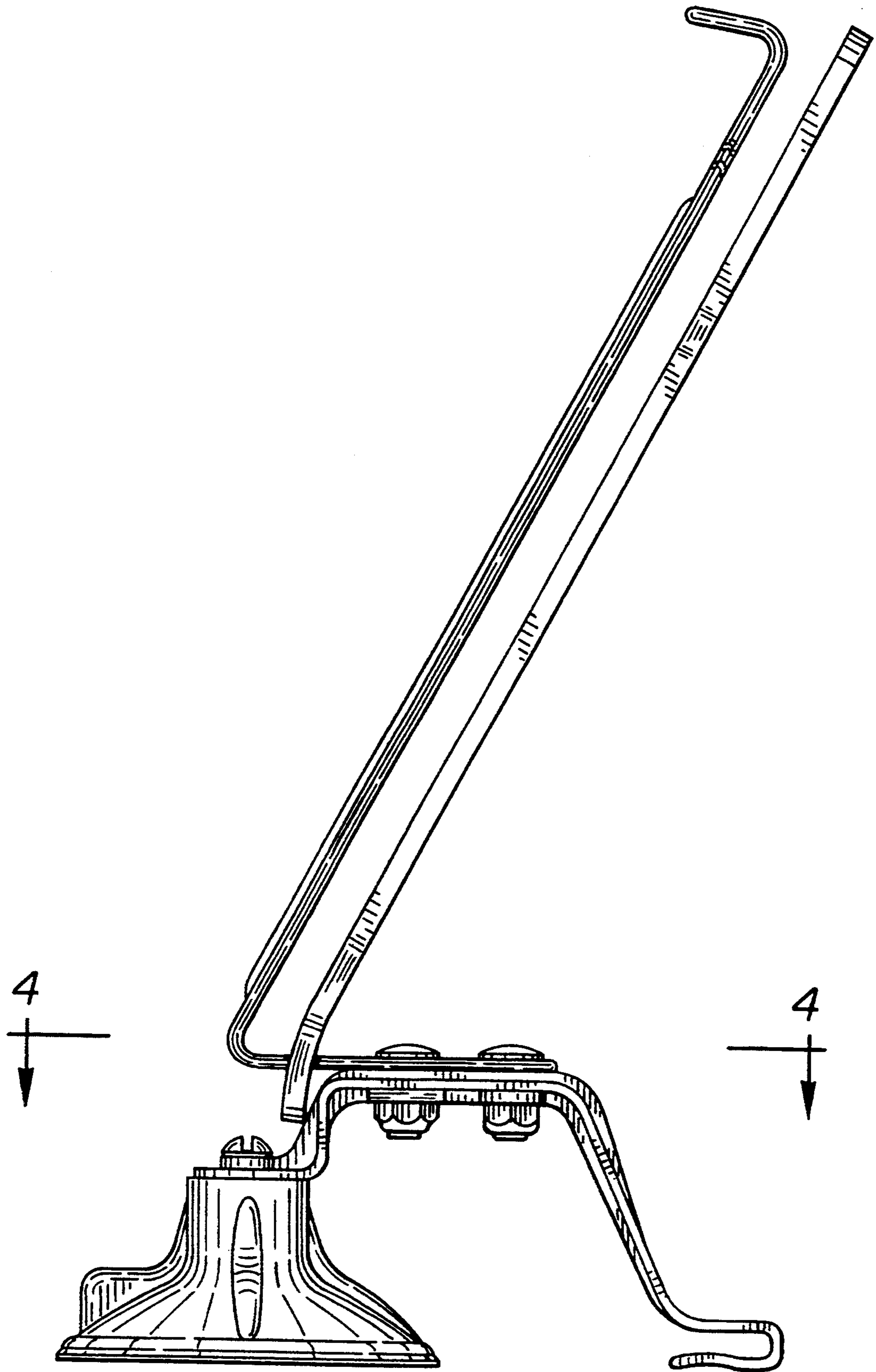


FIG. 1

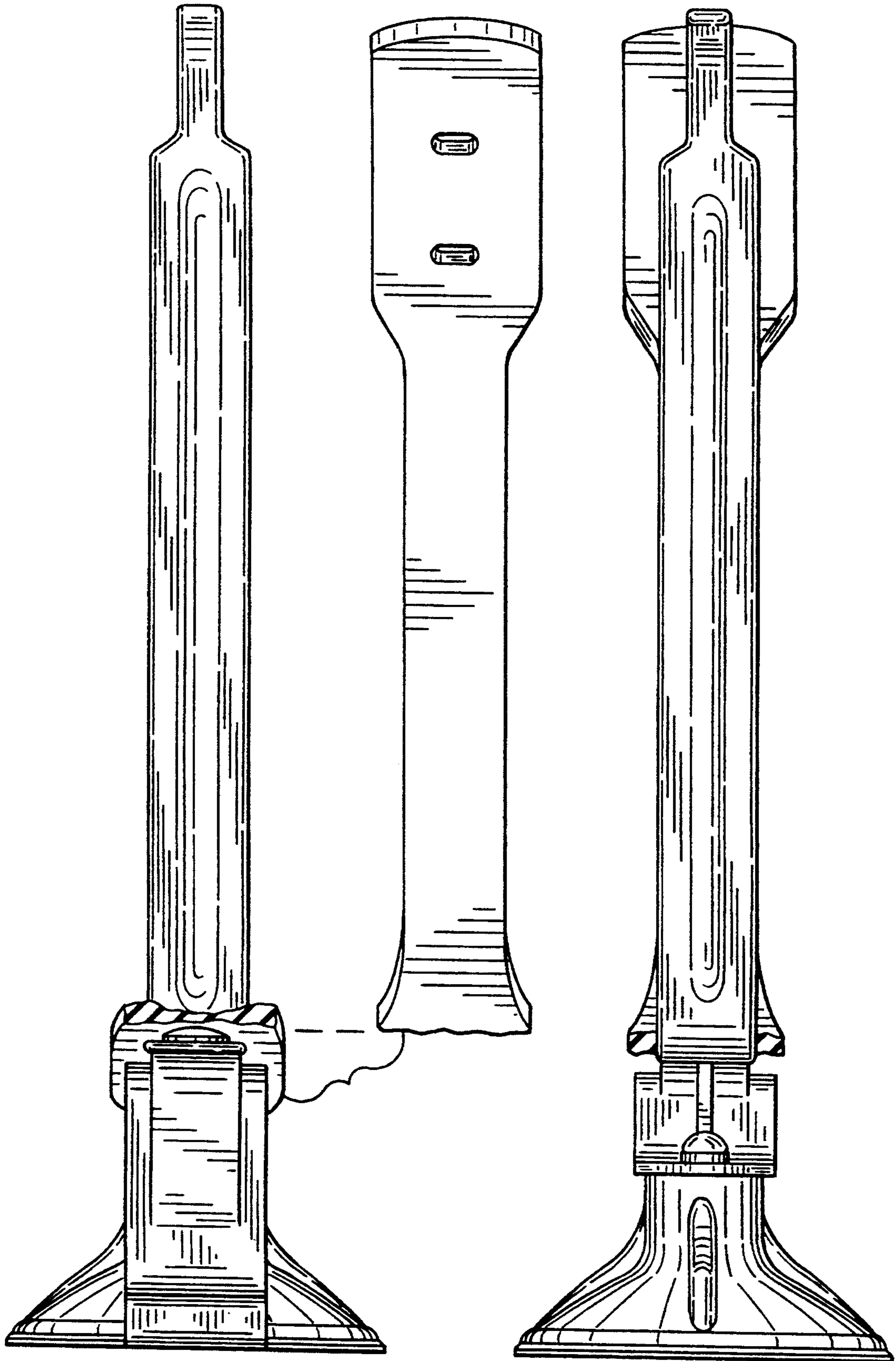


FIG. 2

FIG. 3



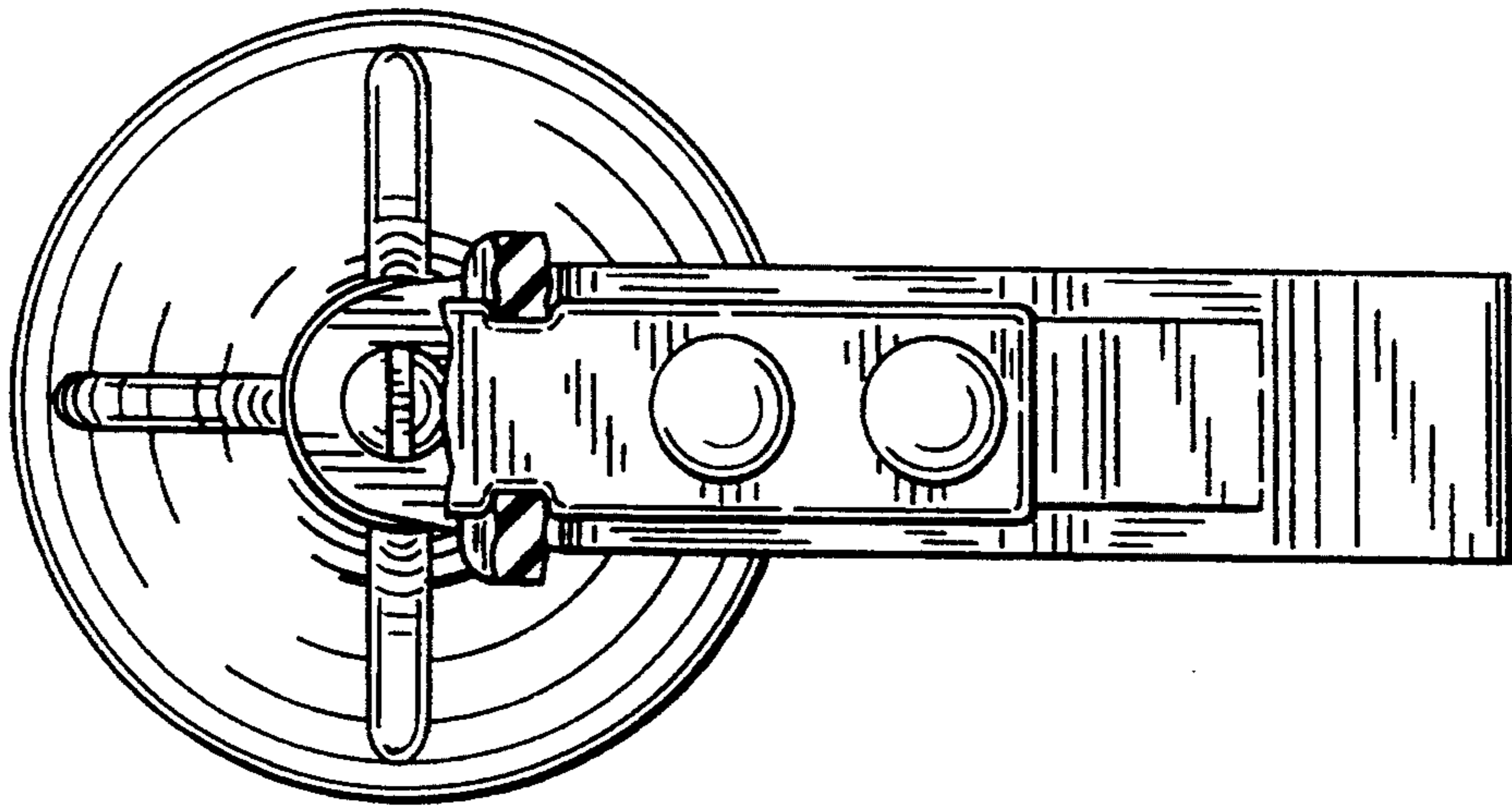


FIG. 4

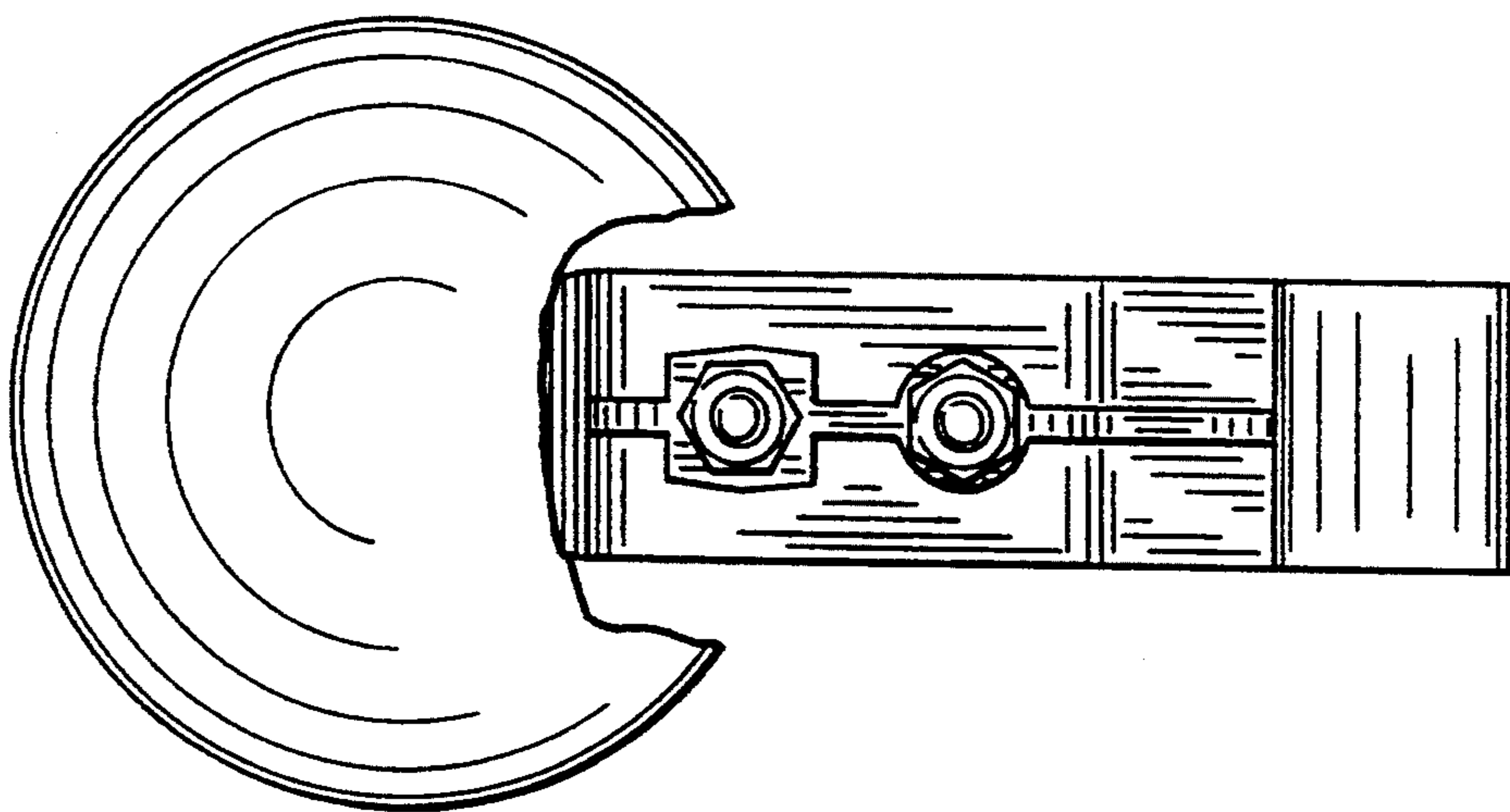


FIG. 5