



US00D350108S

United States Patent [19]
Blanchard

[11] **Patent Number: Des. 350,108**

[45] **Date of Patent: ** Aug. 30, 1994**

[54] **COVER FOR THE BED OF A PICKUP TRUCK**

[76] Inventor: **Kenneth S. Blanchard**, 3632 Esquire Dr., Canal Winchester, Ohio 43110

[**] Term: **14 Years**

[21] Appl. No.: **11,781**

[22] Filed: **Aug. 16, 1993**

[52] U.S. Cl. **D12/401**

[58] Field of Search 296/10, 99.1, 100;
D12/156

[56] **References Cited**

U.S. PATENT DOCUMENTS

- D. 212,469 10/1968 Kroll D12/156
- D. 213,361 2/1969 Gardner D12/156
- D. 250,012 10/1978 Windecker et al. D12/156

- D. 272,333 1/1984 Potterbaum et al. D12/156
- D. 325,366 4/1992 Mansberger D12/156

Primary Examiner—James M. Gandy
Attorney, Agent, or Firm—Thomas S. Baker, Jr.

[57] **CLAIM**

The ornamental design for a cover for the bed of a pickup truck, as shown as described.

DESCRIPTION

FIG. 1 is a perspective view of the cover for the bed of a pickup truck;
 FIG. 2 is a left side view thereof;
 FIG. 3 is a rear view thereof;
 FIG. 4 is a front view thereof;
 FIG. 5 is a top view of the cover for the bed of a pickup truck; and,
 FIG. 6 is a bottom view thereof.

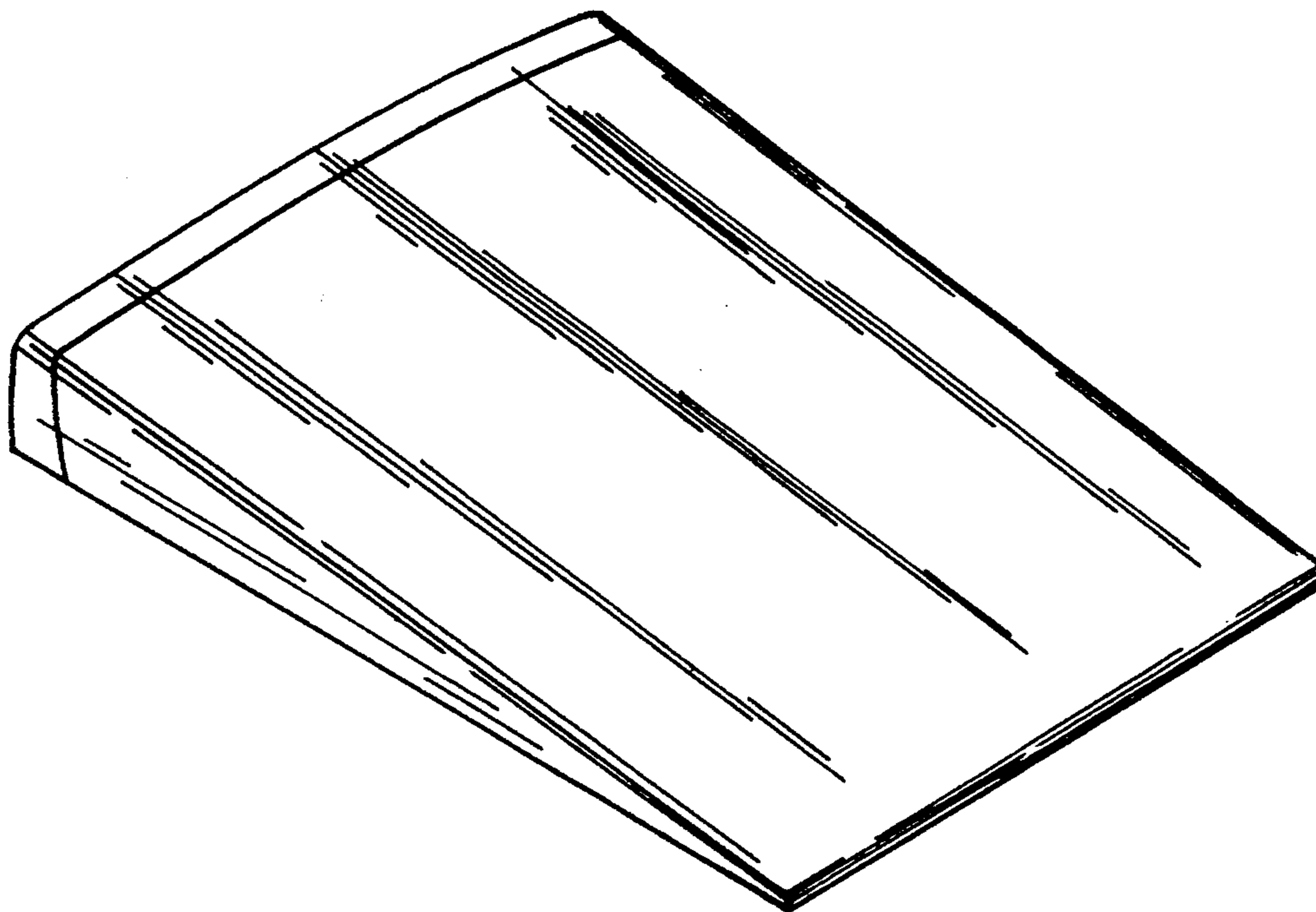


FIG. 1

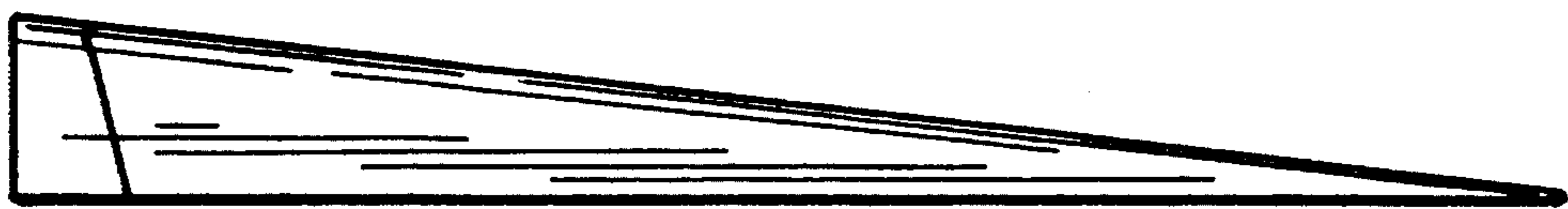
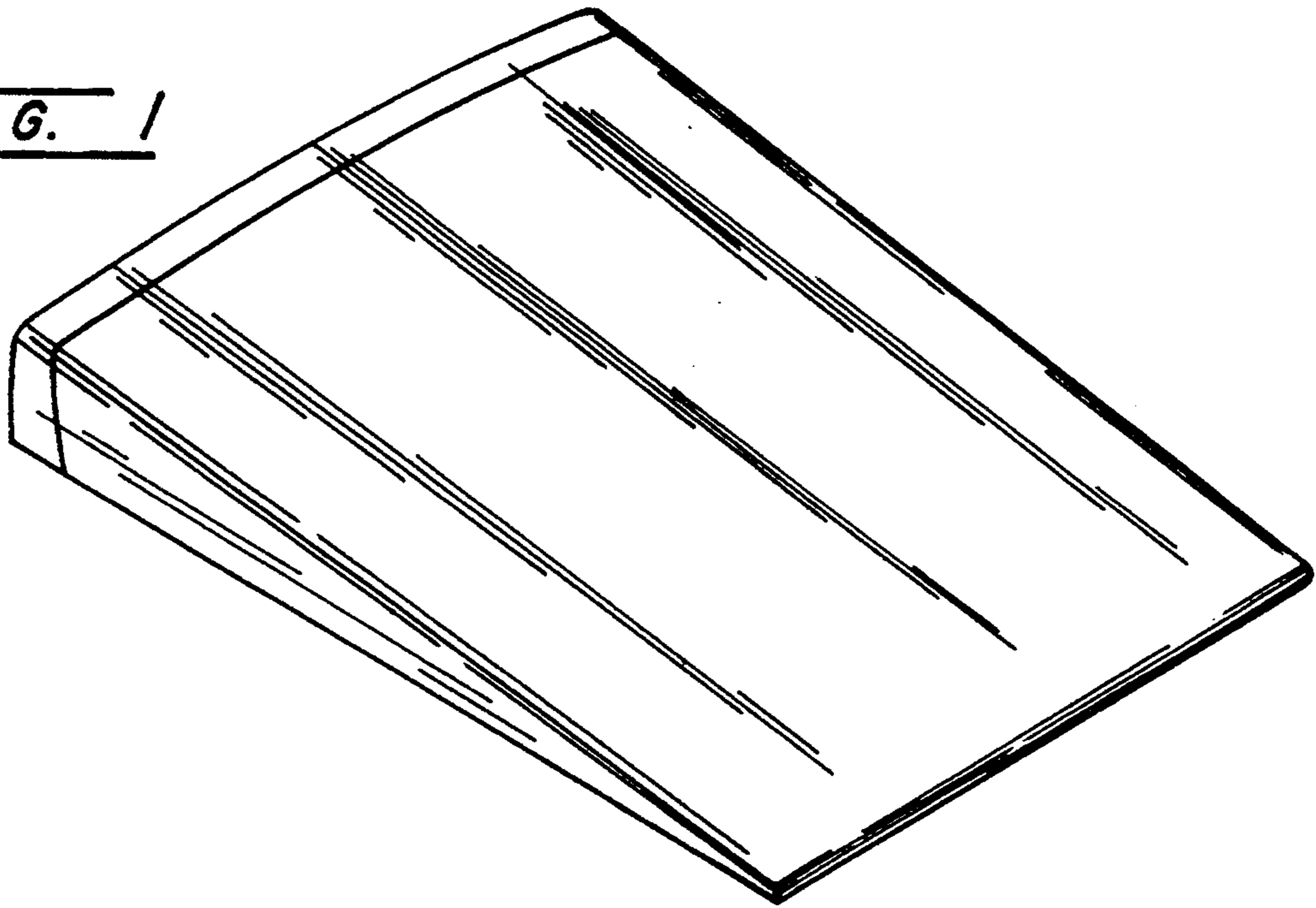


FIG. 2

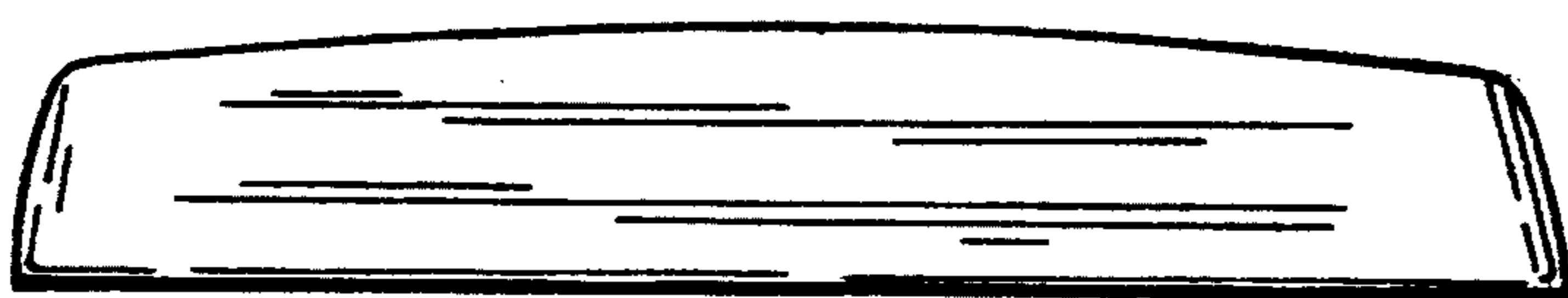


FIG. 3

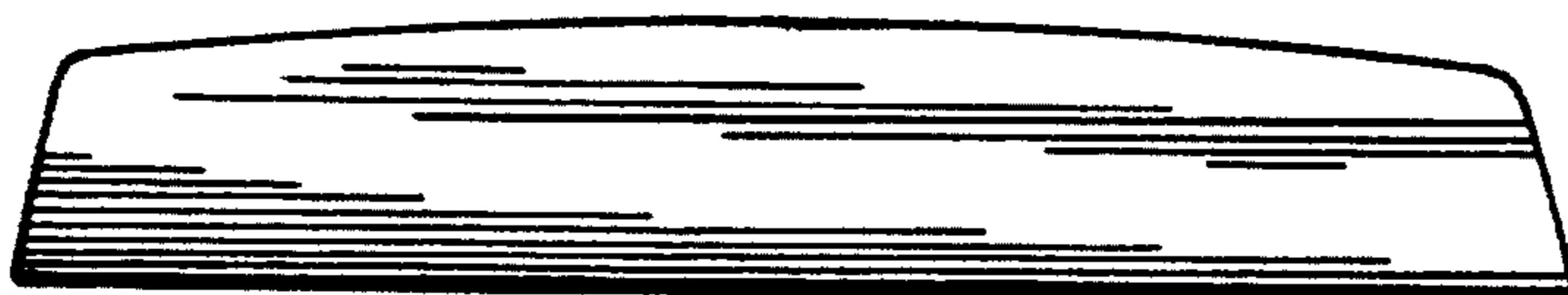


FIG. 4

FIG. 5

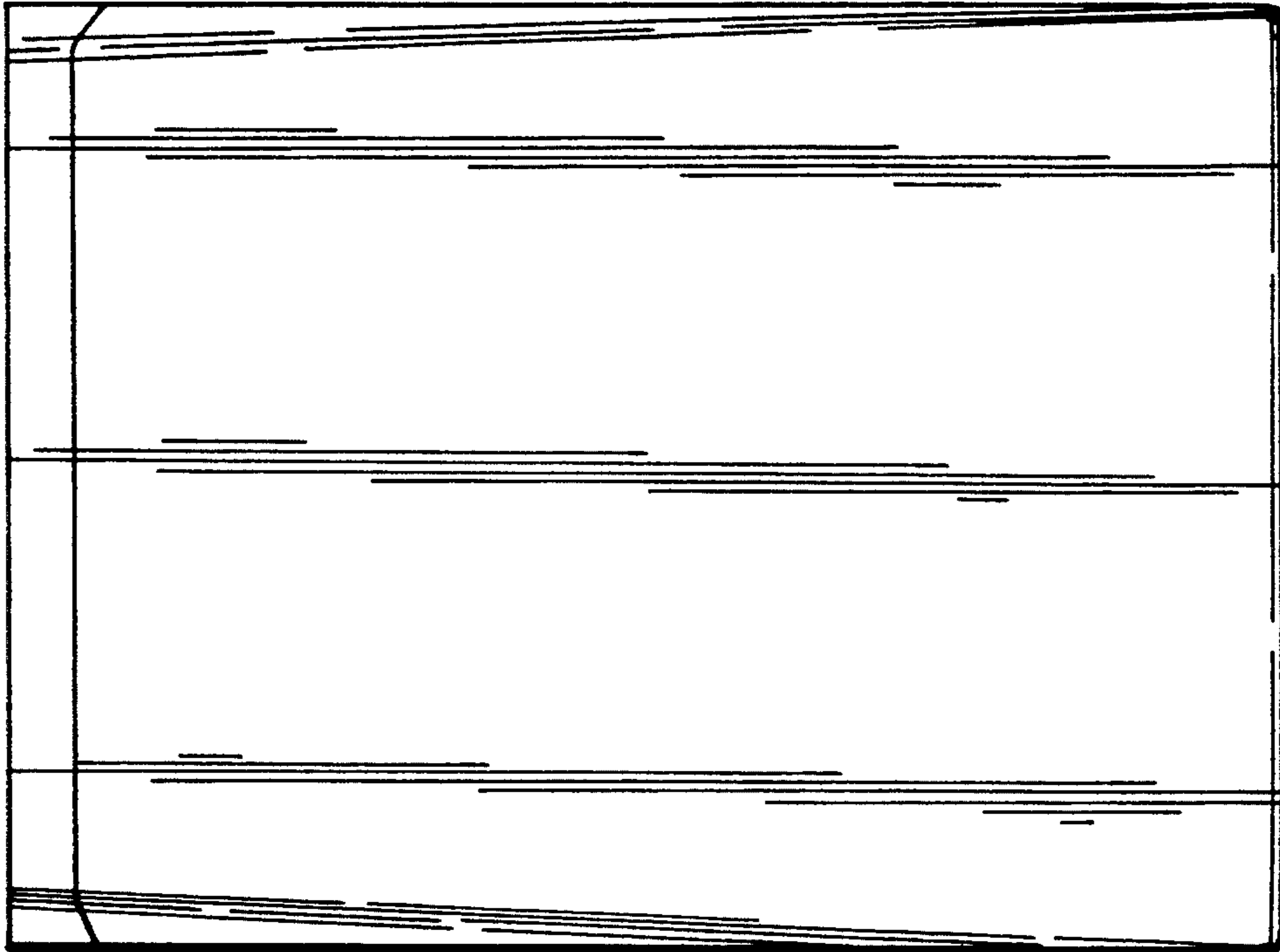


FIG. 6

