



US00D350106S

United States Patent [19]

[11] Patent Number: Des. 350,106

Ina

[45] Date of Patent: ** Aug. 30, 1994

[54] LIQUID CRYSTAL VIDEO PROJECTOR

D. 339,817	9/1993	Fukuda et al.	D16/230
D. 343,849	2/1994	Miyahara	D16/225
3,269,793	8/1966	White, Jr.	352/29

[75] Inventor: Takao Ina, Kanagawa, Japan

[73] Assignee: Fuji Photo Film Co., Ltd., Kanagawa, Japan

Primary Examiner—Bernard Ansher
Assistant Examiner—Adir Aronovich
Attorney, Agent, or Firm—Young & Thompson

[**] Term: 14 Years

[57] CLAIM

[21] Appl. No.: 3,004

The ornamental design for a liquid crystal video projector, as shown and described.

[22] Filed: Dec. 23, 1992

DESCRIPTION

[30] Foreign Application Priority Data

FIG. 1 is a front, top and side perspective view of a liquid crystal video projector showing my new design; FIG. 2 is a front elevational view thereof; FIG. 3 is a rear elevational view thereof; FIG. 4 is a top plan view thereof; FIG. 5 is a bottom plan view thereof; FIG. 6 is a side view thereof from the left of FIG. 2; FIG. 7 is a side view thereof from the right of FIG. 2; and, FIG. 8 is a top plan view thereof, with a handle in an extended position.

Jun. 26, 1992 [JP] Japan 4-19248

[52] U.S. Cl. D16/234; D16/221

[58] Field of Search 352/34, 242, 29; 353/115, 119; 354/82, 288; D16/200-205, 208, 218, 221, 225, 230, 231, 233, 234; D21/110

[56] References Cited

U.S. PATENT DOCUMENTS

D. 321,527	11/1991	Kurozumi et al.	D16/234
D. 331,768	12/1992	Saeki et al.	D16/225

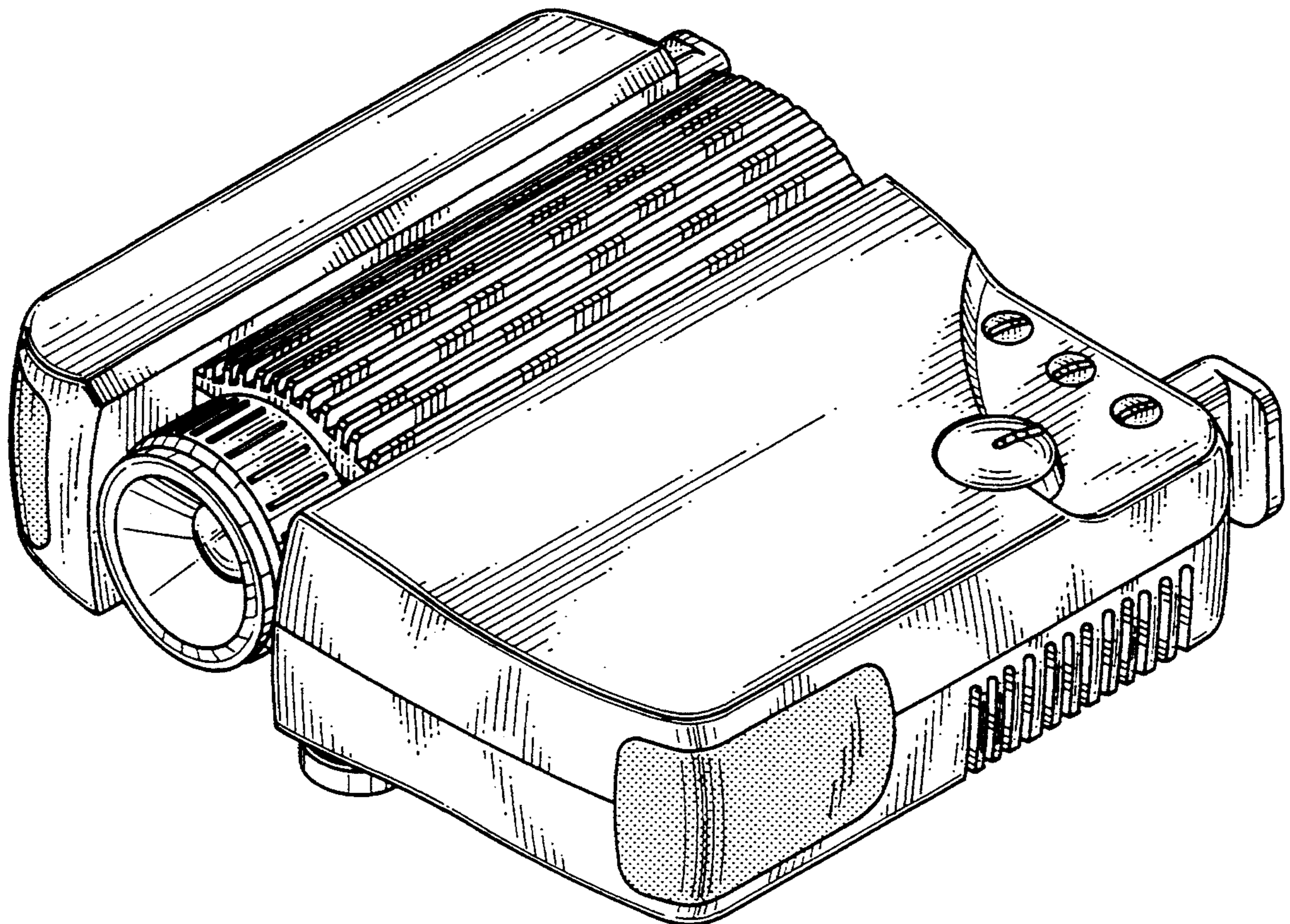


FIG. 1

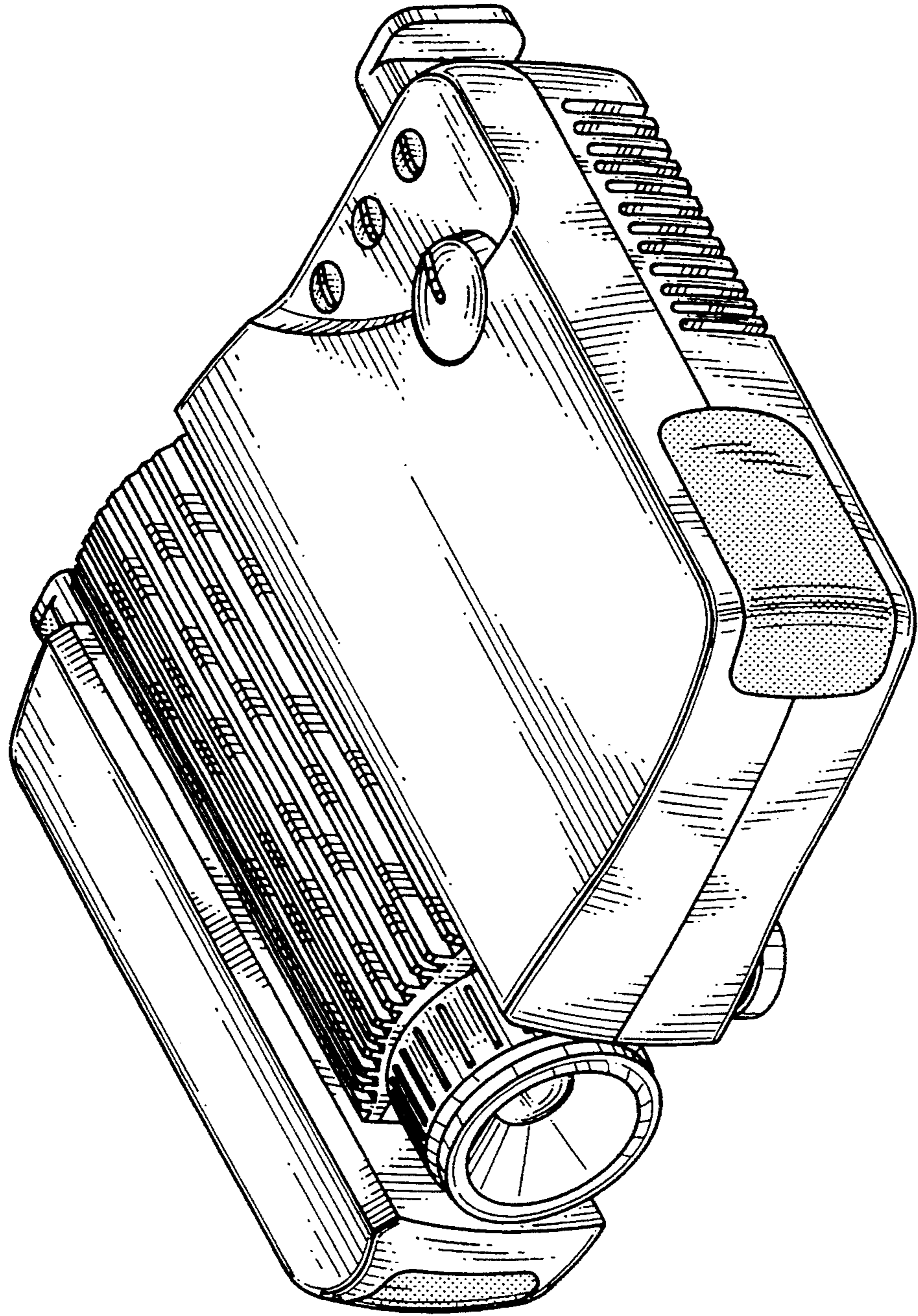


FIG. 2

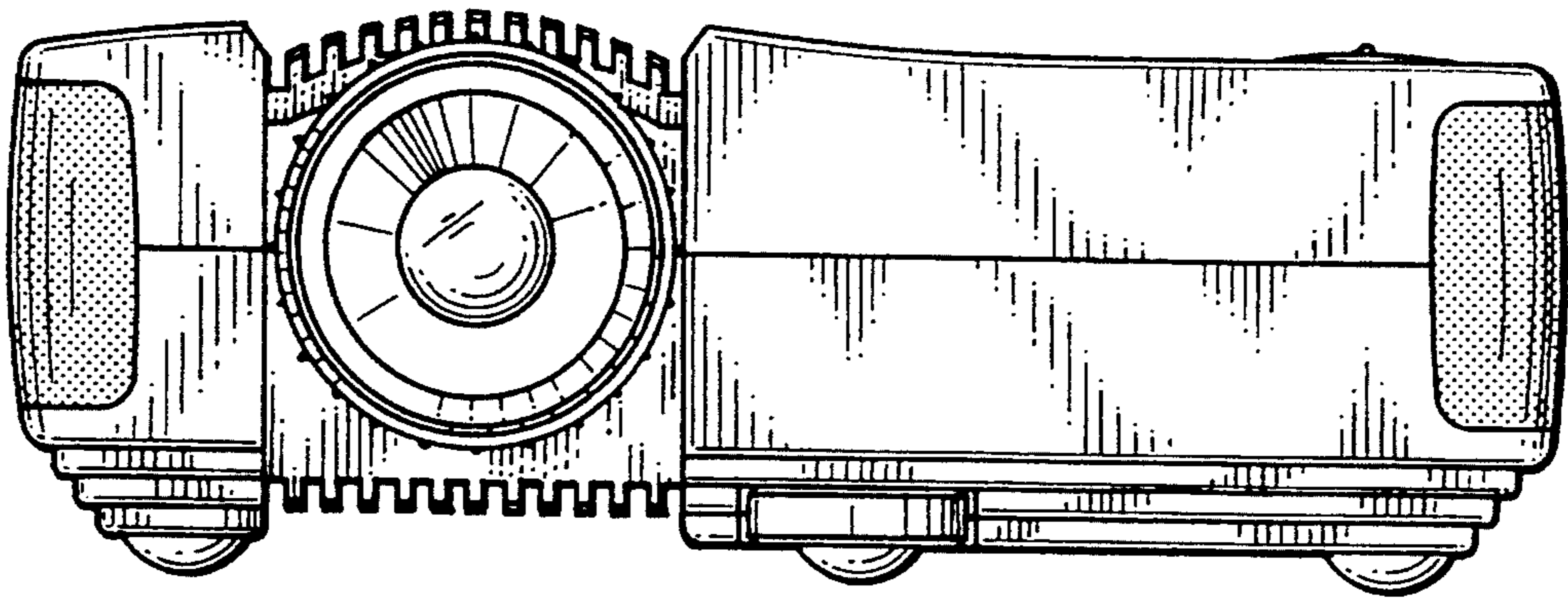


FIG. 3

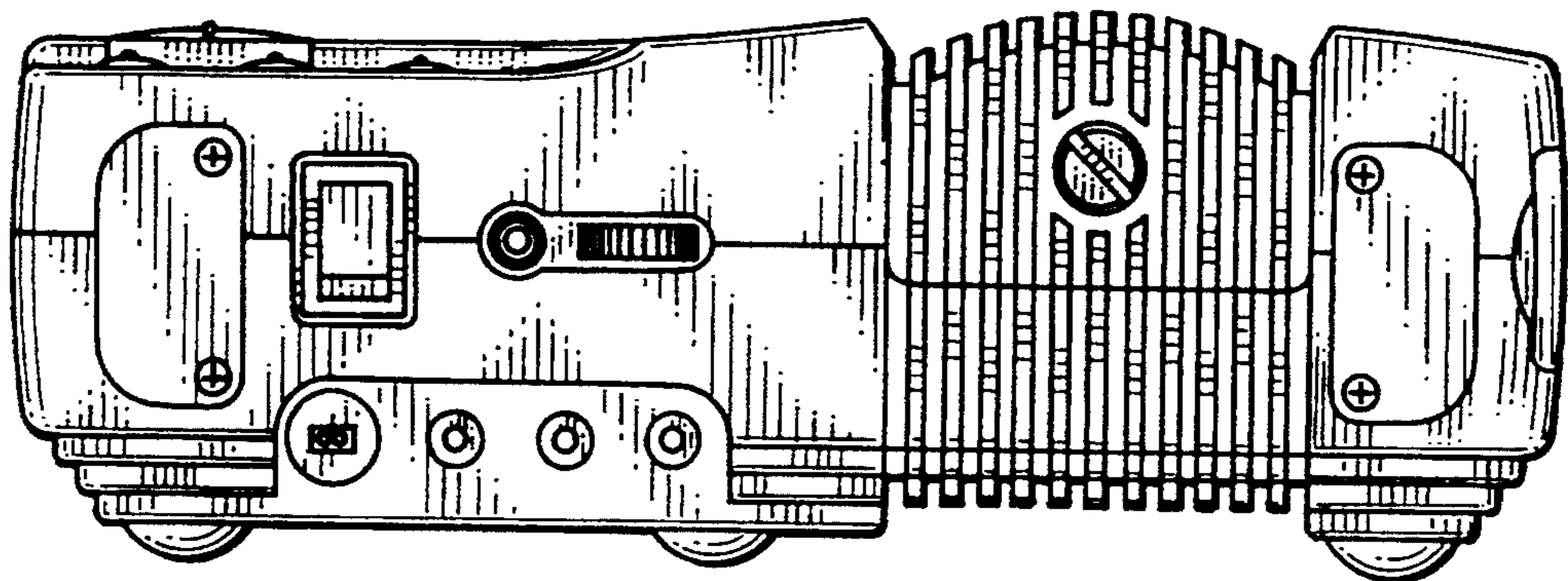


FIG. 4

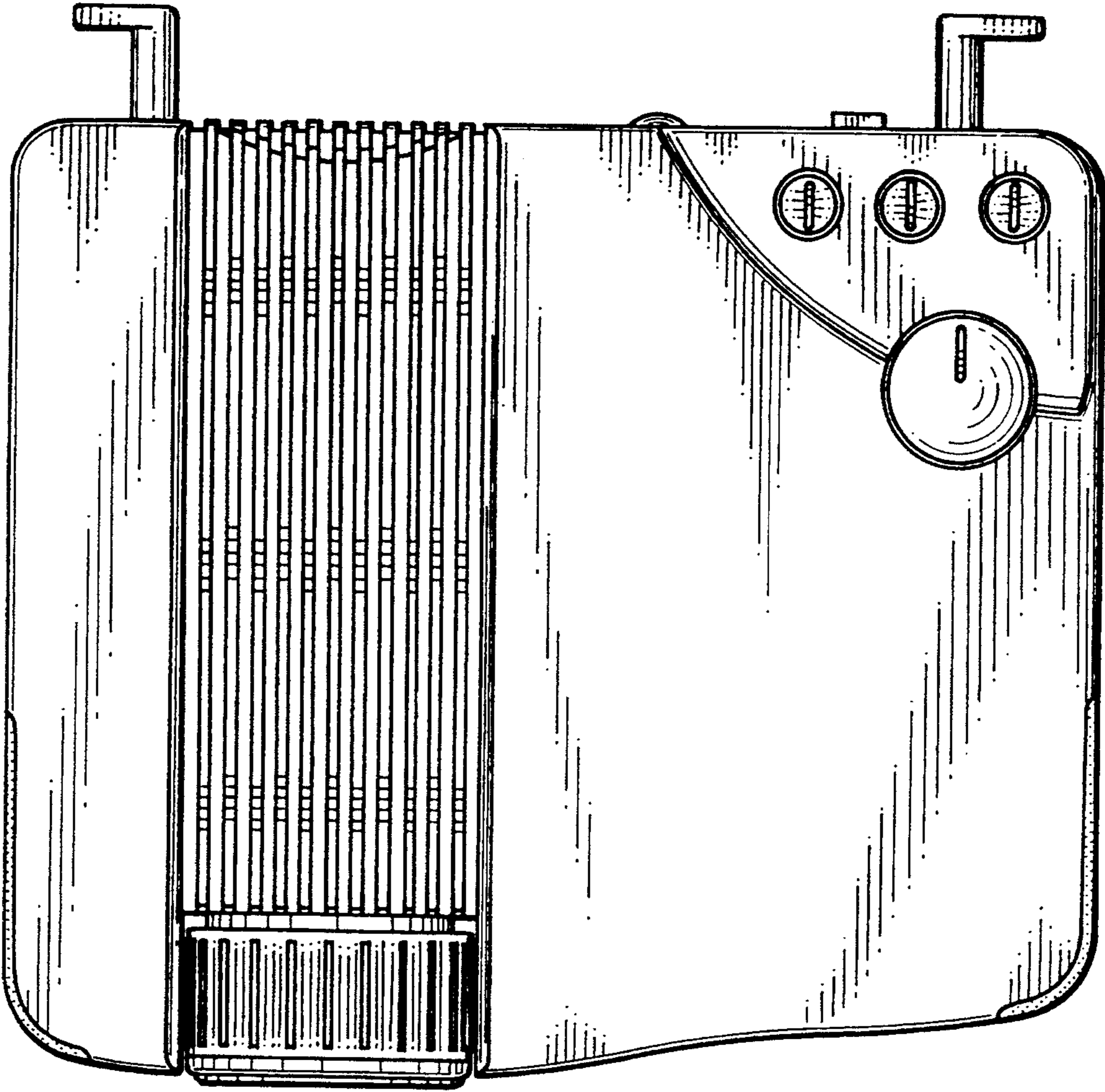


FIG. 5

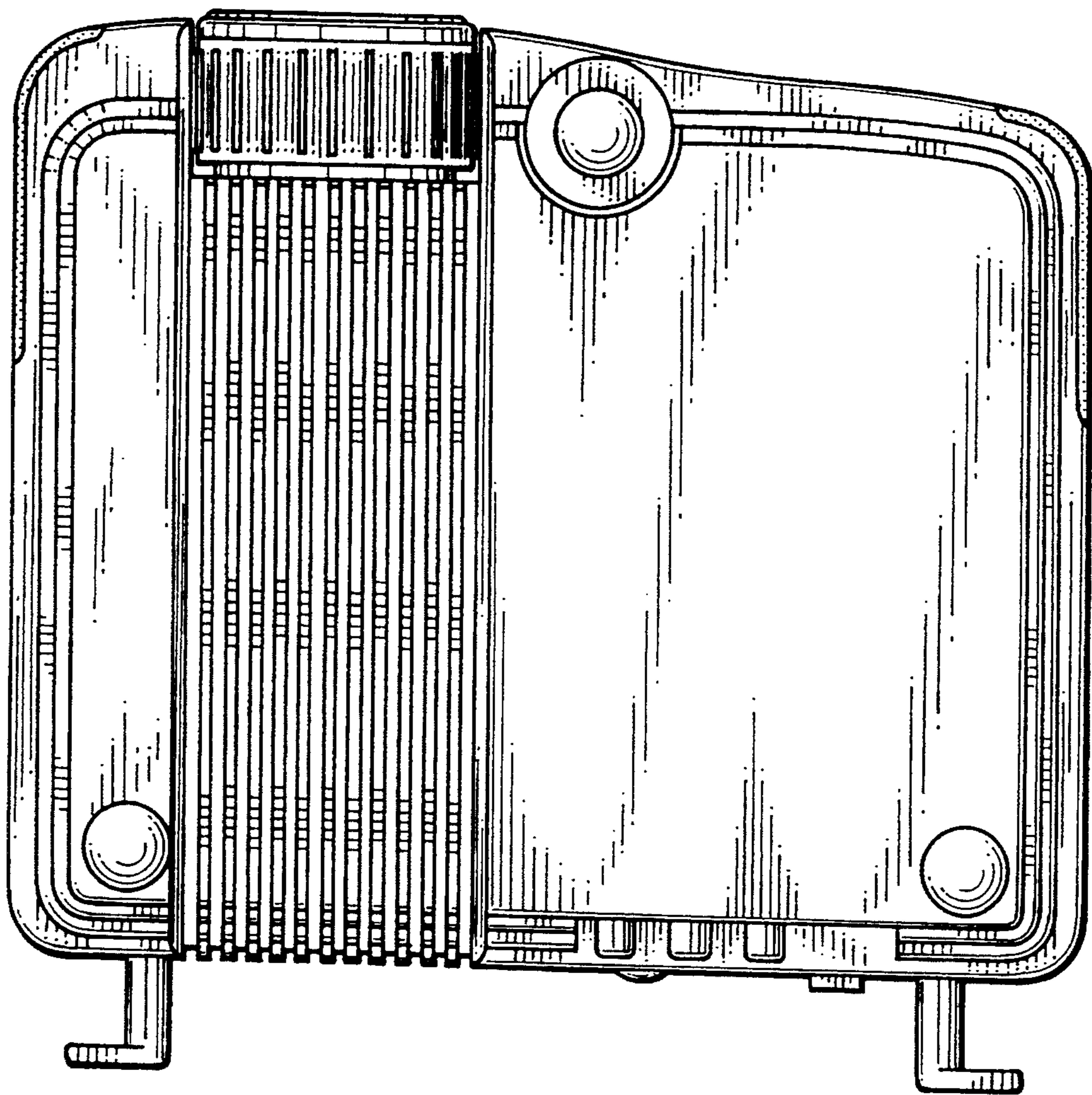


FIG. 6

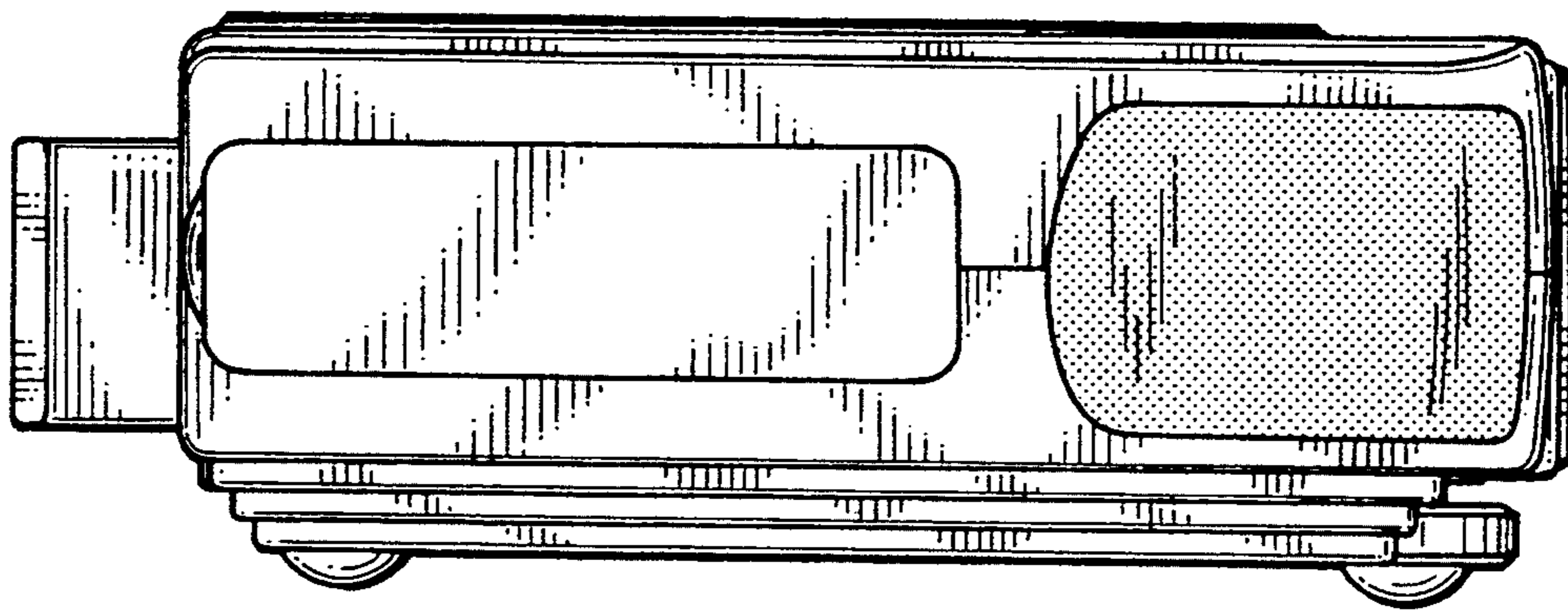


FIG. 7

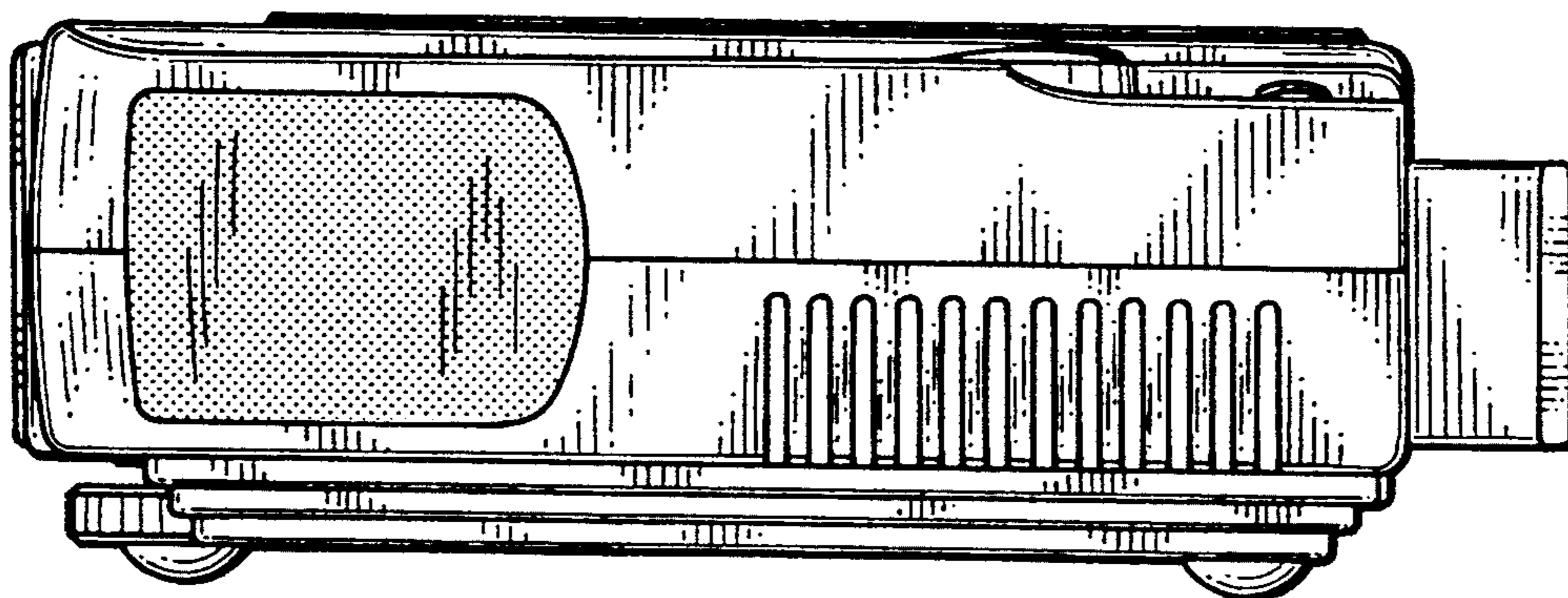


FIG. 8

