



US00D350105S

United States Patent [19]

[11] Patent Number: **Des. 350,105**

Schroeder

[45] Date of Patent: **** Aug. 30, 1994**

[54] **INTERIOR LINER AND SEATING UNIT FOR THE BED OF A PICKUP TRUCK**

Primary Examiner—James M. Gandy
Attorney, Agent, or Firm—Fulwider Patton Lee & Utecht

[75] Inventor: **Hartmut W. Schroeder**, Rossmoor, Calif.

[57] **CLAIM**

[73] Assignee: **Custom Fibreglass Mfg. Co., Inc.**, Long Beach, Calif.

The ornamental design for a interior liner and seating unit for the bed of a pickup truck, as shown and described.

[**] Term: **14 Years**

DESCRIPTION

[21] Appl. No.: **3,452**

FIG. 1 is a perspective view of a interior liner and seating unit for the bed of a pickup truck showing my new design;

[22] Filed: **Jan. 6, 1993**

[52] U.S. Cl. **D12/221**

FIG. 2 is an enlarged top plan view thereof;

[58] Field of Search 296/39.2, 37.6; D12/98

FIG. 3 is an enlarged rear elevation view thereof;

[56] **References Cited**

U.S. PATENT DOCUMENTS

- D. 248,386 7/1978 Hefner D12/98
- D. 310,343 9/1990 Angerer D12/98
- D. 325,716 4/1992 Larson D12/98

FIG. 4 is an enlarged front elevation view thereof;

FIG. 5 is an enlarged side elevation view thereof, it being understood that the opposite side is a mirror image of that shown; and,

FIG. 6 is an enlarged bottom plan view thereof.

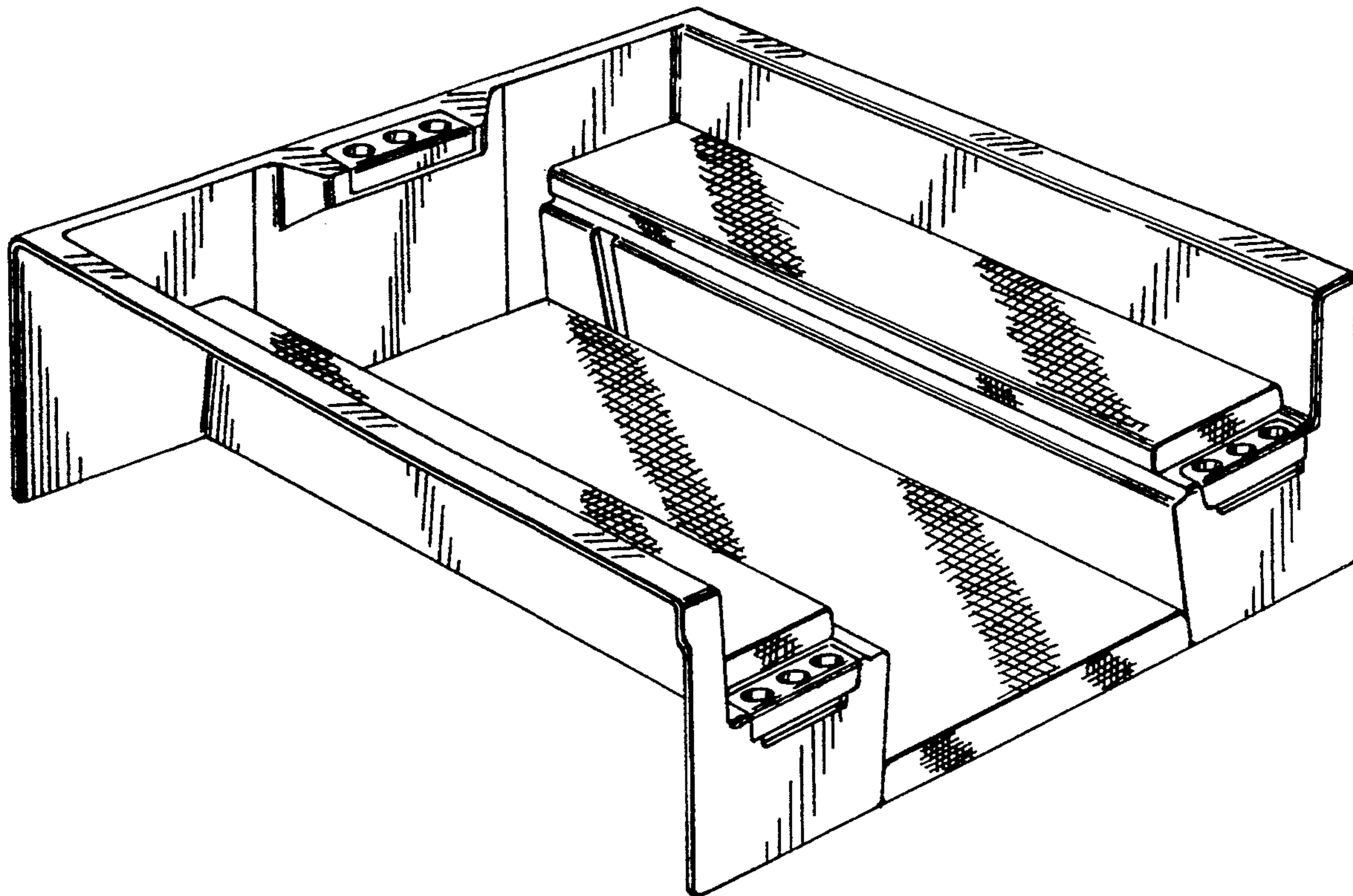


FIG. 1

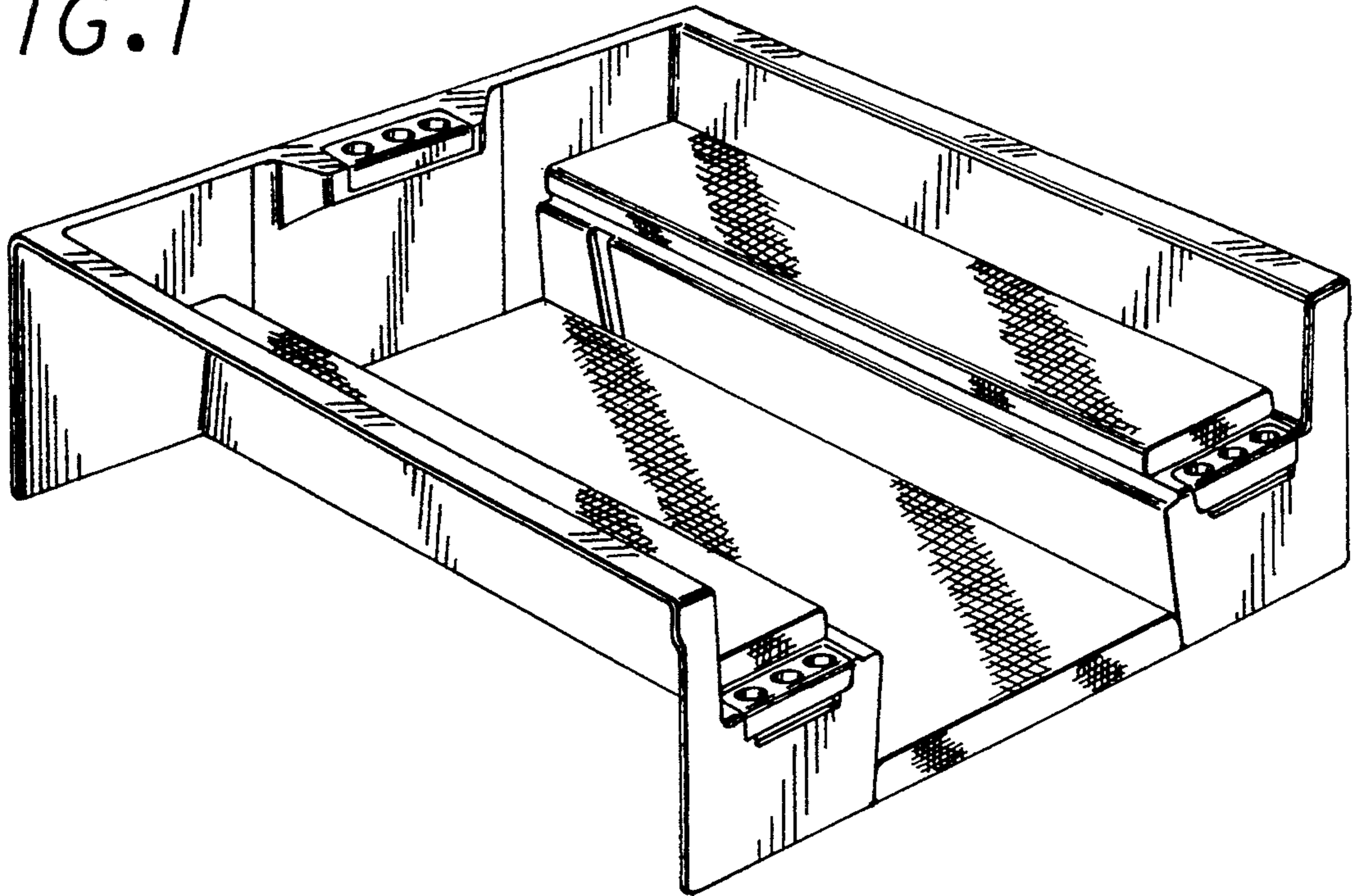


FIG. 2

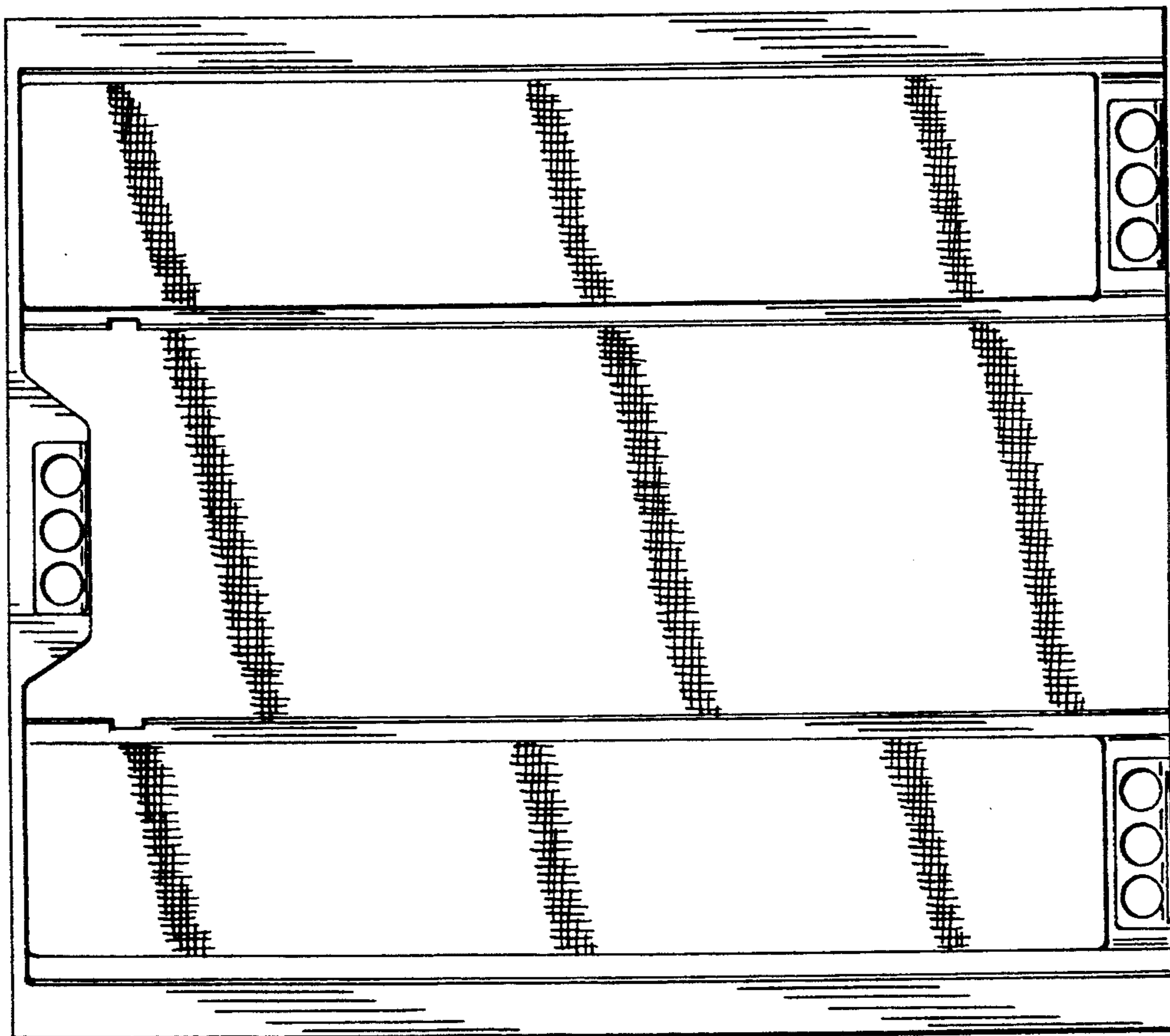


FIG. 3

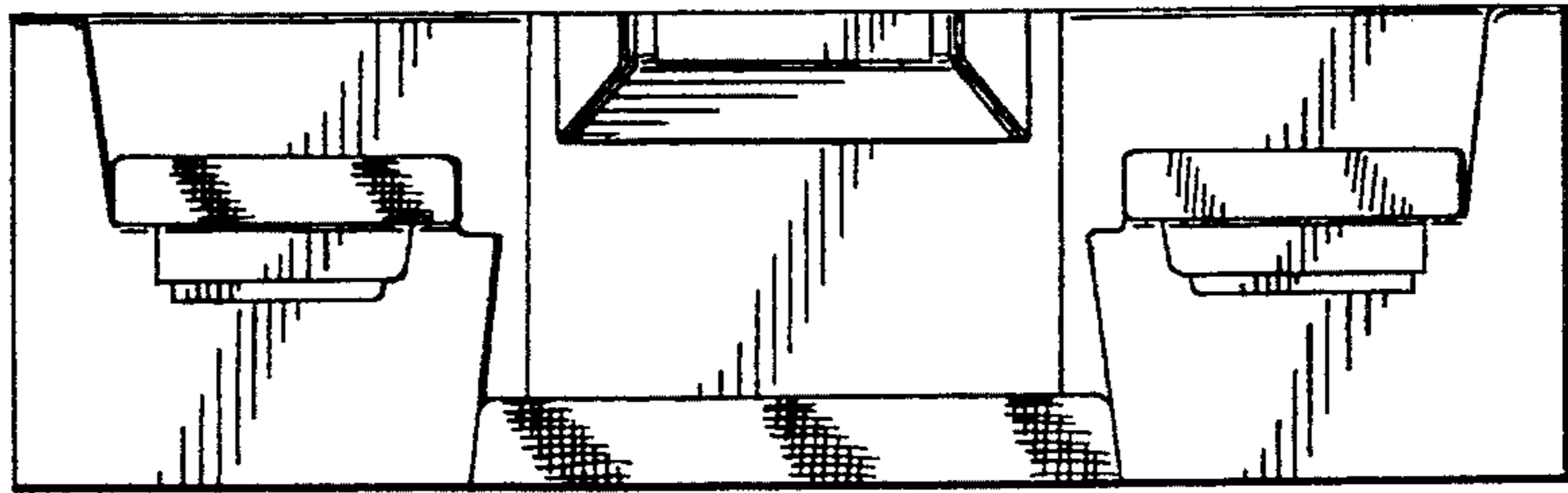


FIG. 4

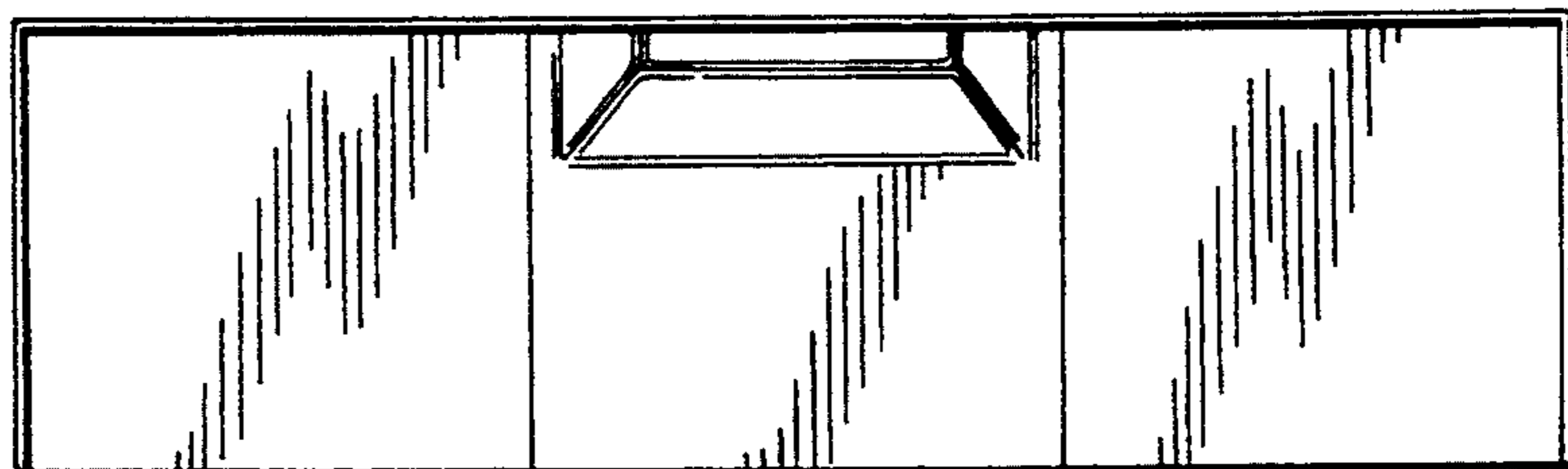


FIG. 5

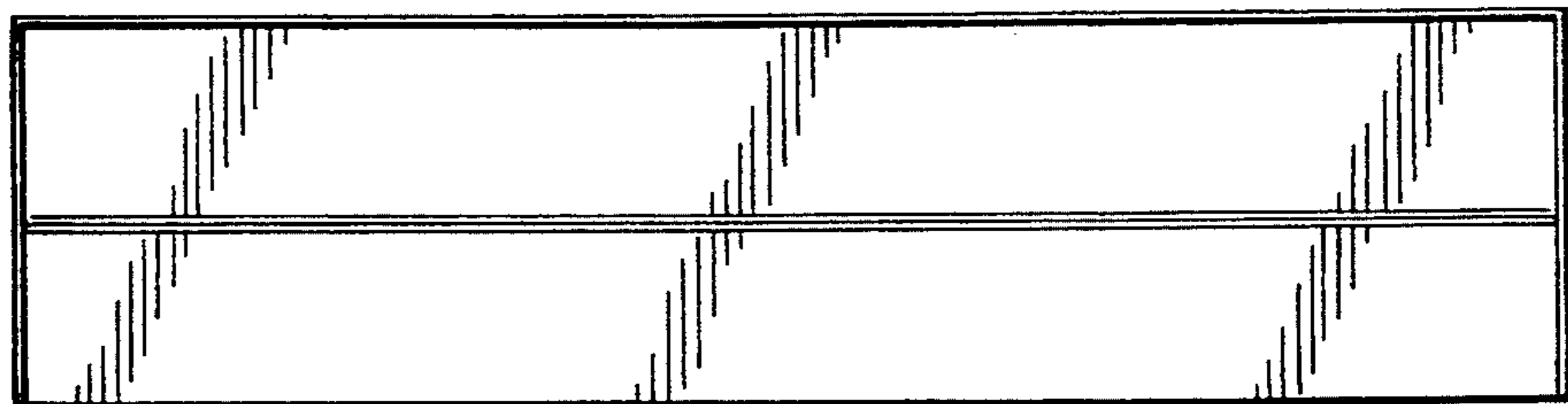


FIG. 6

