



US00D350096S

# United States Patent [19]

[11] Patent Number: **Des. 350,096**

Brightwell et al.

[45] Date of Patent: **\*\* Aug. 30, 1994**

[54] **TIRE TREAD**

D. 307,881 5/1990 Miller et al. .... D12/147  
D. 338,179 8/1993 Miller et al. .... D12/147

[75] Inventors: **Robert A. Brightwell**, Uniontown;  
**Richard L. Galante**, Akron; **Jay K. Lawrence**, Uniontown; **Terry J. Waibel**, Wadsworth, all of Ohio

*Primary Examiner*—James M. Gandy  
*Attorney, Agent, or Firm*—T. P. Lewandowski

[73] Assignee: **The Goodyear Tire & Rubber Company**, Akron, Ohio

[57] **CLAIM**

The ornamental design for a tire tread, as shown and described.

[\*\*] Term: **14 Years**

**DESCRIPTION**

[21] Appl. No.: **6,527**

[22] Filed: **Mar. 29, 1993**

[52] U.S. Cl. .... **D12/147**

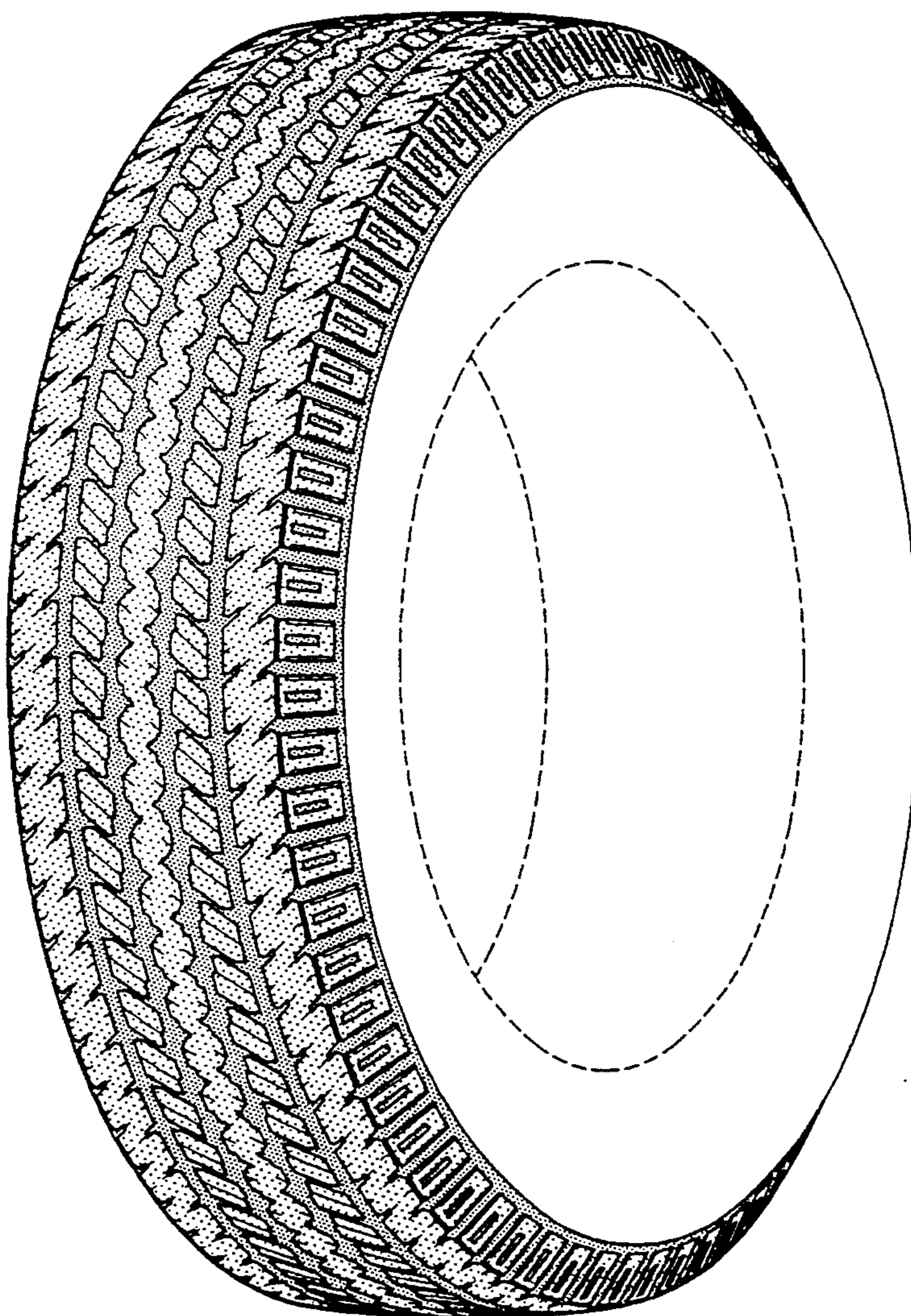
[58] Field of Search ..... 152/209 R, 209 B, 209 D;  
D12/136, 140, 141-143, 145-151

FIG. 1 is a perspective view of a tire tread showing our new design it being understood that the pattern is repeated throughout the circumference thereof; FIG. 2 is a front elevational view thereof; FIG. 3 is a side elevational view thereof; and, FIG. 4 is an enlarged fragmentary front view thereof. In the drawings, the broken line showing of the tire sidewall and the solid line defining the peripheral boundary between the tire tread and the sidewall are for illustrative purposes only and form no part of the claimed design.

[56] **References Cited**

**U.S. PATENT DOCUMENTS**

D. 301,855 6/1989 Ono ..... D12/147  
D. 307,880 5/1990 Miller et al. .... D12/147



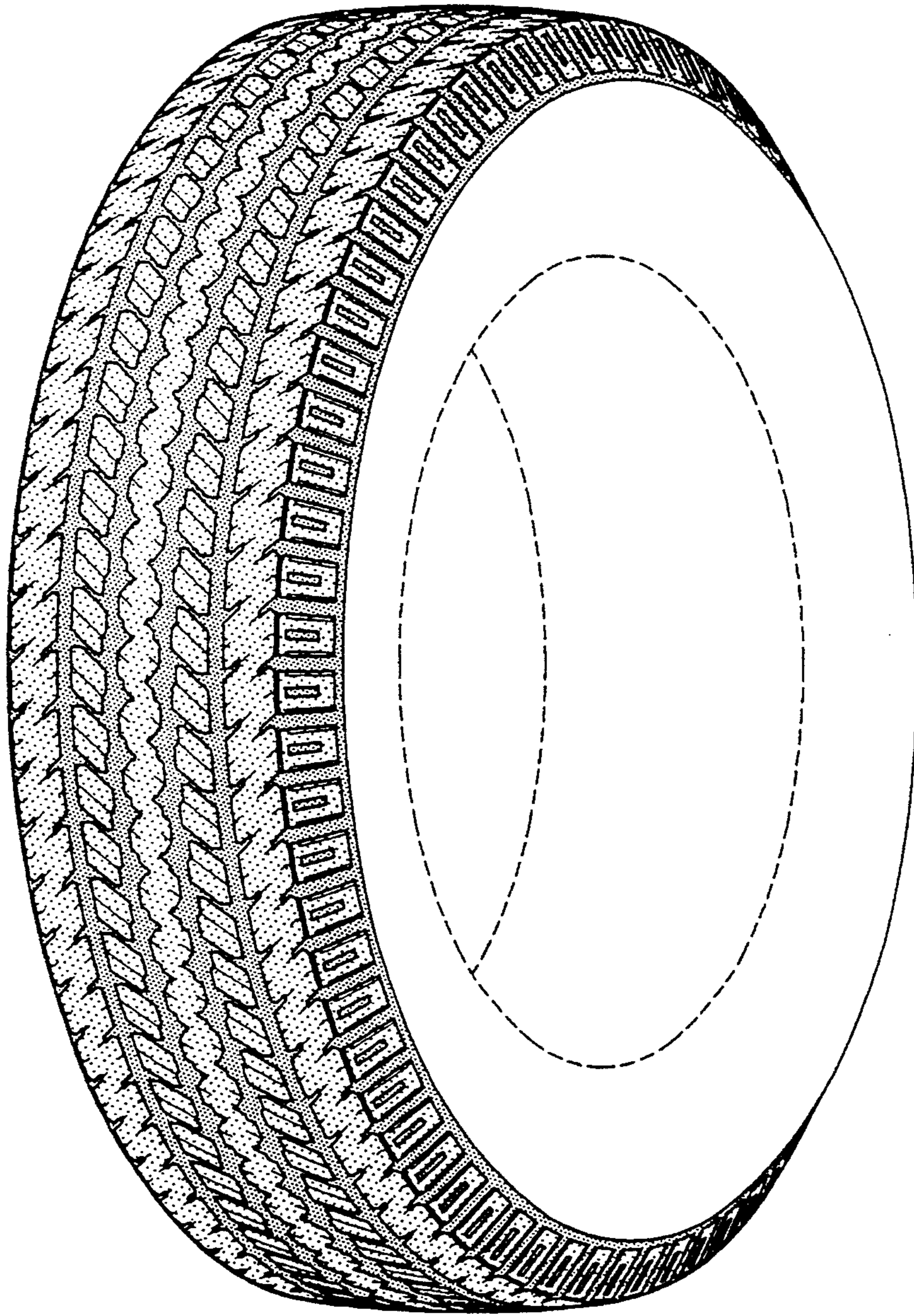


FIG-1

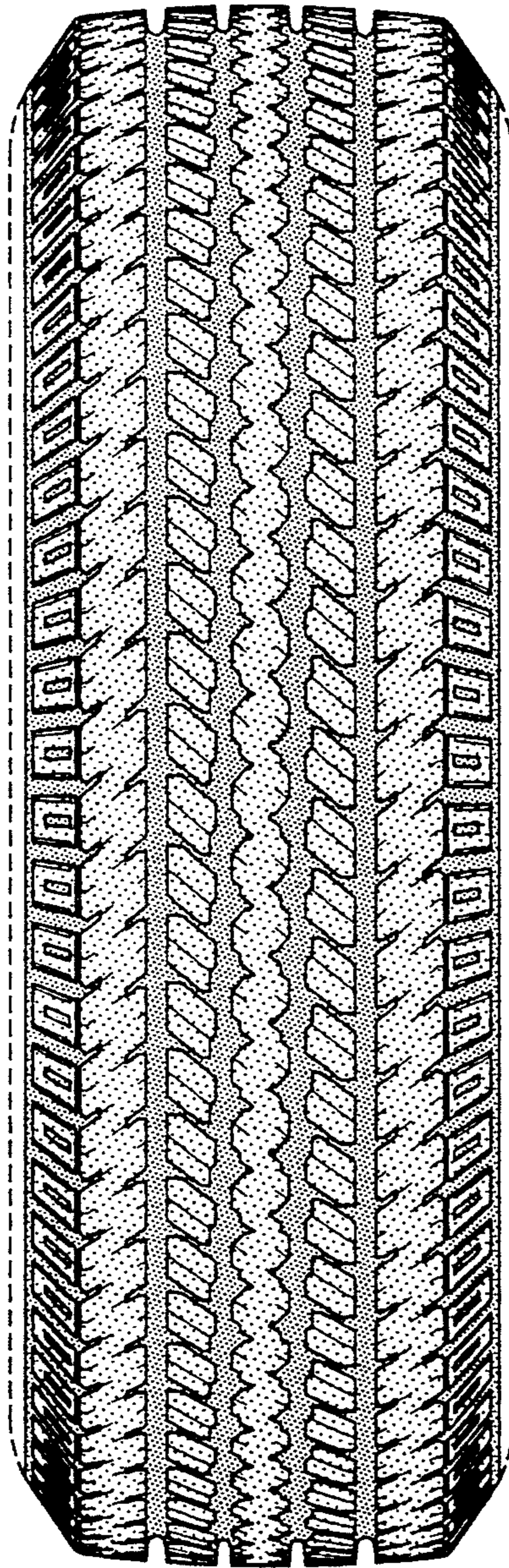


FIG-2

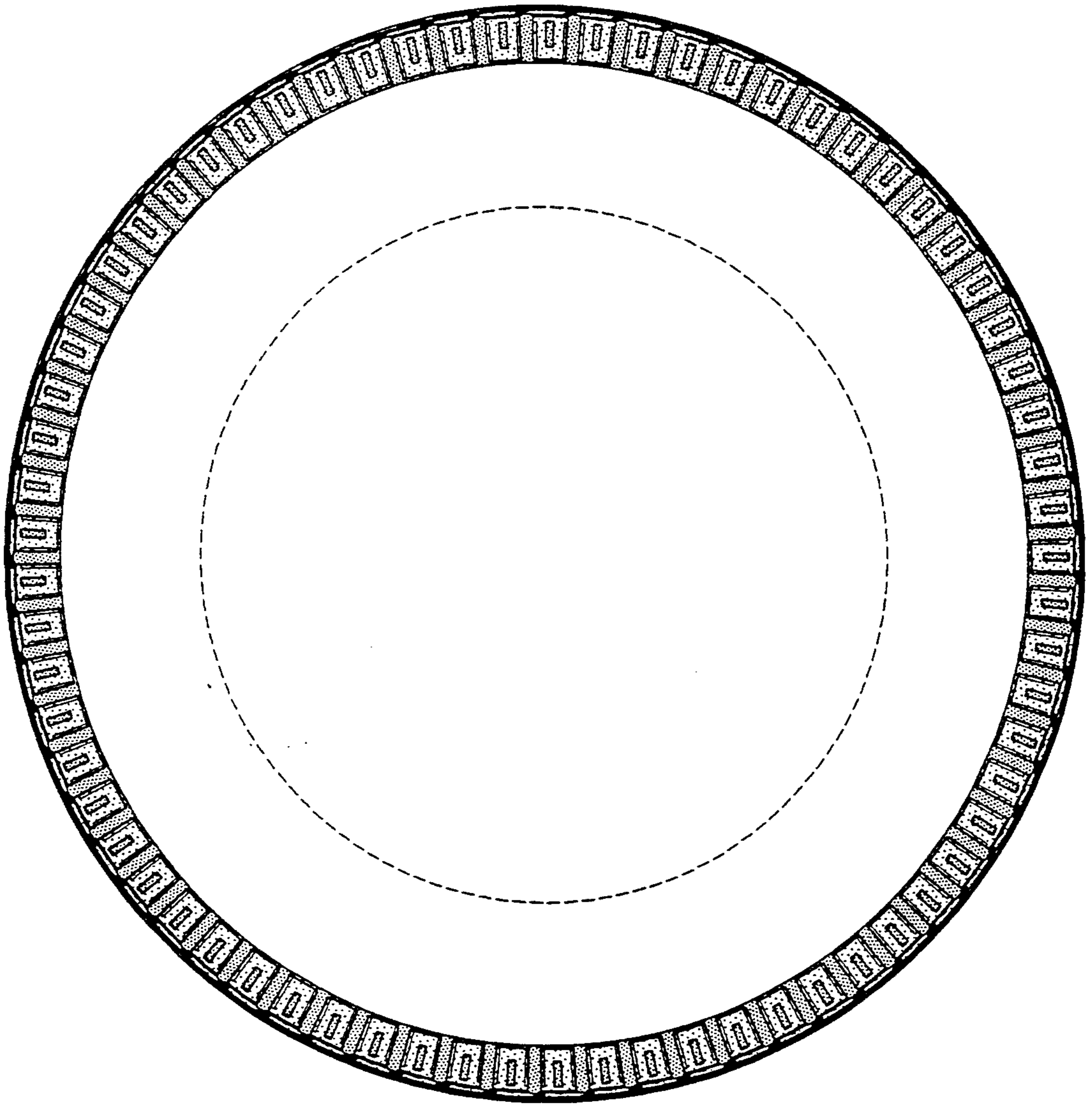


FIG-3

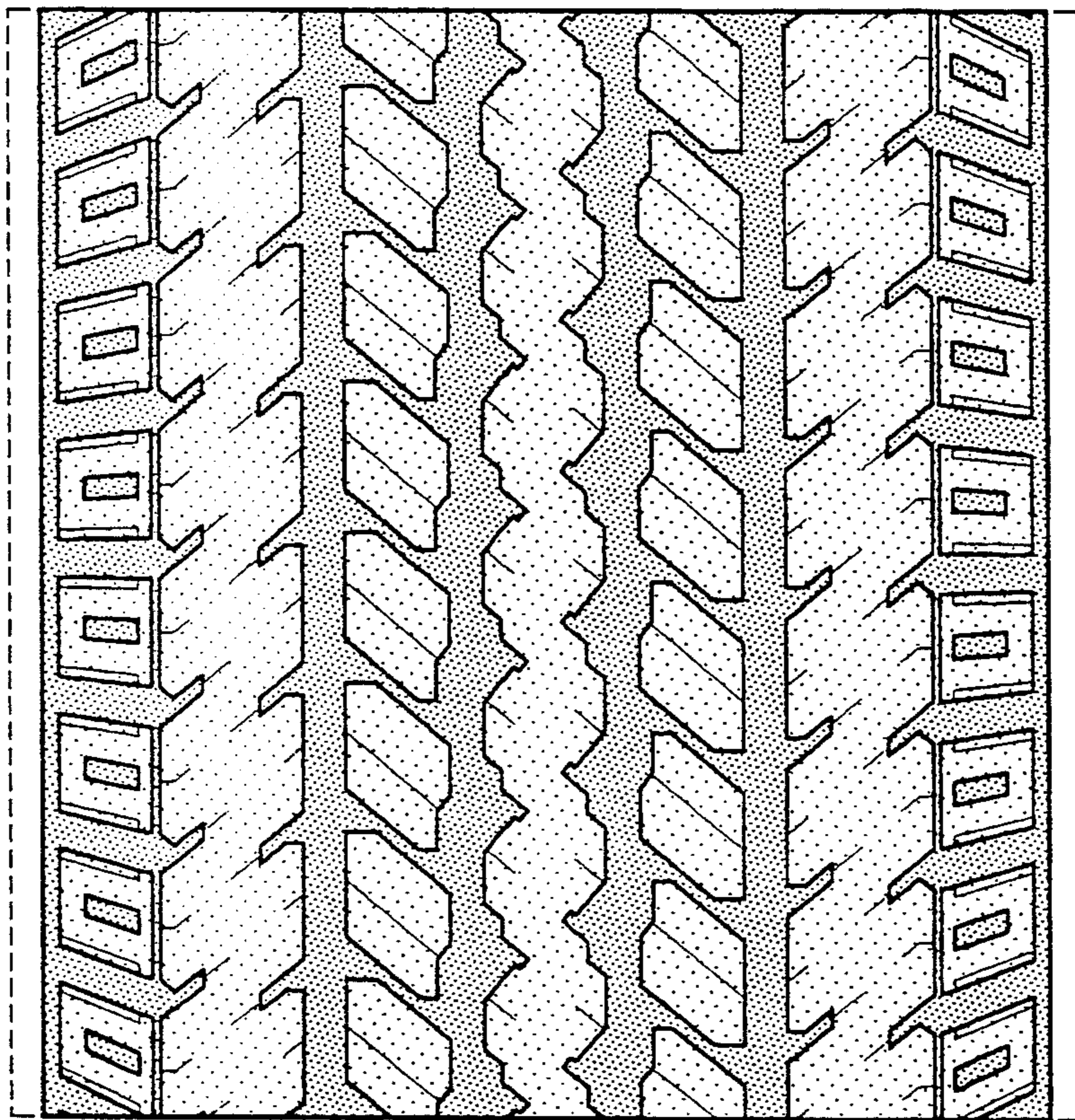


FIG-4