



US00D350089S

United States Patent [19] Greenfield

[11] Patent Number: **Des. 350,089**

[45] Date of Patent: **** Aug. 30, 1994**

[54] **PORTABLE REMOVABLE BICYCLE STAND**

[75] Inventor: **Peter Greenfield**, Freeport, N.Y.

[73] Assignee: **Greenfield Industries, Inc.**, Freeport, N.Y.

[**] Term: **14 Years**

[21] Appl. No.: **12,524**

[22] Filed: **Sep. 3, 1993**

Related U.S. Application Data

[63] Continuation-in-part of Ser. No. 73,734, Jun. 8, 1993.

[52] U.S. Cl. **D12/120**

[58] Field of Search 280/291, 293, 288.4;
180/219; D12/120

[56] **References Cited**

U.S. PATENT DOCUMENTS

D. 317,143	5/1991	Weissenberger	D12/120
495,914	4/1893	Smart	D12/120
3,955,829	5/1976	Bussler	280/301
4,457,530	7/1984	Johnson	280/293
4,580,804	4/1986	Weber	280/304
4,693,488	9/1987	Bernocio	280/303
4,883,284	11/1989	Nakazawa et al.	280/293

FOREIGN PATENT DOCUMENTS

90/0559	9/1990	W.I.P.O.....	280/301
---------	--------	--------------	---------

OTHER PUBLICATIONS

American Bicyclist & Motorcyclist, Dec. 1992, p. 11, the Greenfield stabilizer kickstand.

Primary Examiner—Wallace R. Burke

Assistant Examiner—M. Brown

Attorney, Agent, or Firm—Galgano & Burke

[57] **CLAIM**

The ornamental design for a portable removable bicycle stand, as shown and described.

DESCRIPTION

FIG. 1 is a top, front and side perspective view of a portable removable bicycle stand showing my new design, it being understood that the broken lines are for illustrative purposes only and form no part of the claimed design;

FIG. 2 is a front perspective view of the bicycle stand;

FIG. 3 is a top plan view of the bicycle stand;

FIG. 4 is a bottom plan view of the bicycle stand;

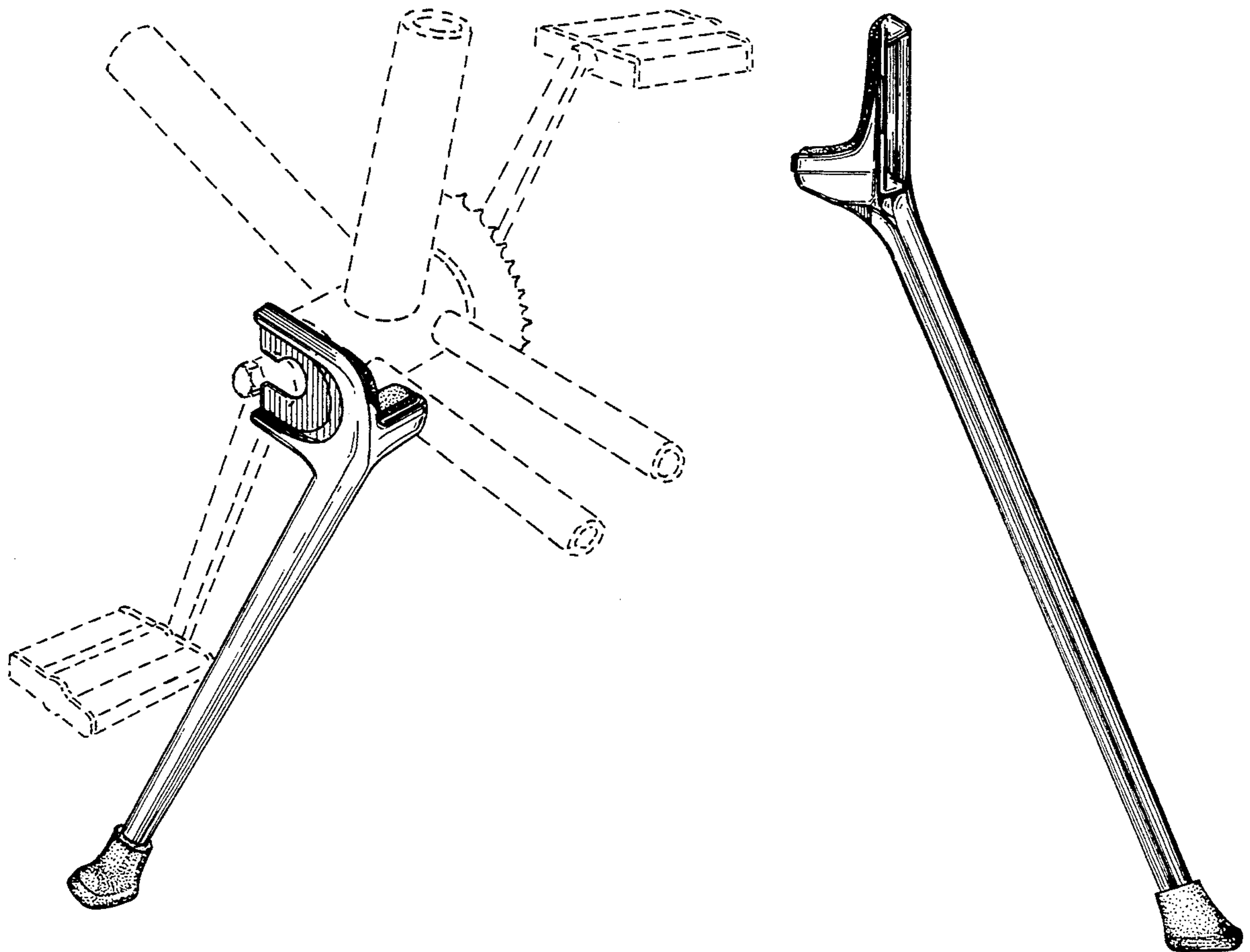
FIG. 5 is a rear elevational view of the bicycle stand;

FIG. 6 is a rear perspective view of the bicycle stand;

FIG. 7 is a side elevational view of the bicycle stand;

and,

FIG. 8 is an opposite side elevational view of the bicycle stand.



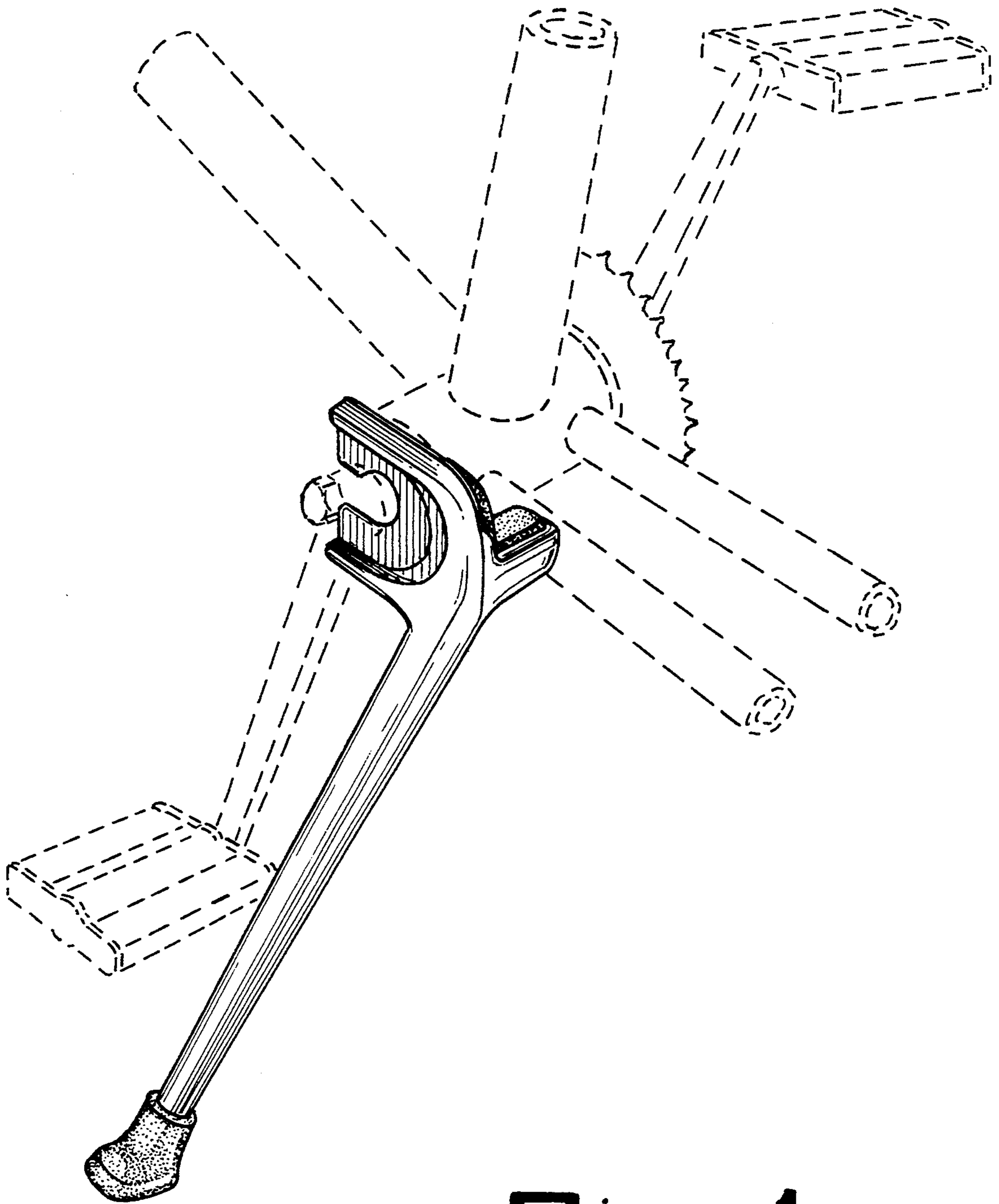


Fig. 1

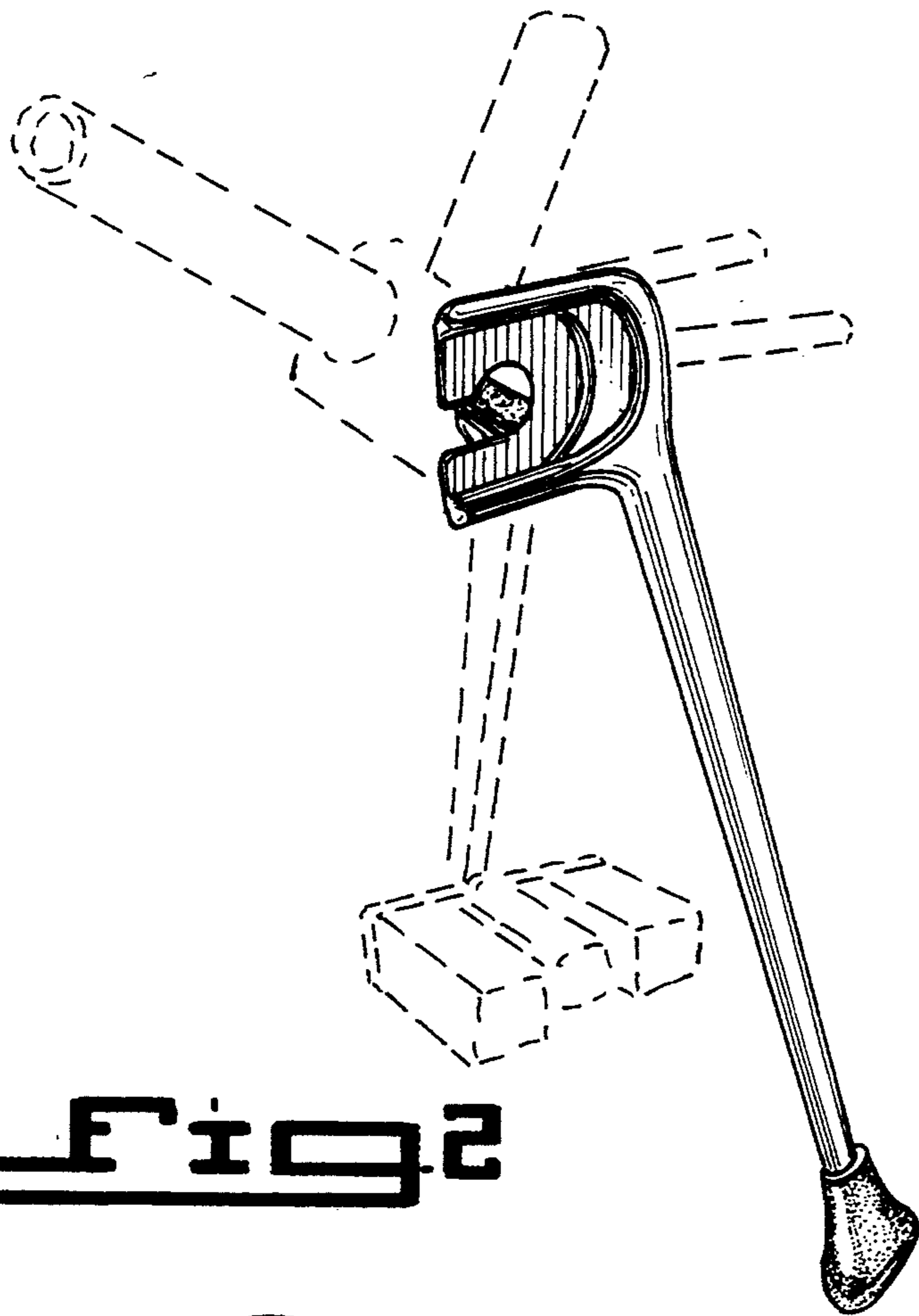


Fig. 2

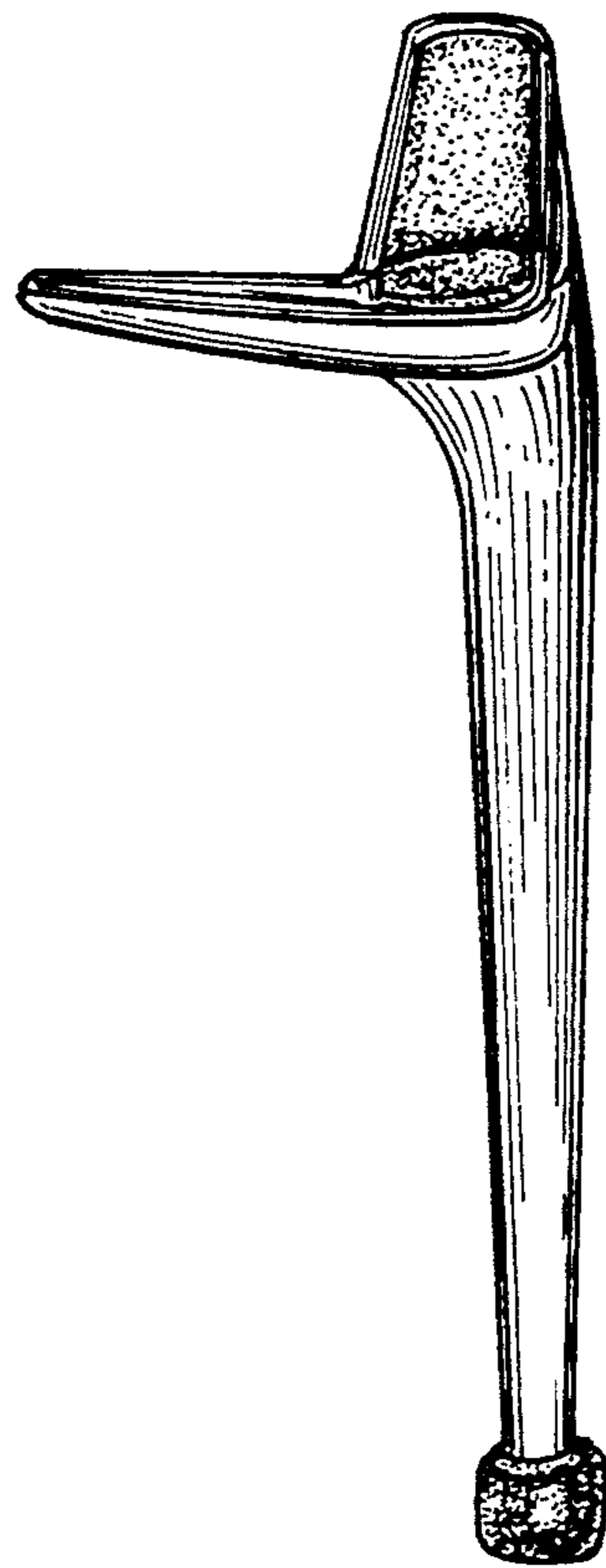


Fig. 3

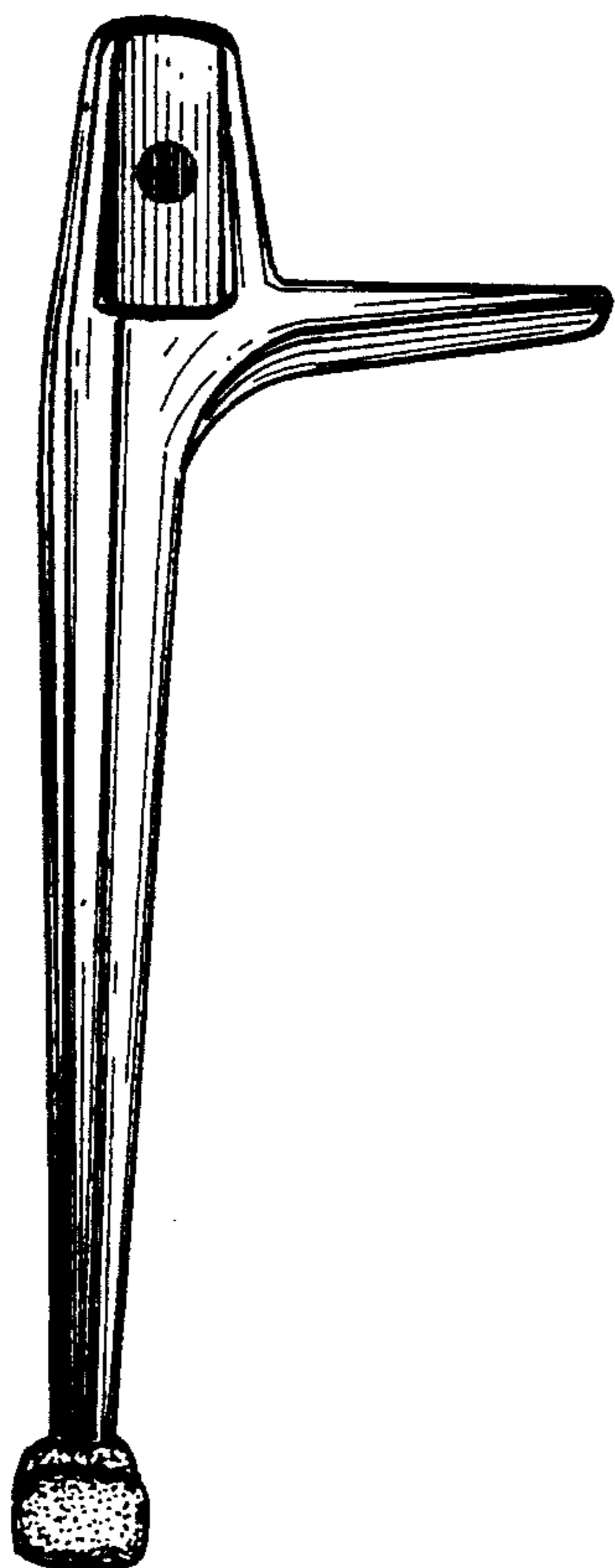


Fig. 4

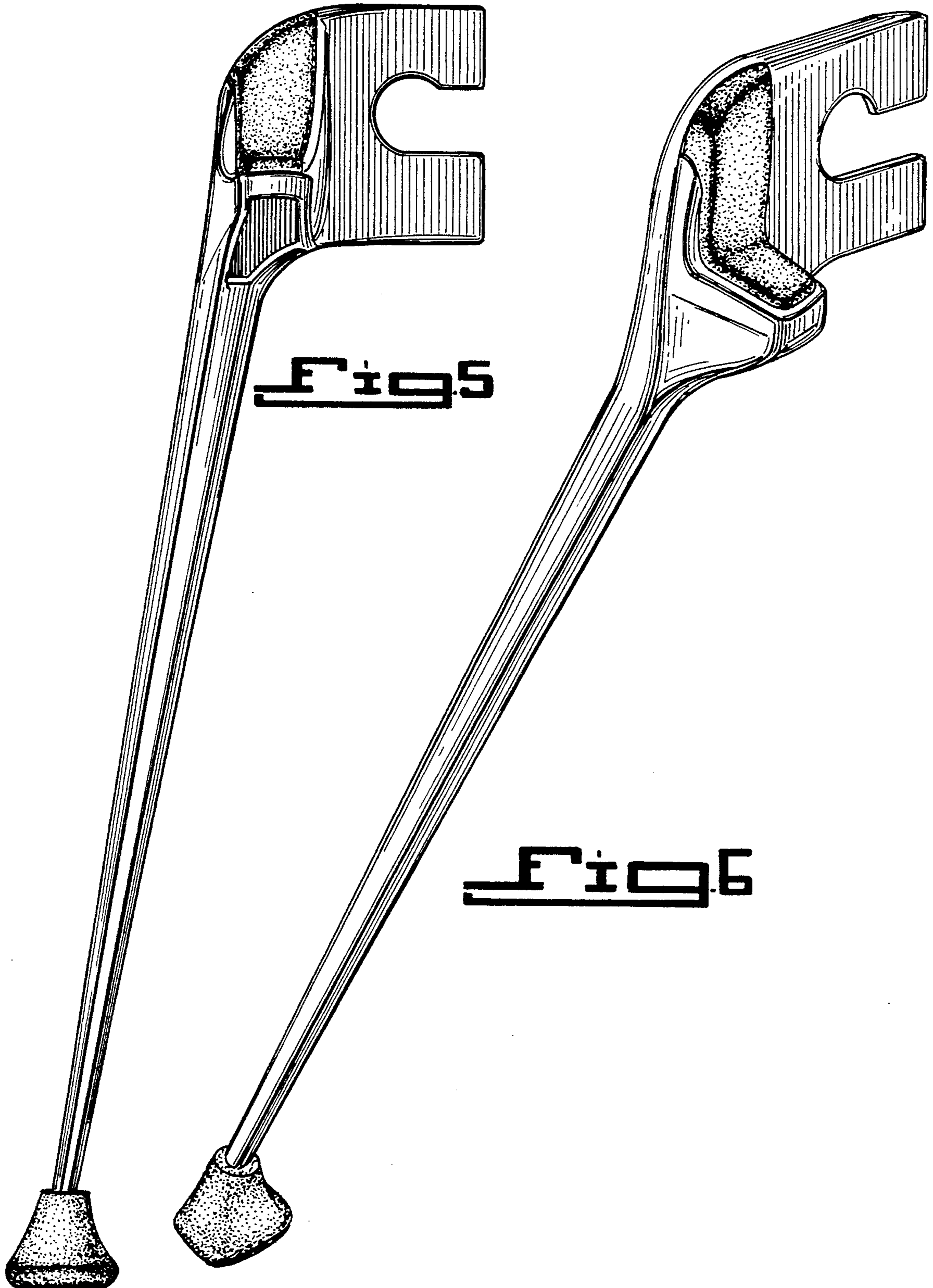


Fig. 7

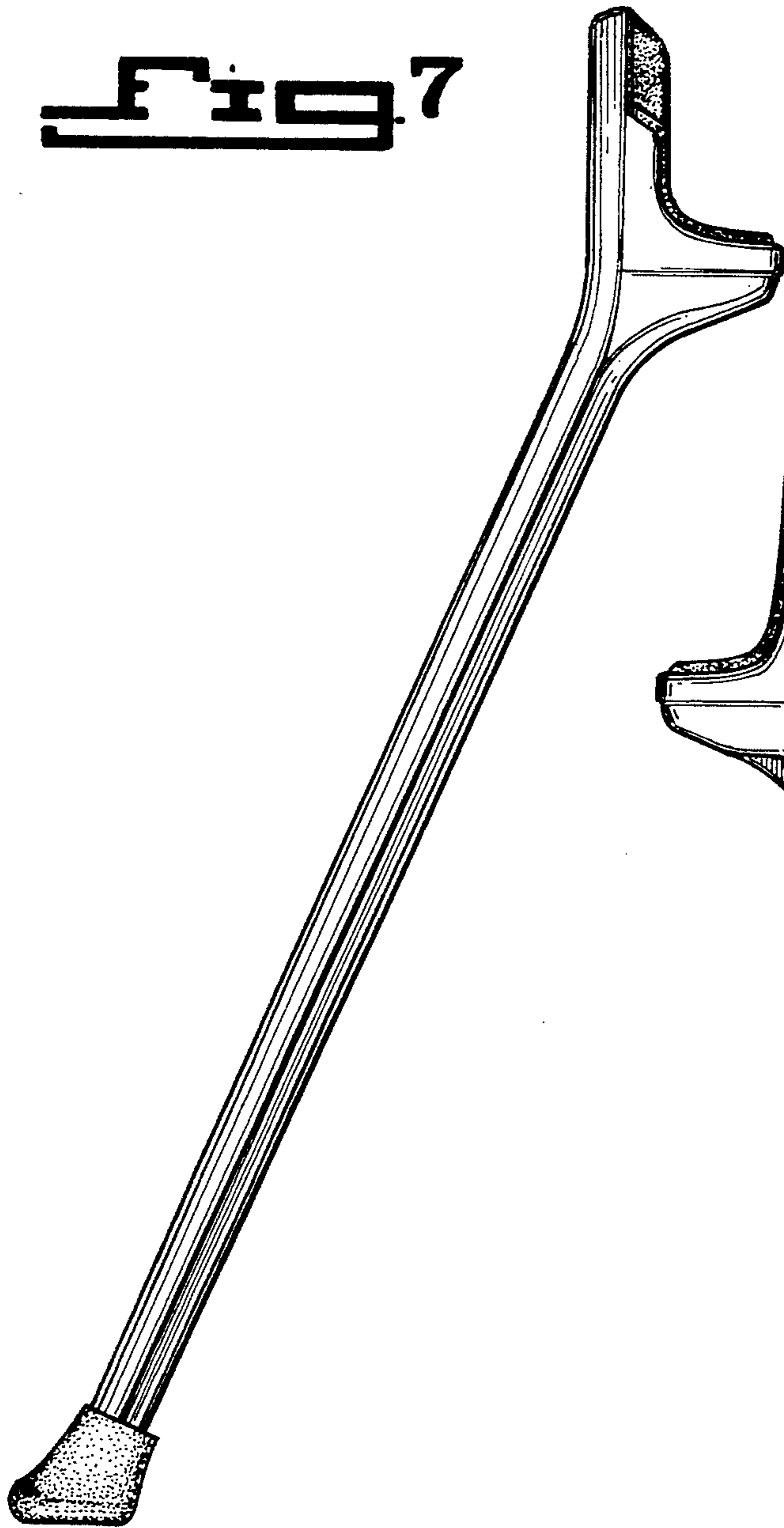


Fig. 8

