



US00D350088S

United States Patent [19]

[11] Patent Number: Des. 350,088

Inatani

[45] Date of Patent: ** Aug. 30, 1994

[54] BICYCLE HUB

[75] Inventor: Shujiro Inatani, Osaka, Japan

[73] Assignee: Rays Engineering Co., Ltd., Osaka, Japan

[**] Term: 14 Years

[21] Appl. No.: 10,108

[22] Filed: Jun. 30, 1993

[30] Foreign Application Priority Data

Jan. 13, 1993 [JP] Japan 5-764

[52] U.S. Cl. D12/115

[58] Field of Search 301/124.2; 280/279; D12/115, 210

[56] References Cited

U.S. PATENT DOCUMENTS

D. 219,967	2/1971	Fillmore	D12/210
D. 340,888	11/1993	Ringle et al.	D12/115
4,789,206	12/1988	Ozaki	301/124.2
4,805,941	2/1989	Downing et al.	280/279

OTHER PUBLICATIONS

American Bicyclist & Motorcyclist, Sep./Oct. 1989, p. 77 the one piece cold forged hubs.

Primary Examiner—Wallace R. Burke

Assistant Examiner—M. Brown

Attorney, Agent, or Firm—Steven M. Rabin

[57] CLAIM

The ornamental design for a bicycle hub, as shown and described.

DESCRIPTION

FIG. 1 is a perspective view of a bicycle hub according to my design, as seen from the front, left side and top; FIG. 2 is a front elevation view of the design; FIG. 3 is a rear elevation view of the design; FIG. 4 is a top plan view of the design; FIG. 5 is a left side elevation view of the design; and, FIG. 6 is a right side elevation view of the design. A bottom plan view of the design is identical with the top plan view of the design.

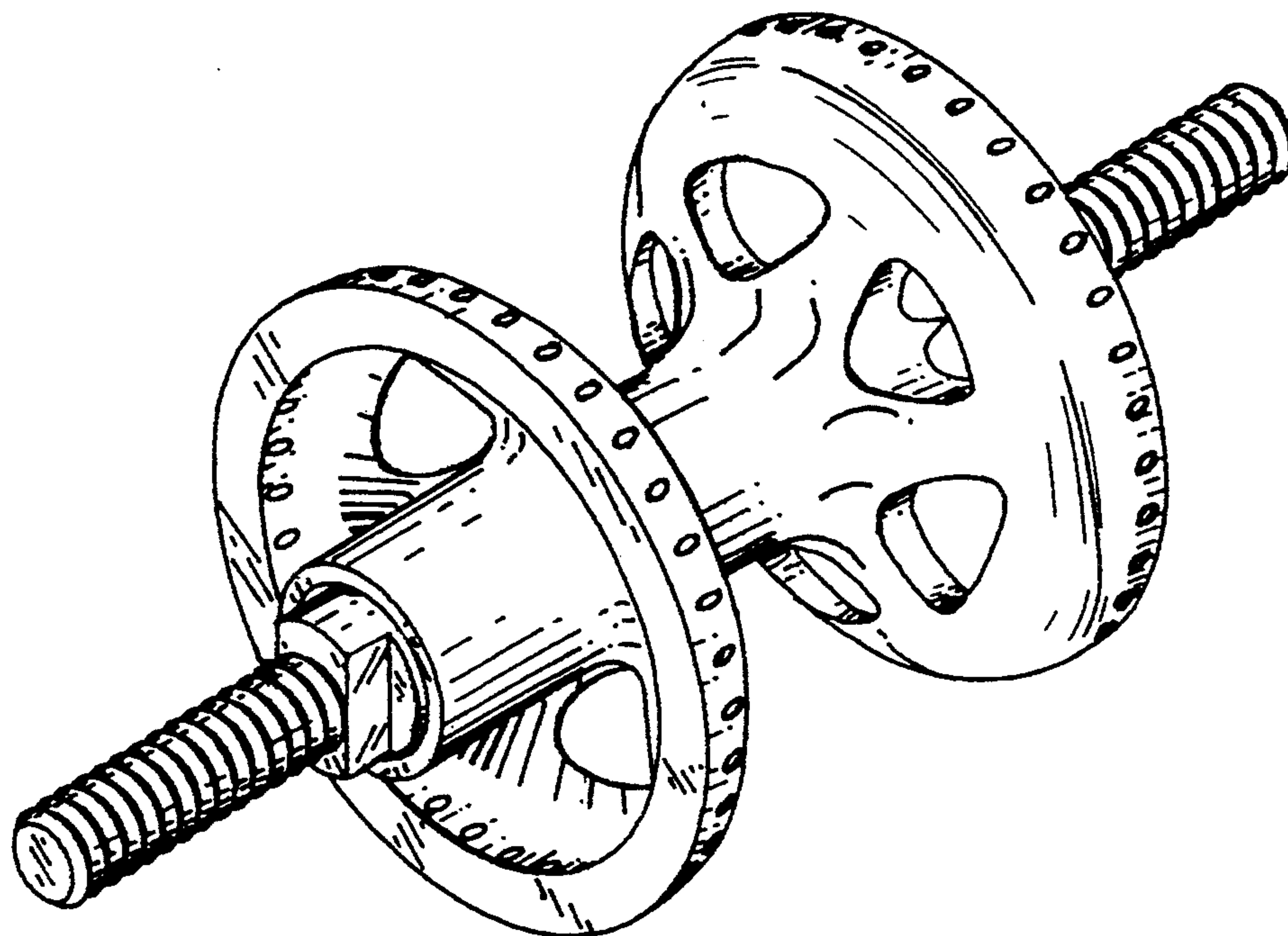


FIG. 1

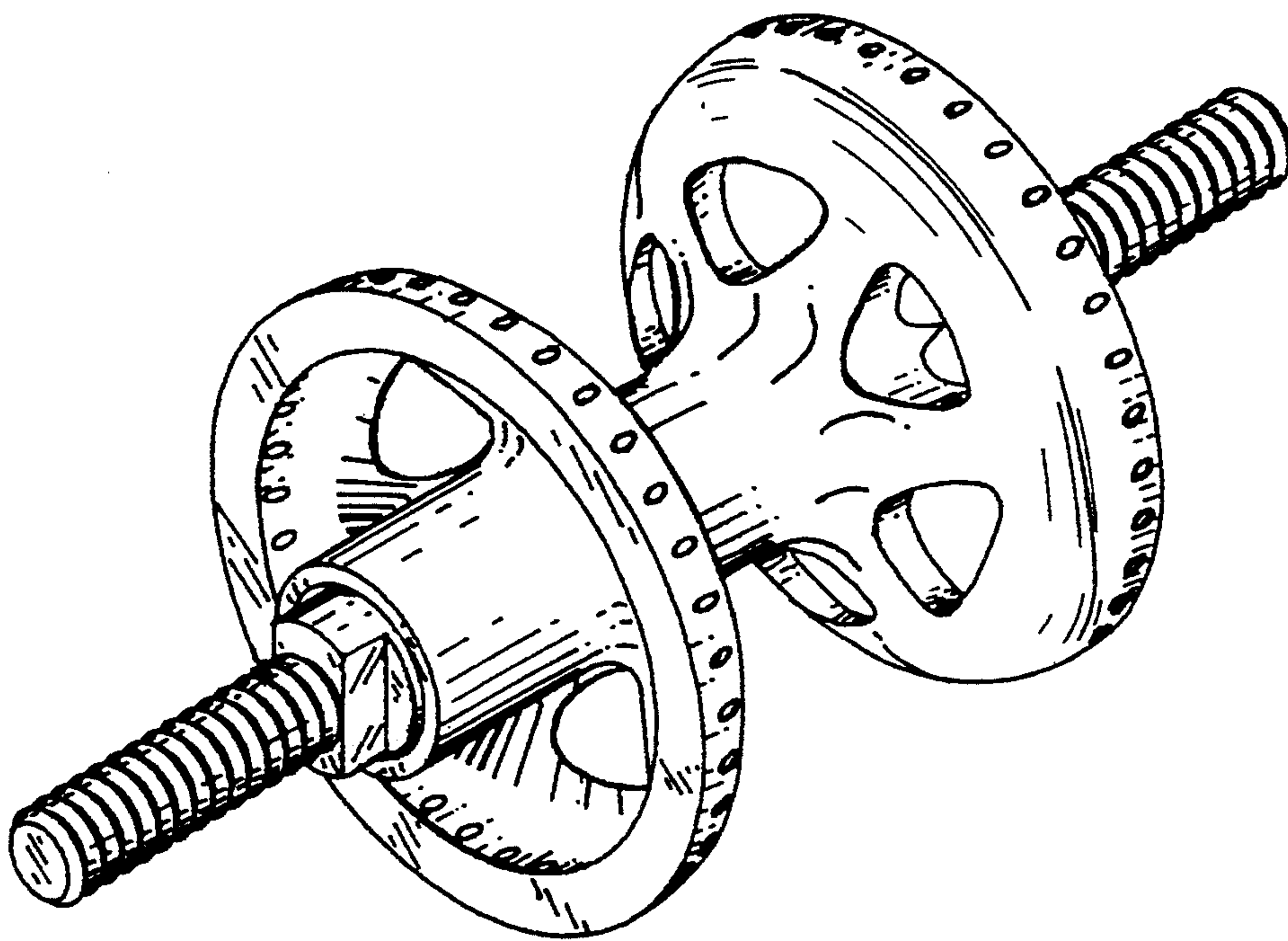


FIG. 2

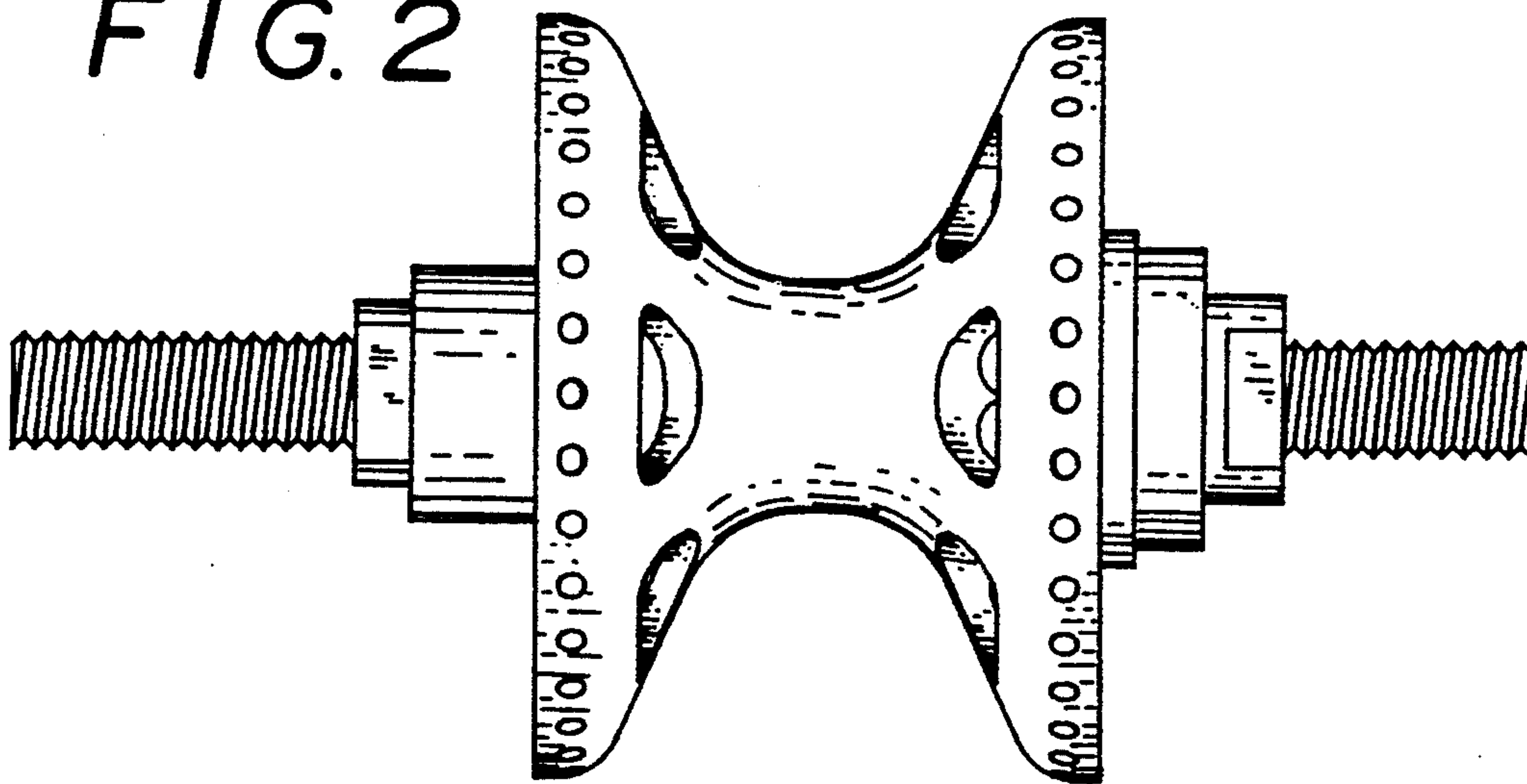


FIG. 3

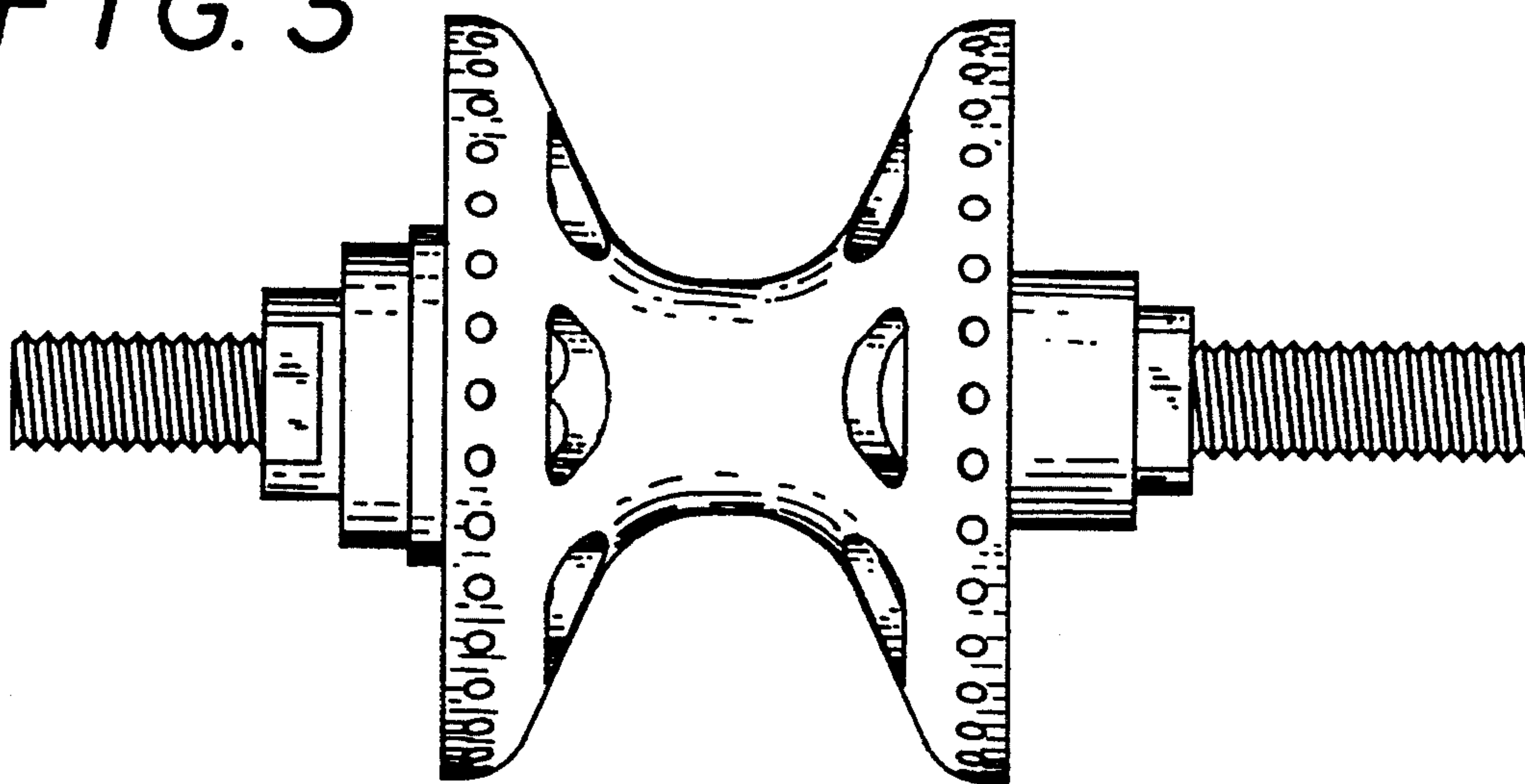


FIG. 4

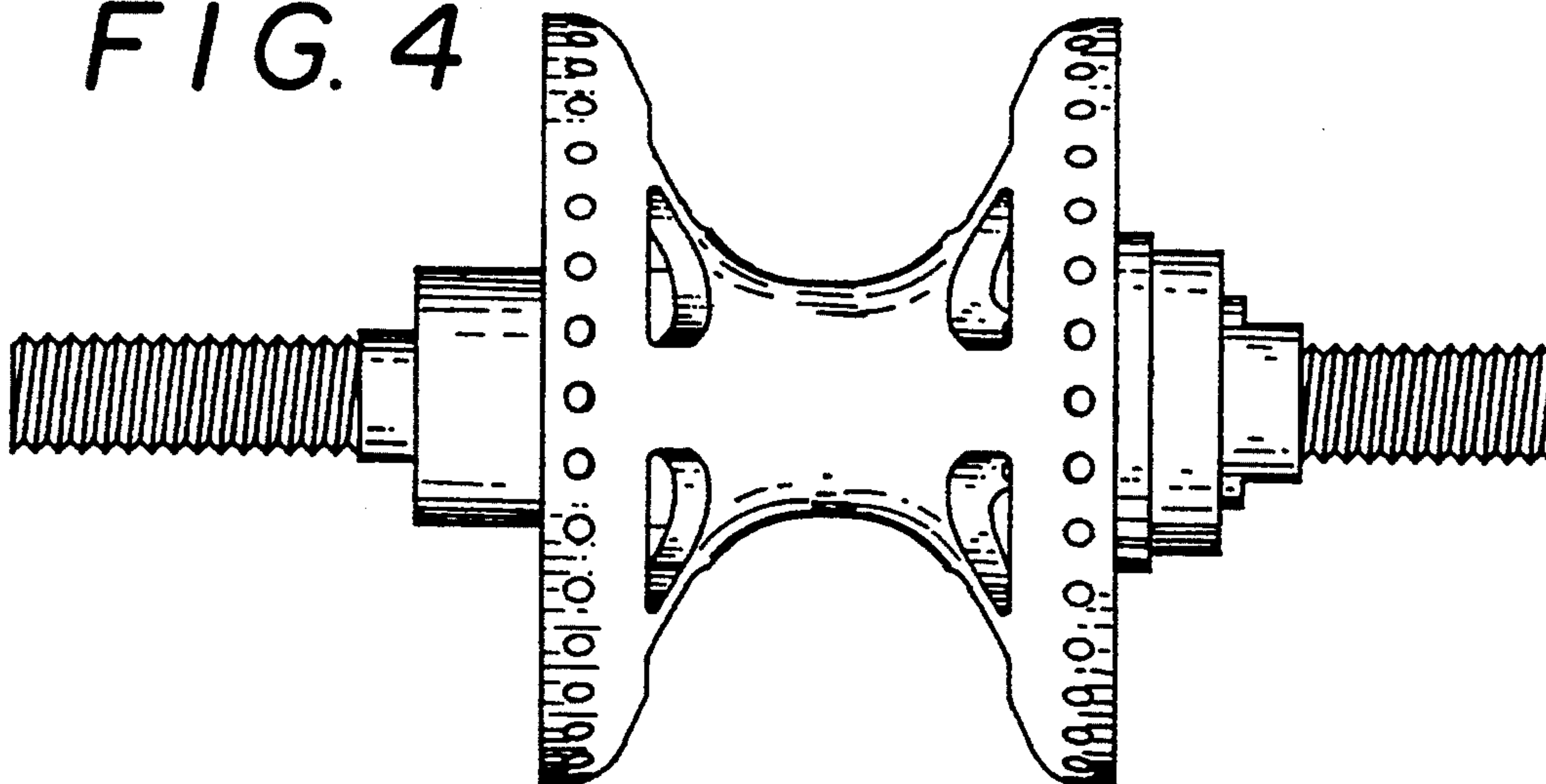


FIG. 5

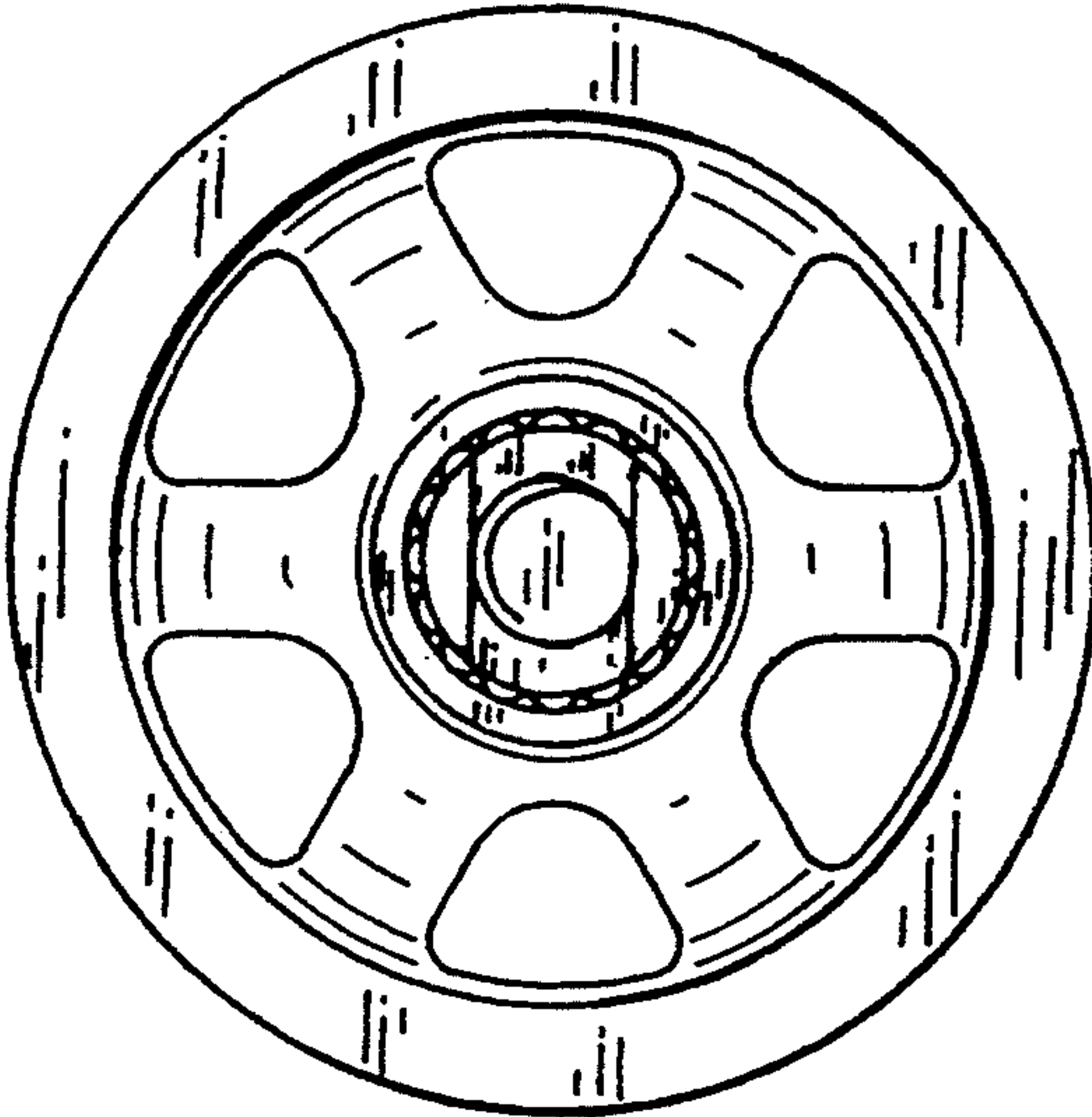


FIG. 6

