



US00D350087S

# United States Patent [19]

[11] Patent Number: **Des. 350,087**

**Sanborn**

[45] Date of Patent: **\*\* Aug. 30, 1994**

[54] **BICYCLE**

[76] Inventor: **Jim V. Sanborn**, 1223 SE. 13th Ter.,  
Fort Lauderdale, Fla. 33316

[\*\*] Term: **14 Years**

[21] Appl. No.: **10,453**

[22] Filed: **Jul. 7, 1993**

[52] U.S. Cl. .... **D12/111**

[58] Field of Search ..... 280/281.1, 288.1, 288.2;  
180/219; D12/111, 110

D. 320,961 1/1991 Hikida ..... D12/110  
D. 343,810 2/1994 Sanborn ..... D12/111

*Primary Examiner*—Wallace R. Burke  
*Assistant Examiner*—M. Brown  
*Attorney, Agent, or Firm*—Malloy & Malloy

### [57] CLAIM

The ornamental design for a bicycle, as shown.

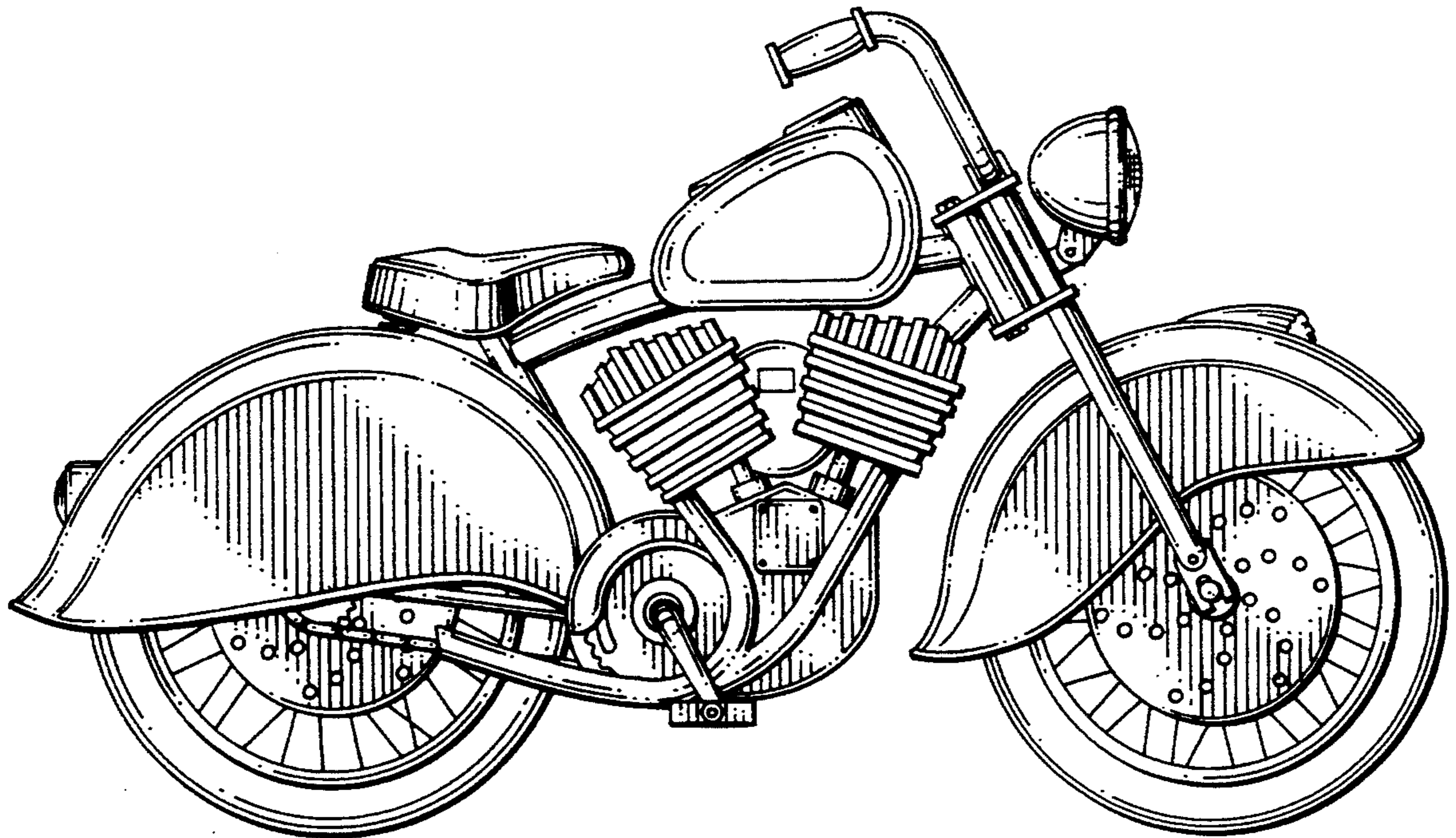
### DESCRIPTION

FIG. 1 is a right side elevational view of a bicycle showing my new design;  
FIG. 2 is a front elevational view thereof;  
FIG. 3 is a rear elevational view thereof;  
FIG. 4 is a left side elevational view thereof;  
FIG. 5 is a top plan view thereof; and,  
FIG. 6 is a bottom plan view thereof.

### [56] References Cited

#### U.S. PATENT DOCUMENTS

D. 170,610 10/1953 Sebel ..... D12/108  
D. 294,338 2/1988 Yamada et al. .... D12/110  
D. 302,801 8/1989 Lacroix ..... D12/110



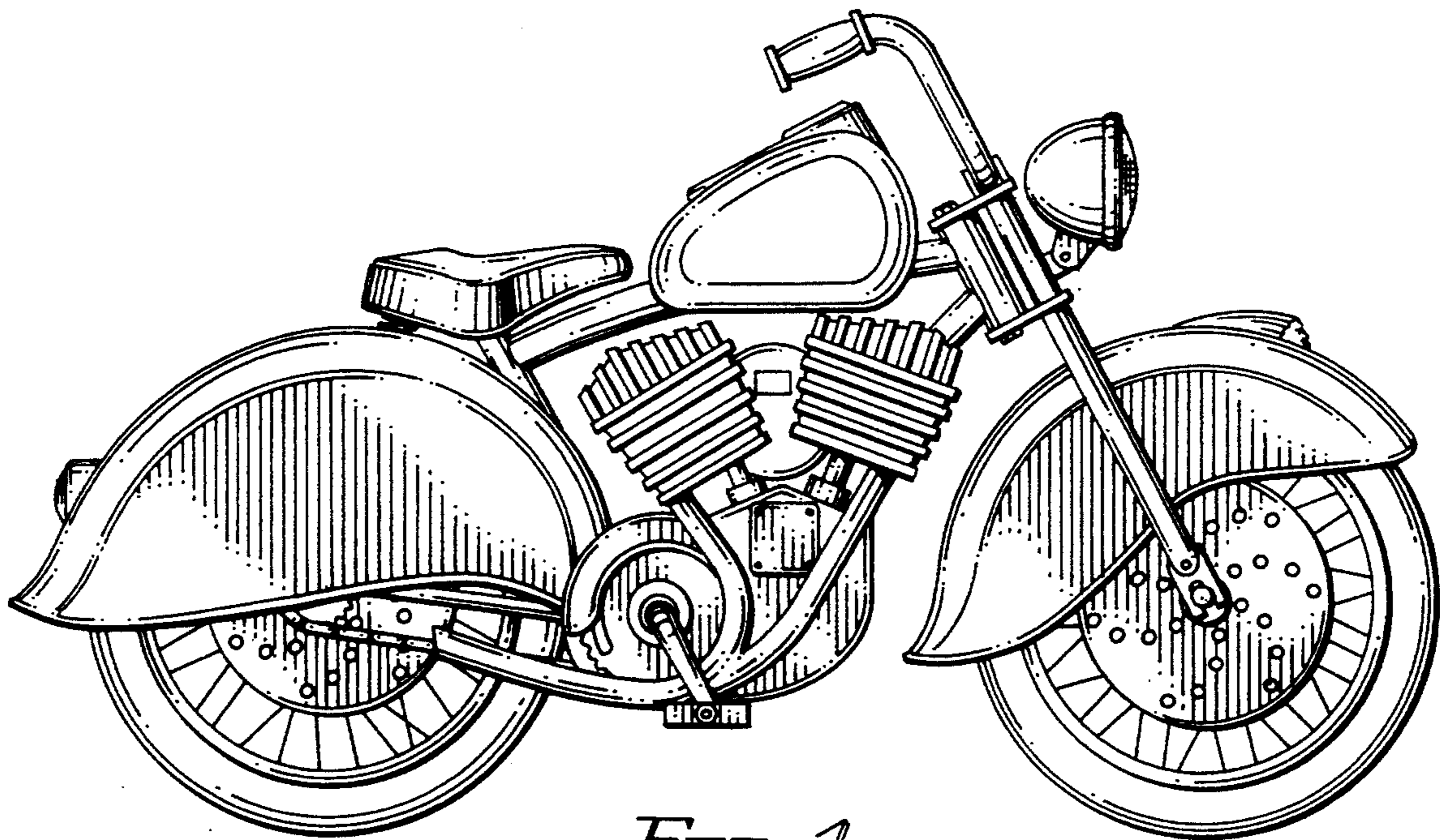


FIG. 1

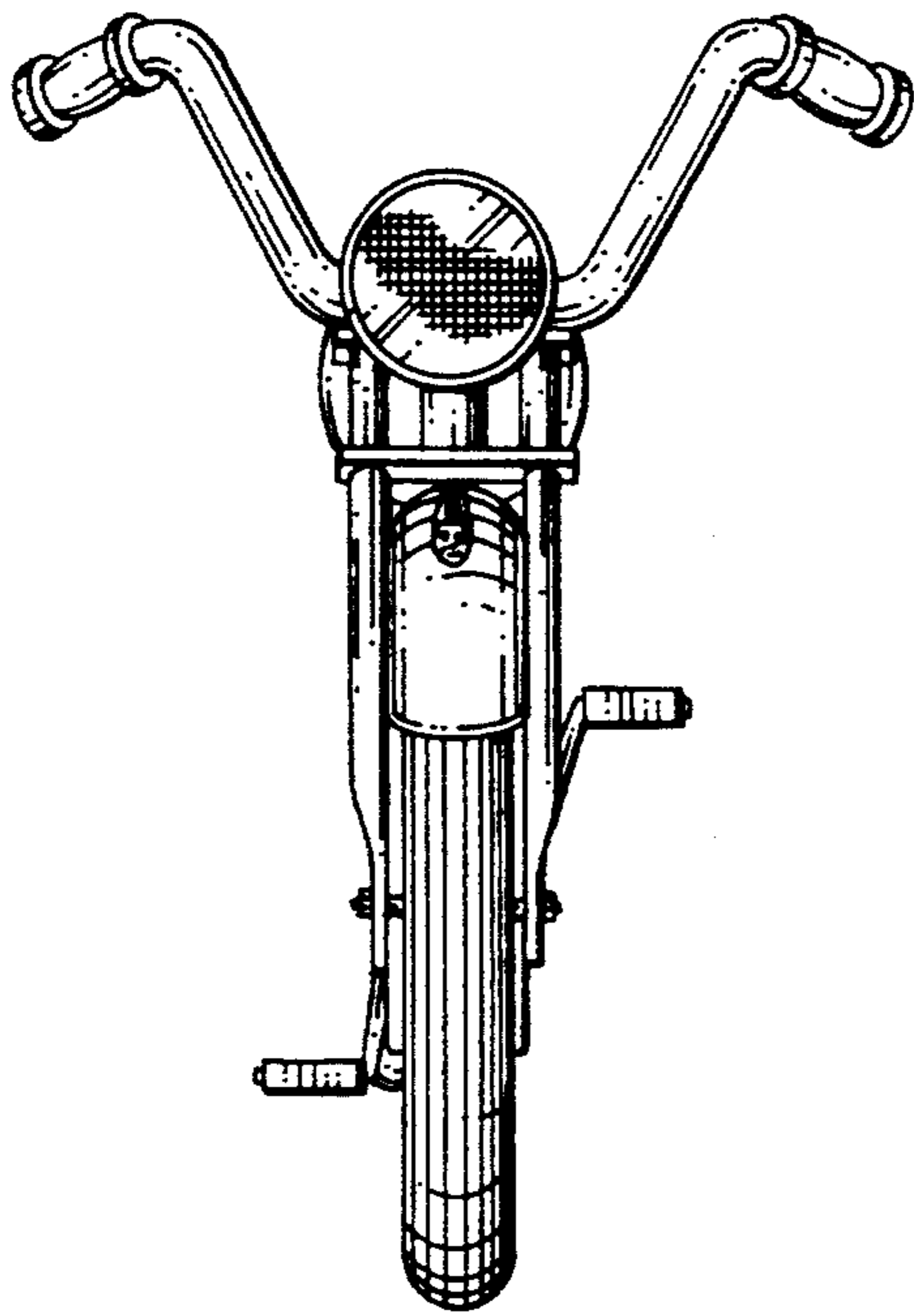


FIG. 2

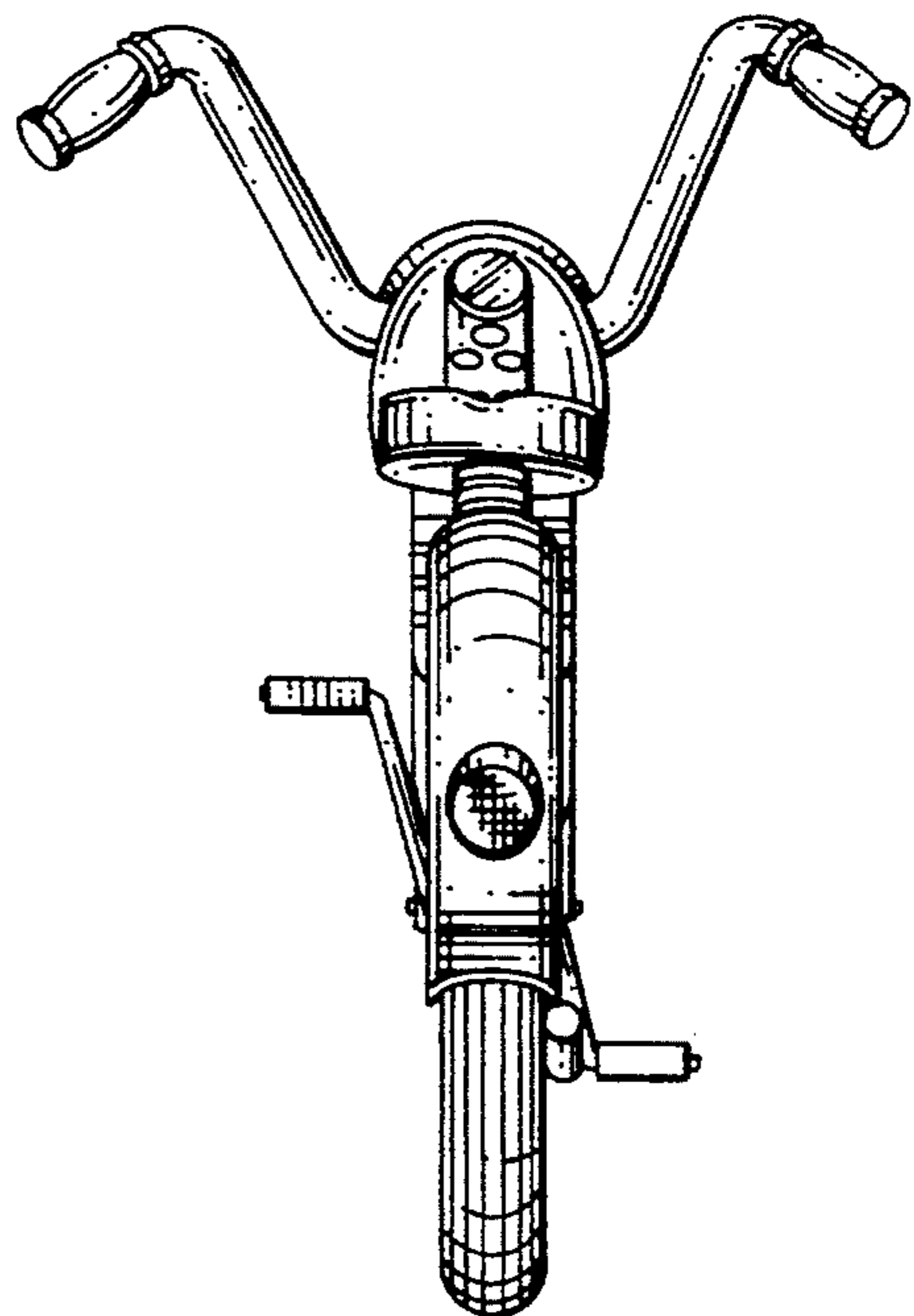


FIG. 3

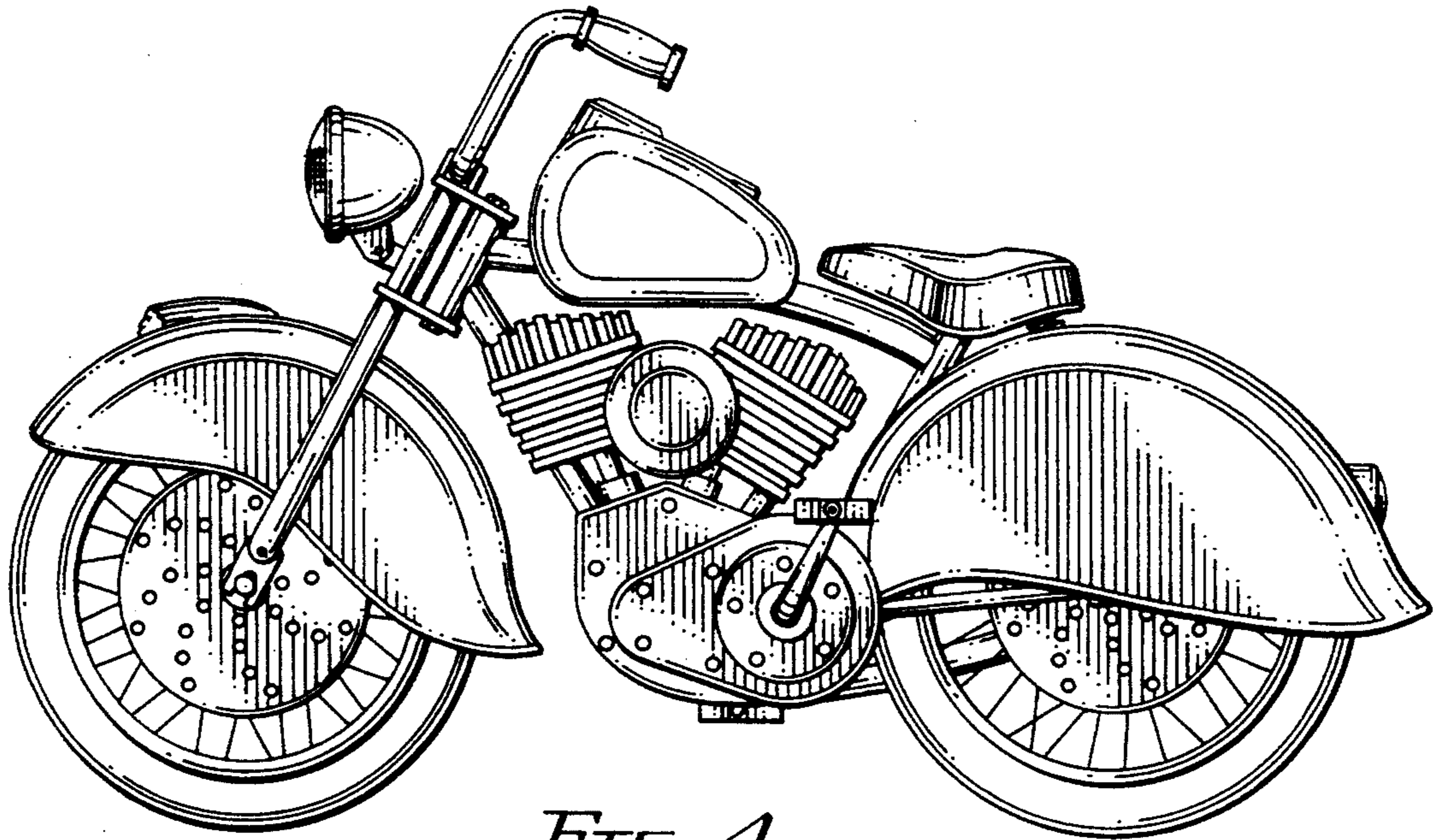


FIG. 4

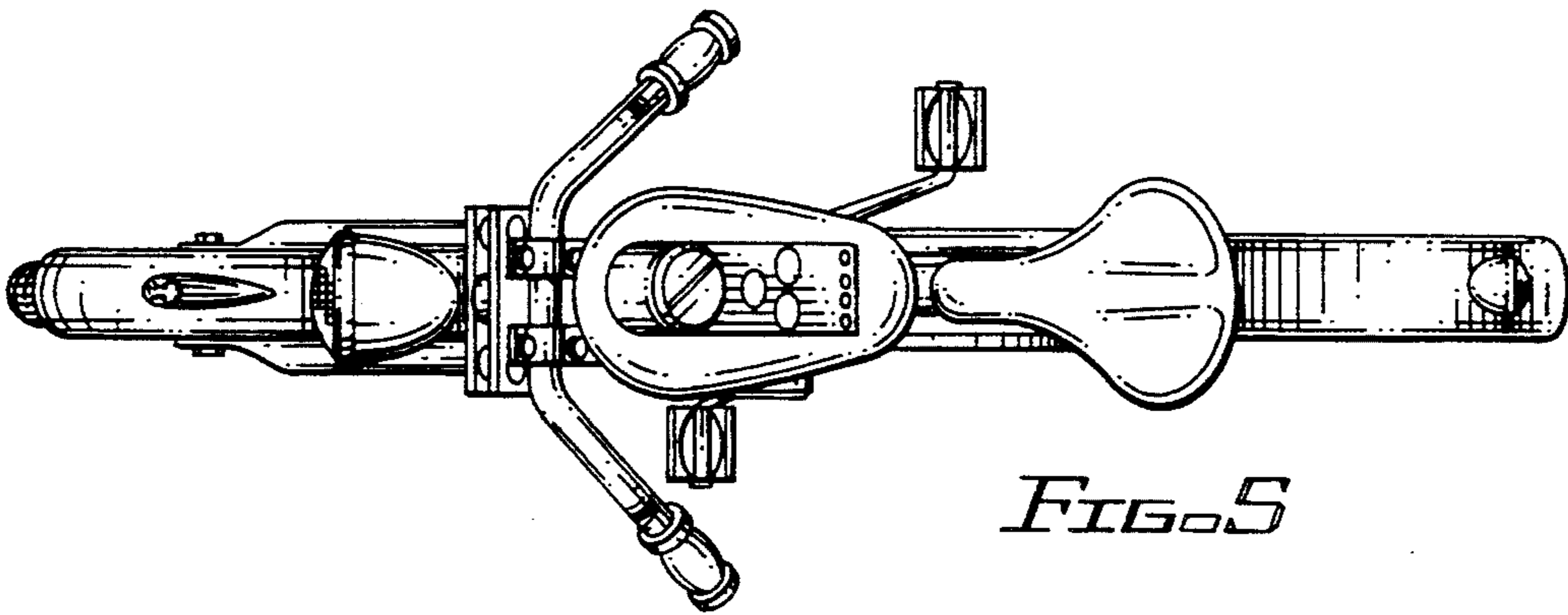


FIG. 5

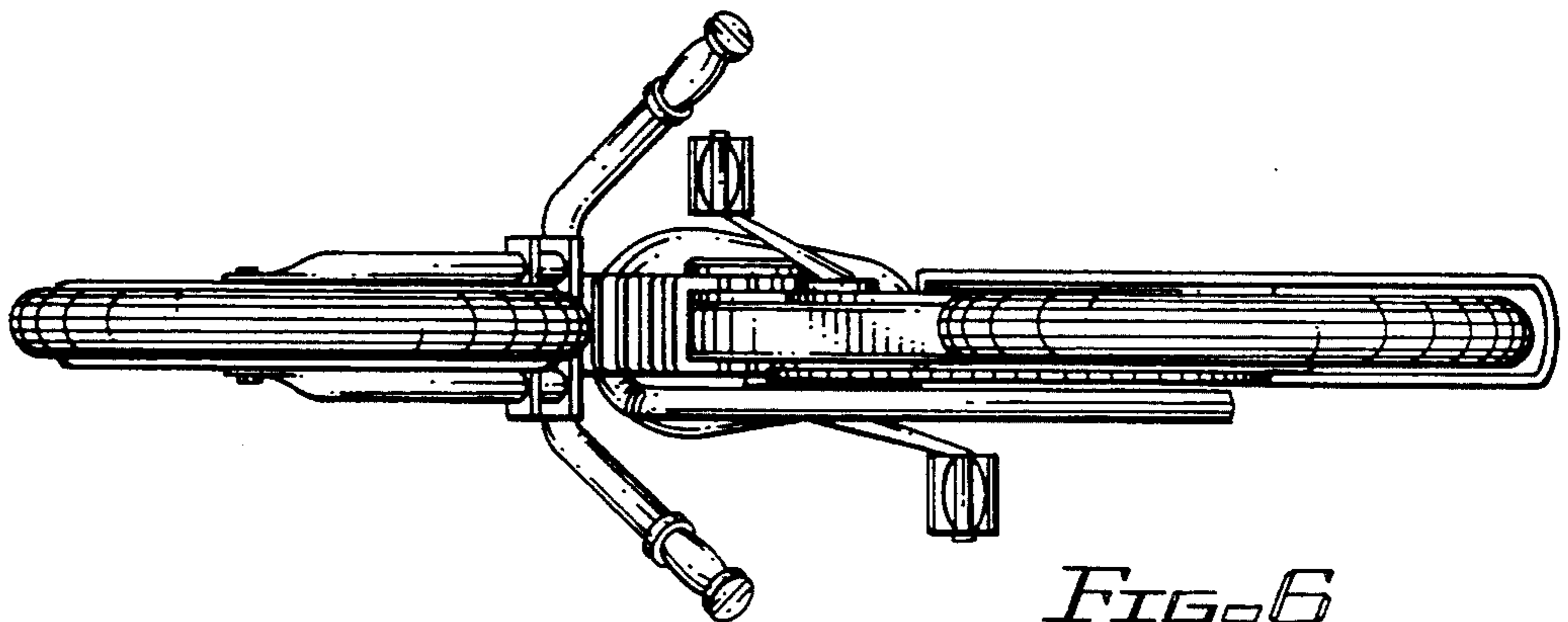


FIG. 6