



US00D350081S

United States Patent [19]
May

[11] **Patent Number: Des. 350,081**

[45] **Date of Patent: ** Aug. 30, 1994**

[54] **POST-SUPPORTED FLOWER POT HOLDER**

[76] Inventor: **Carey M. May**, 6112 University Dr.,
Huntsville, Ala. 35806

[**] Term: **14 Years**

[21] Appl. No.: **978**

[22] Filed: **Oct. 30, 1992**

[52] U.S. Cl. **D11/148; D6/403**

[58] Field of Search **D6/403, 462, 556;**
47/44; D11/164, 148

D. 231,296 4/1974 Morris D6/556
2,506,321 5/1950 Vosburgh D11/148

Primary Examiner—Alan P. Douglas

Assistant Examiner—S. Snapp

Attorney, Agent, or Firm—Phillips & Beumer

[57] **CLAIM**

The ornamental design for a post-supported flower pot holder, as shown and described.

DESCRIPTION

FIG. 1 is a pictorial view of a post-supported flower pot holder constructed in accordance with my new design; FIG. 2 is a planar side view thereof, with a view taken from an opposite side and being a mirror image thereof; FIG. 3 is a planar top view thereof;

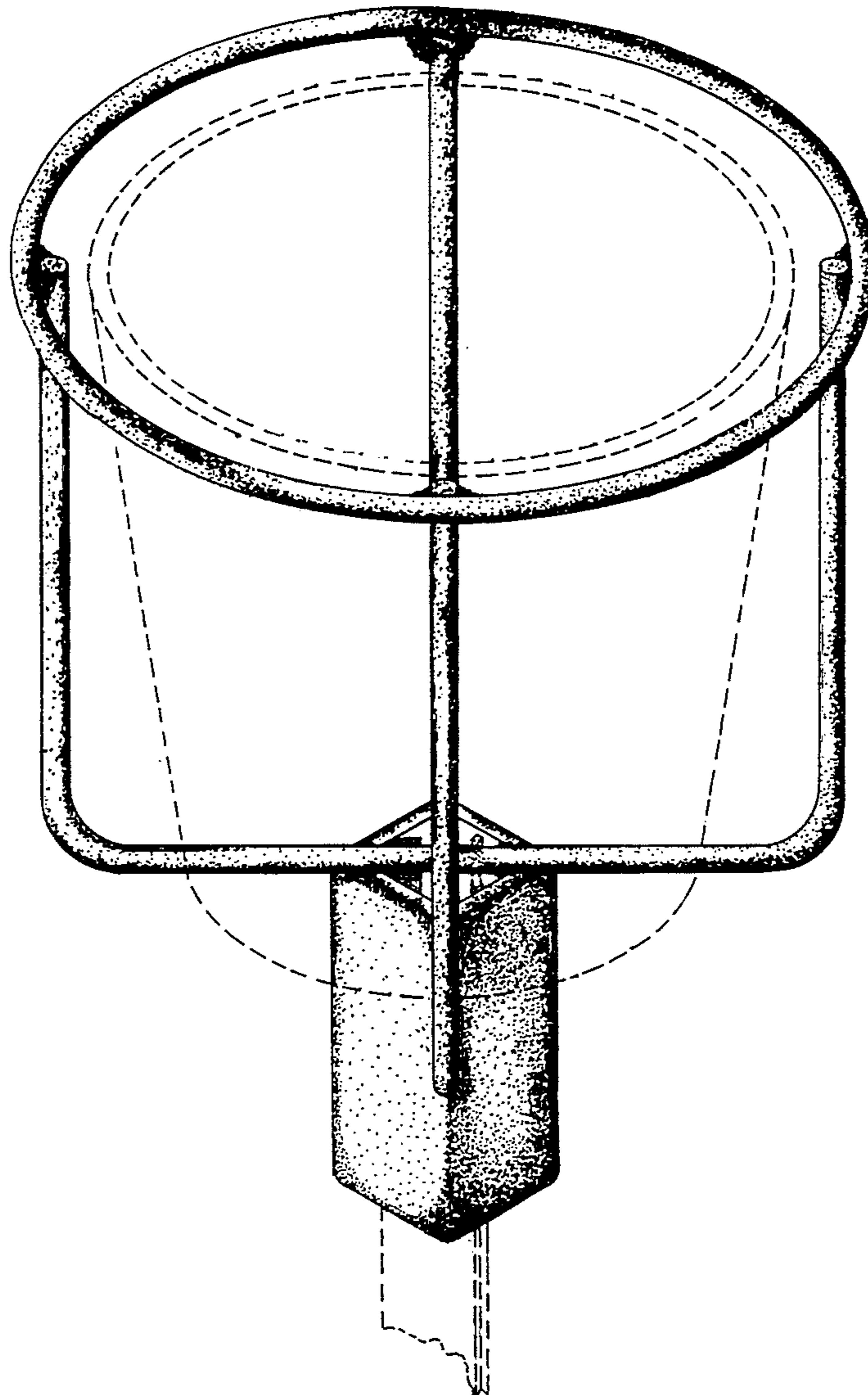
FIG. 4 is a planar bottom view thereof;

The dotted line representations of a flower pot and a post as shown in FIGS. 1, 2 and 3 are for illustrative purposes only and constitute no part of my claimed invention.

[56] **References Cited**

U.S. PATENT DOCUMENTS

D. 57,843	5/1921	Knowles	D6/403
D. 77,248	12/1928	Marshak	D6/403
D. 90,966	11/1933	Bach	D6/556
D. 172,550	7/1954	Peirce	D11/143
D. 193,957	10/1962	Young	D6/462
D. 228,727	10/1973	Harrell	D6/462



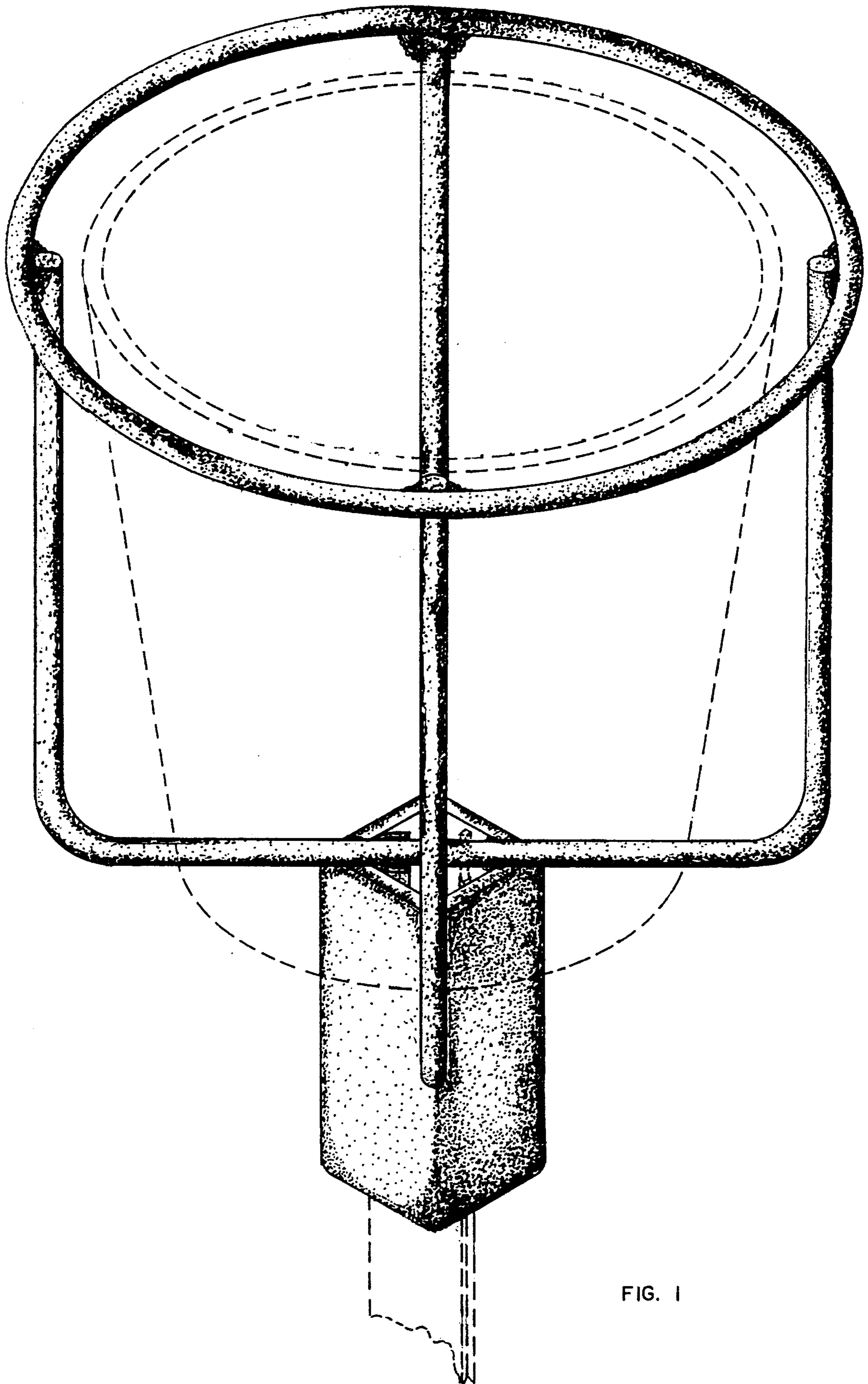


FIG. 1

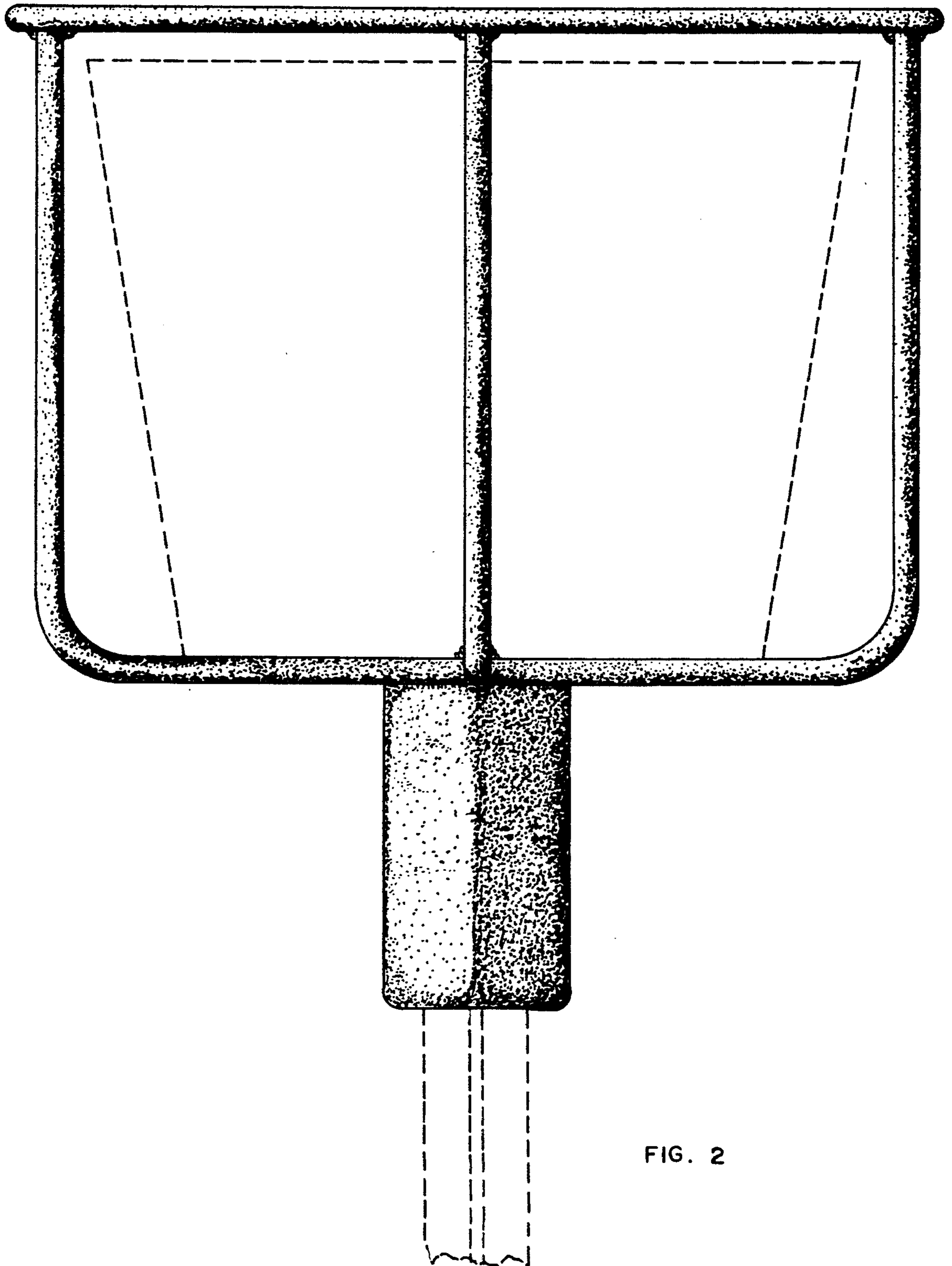


FIG. 2

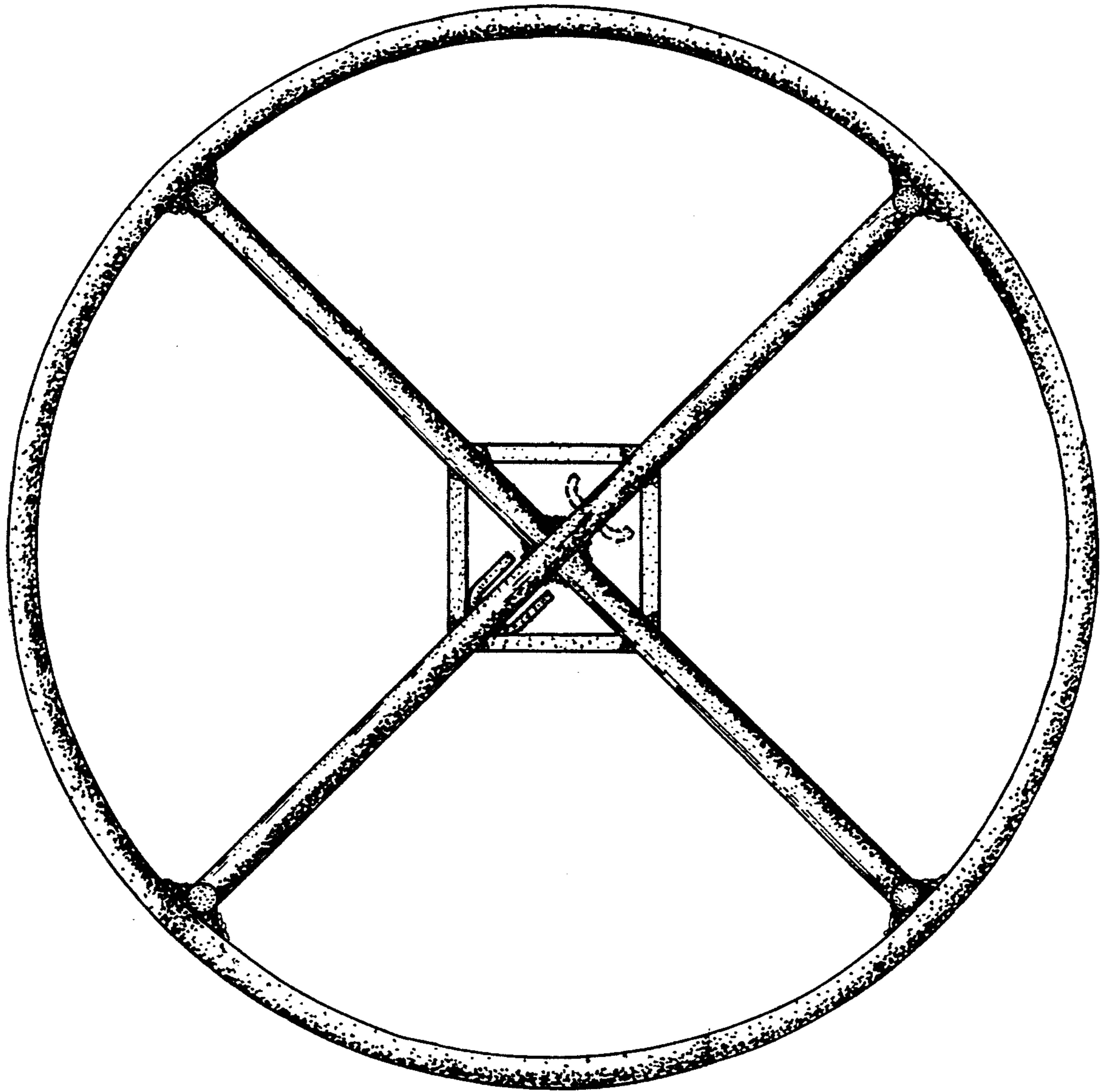


FIG. 3

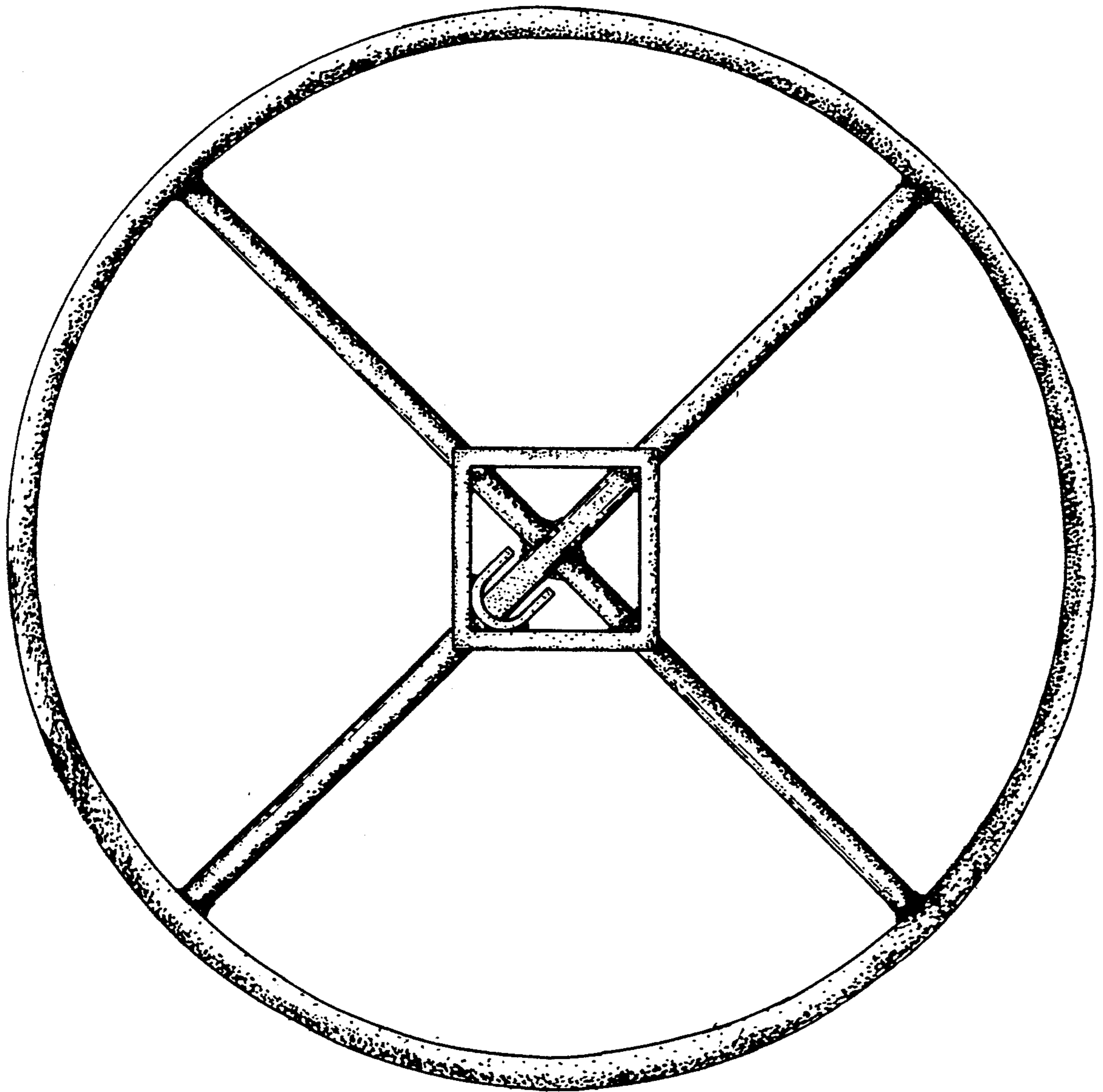


FIG. 4