



US00D350075S

# United States Patent [19]

[11] Patent Number: **Des. 350,075**

Reeder

[45] Date of Patent: **\*\* Aug. 30, 1994**

[54] **REMOVABLE KEYBOARD FOR WEIGHING SCALE**

D. 304,721	11/1989	Mikan	.....	D14/115
D. 315,361	3/1991	Kojima et al.	.....	D18/55
3,807,518	4/1974	Meade	.....	177/252
4,010,810	3/1977	Pickett	.....	177/157

[75] Inventor: **Paul A. Reeder**, Columbus, Ohio

[73] Assignee: **Mettler-Toledo, Inc.**, Worthington, Ohio

*Primary Examiner*—Alan P. Douglas  
*Assistant Examiner*—Antoine D. Davis

[\*\*] Term: **14 Years**

[57] **CLAIM**

[21] Appl. No.: **9,308**

The ornamental design for a removable keyboard for weighing scale, as shown.

[22] Filed: **Jun. 10, 1993**

**DESCRIPTION**

[52] U.S. Cl. .... **D10/94**

[58] Field of Search ..... 177/236, 157, 252;  
235/145 A, 145 R; 340/700, 706, 711, 712;  
D10/94, 95, 91; D14/114, 115

FIG. 1 is a top and right front perspective view of a removable keyboard for weighing scale showing my new design;

FIG. 2 is a front elevational view thereof;

FIG. 3 is a rear elevational view thereof;

FIG. 4 is a top plan view thereof;

FIG. 5 is a left side elevational view thereof;

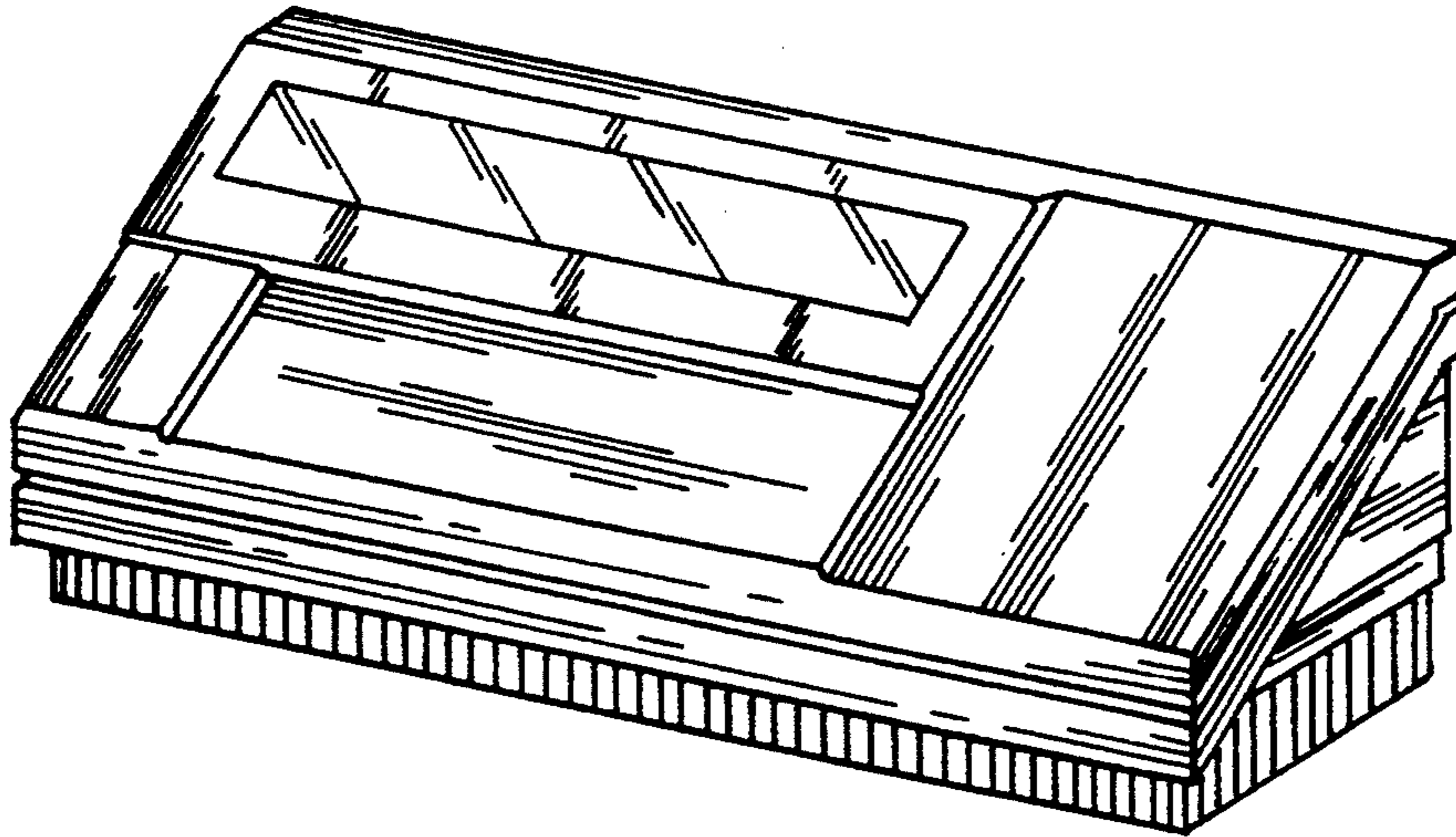
FIG. 6 is a right side elevational view thereof; and,

FIG. 7 is a bottom plan view thereof.

[56] **References Cited**

**U.S. PATENT DOCUMENTS**

D. 281,586	12/1985	Chandler	.....	D10/91
D. 295,966	5/1988	Hutter et al.	.....	D10/78 X



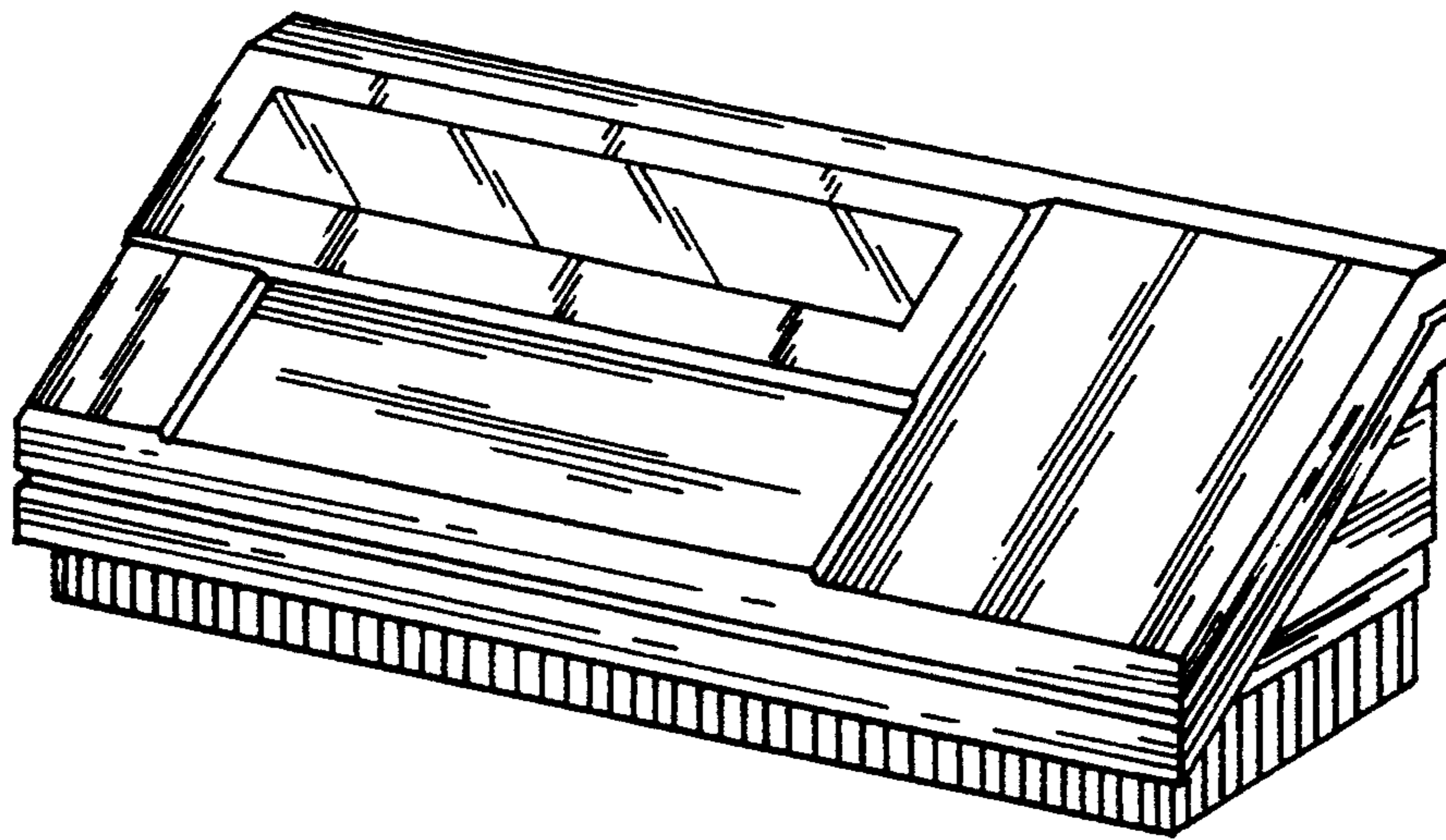


FIG. 1

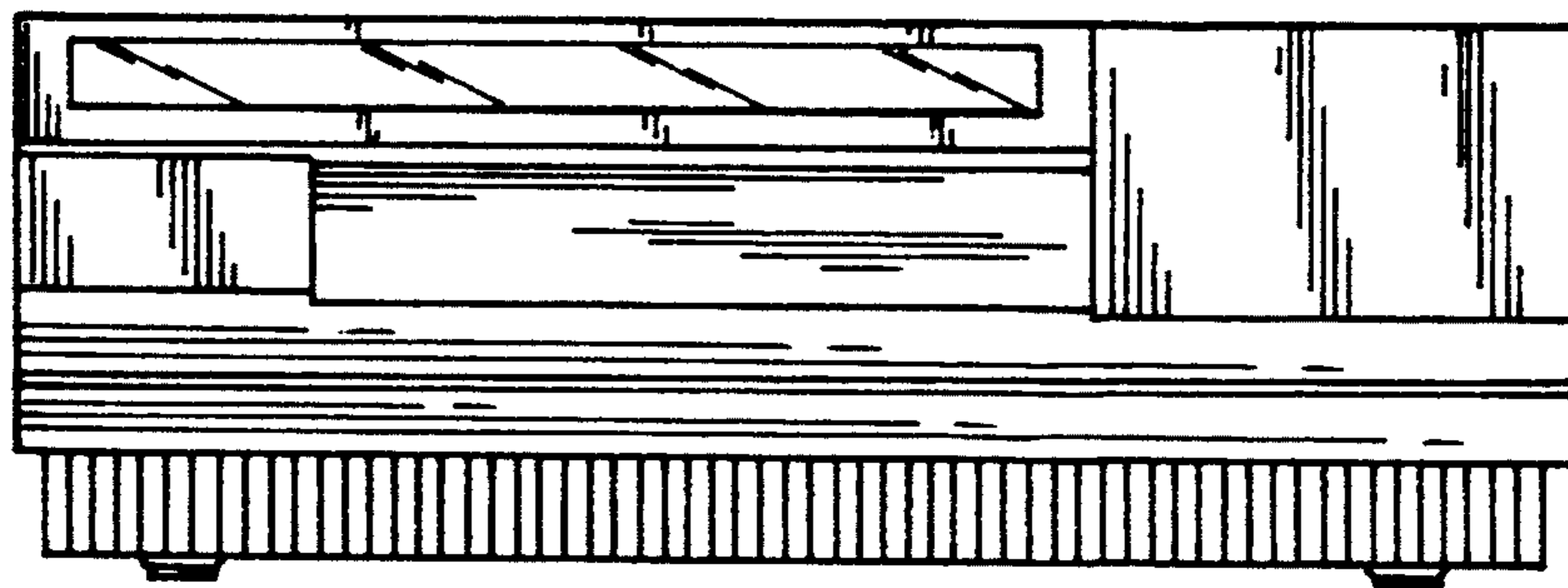


FIG. 2

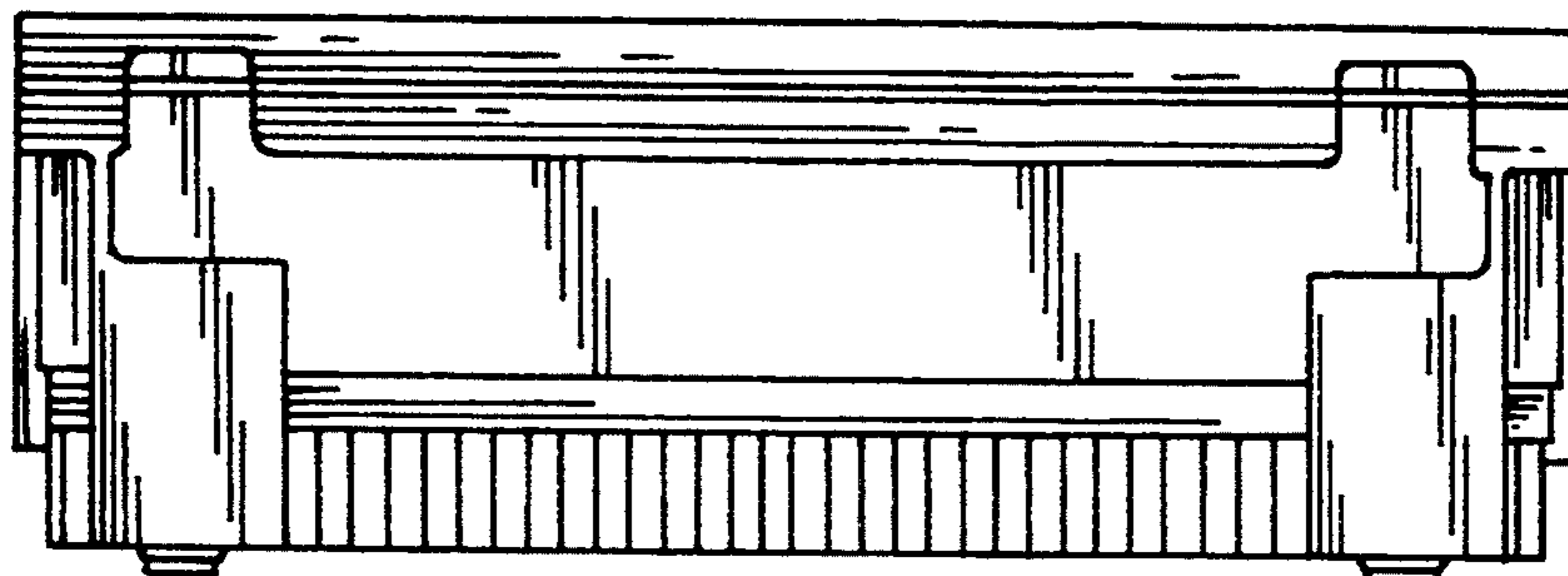


FIG. 3

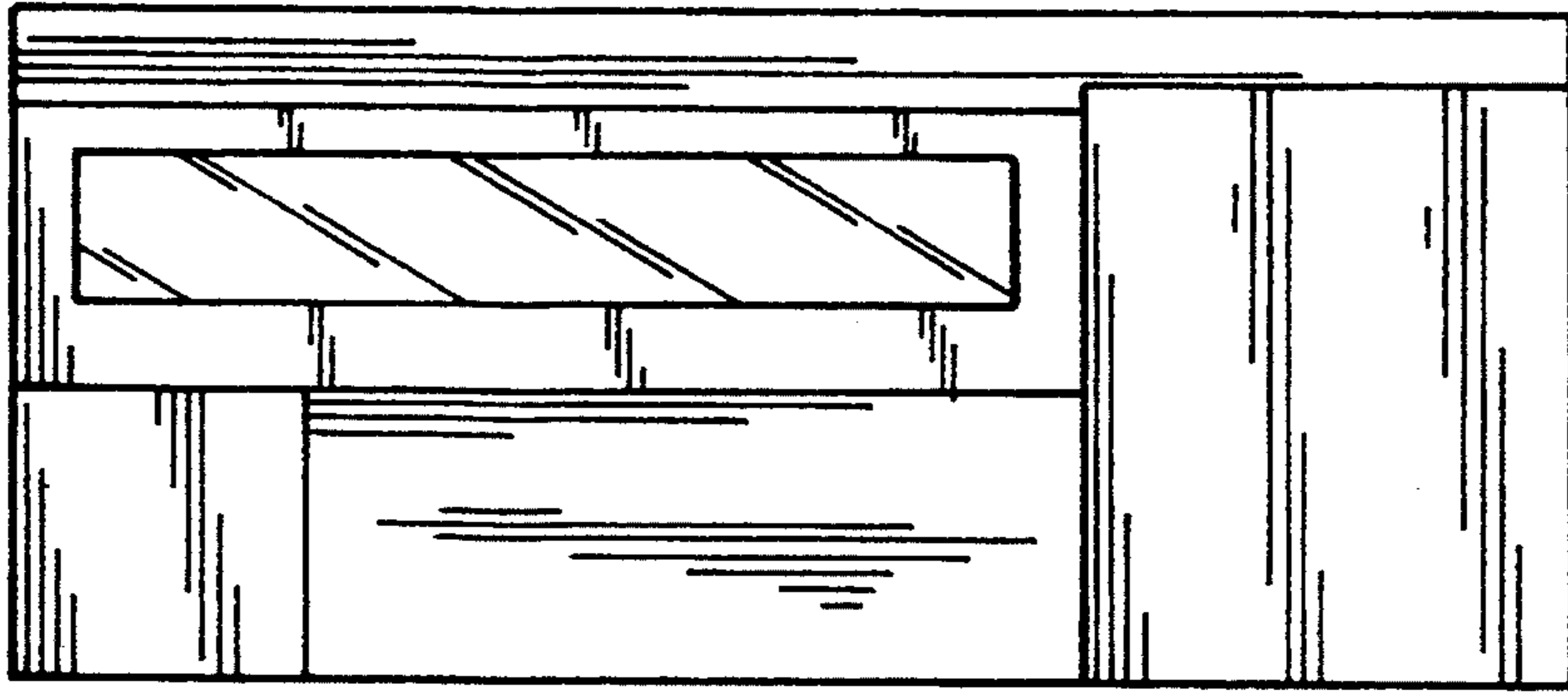


FIG. 4

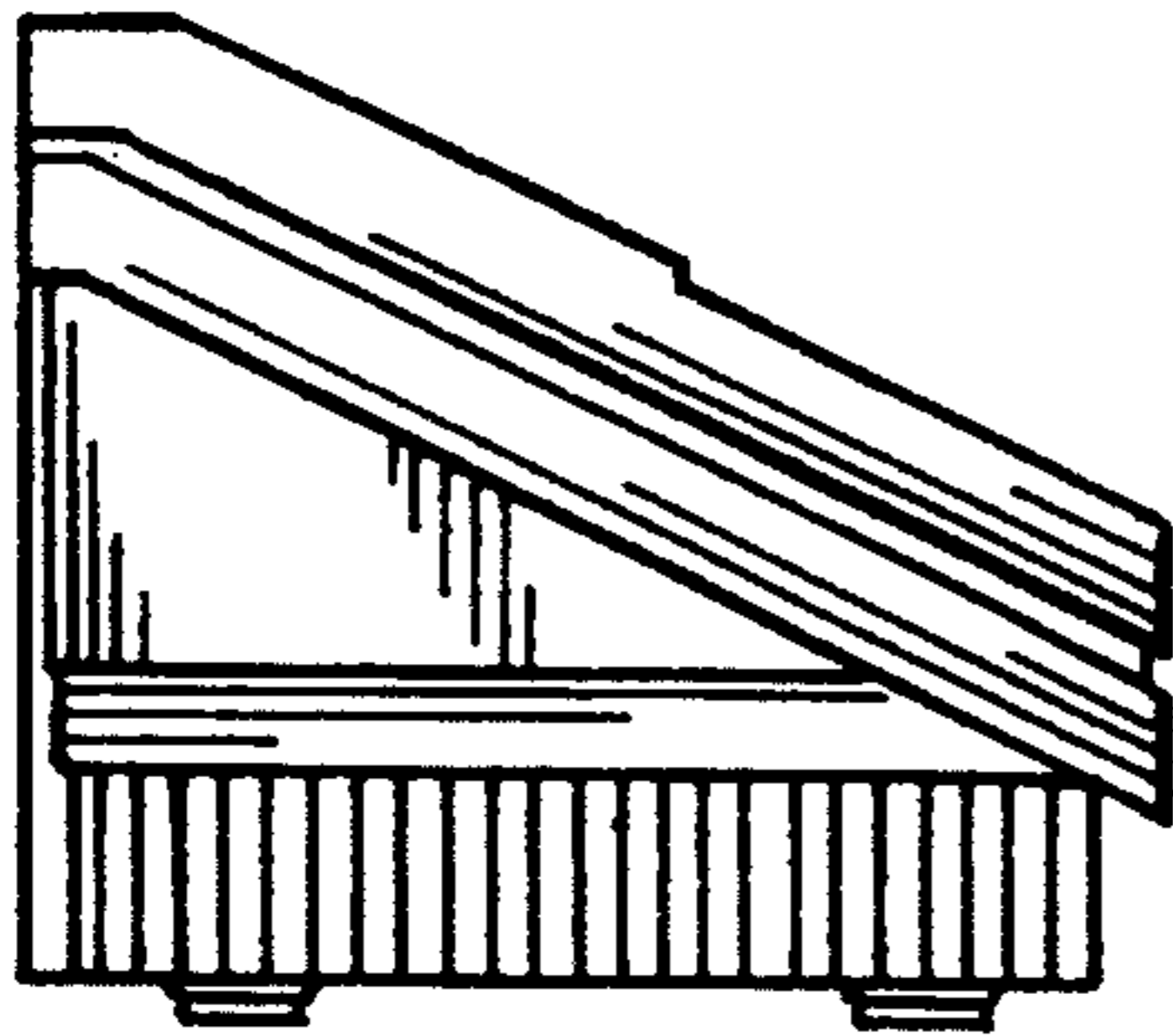


FIG. 5

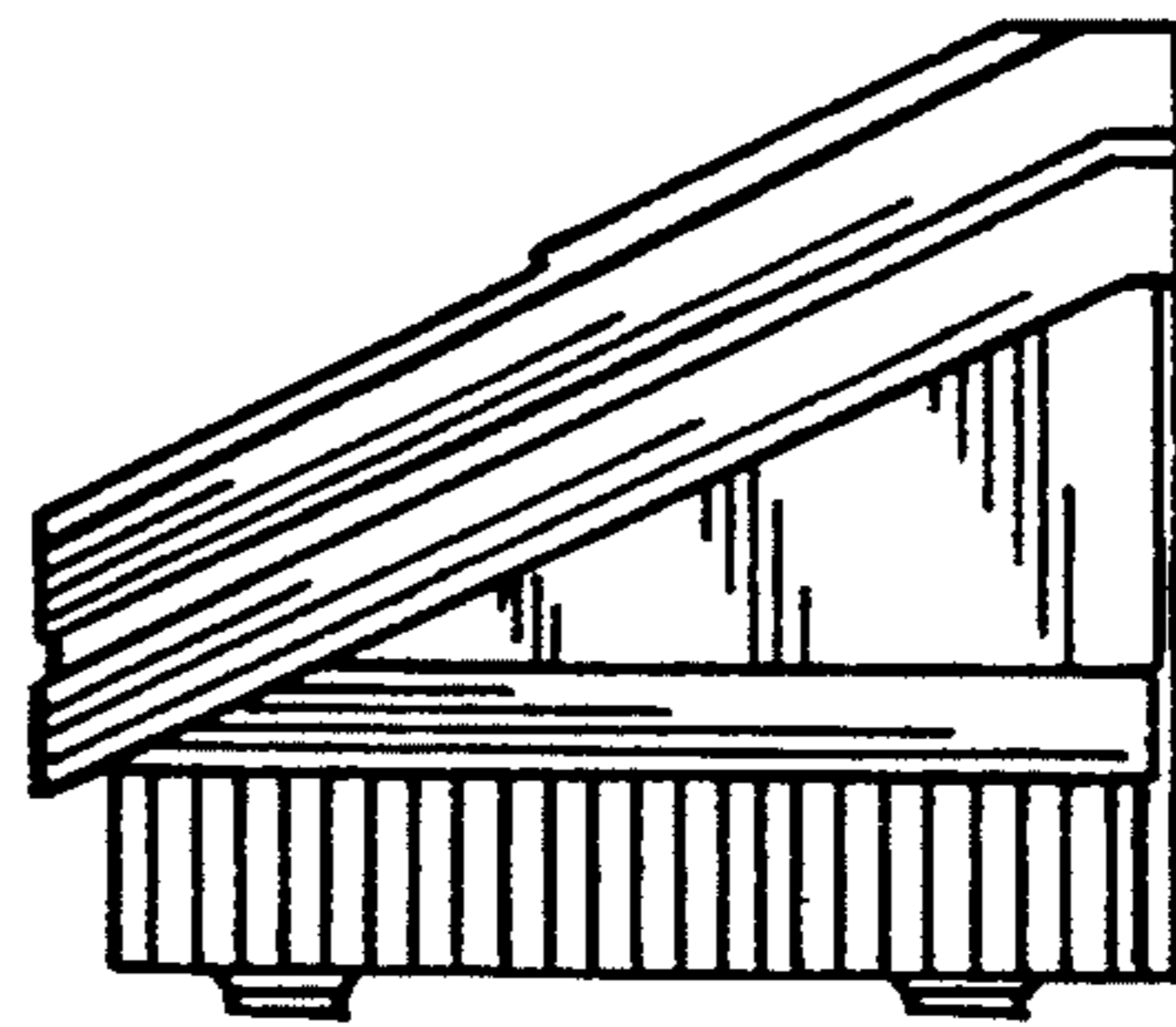


FIG. 6

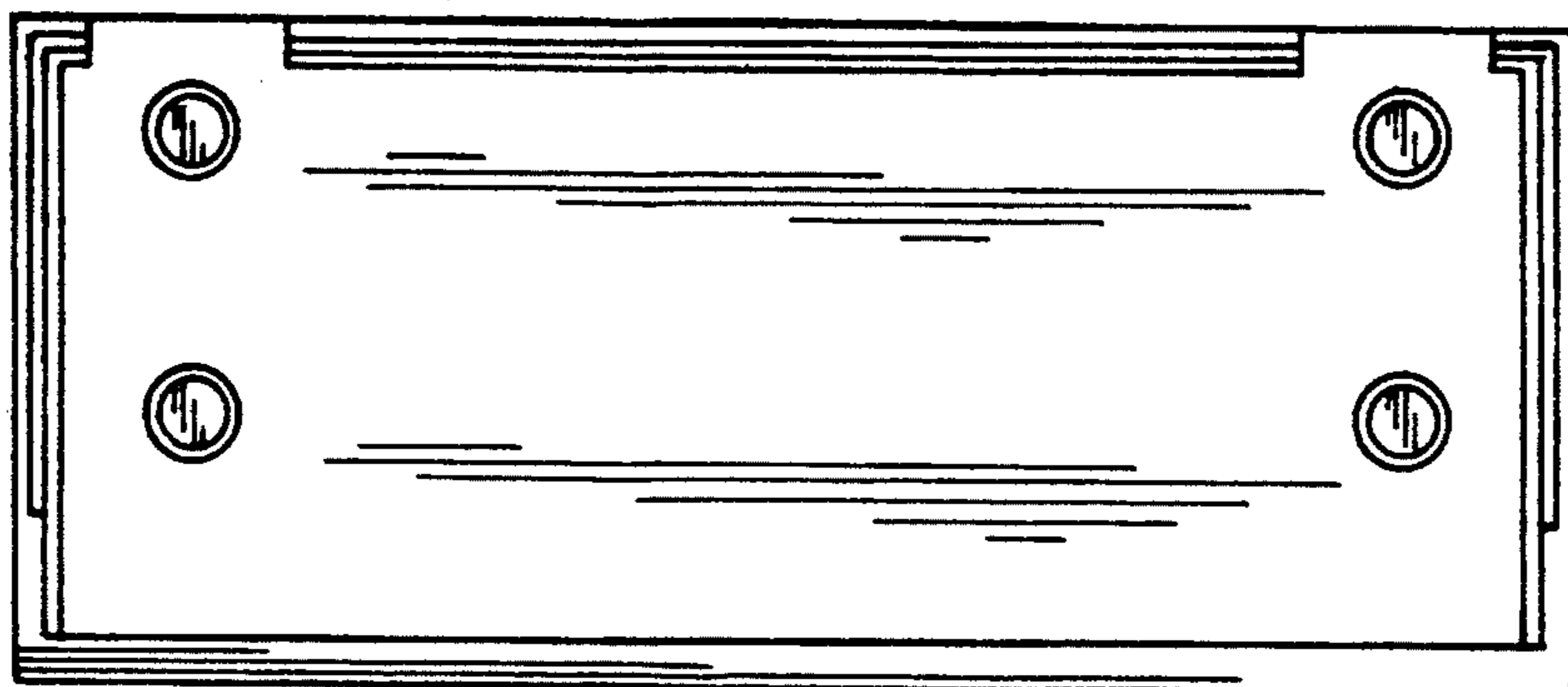


FIG. 7