



US00D350073S

# United States Patent [19]

[11] Patent Number: **Des. 350,073**

Burgener

[45] Date of Patent: **\*\* Aug. 30, 1994**

[54] WATCH

[75] Inventor: **Eddy Burgener**, Moutier,  
Switzerland

[73] Assignee: **Vuarnet Watches S.A.**,  
Collonge-Bellerive, Switzerland

D. 317,871 7/1991 Applegate ..... D10/30  
 D. 321,144 10/1991 Besson ..... D10/39  
 D. 327,022 6/1992 Bulgari ..... D10/39  
 D. 327,653 7/1992 Versace ..... D10/32  
 D. 333,621 3/1993 Gradel ..... D10/30

*Primary Examiner*—Nelson C. Holtje  
*Attorney, Agent, or Firm*—McGlew and Tuttle

[\*\*] Term: **14 Years**

### [57] CLAIM

[21] Appl. No.: **854,952**

The ornamental design for a watch, as shown and described.

[22] Filed: **Mar. 19, 1992**

### DESCRIPTION

#### [30] Foreign Application Priority Data

Sep. 25, 1991 [IB] Int'l Pat. Institute ..... DM/020 742

[52] U.S. Cl. .... **D10/39; D10/30**

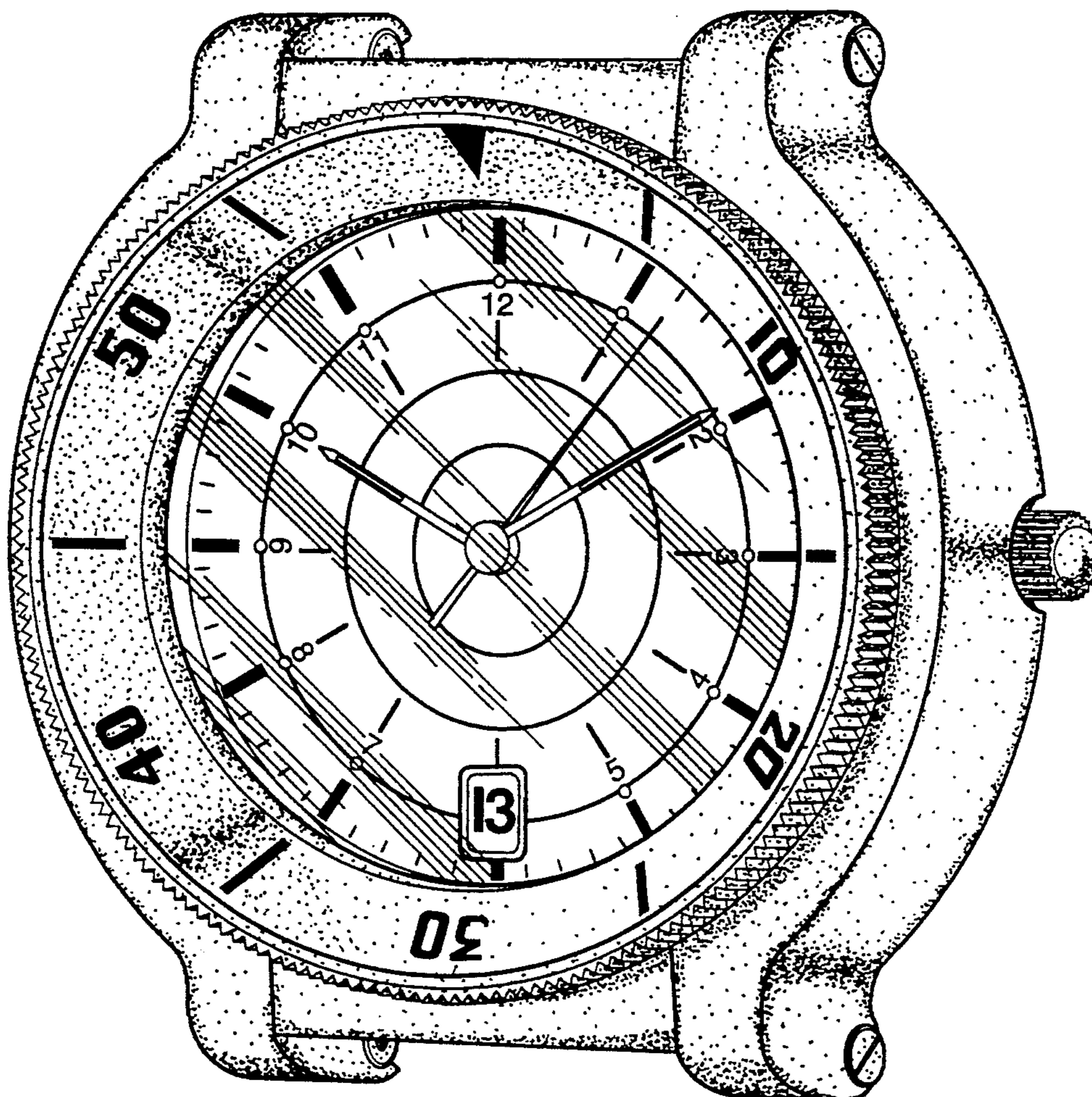
[58] Field of Search ..... 368/276, 277, 280-282,  
368/285; D10/1-40, 122-132

FIG. 1 is a top plan view of my new watch design;  
 FIG. 2 is a bottom plan view of the watch design according to FIG. 1;  
 FIG. 3 is a front end view of the watch design of FIG. 1;  
 FIG. 4 is a rear end view of the watch design of FIG. 1;  
 FIG. 5 is a right side view of the watch design of FIG. 1;  
 FIG. 6 is a left side view of the watch design of FIG. 1;  
 and,  
 FIG. 7 is a right front perspective view of the watch design of FIG. 1.

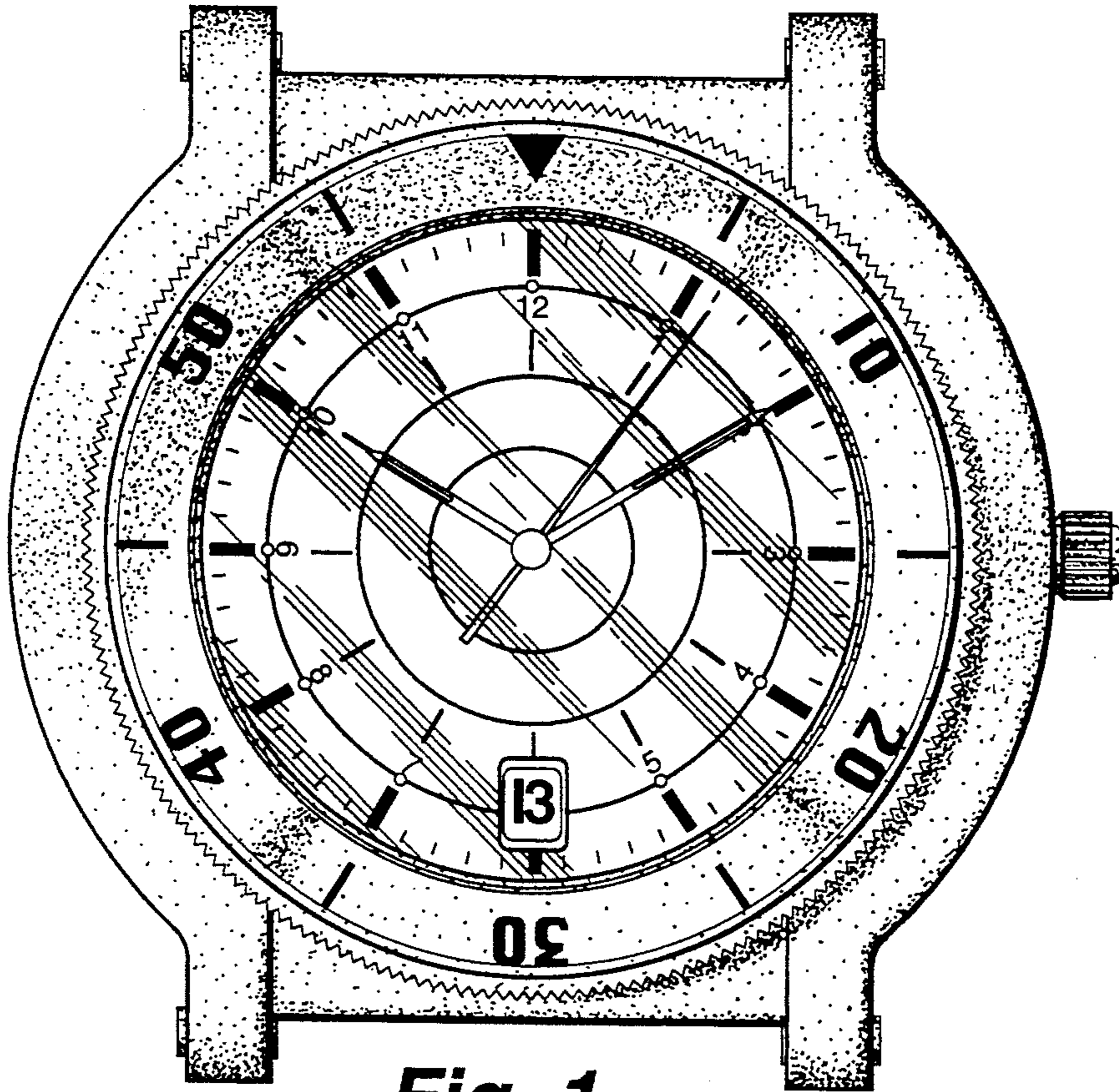
#### [56] References Cited

##### U.S. PATENT DOCUMENTS

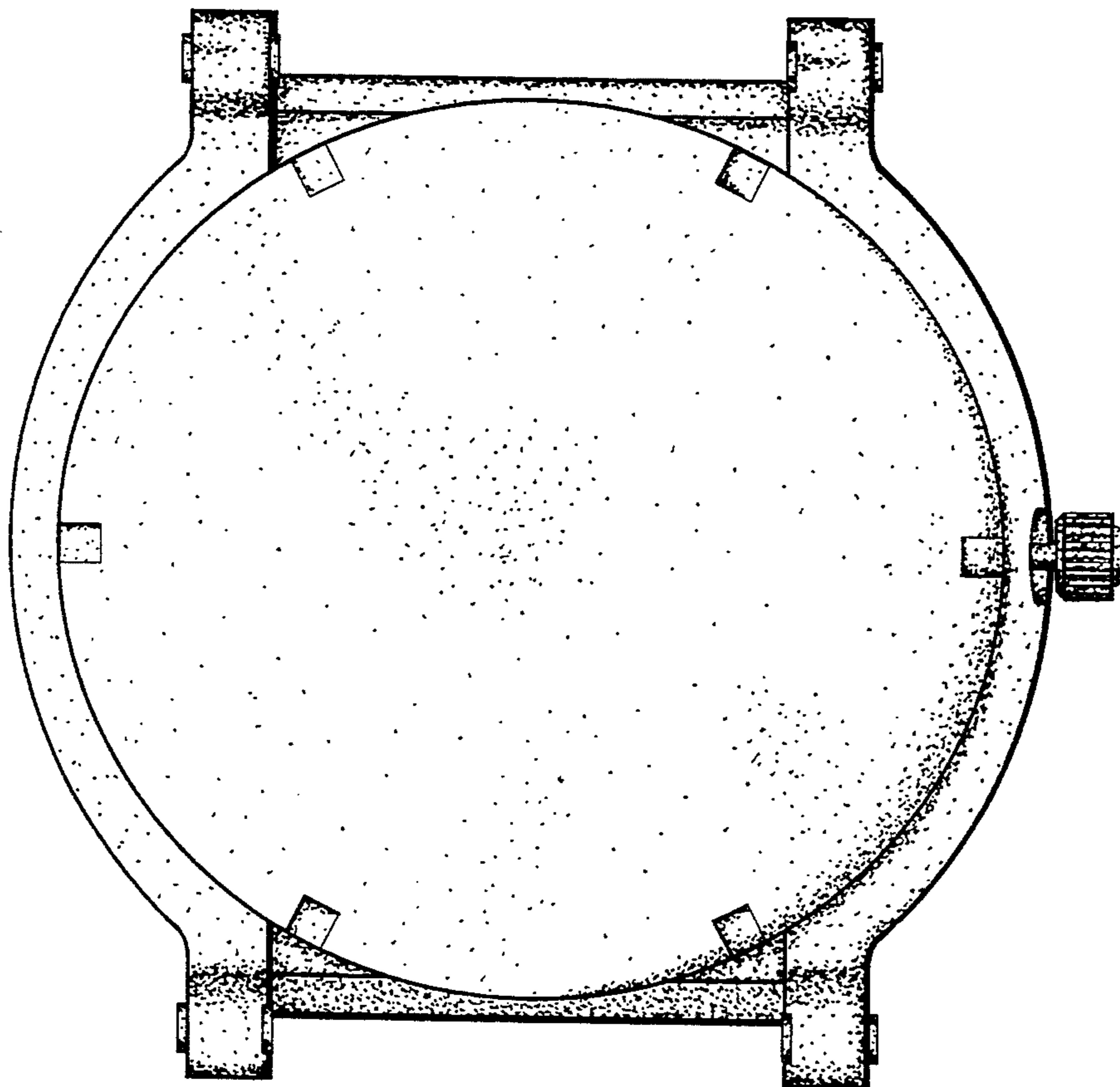
D. 267,237 12/1982 Kanoui ..... D10/39  
 D. 286,755 11/1986 Manfredi ..... D10/39  
 D. 303,770 10/1989 Woomer ..... D10/39  
 D. 315,517 3/1991 Genta ..... D10/39



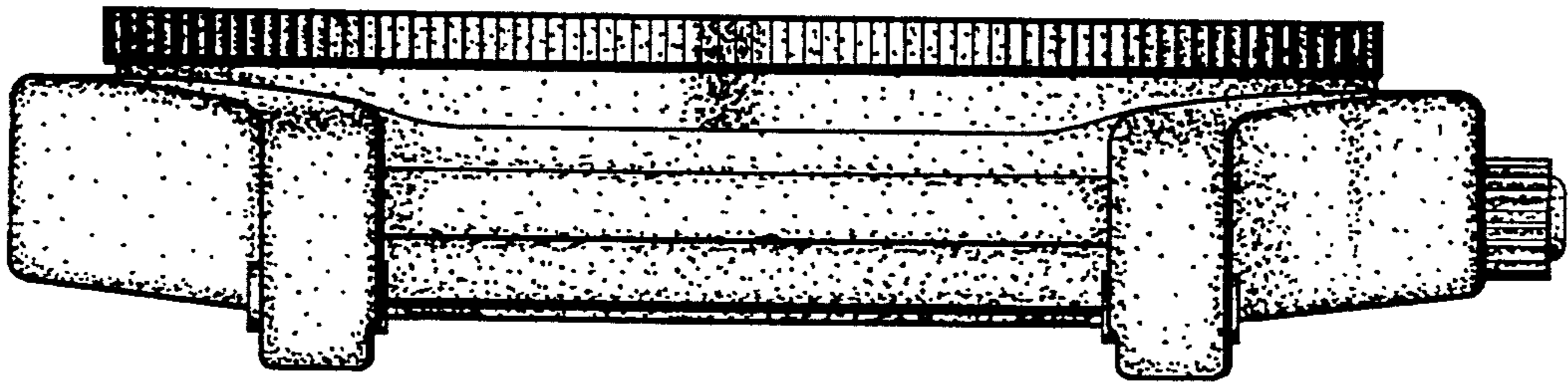




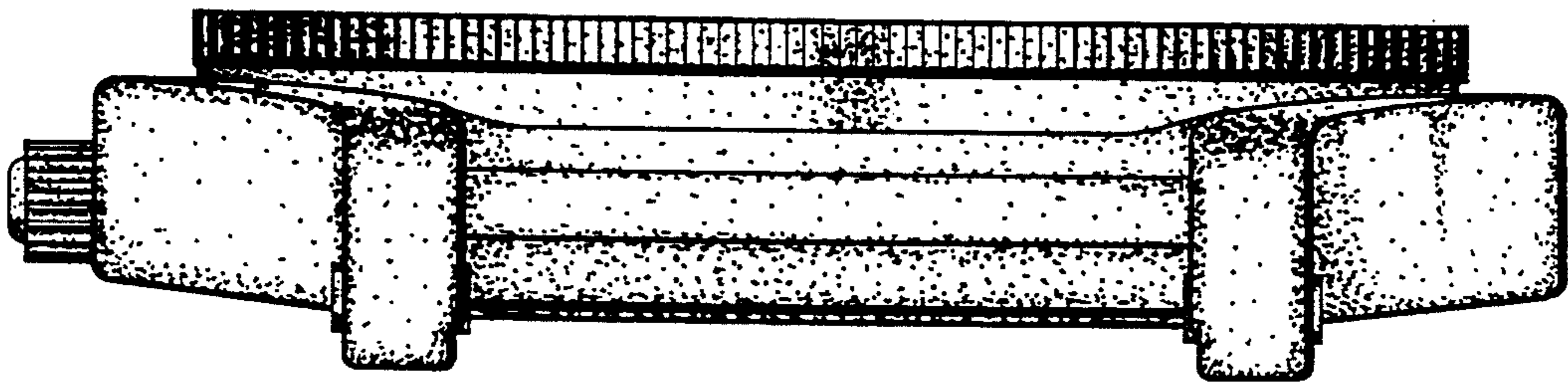
***Fig. 1***



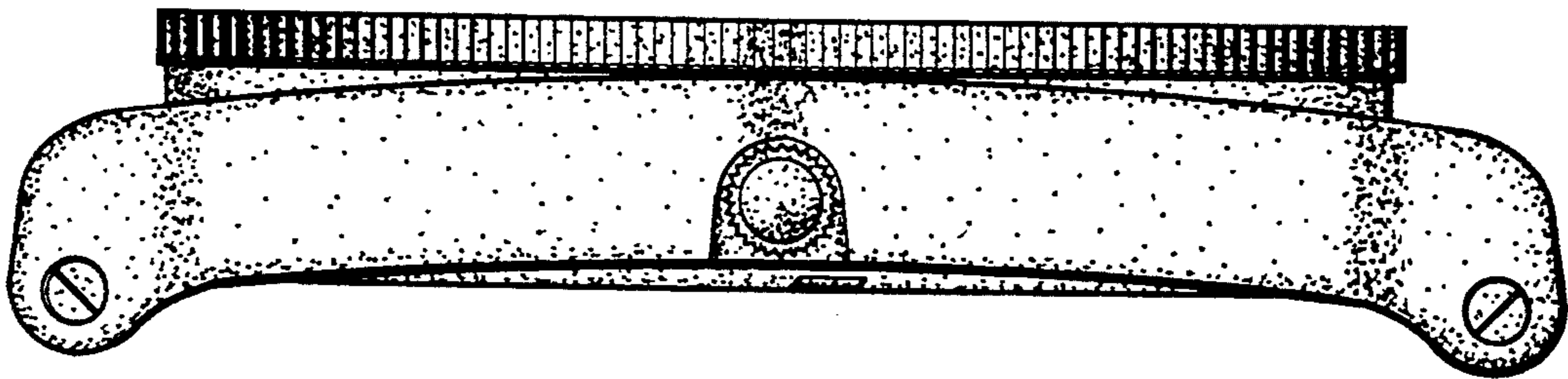
***Fig. 2***



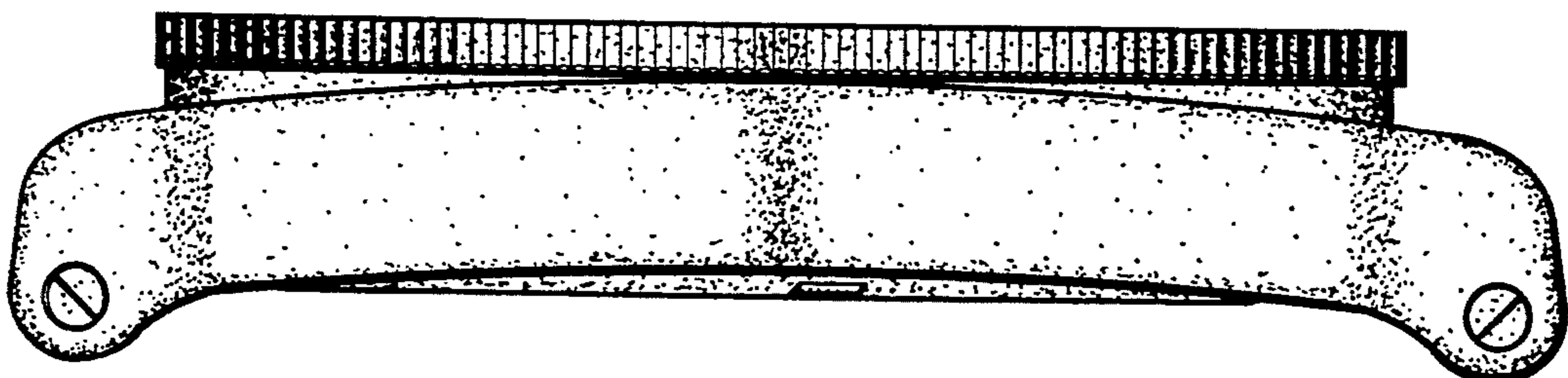
**Fig. 3**



**Fig. 4**

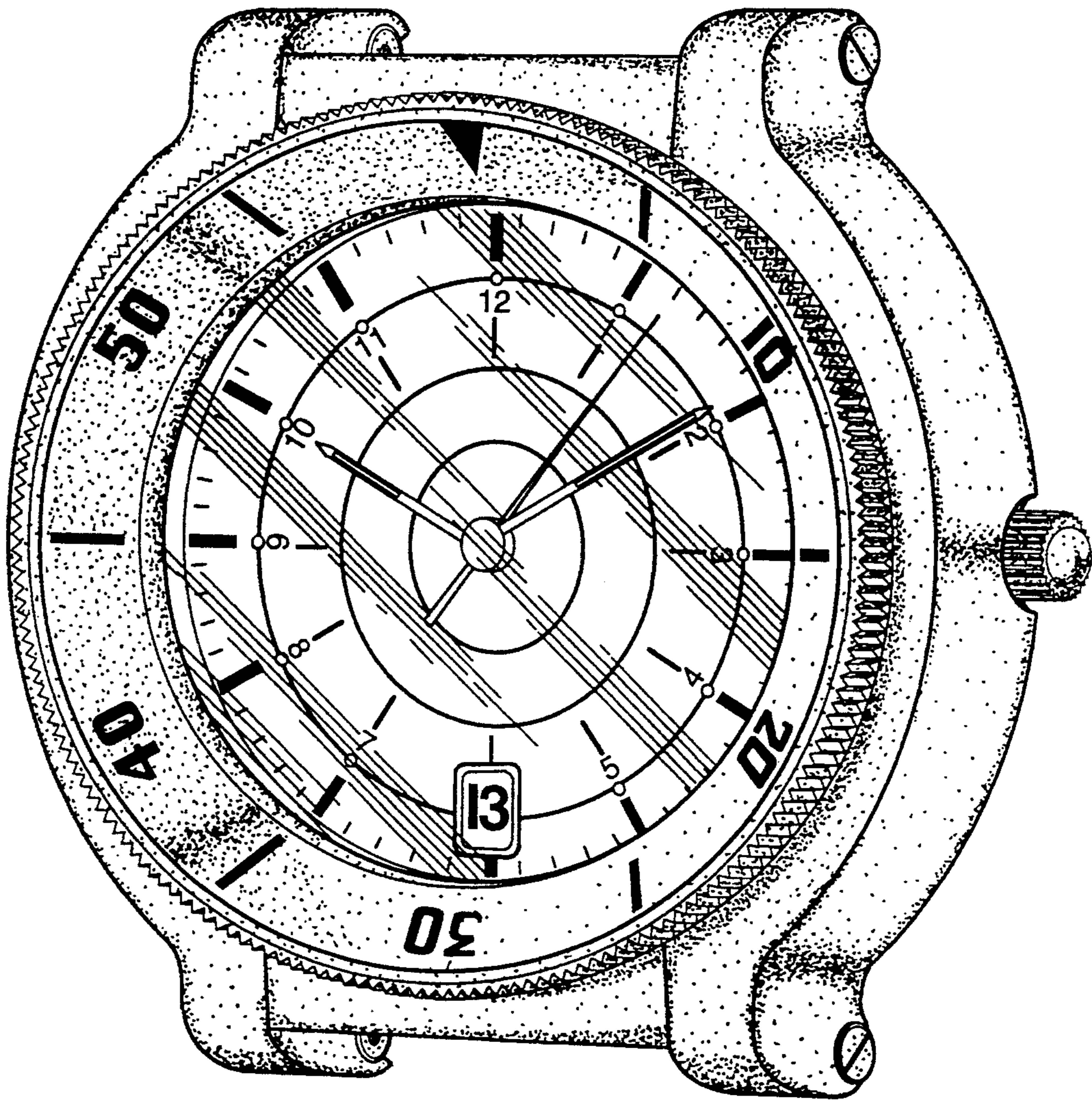


**Fig. 5**



**Fig. 6**





**Fig. 7**