



US00D350071S

United States Patent [19] Giardiello

[11] Patent Number: **Des. 350,071**

[45] Date of Patent: **** Aug. 30, 1994**

[54] WATCH

[75] Inventor: **Barbara Giardiello**, Naples, Italy

[73] Assignee: **Lucien Rochat SA**, Bienne, Switzerland

[**] Term: **14 Years**

[21] Appl. No.: **849,133**

[22] Filed: **Mar. 10, 1992**

[30] **Foreign Application Priority Data**

Sep. 11, 1991 [IB] Int'l Pat. Institute DMA/001586

[52] U.S. Cl. **D10/32; D10/30; D10/39**

[58] Field of Search 368/223, 228-229, 368/280-282; D10/1-40, 122-132

[56] **References Cited**

U.S. PATENT DOCUMENTS

- D. 195,421 6/1963 Huguenin D10/39
- D. 297,817 9/1988 Guan D10/30
- D. 321,144 10/1991 Besson D10/39
- D. 324,825 3/1992 Besson D10/30

- D. 326,058 5/1992 Schneider D10/39
- D. 331,884 12/1992 Wunderman D10/39 X
- D. 336,616 6/1993 Gueit D10/39
- 3,427,800 2/1969 Blum 368/223
- 5,077,708 12/1991 Schneider 368/281 X

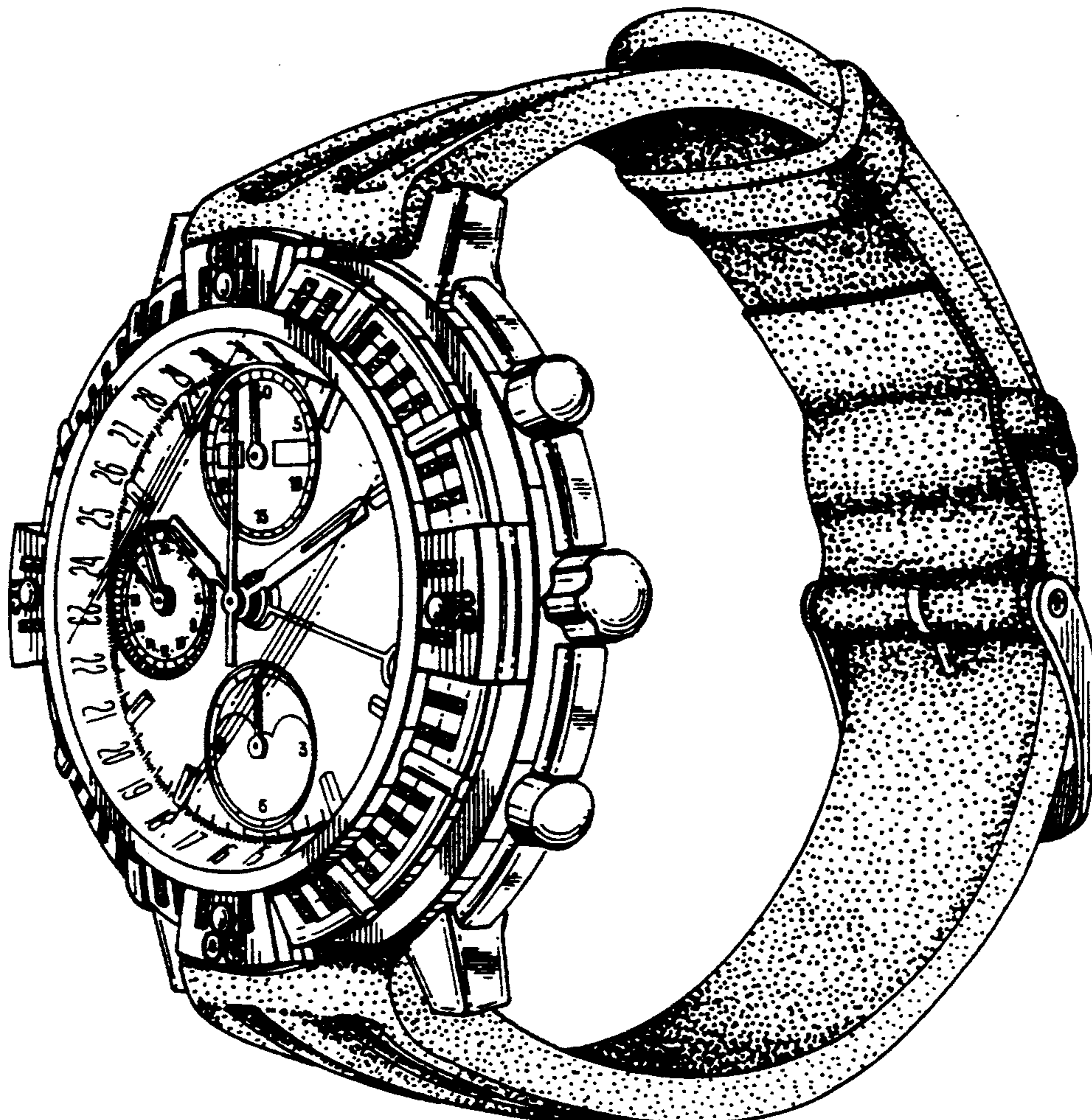
Primary Examiner—Nelson C. Holtje
Attorney, Agent, or Firm—McGlew & Tuttle

[57] **CLAIM**

The ornamental design for a watch, as shown and described.

DESCRIPTION

FIG. 1 is top plan view of my new watch design; FIG. 2 is a bottom view of the watch according to FIG. 1; FIG. 3 is a front end view of the watch design of FIG. 1; FIG. 4 is a rear end view of the watch design of FIG. 1; FIG. 5 is a right side view of the watch design of FIG. 1; FIG. 6 is a left side view of the watch design of FIG. 1; and, FIG. 7 is a perspective view of the watch design of FIG. 1.



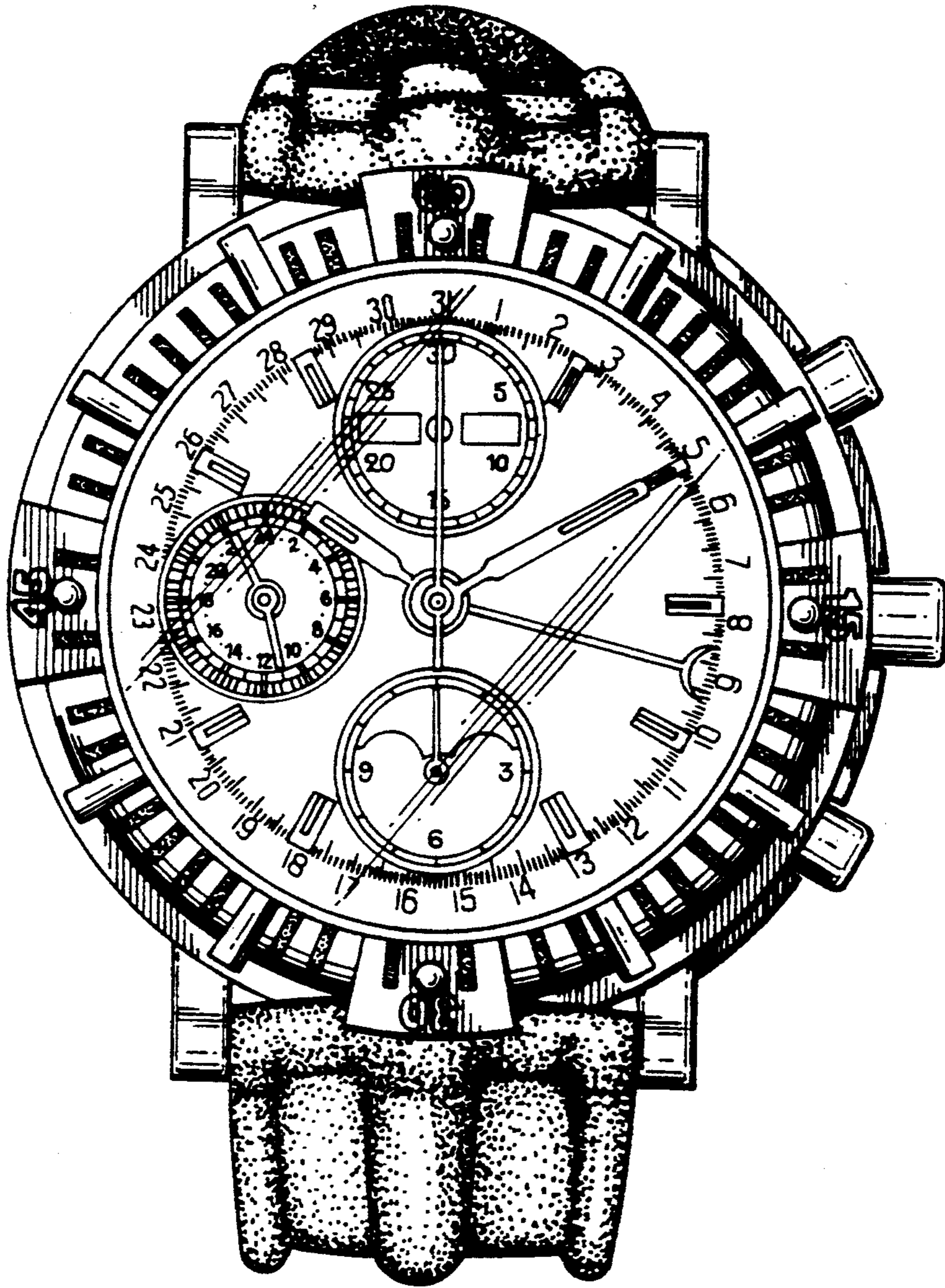


FIG. 1

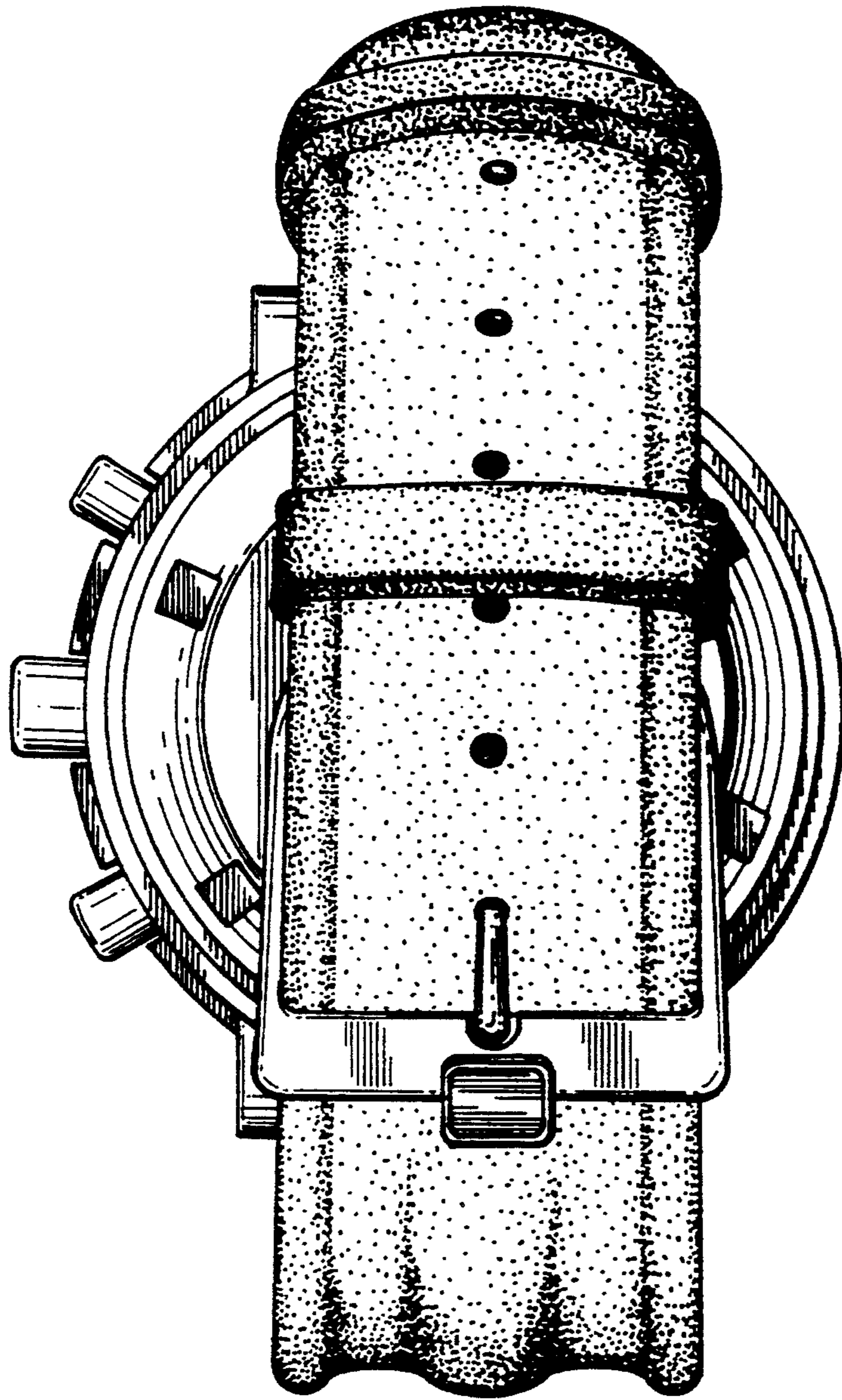


FIG. 2

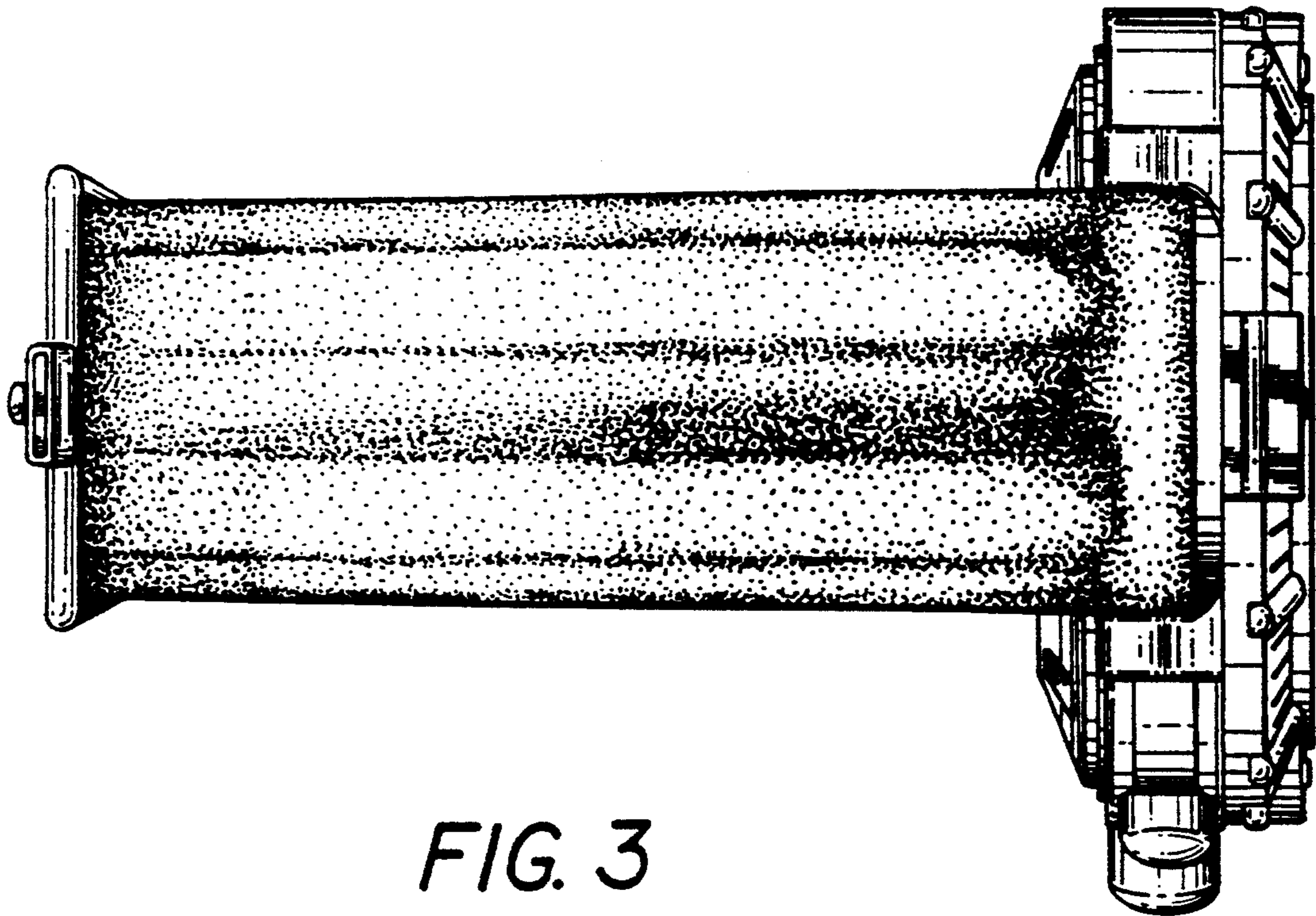


FIG. 3

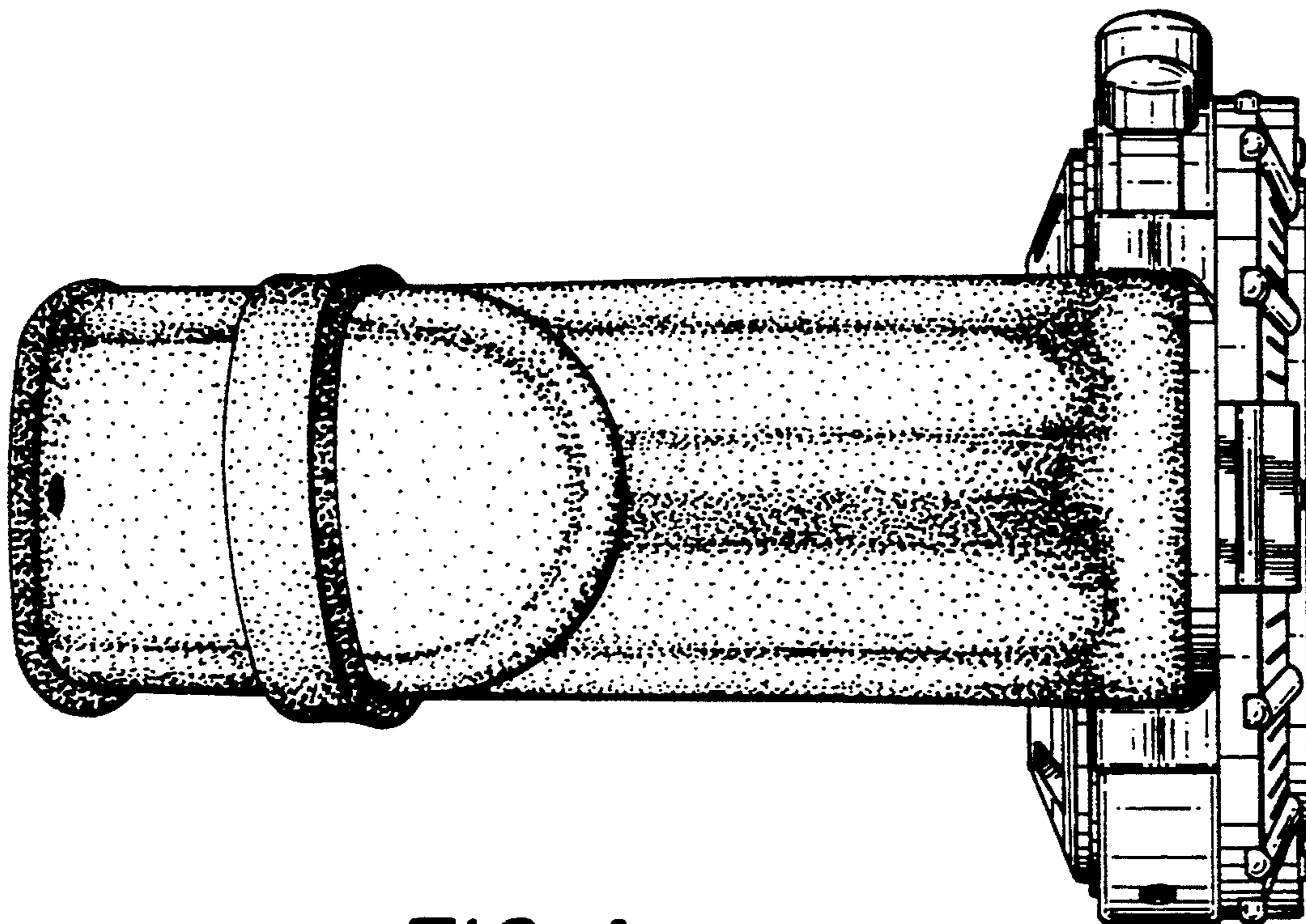


FIG. 4

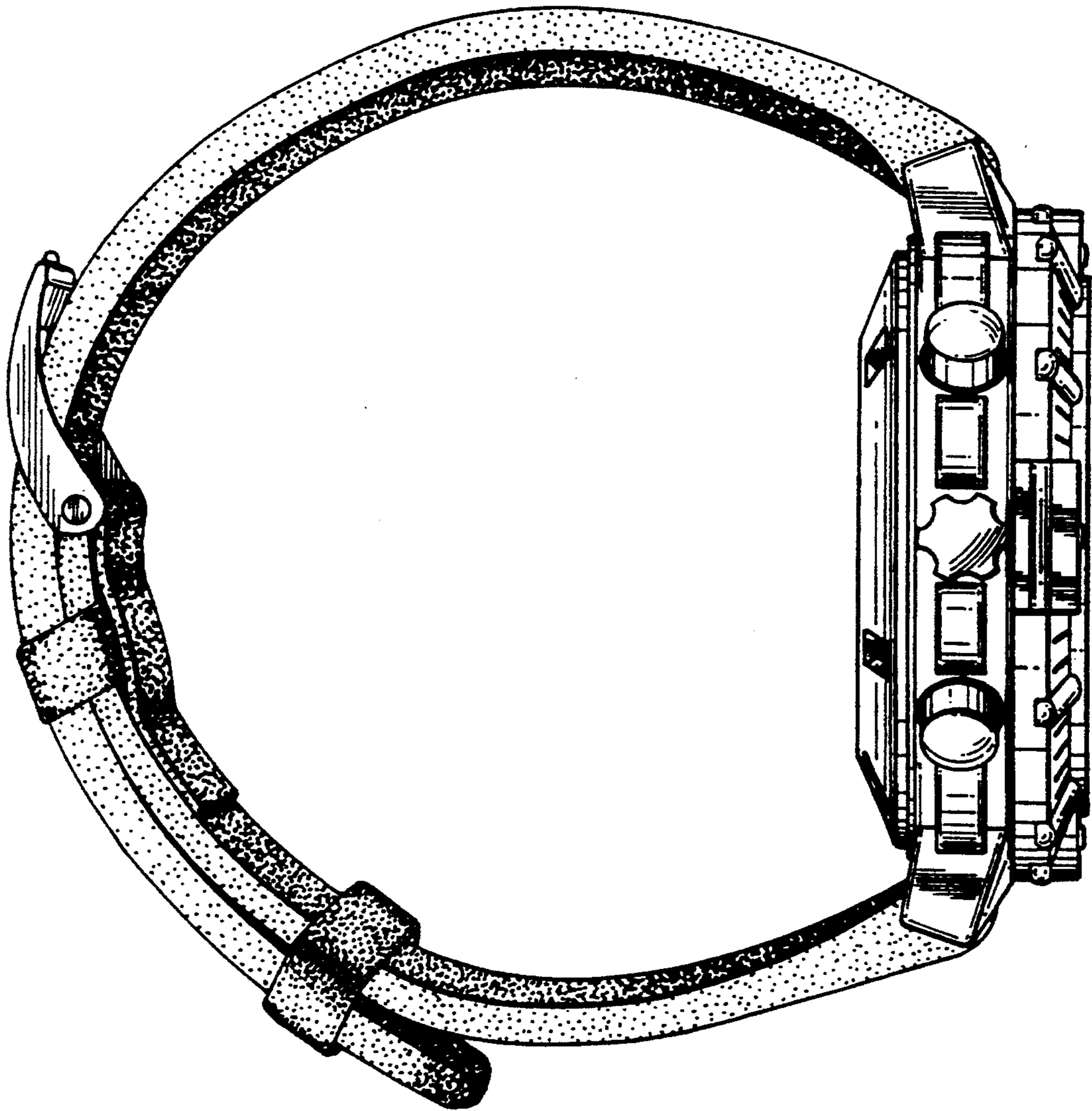


FIG. 5

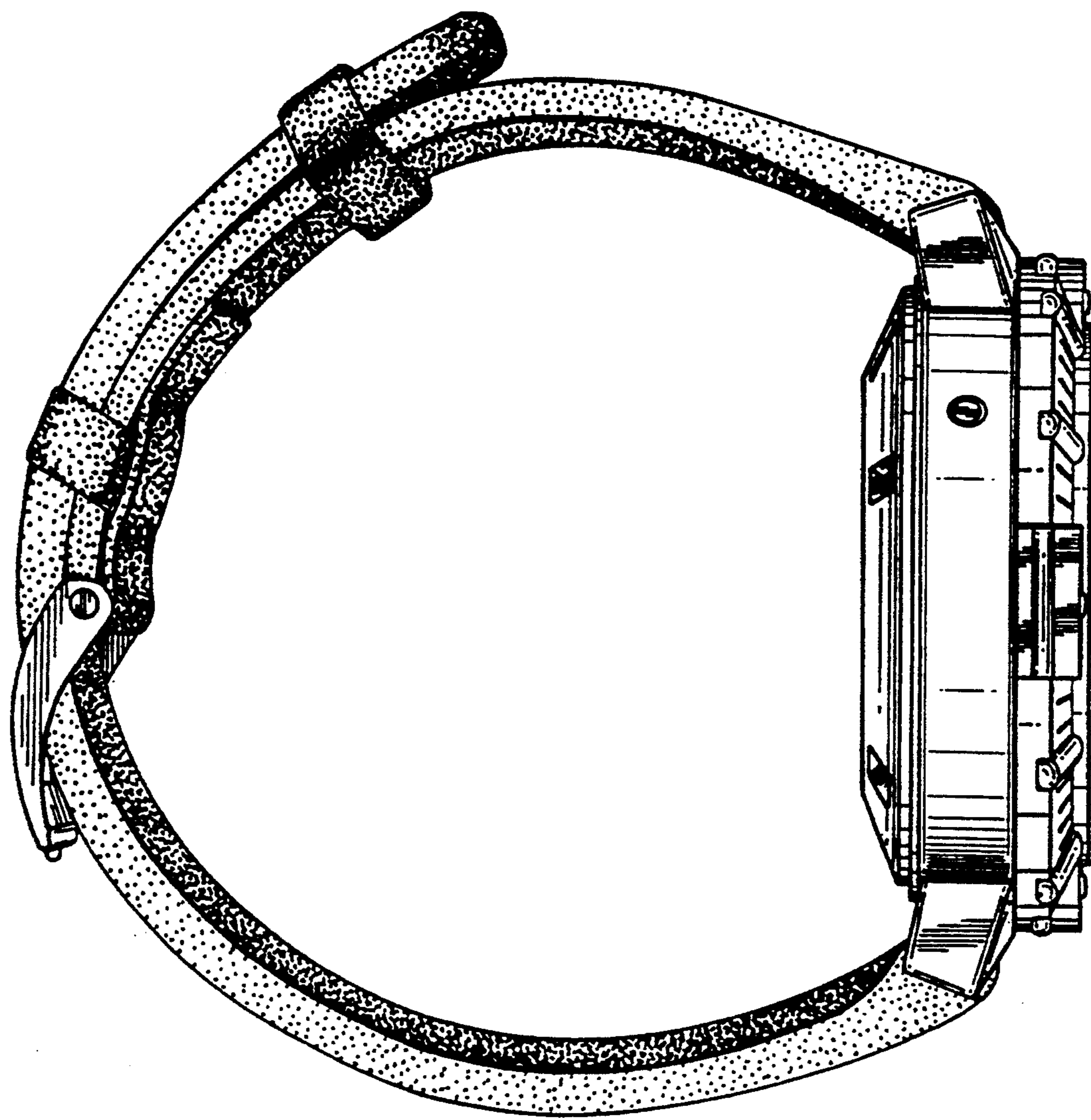


FIG. 6



FIG. 7