



US00D350068S

United States Patent [19]

[11] Patent Number: **Des. 350,068**

Schwartzburg

[45] Date of Patent: **** Aug. 30, 1994**

[54] **COMBINED TAMPERPROOF CONTAINER AND CLOSURE**

[75] Inventor: **James H. Schwartzburg**, Douglas County, Kans.

[73] Assignee: **Packer Plastics, Inc.**, Lawrence, Kans.

[**] Term: **14 Years**

[21] Appl. No.: **705,146**

[22] Filed: **May 24, 1991**

[52] U.S. Cl. **D9/434; D9/503**

[58] Field of Search **D9/434-435, D9/438-439, 443, 445, 447, 449, 451-452; 215/1 R, 32, 200, 237, 256-257, 316-317; 229/1.5 B**

3,112,841	12/1963	Martinelli	D9/439 X
3,172,557	3/1965	Koenig	D9/438 X
3,269,588	8/1966	Ruekberg	D9/445 X
3,362,565	1/1968	McCormick	D9/439 X
4,193,494	3/1980	Green	229/1.5 B X

Primary Examiner—Alan P. Douglas
Assistant Examiner—Robert M. Spear
Attorney, Agent, or Firm—Kokjer, Kircher, Bowman & Johnson

[57] CLAIM

The ornamental design for a combined tamperproof container and closure, as shown and described.

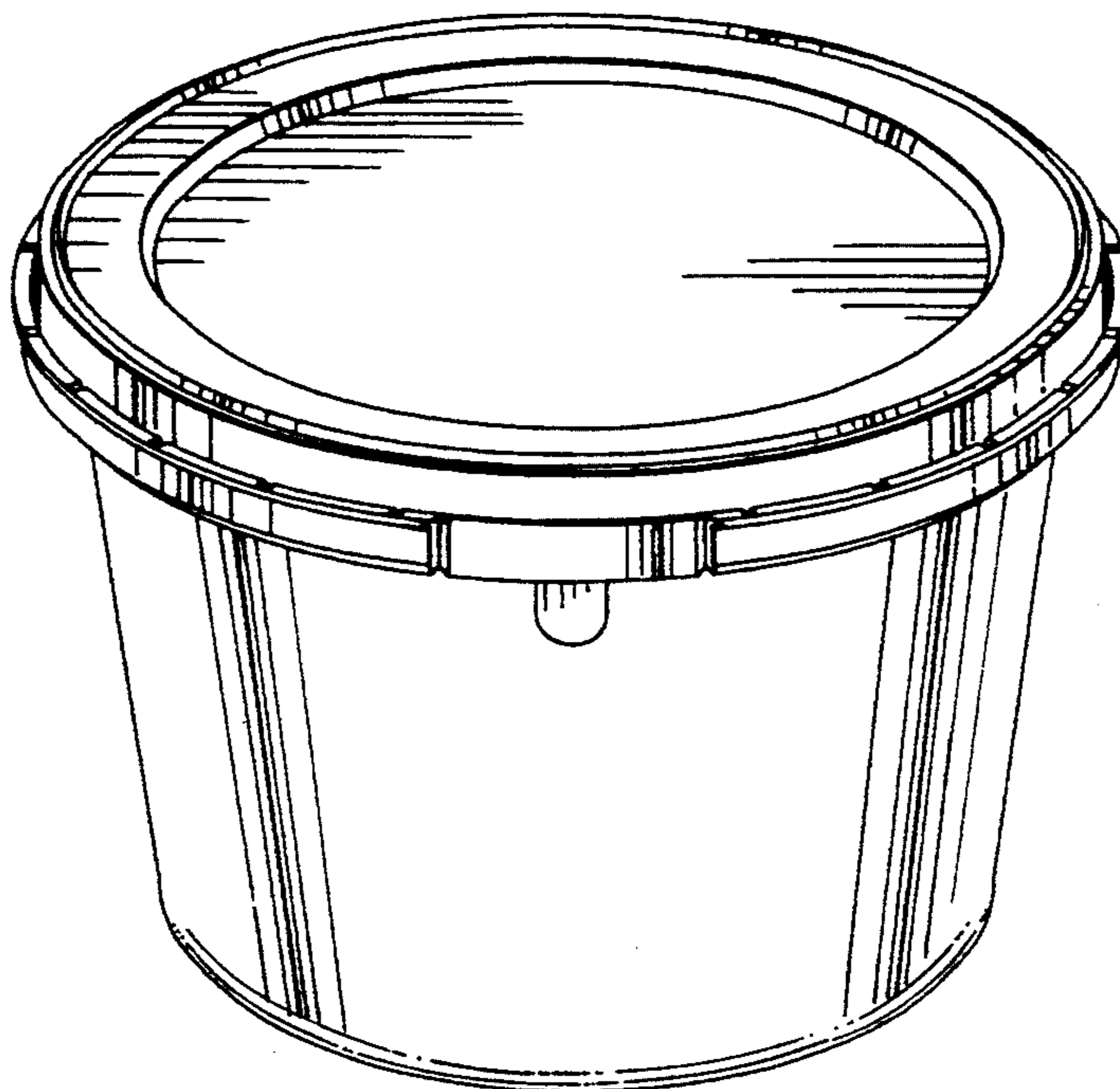
DESCRIPTION

FIG. 1 is a perspective view of a combined tamperproof container and closure, showing my new design; FIG. 2 is a front elevational view thereof; FIG. 3 is a right side elevational view thereof, the opposite side view being a mirror image thereof; FIG. 4 is a rear elevational view thereof; FIG. 5 is a top plan view thereof; FIG. 6 is a bottom plan view thereof; and, FIG. 7 is a bottom perspective view thereof.

[56] References Cited

U.S. PATENT DOCUMENTS

D. 182,779	5/1958	Tupper	D9/443 X
D. 317,120	5/1991	Schwartzburg	D9/435 X
3,044,610	7/1962	Tupper	D9/438 X
3,090,537	5/1963	Pasciak	D9/443 X



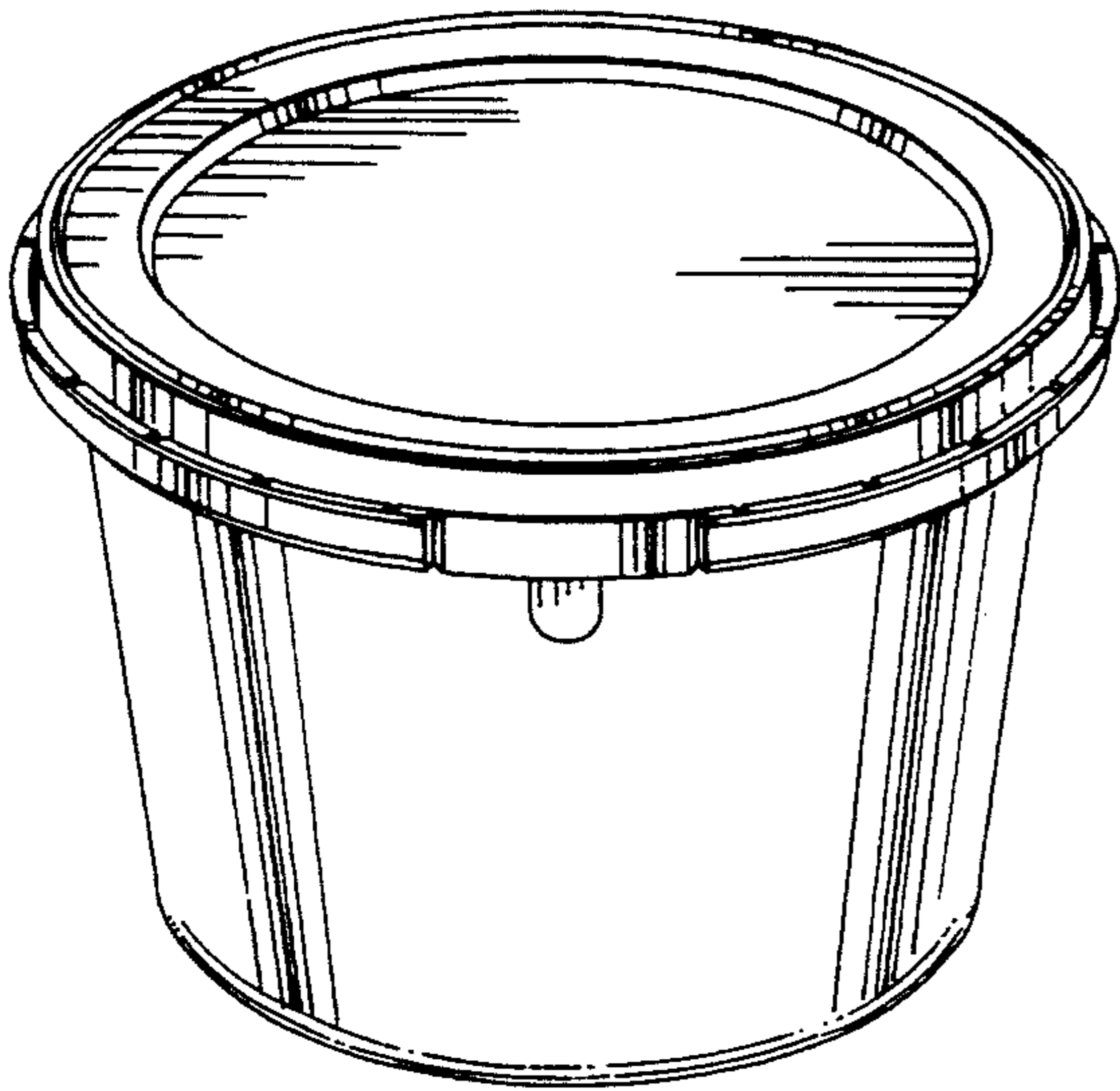


Fig. 1.

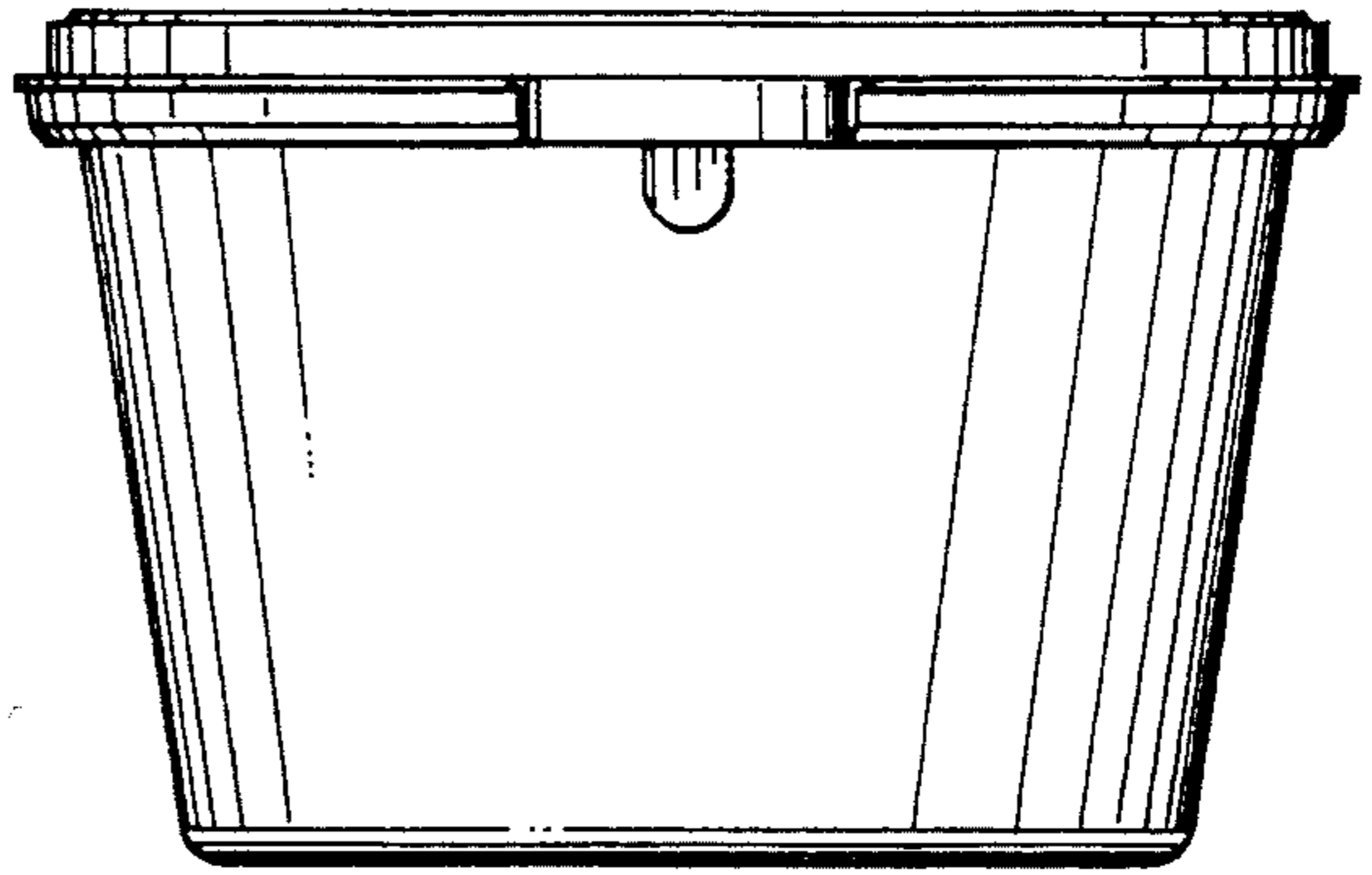


Fig. 2.

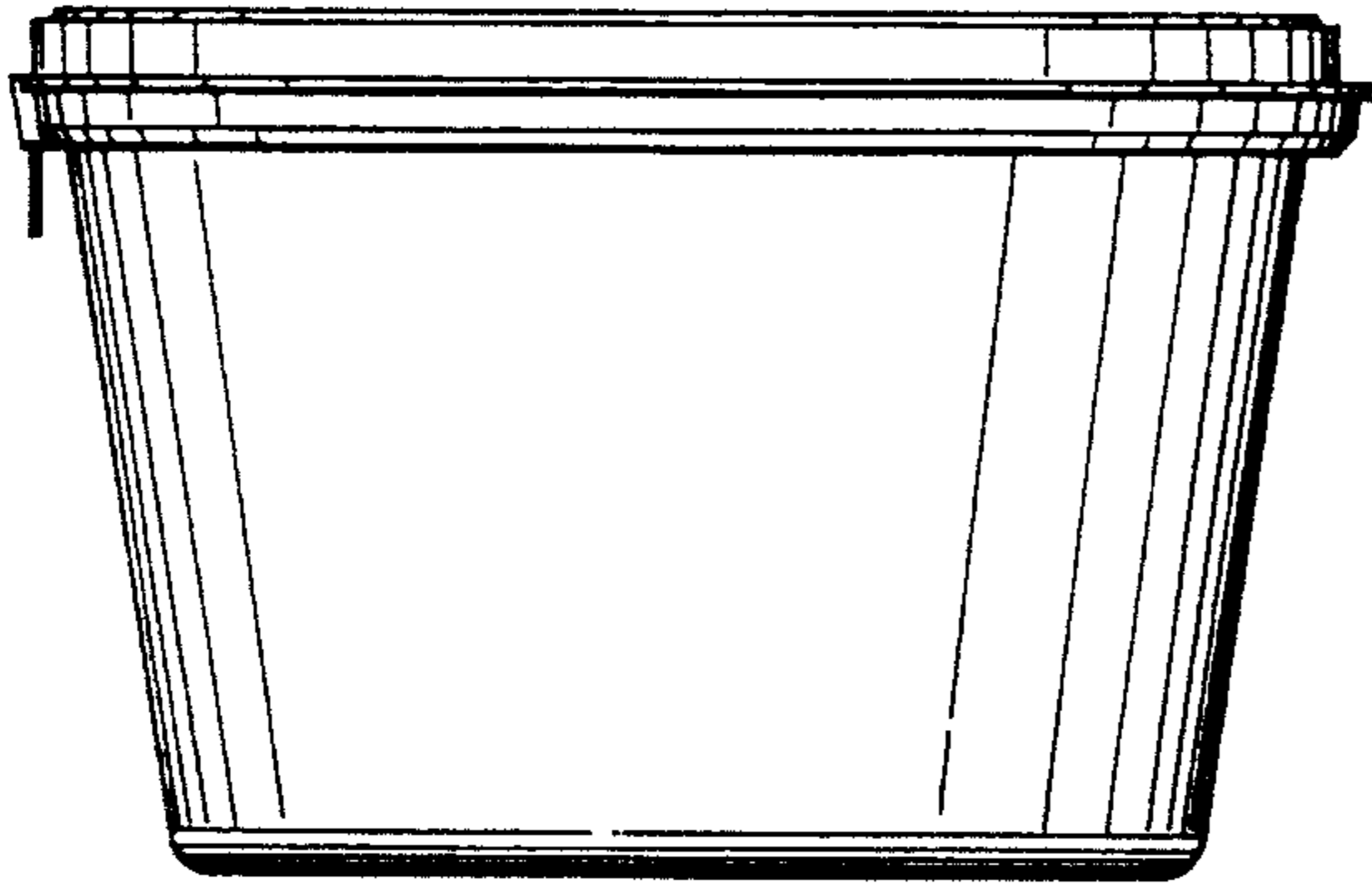


Fig. 3.

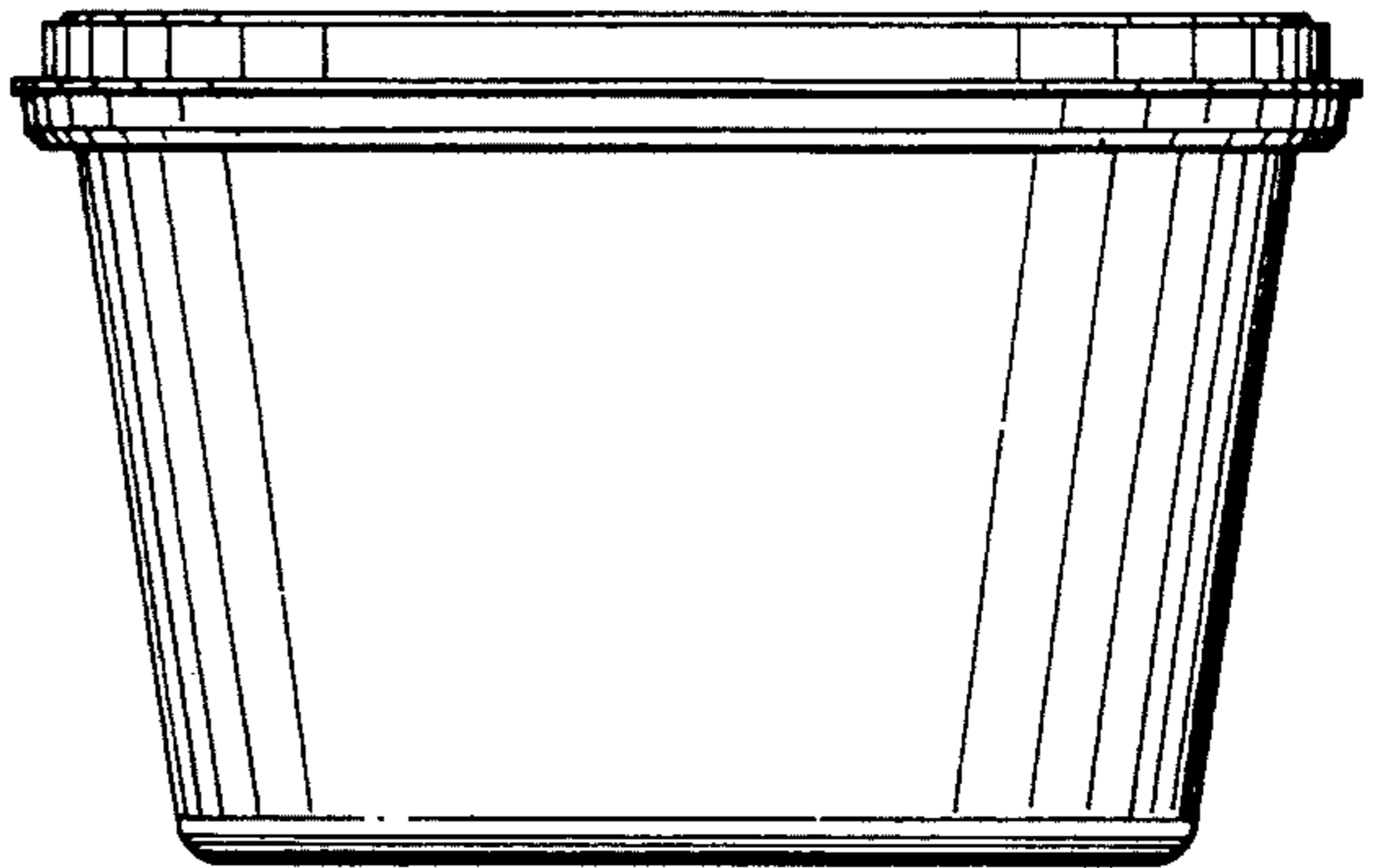


Fig. 4.

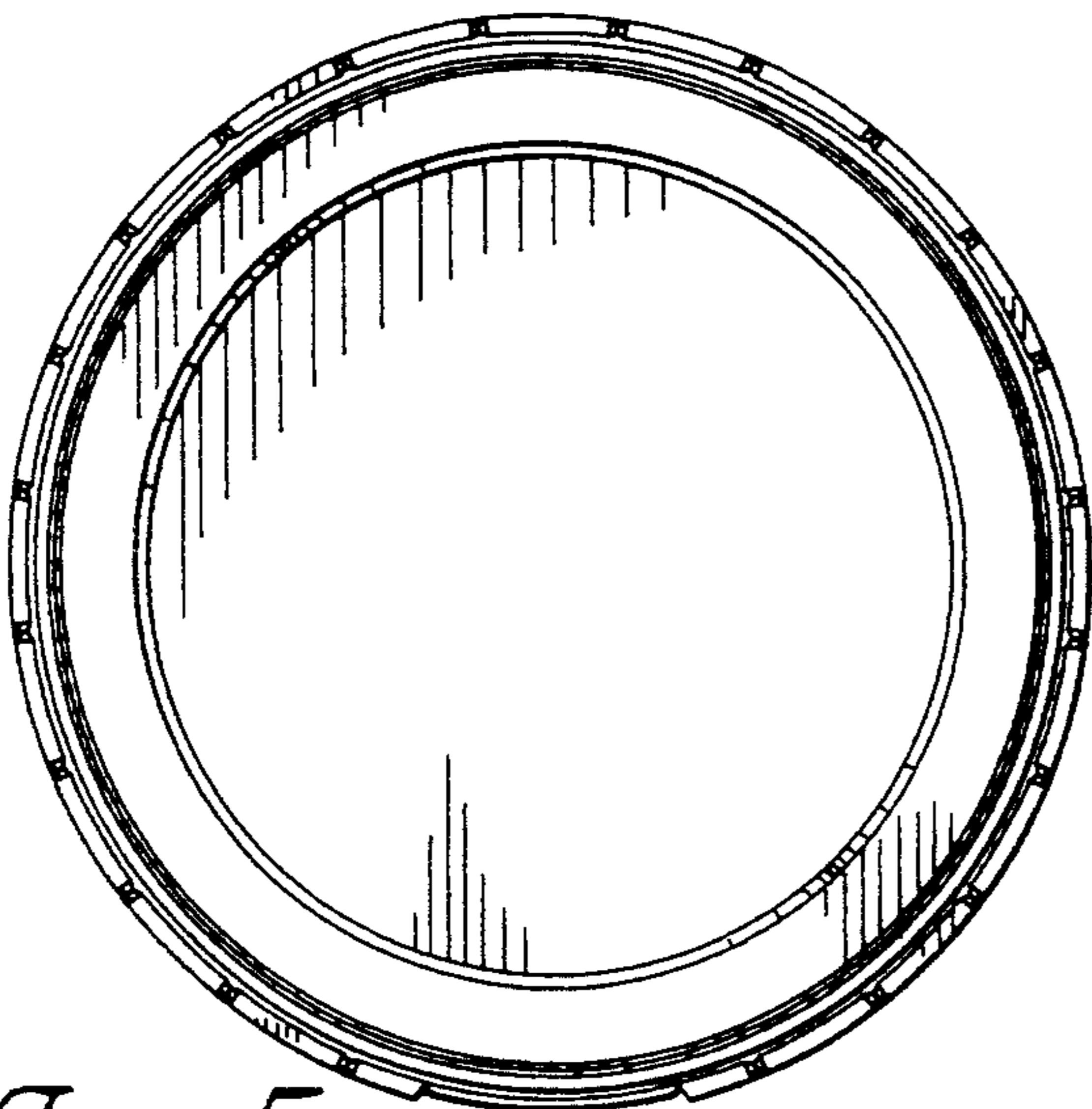


Fig. 5.

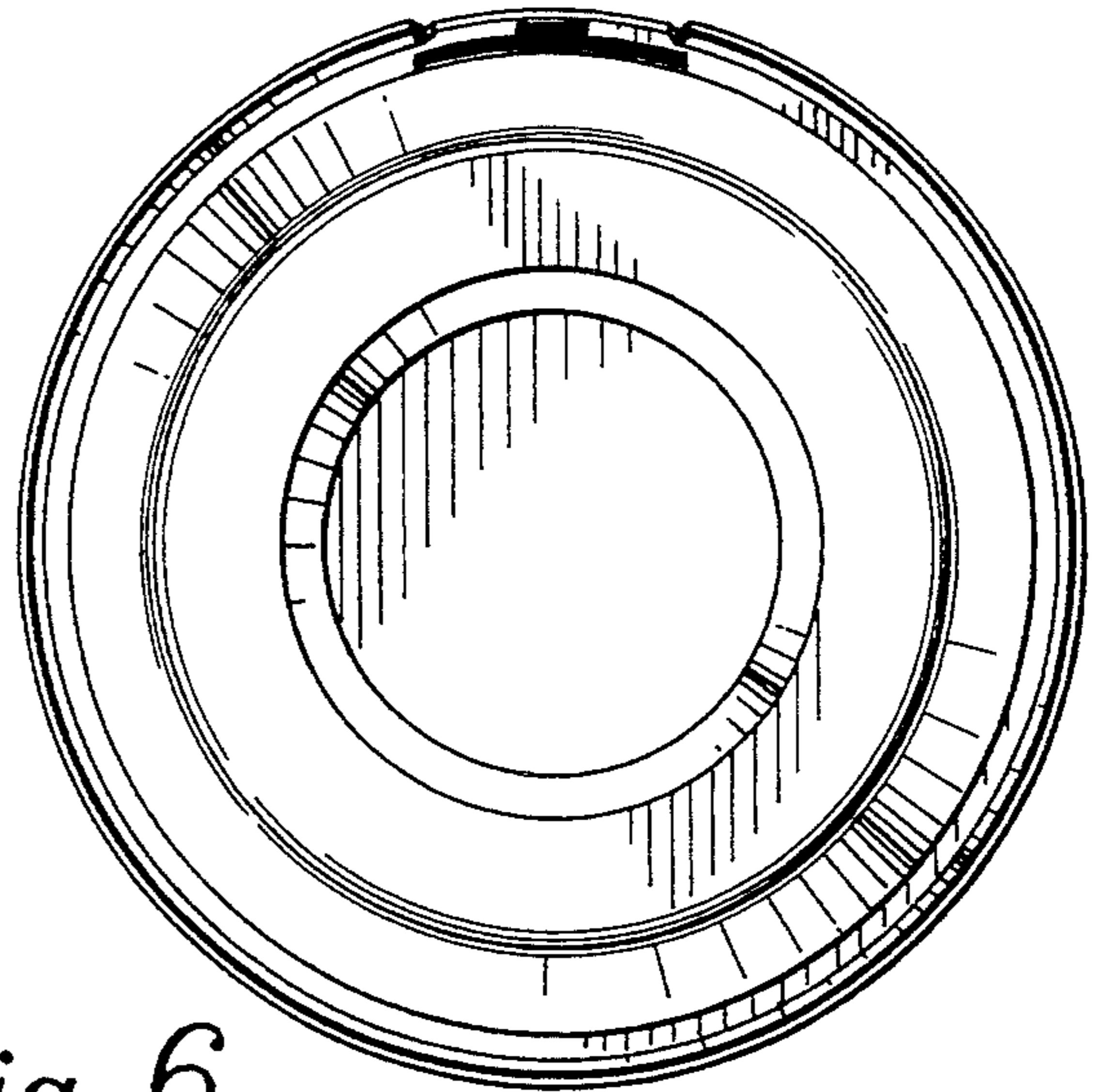


Fig. 6.

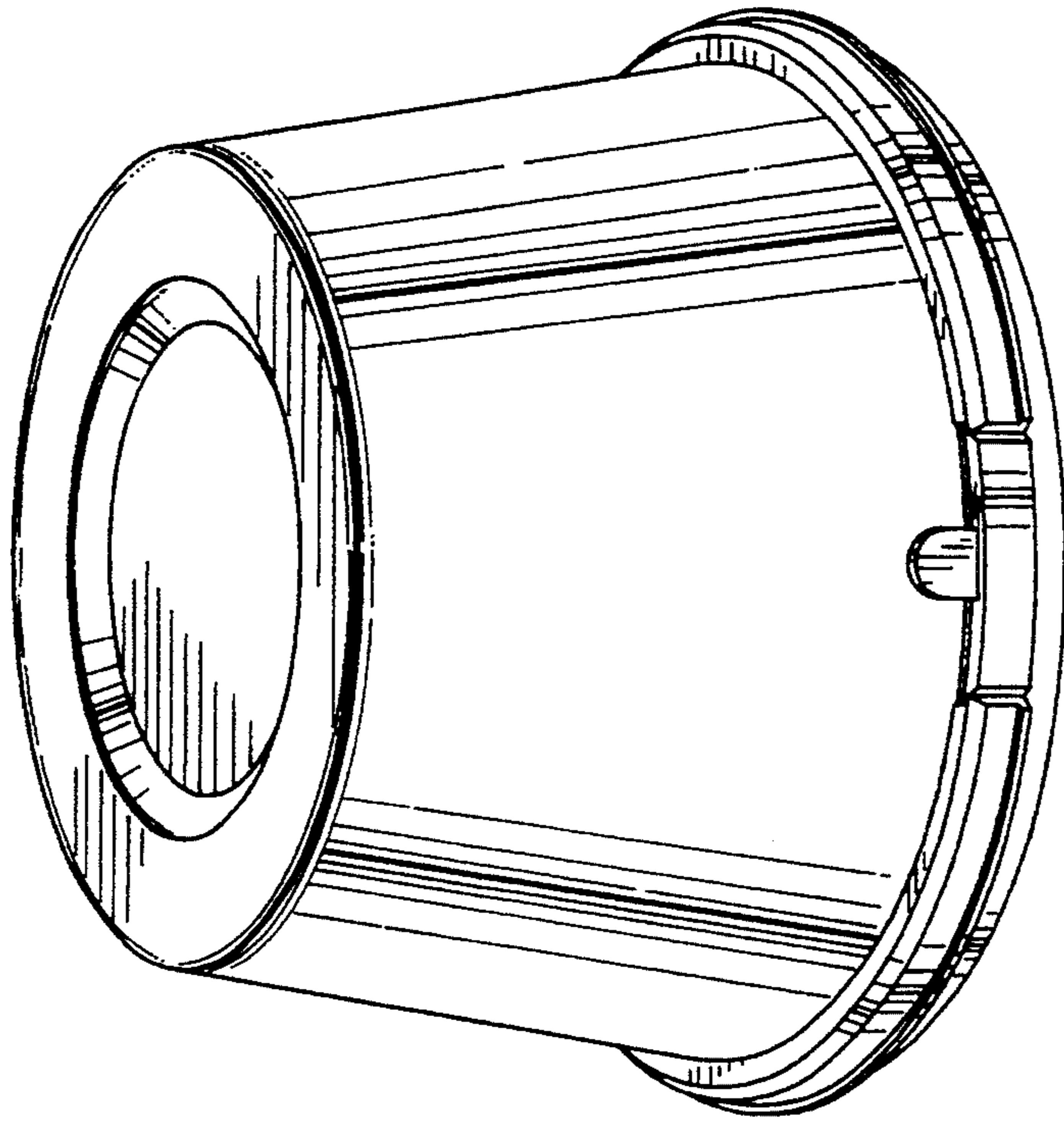


Fig. 7.