



US00D350066S

United States Patent [19]

Silva et al.

[11] Patent Number: **Des. 350,066**

[45] Date of Patent: **** Aug. 30, 1994**

[54] **OIL BOTTLE**

[76] Inventors: **Juan F. Silva; Juana E. Silva**, both of 7913 6th St., Downey, Calif. 90242

[**] Term: **14 Years**

[21] Appl. No.: **5,134**

[22] Filed: **Feb. 24, 1993**

[52] U.S. Cl. **D9/308; D21/78**

[58] Field of Search **D9/308, 414; 229/8; 446/470; 206/457; D21/76, 78**

[56] **References Cited**

U.S. PATENT DOCUMENTS

- D. 202,073 8/1965 Douglas D9/308
- D. 202,934 11/1965 Douglas D9/308
- D. 203,418 1/1966 Douglas D9/308

- D. 317,256 6/1991 Samuels D9/307 X
- 4,055,250 10/1977 Mayhew 229/8 X
- 4,646,959 3/1987 Sheffer 206/457 X

Primary Examiner—Bernard Ansher

Assistant Examiner—M. Siegel

[57] **CLAIM**

The ornamental design for a oil bottle, as shown and described.

DESCRIPTION

FIG. 1 is a front elevational view of the oil bottle showing my new design;
 FIG. 2 is a rear elevational view thereof;
 FIG. 3 is a left side elevational view thereof;
 FIG. 4 is a right side elevational view thereof;
 FIG. 5 is a top plan view thereof; and,
 FIG. 6 is a bottom plan view thereof.

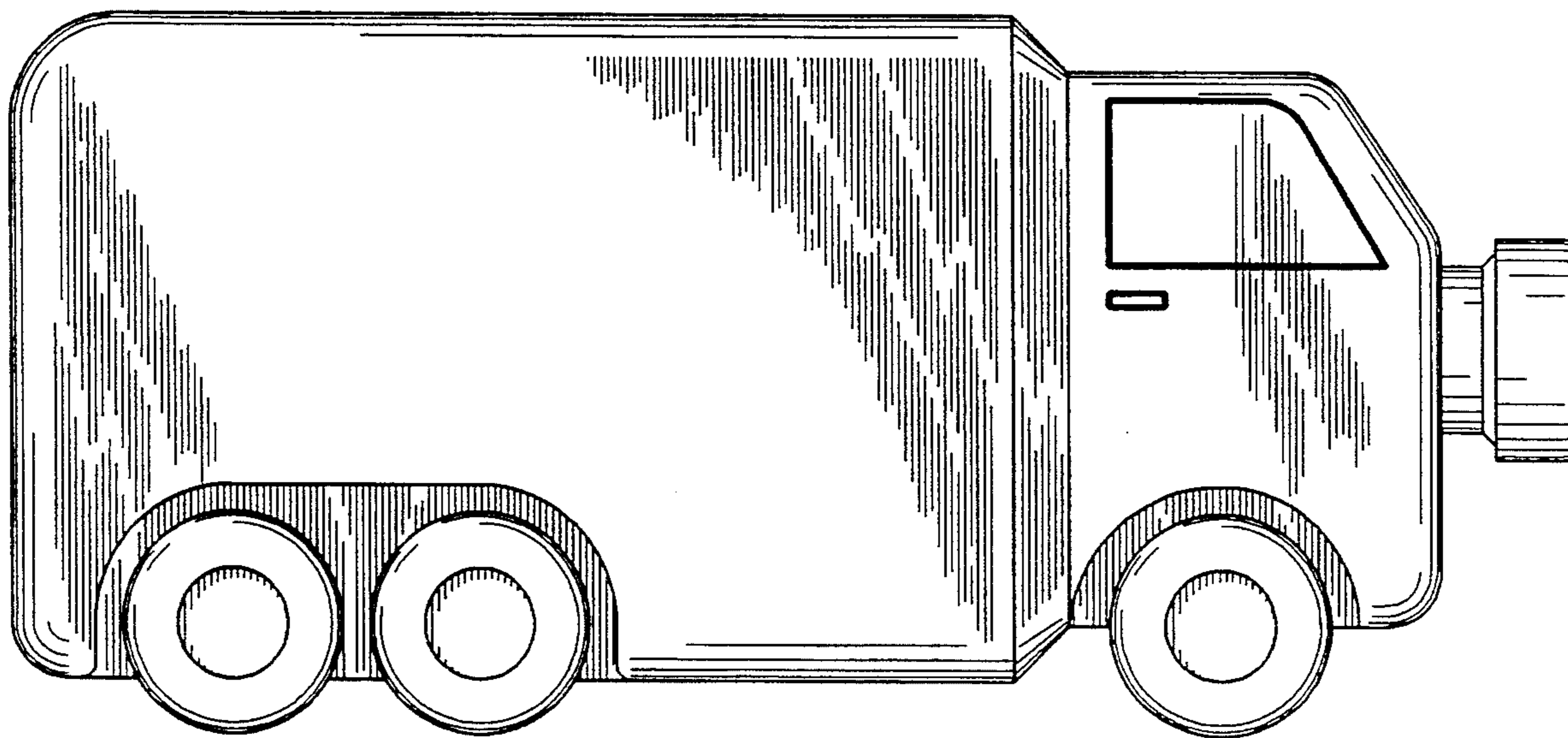


FIG. 1

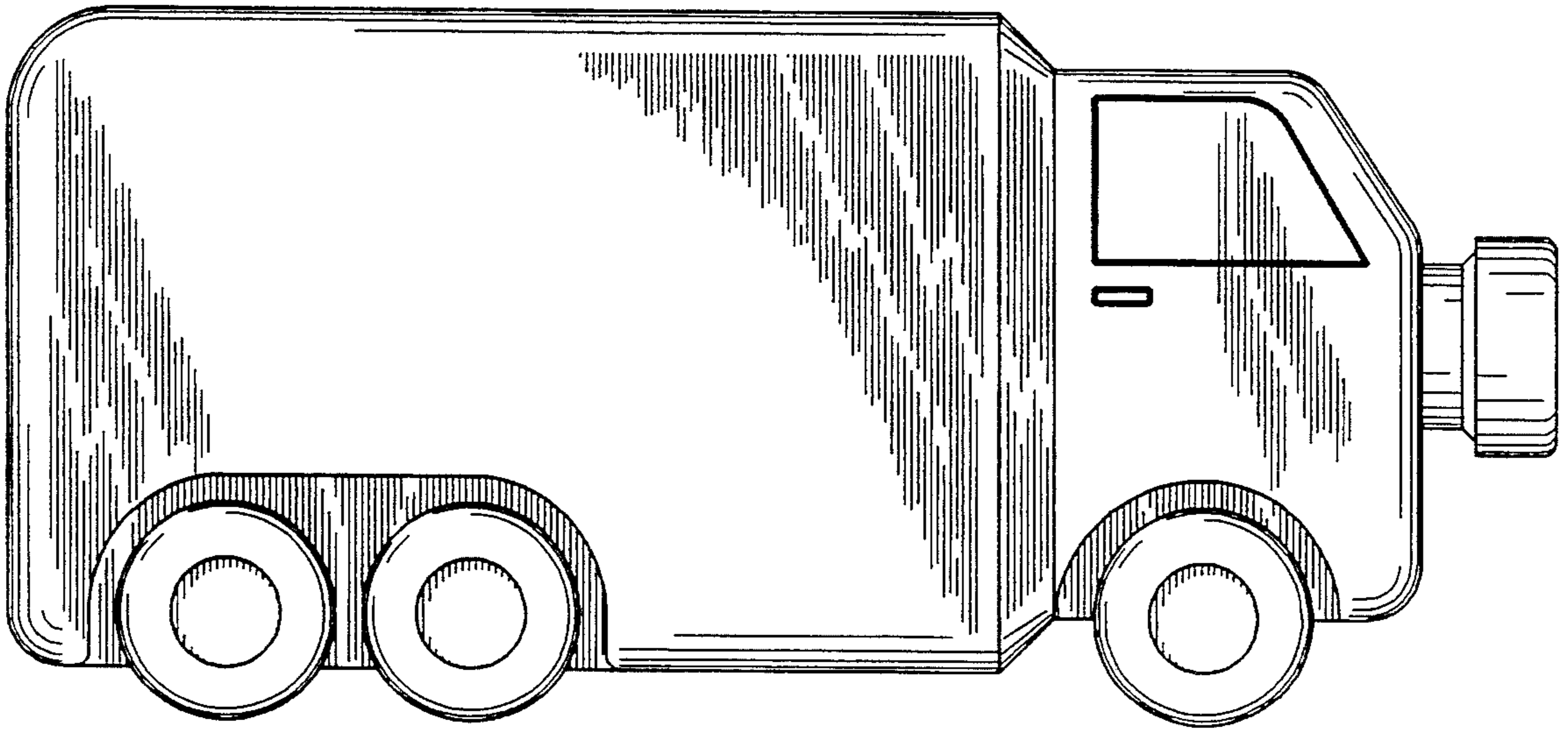


FIG. 2

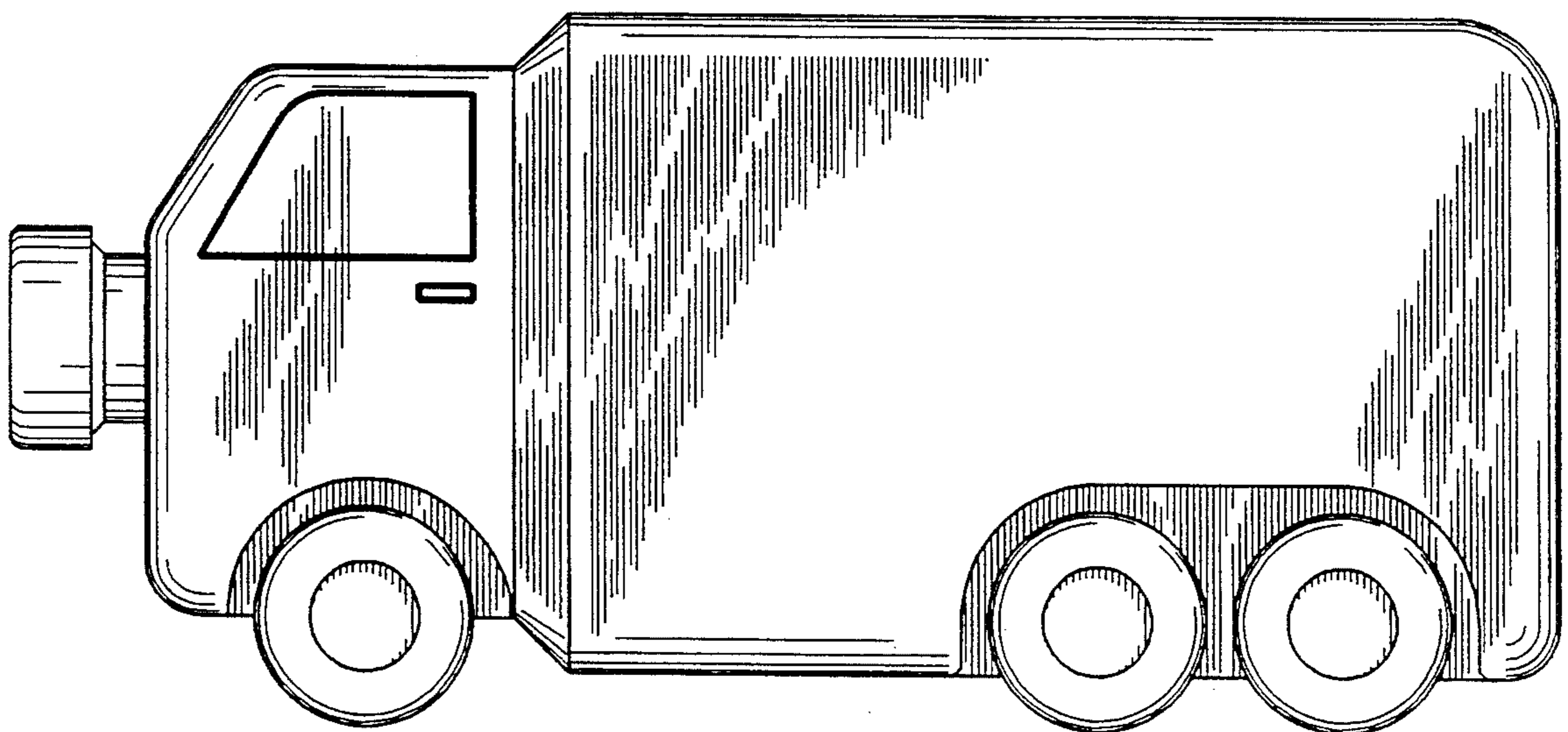


FIG. 3

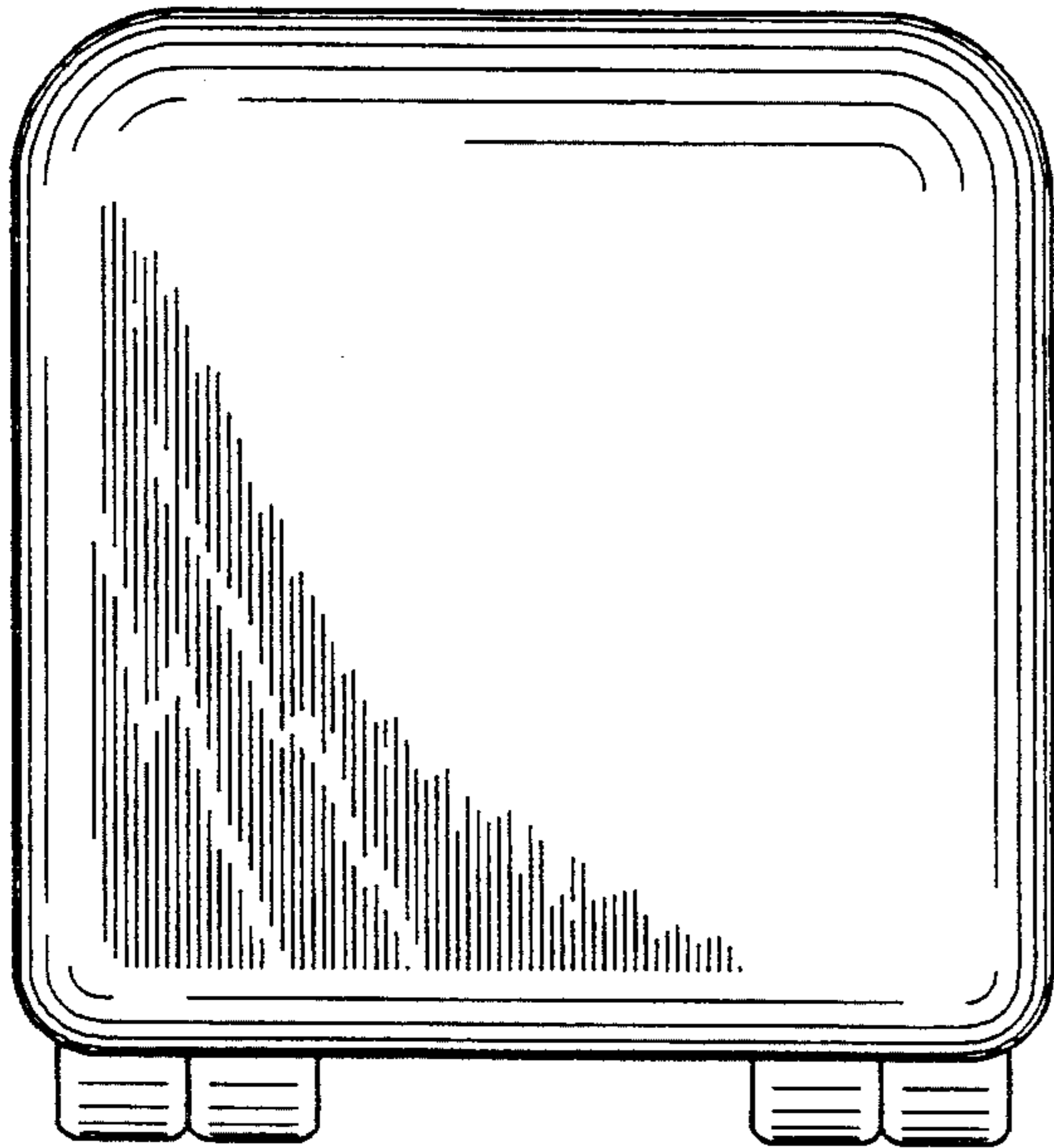


FIG. 4

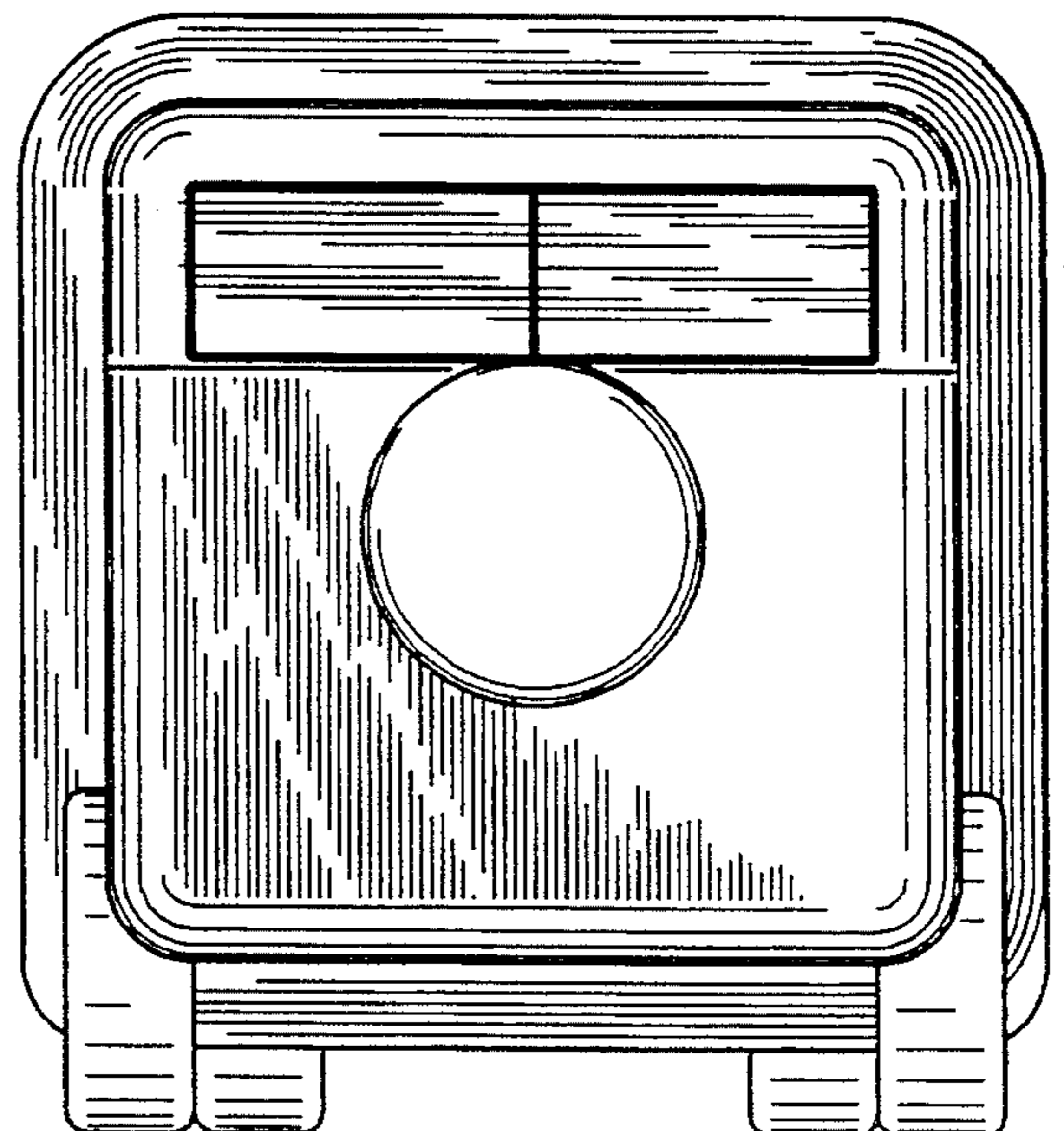


FIG. 5

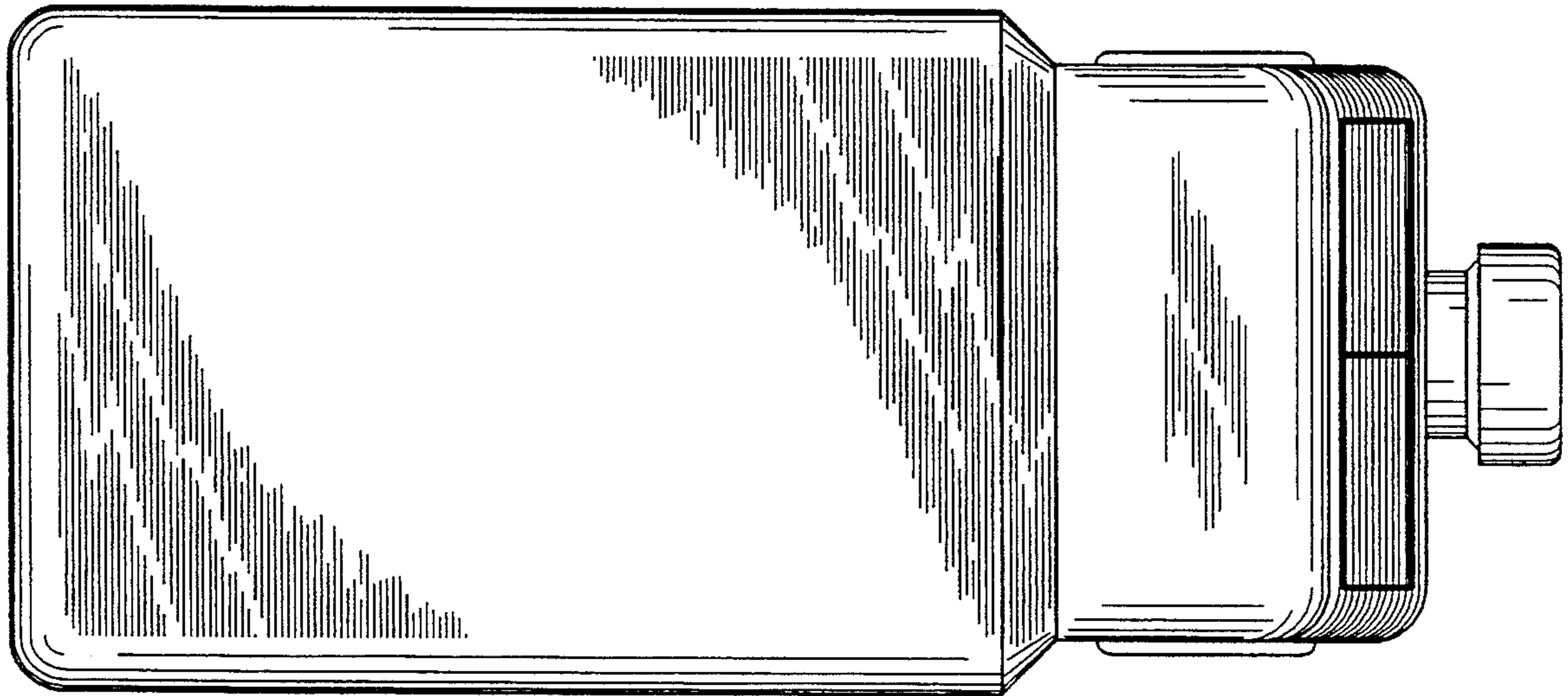


FIG. 6

