



US00D350064S

United States Patent [19]
Crawley

[11] **Patent Number: Des. 350,064**
[45] **Date of Patent: ** Aug. 30, 1994**

- [54] **MUNTIN END CONNECTOR**
- [75] **Inventor: Stephen D. Crawley**, Bloomington, Minn.
- [73] **Assignee: Lake Country Sales, Inc.**, Elysian, Minn.
- [**] **Term: 14 Years**
- [21] **Appl. No.: 1,325**
- [22] **Filed: Nov. 10, 1992**
- [52] **U.S. Cl. D8/382; D8/400**
- [58] **Field of Search D8/349, 382, 400; 52/314, 456**

- [56] **References Cited**
- U.S. PATENT DOCUMENTS**
- 5,099,626 3/1992 Seeger 52/314

OTHER PUBLICATIONS

Ashland Thermo-Plastic Hardware for Prime and Replacement Windows, Ashland Products Company, 10910 S. Langley Ave., Chicago, Ill. 60628 (PRW 876-5M) undated.

Jim Walter Window Components, Glass Spacers & Muntins, Products for the Sealed Insulated Glass Indus-

try, P.O. Box 22601, 1500 North Dale Mabry, Tampa, Fla. 33622 undated.

Allmetal, Laser-welded Air Spacer, LPD (Low Profile Delta) Air Spacer, Corner Keys, Decorative Grillwork, Screen Goods, Bulletin CC-90 undated.

Hygrade, Where Better I.G. Units Begin. Muntins, Hygrade Metal Moulding Manufacturing Corp., 540 Smith Street, Farmingdale, N.Y. 11735 undated.

Primary Examiner—Wallace R. Burke
Assistant Examiner—H. Baynham
Attorney, Agent, or Firm—Peterson, Wicks, Nemer & Kamrath

[57] **CLAIM**

The ornamental design for a muntin end connector, as shown and described.

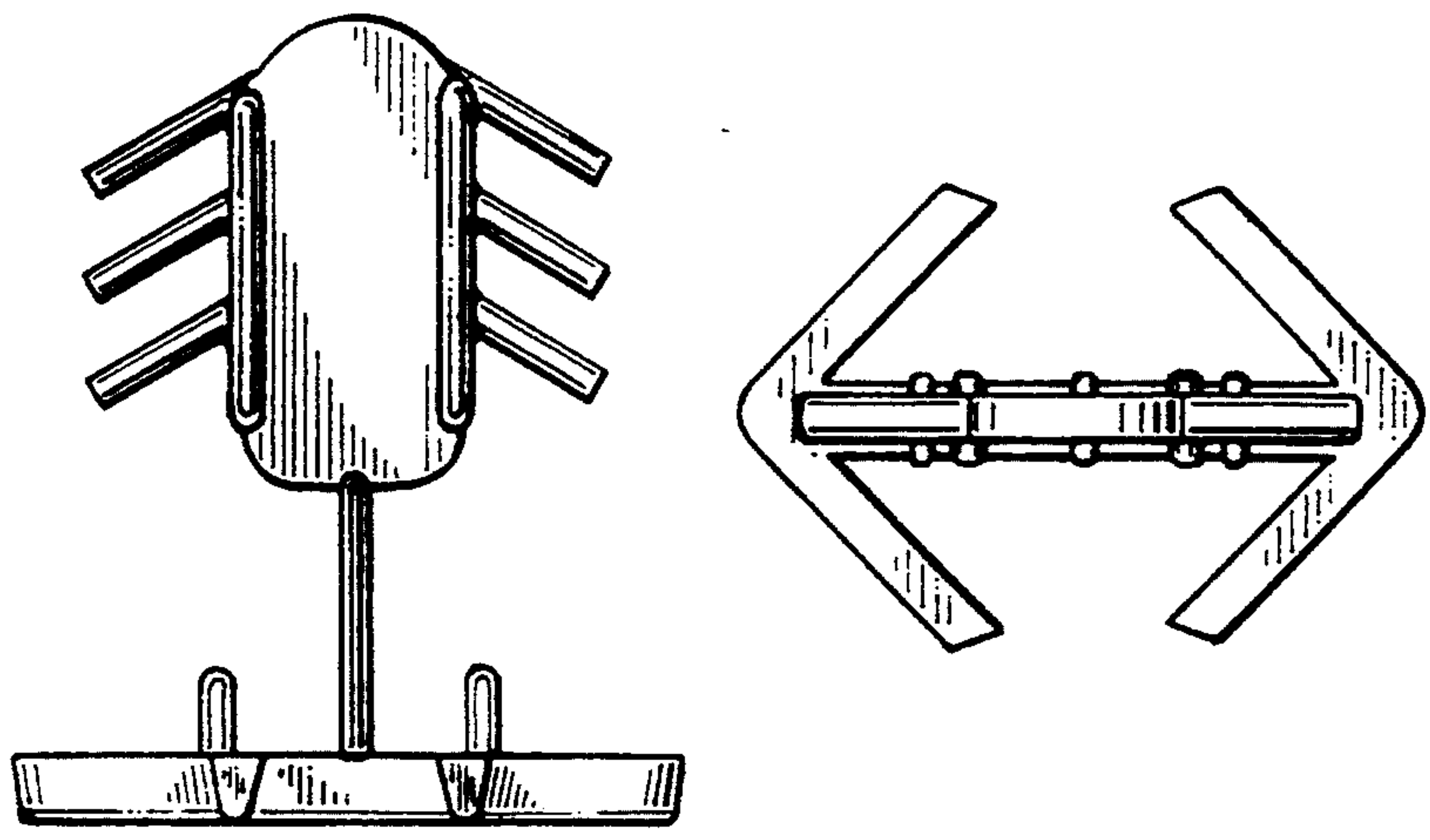
DESCRIPTION

FIG. 1 is a front elevation of a muntin end connector embodying my new design, with the rear elevation being a mirror image thereof;

FIG. 2 is an end elevation thereof, with the opposite end elevation being a mirror image thereof;

FIG. 3 is a top plan thereof; and,

FIG. 4 is a bottom plan thereof.



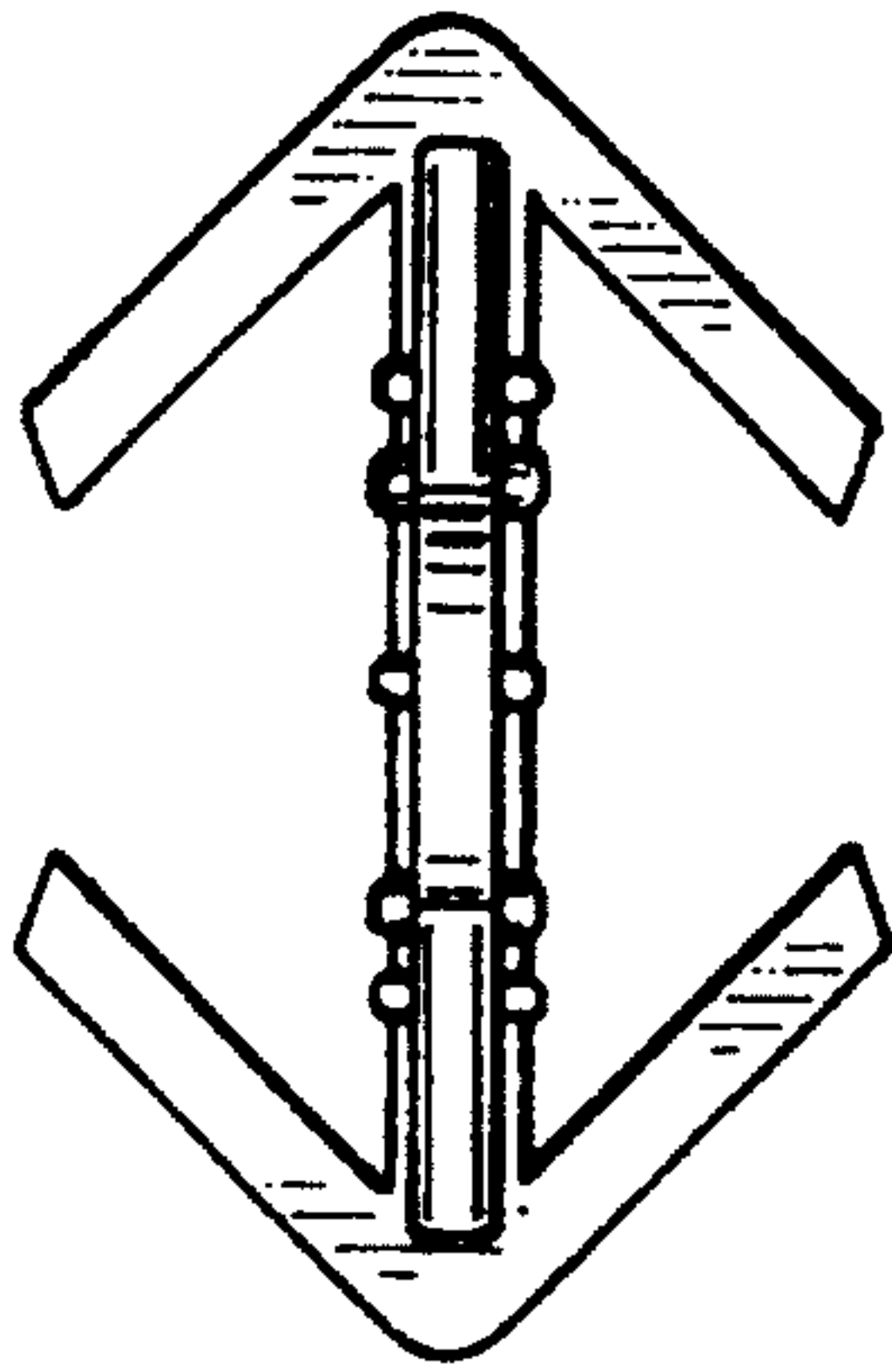


Fig. 3

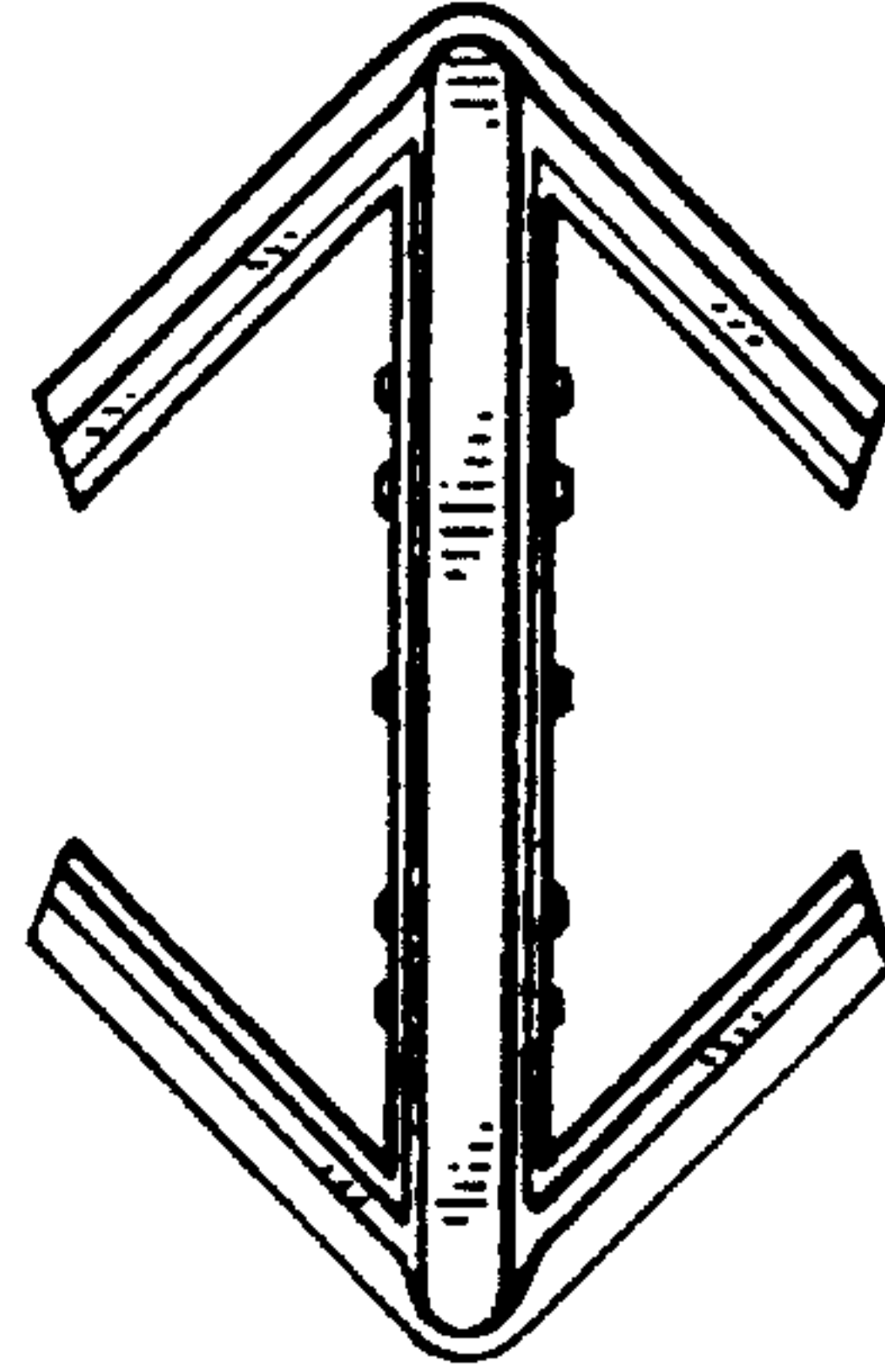


Fig. 4

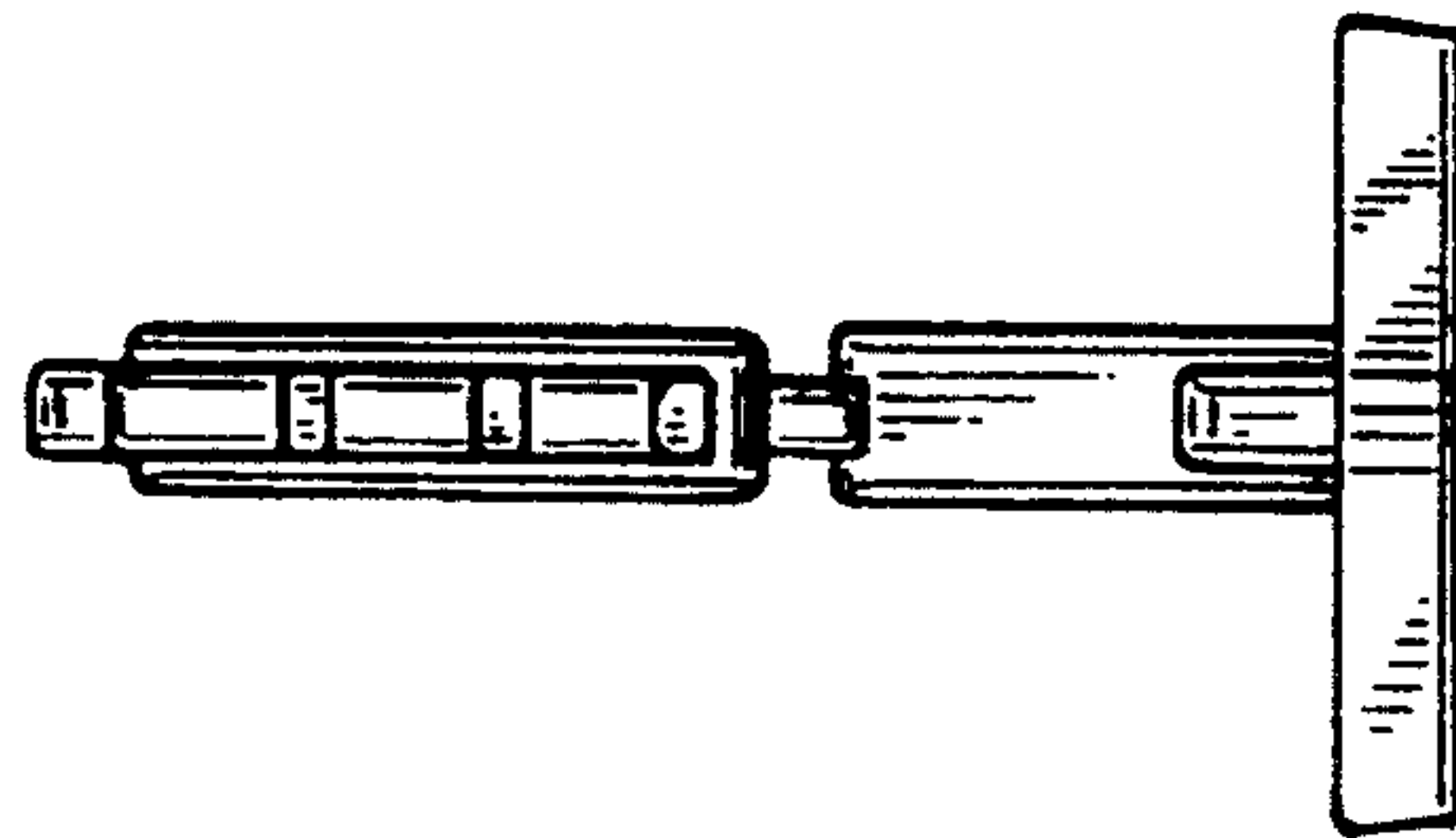


Fig. 2

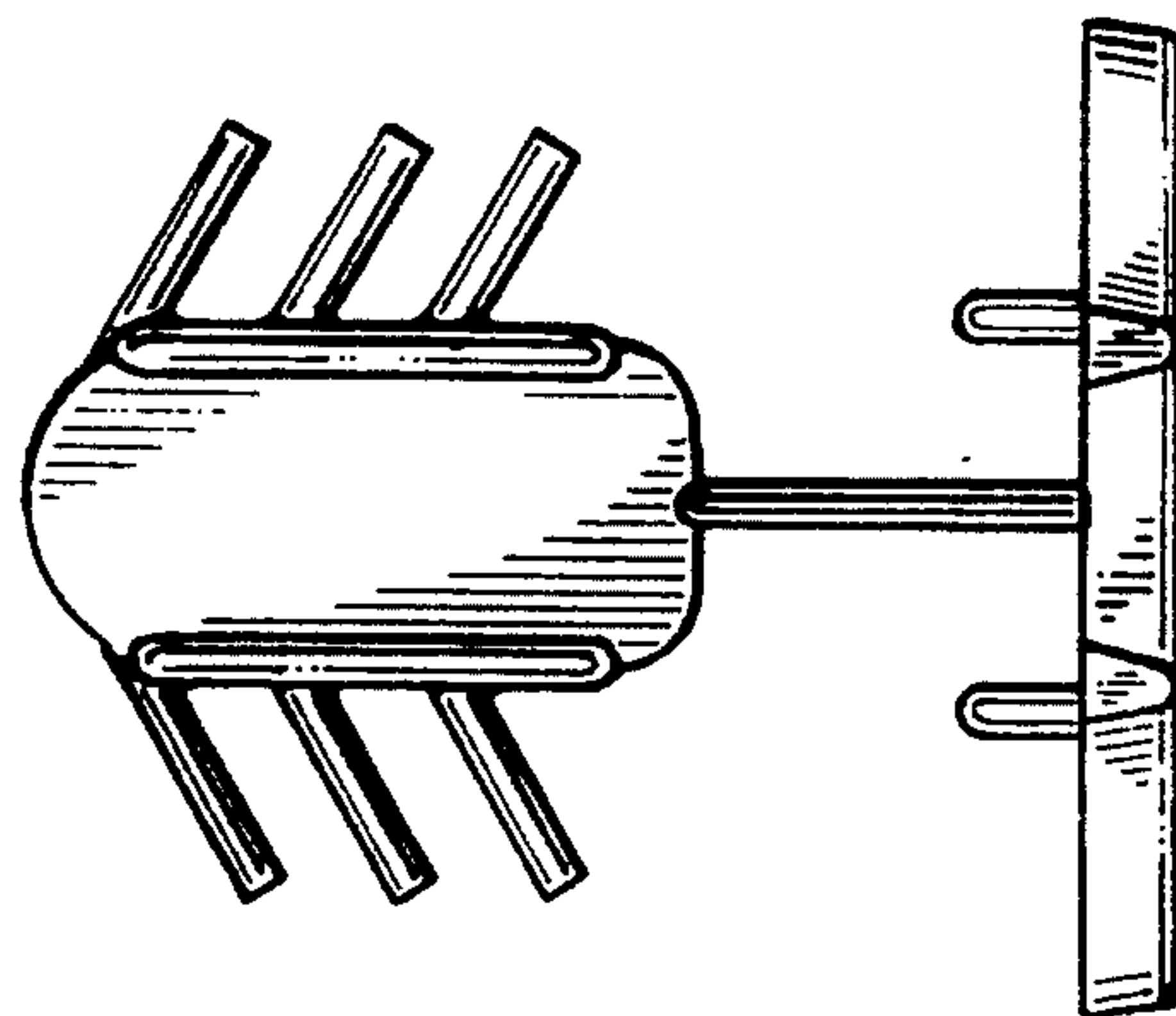


Fig. 1