



US00D350055S

United States Patent [19]

[11] Patent Number: **Des. 350,055**

Few

[45] Date of Patent: **** Aug. 30, 1994**

- [54] **GLAD HAND SECURITY LOCK**
- [75] Inventor: **Jeffrey P. Few**, West Hills, Calif.
- [73] Assignee: **Norco Industries, Inc.**, Compton, Calif.
- [**] Term: **14 Years**
- [21] Appl. No.: **8,086**
- [22] Filed: **May 10, 1993**
- [52] U.S. Cl. **D8/331**
- [58] Field of Search **D8/330, 331, 343, 346; 70/237, 14, 51, 54, 57, 58158, 266, 169**

Primary Examiner—Brian N. Vinson
Attorney, Agent, or Firm—Fulwider, Patton, Lee & Utecht

[57] **CLAIM**

The ornamental design for a glad hand security lock, as shown and described.

DESCRIPTION

FIG. 1 is a perspective view of a glad hand security lock showing my new design;
 FIG. 2 is a front elevational view thereof in reduced scale;
 FIG. 3 is a rear elevational view thereof in reduced scale;
 FIG. 4 is a top plan view thereof in reduced scale;
 FIG. 5 is a bottom plan view thereof in reduced scale;
 FIG. 6 is a left hand elevational view thereof in reduced scale; and,
 FIG. 7 is a right hand elevational view thereof in reduced scale.

- [56] **References Cited**
- U.S. PATENT DOCUMENTS**
- | | | | |
|------------|---------|------------------|--------|
| D. 334,879 | 4/1993 | Few | D8/331 |
| 4,226,103 | 10/1980 | Strickland | 70/237 |
| 4,325,237 | 4/1982 | Menzie | 70/14 |
| 5,076,077 | 12/1991 | Renne | 70/14 |
| 5,129,243 | 7/1992 | Kassebaum | 70/14 |

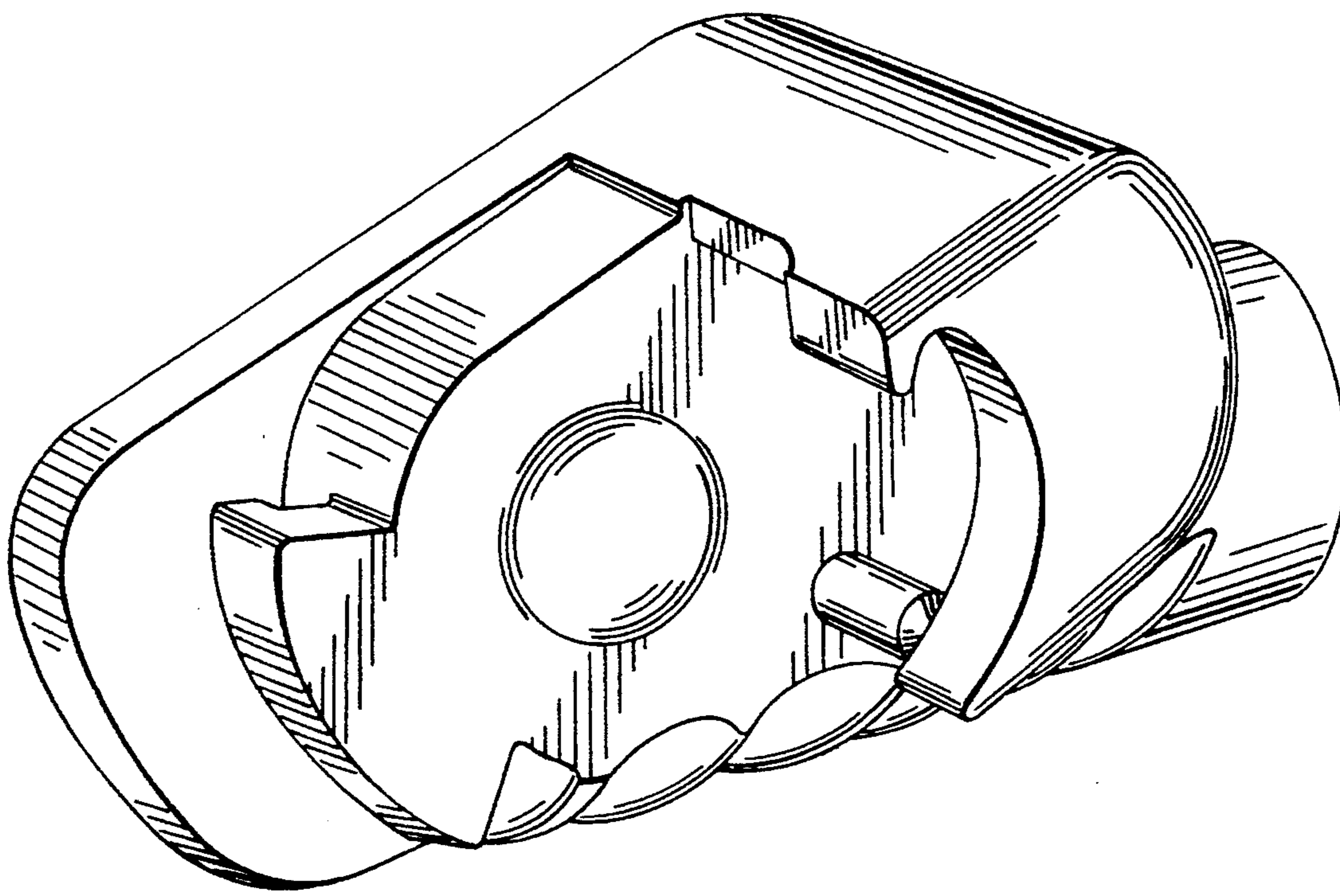


FIG. 1

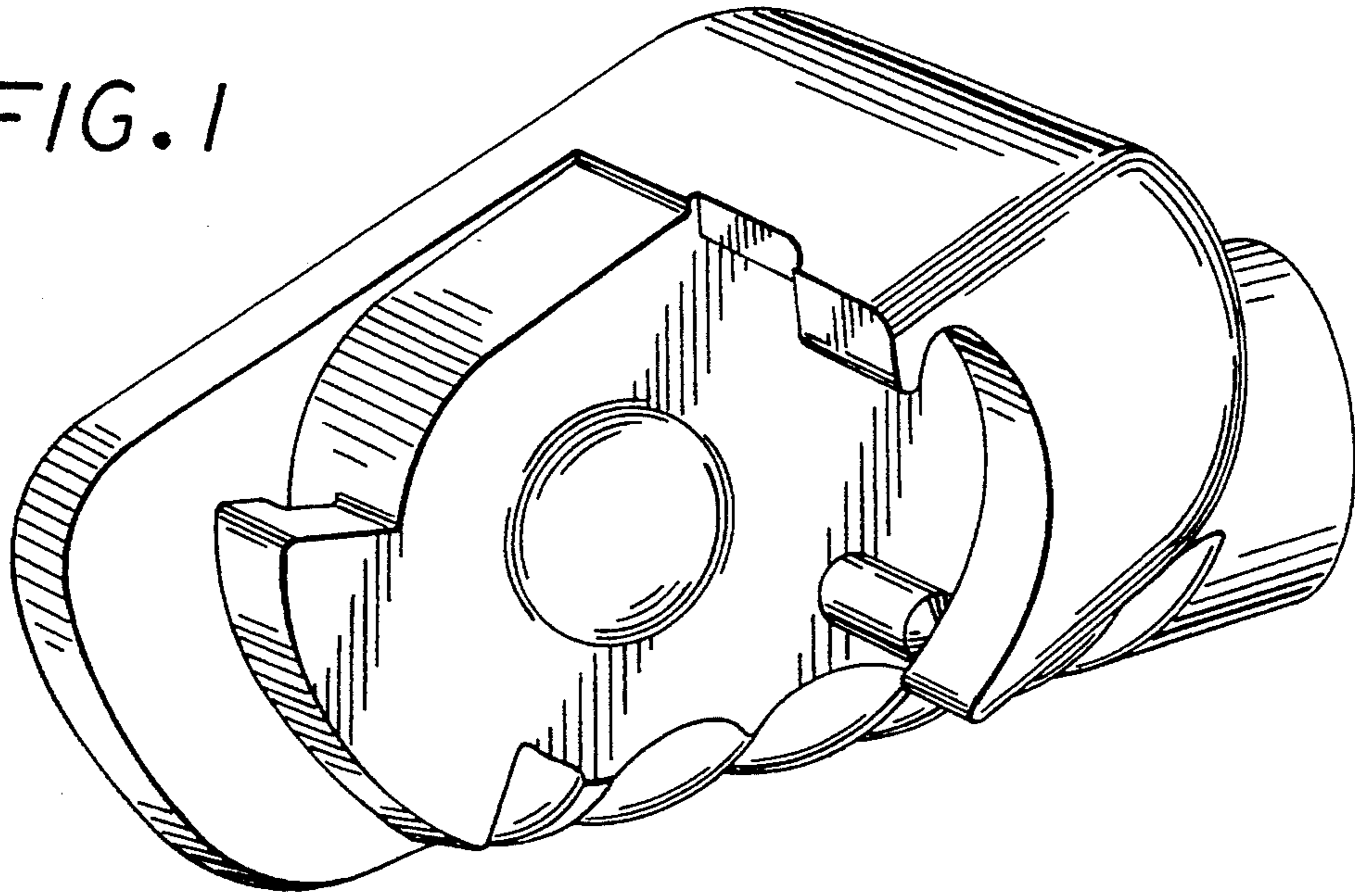


FIG. 2

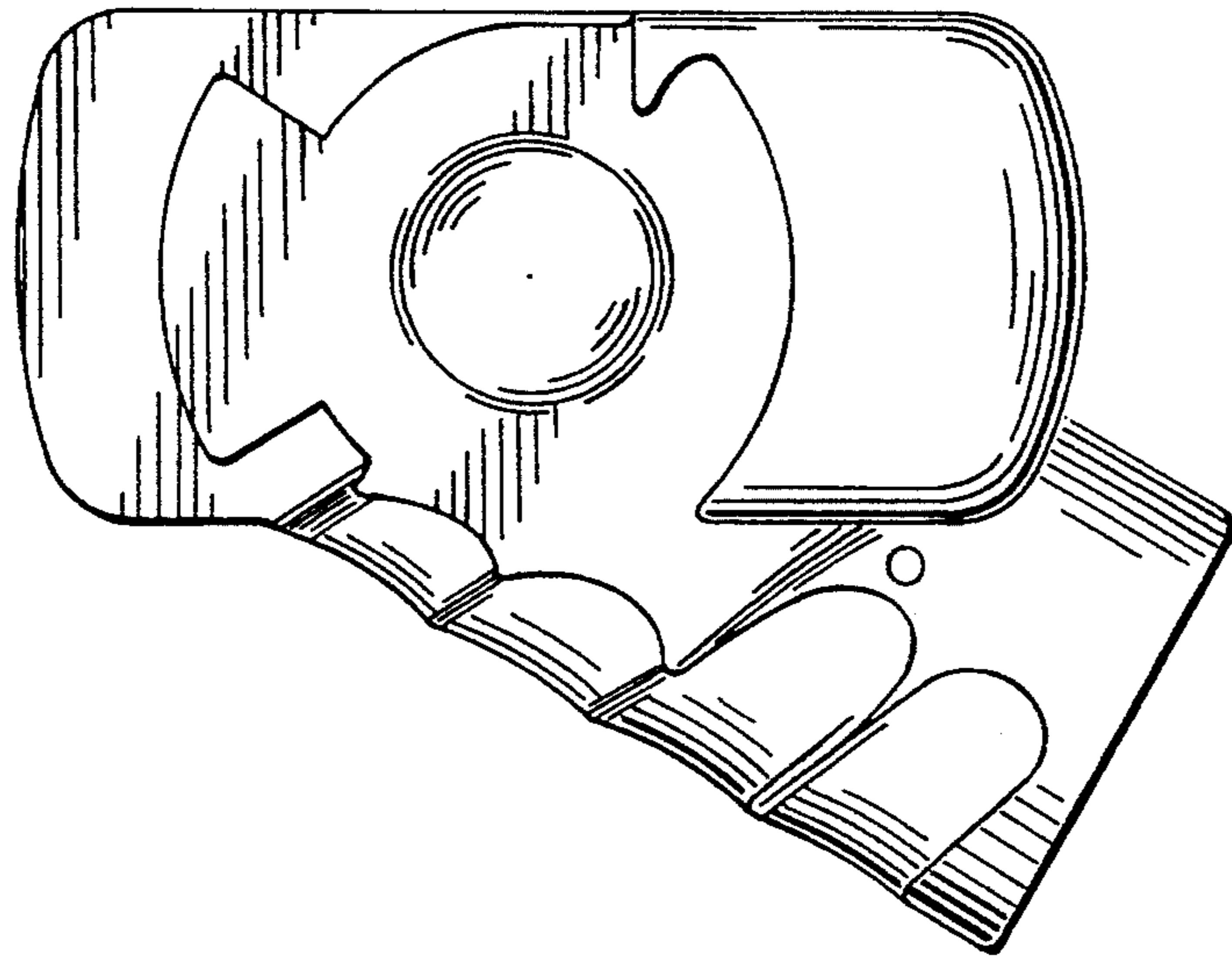


FIG. 3

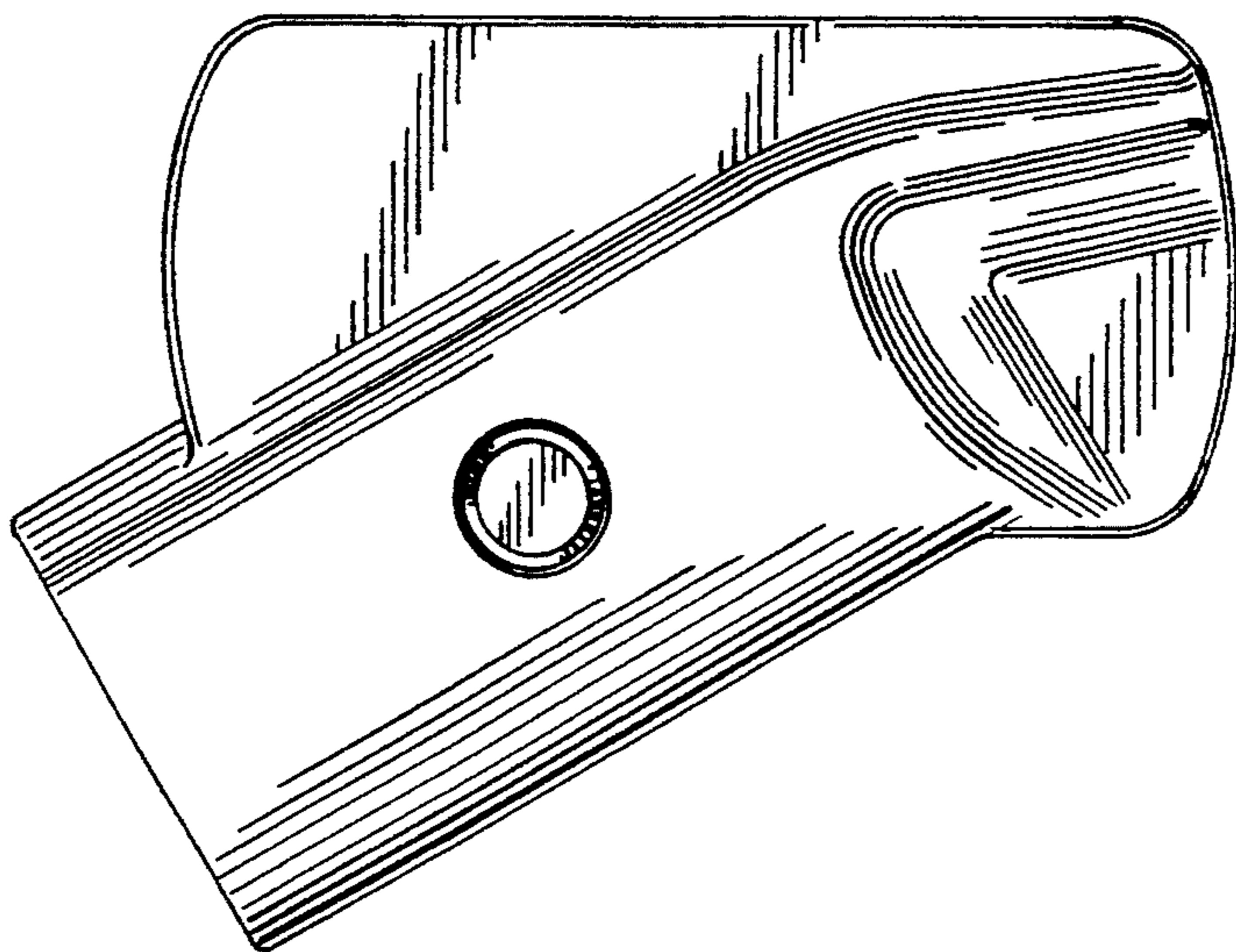


FIG. 4

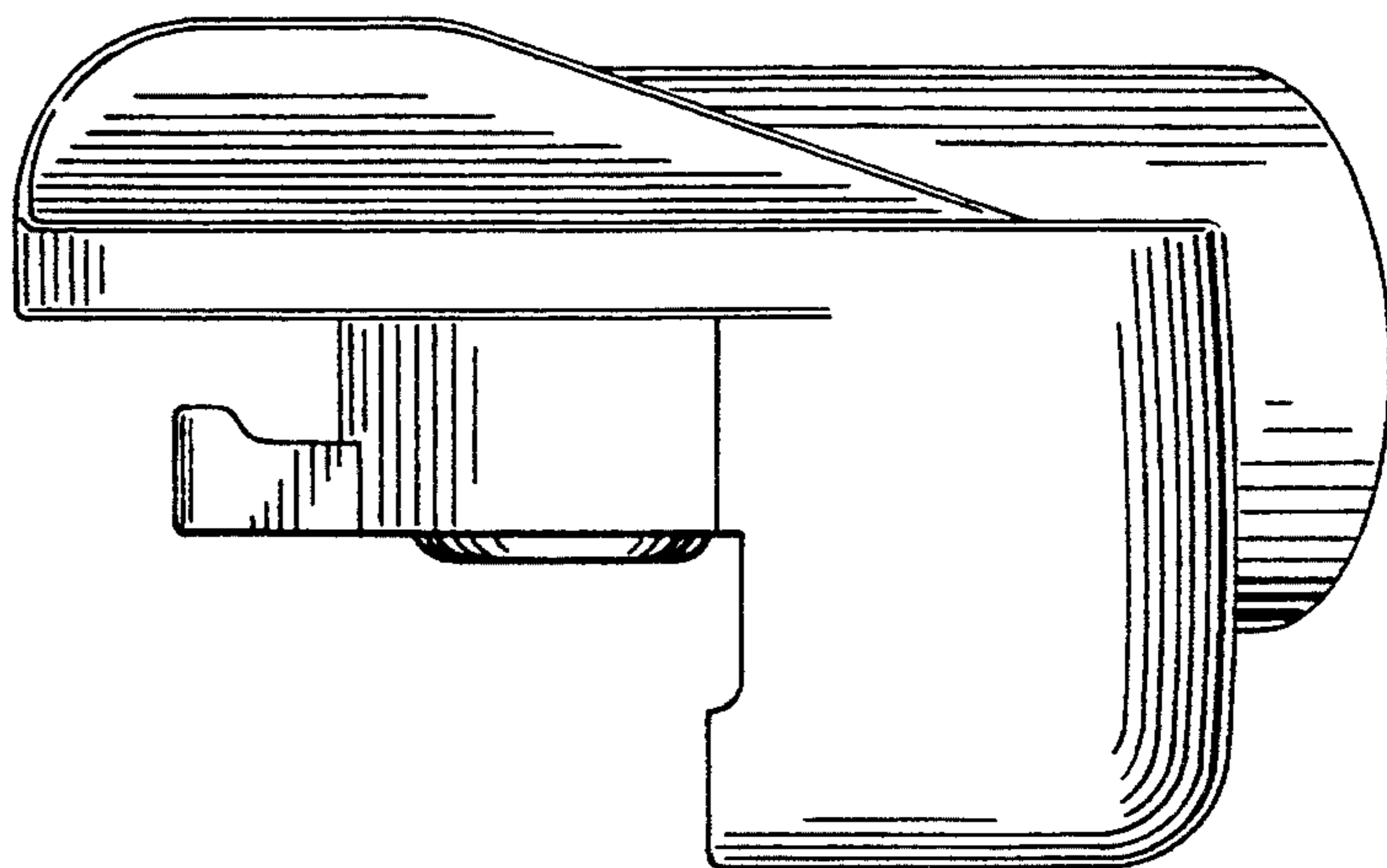


FIG. 5

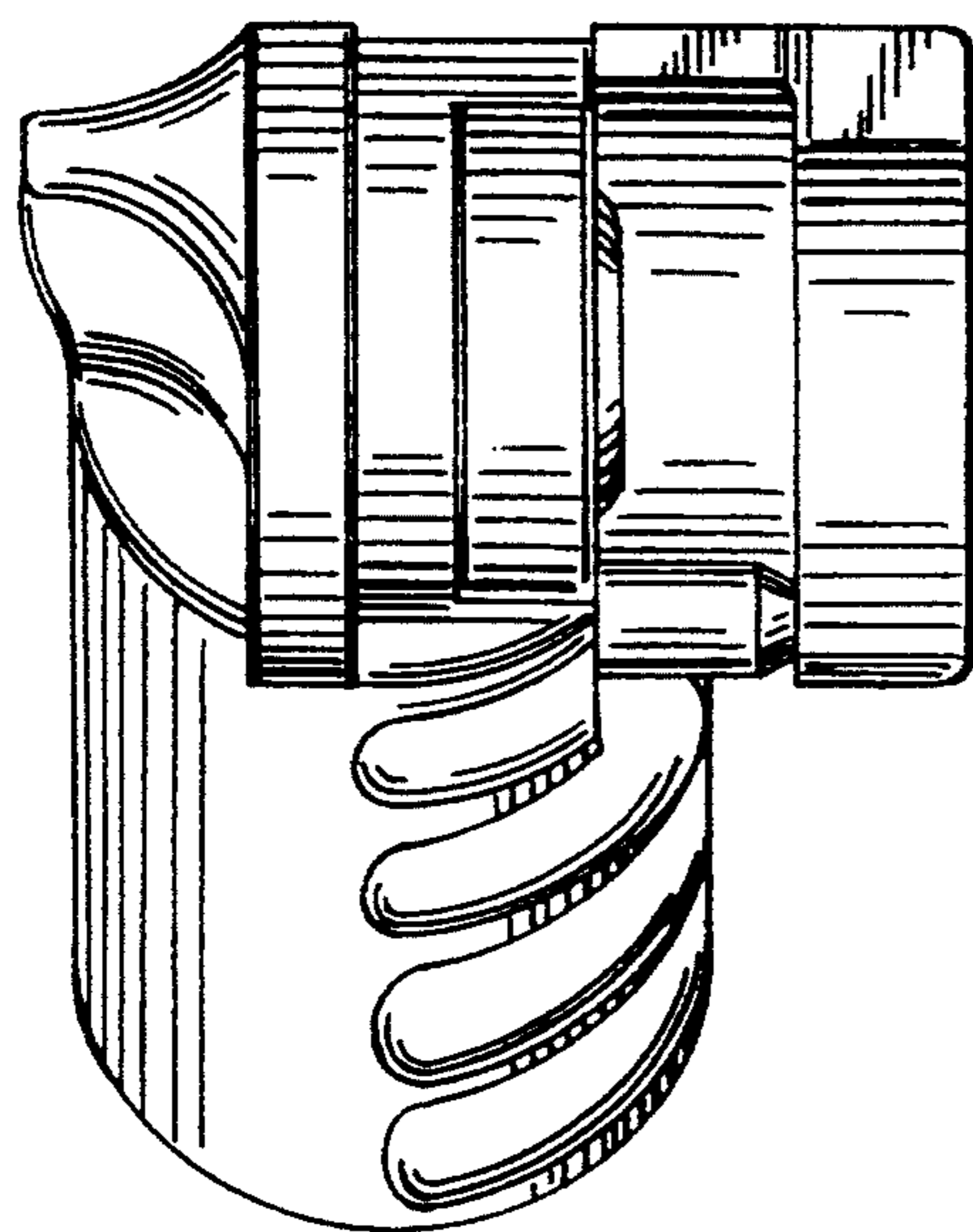
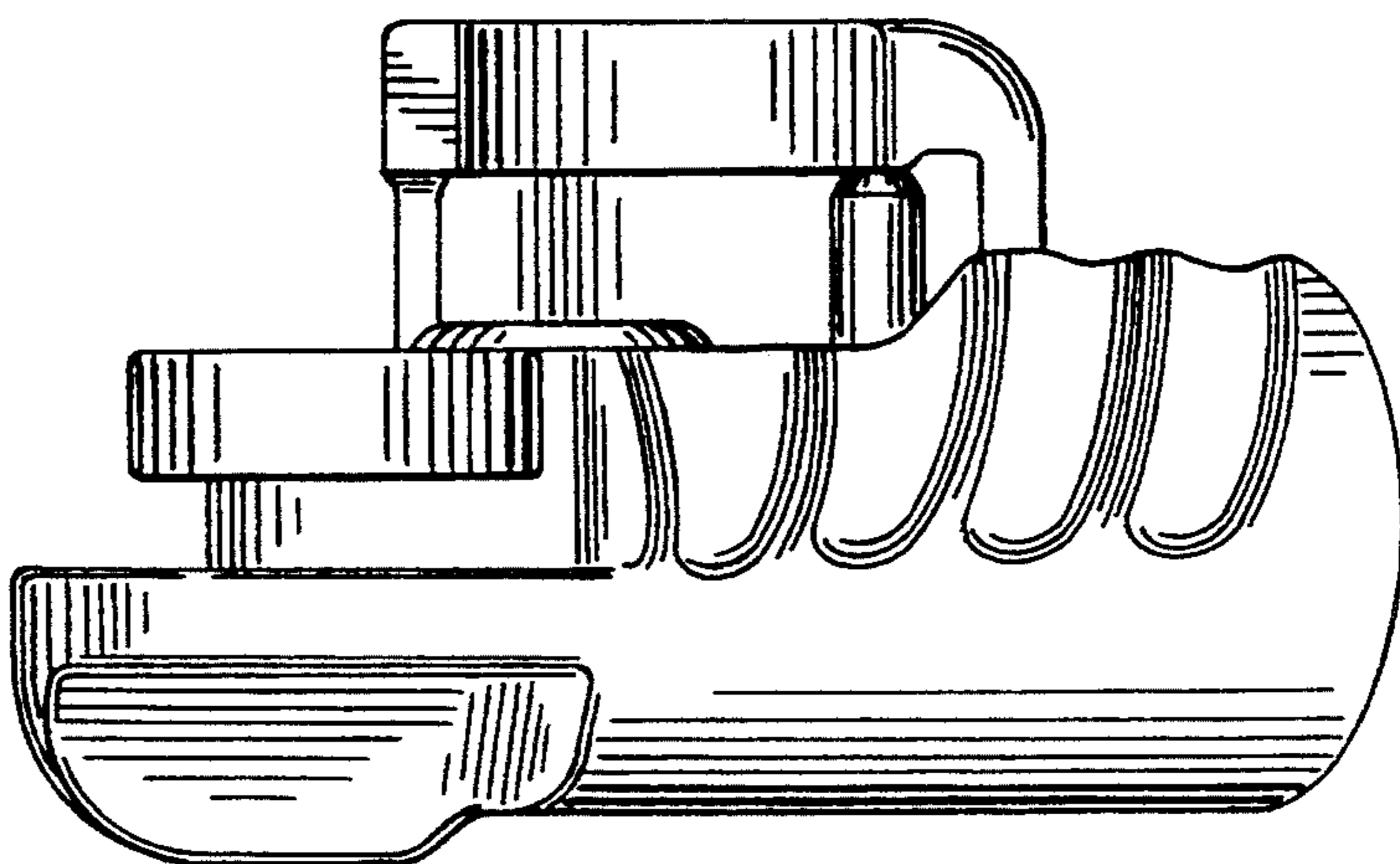


FIG. 6

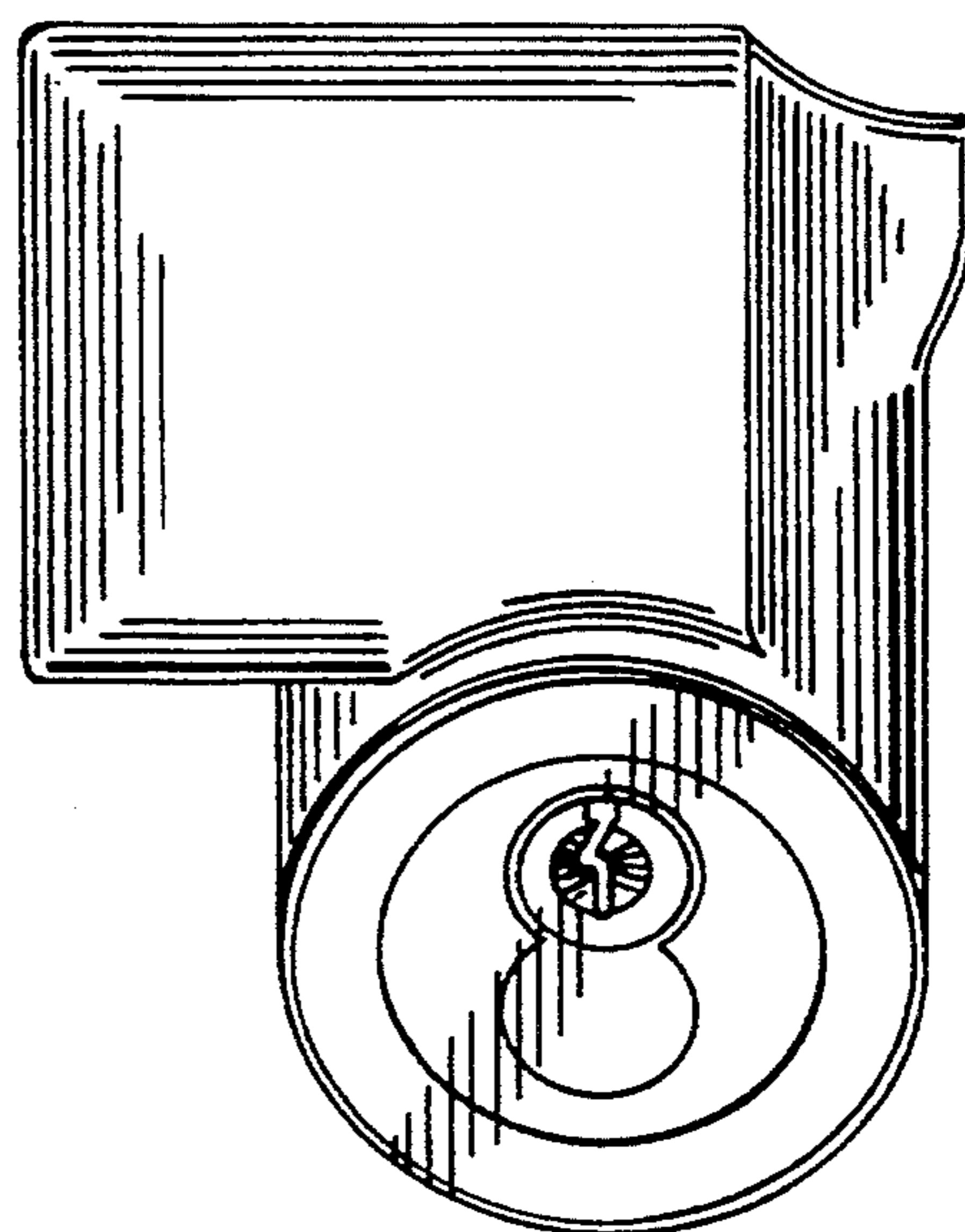


FIG. 7