



US00D350054S

**United States Patent** [19]  
**Richter**

[11] **Patent Number: Des. 350,054**  
[45] **Date of Patent: \*\* Aug. 30, 1994**

[54] **COUPLER LOCK**

[75] **Inventor: Karl E. Richter, Muskego, Wis.**  
[73] **Assignee: Fulton Performance Products, Inc.,  
Mosinee, Wis.**  
[\*\*] **Term: 14 Years**  
[21] **Appl. No.: 903,536**  
[22] **Filed: Jun. 22, 1992**  
[52] **U.S. Cl. .... D8/331; D8/343**  
[58] **Field of Search ..... D8/330-331,  
D8/343; 70/14, 57-58, 77, 158, 174, 207, 237**

[56] **References Cited**

**U.S. PATENT DOCUMENTS**

3,982,413	9/1976	Stone et al. ....	70/14
4,774,823	10/1988	Callison .....	70/14
5,136,863	8/1992	Richardson .....	70/14
5,195,339	3/1993	Nee et al. ....	70/14

**OTHER PUBLICATIONS**

The Sporting Goods Dealer, Aug. 1974, p. 119, "Exclusive Trailer Lock".

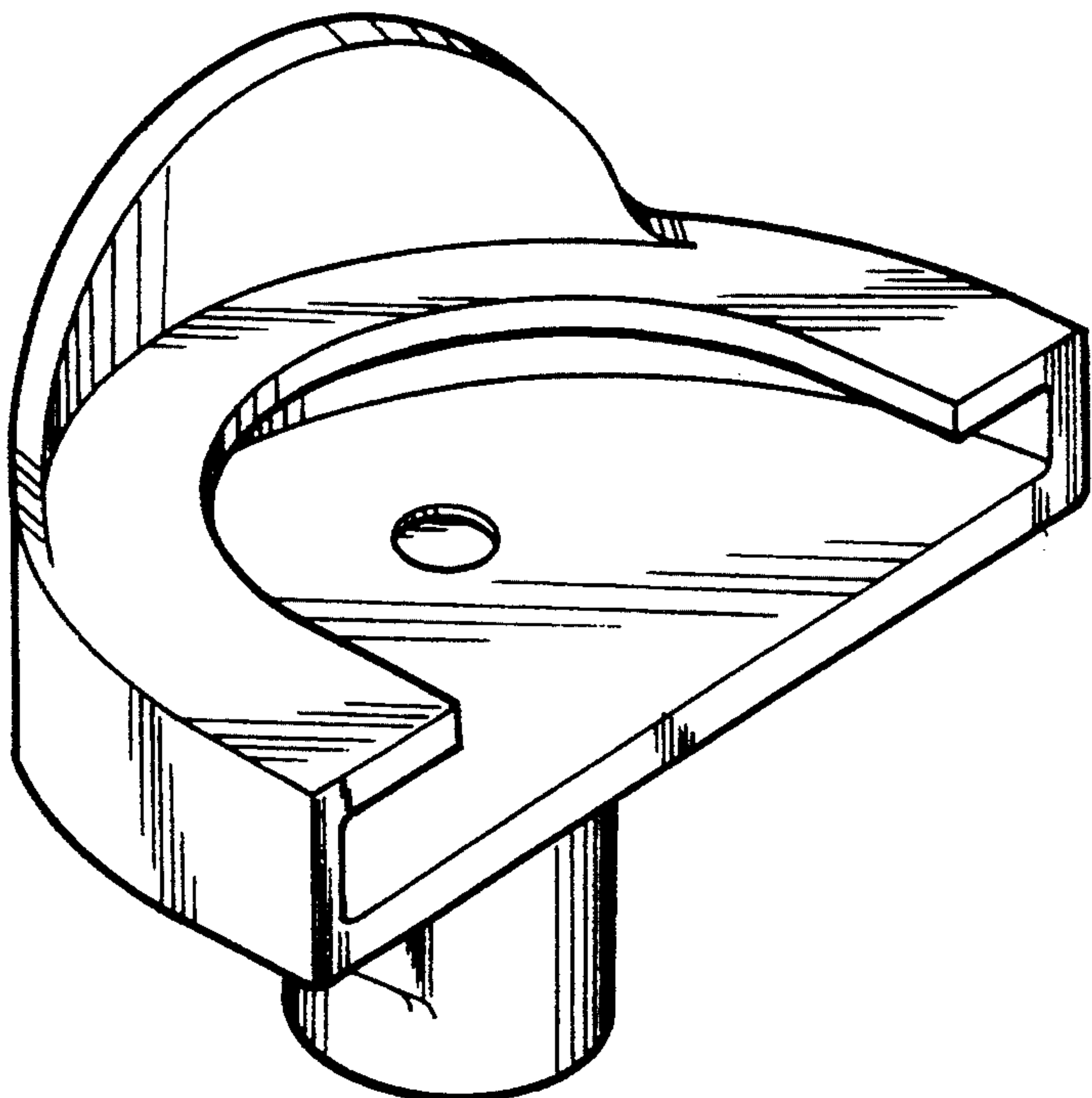
*Primary Examiner*—Brian N. Vinson  
*Attorney, Agent, or Firm*—Edgar A. Zarins; Malcolm L. Sutherland

[57] **CLAIM**

The ornamental design for a coupler lock, as shown and described.

**DESCRIPTION**

FIG. 1 is a perspective view of a coupler lock showing my new design;  
FIG. 2 is a top plan view thereof;  
FIG. 3 is a bottom plan view thereof;  
FIG. 4 is a right side view thereof;  
FIG. 5 is a left side view thereof;  
FIG. 6 is a front plan view thereof; and,  
FIG. 7 is a rear plan view thereof.



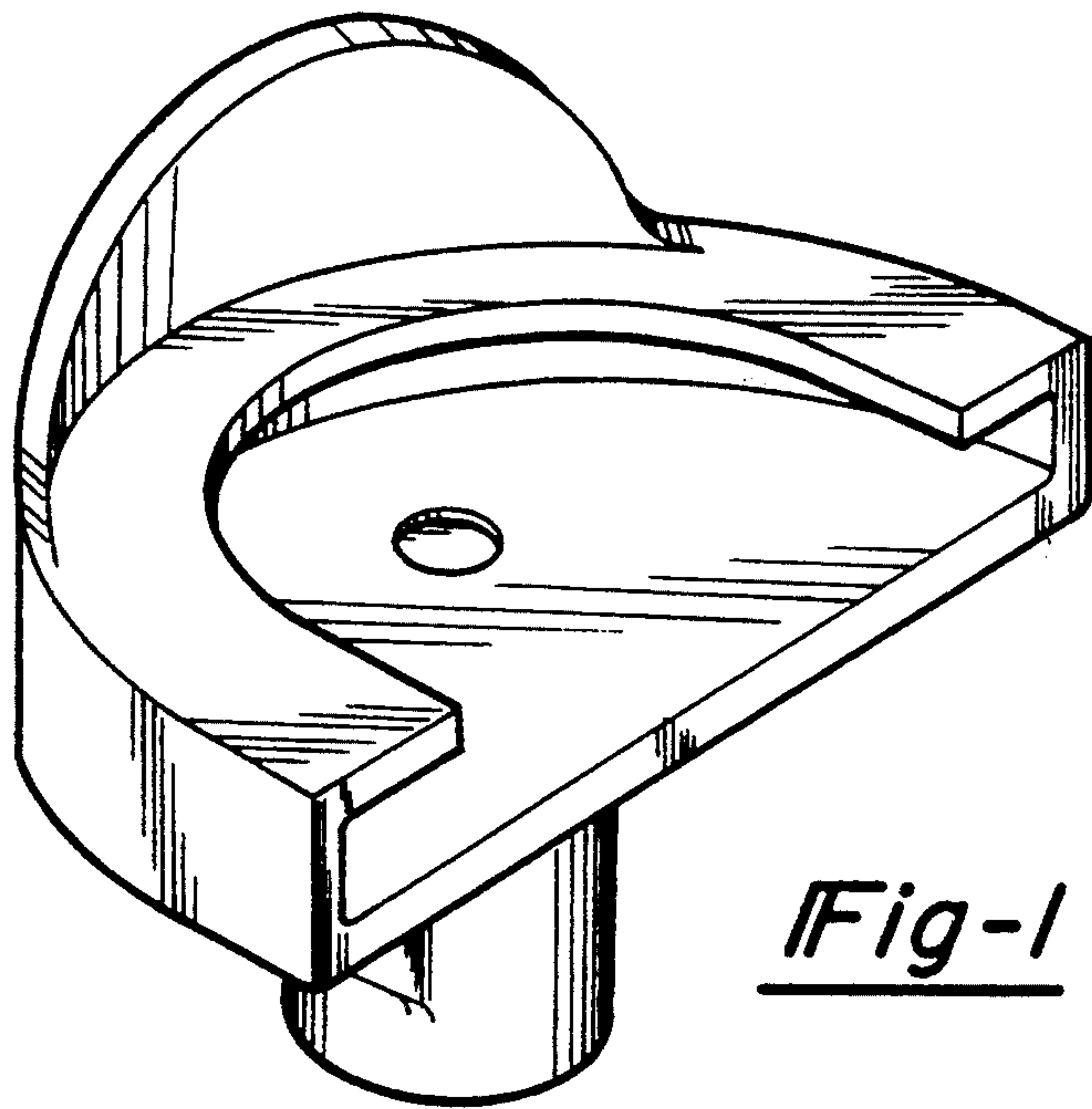


Fig-1

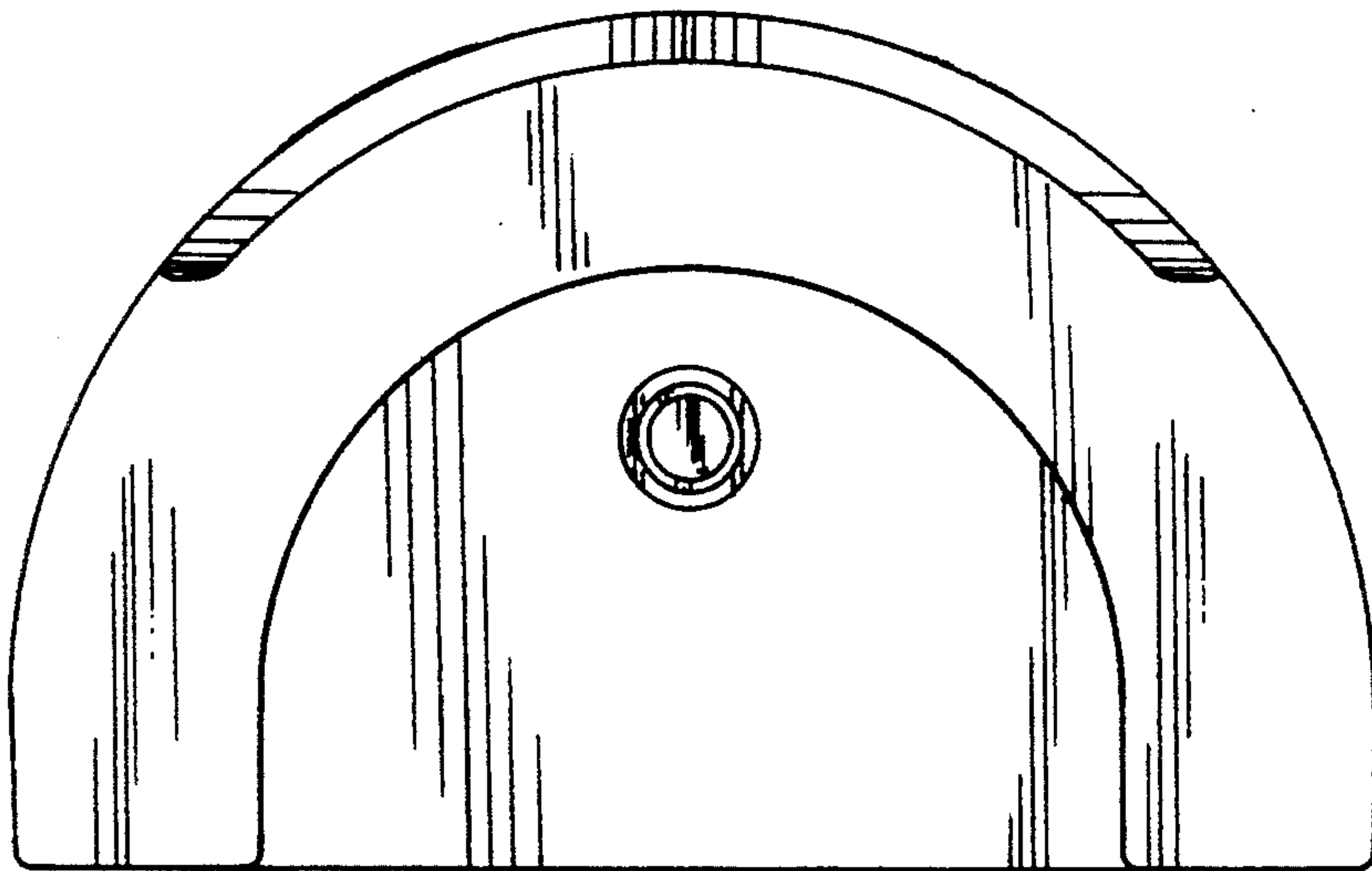


Fig-2

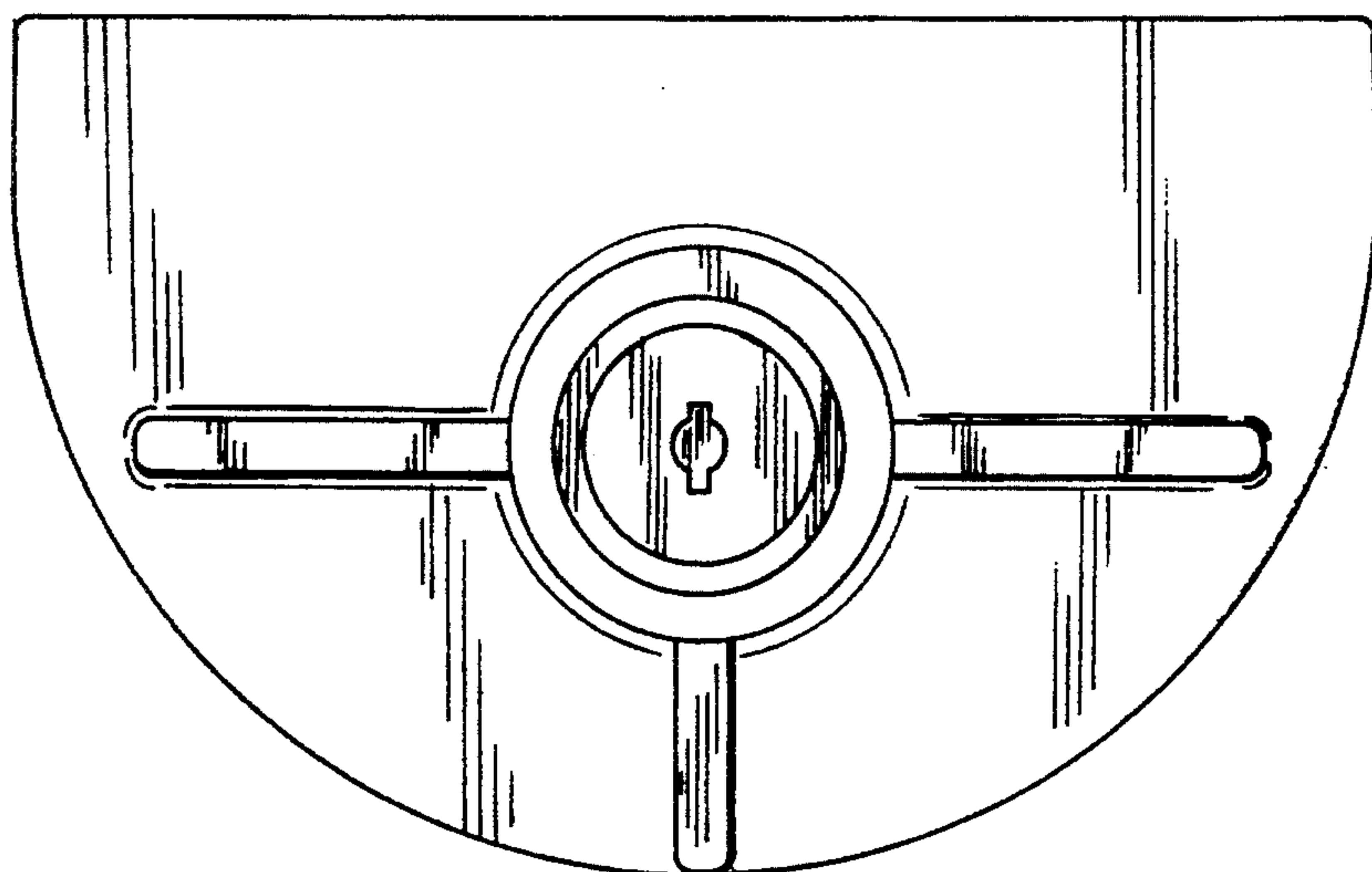


Fig-3

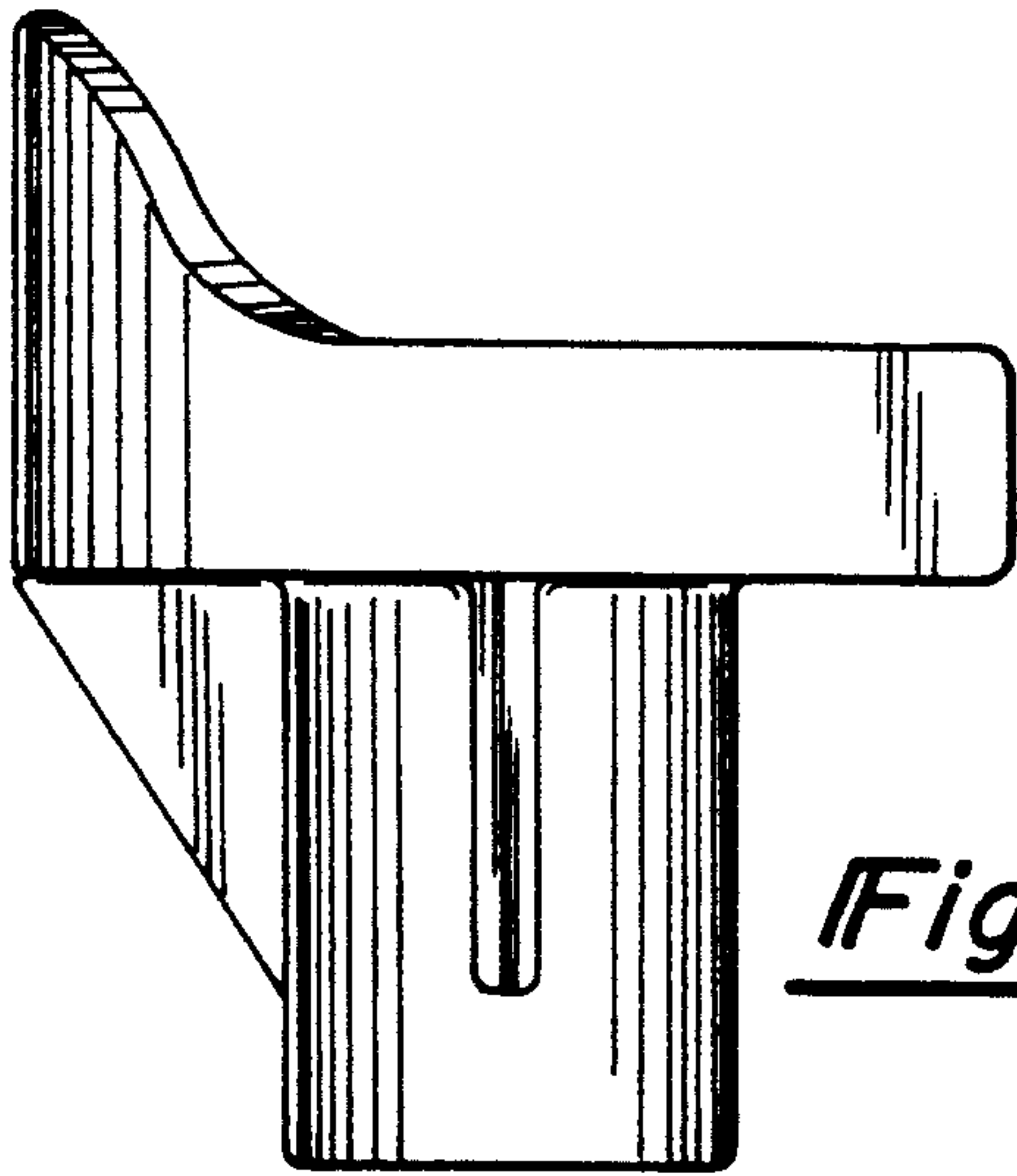


Fig-4

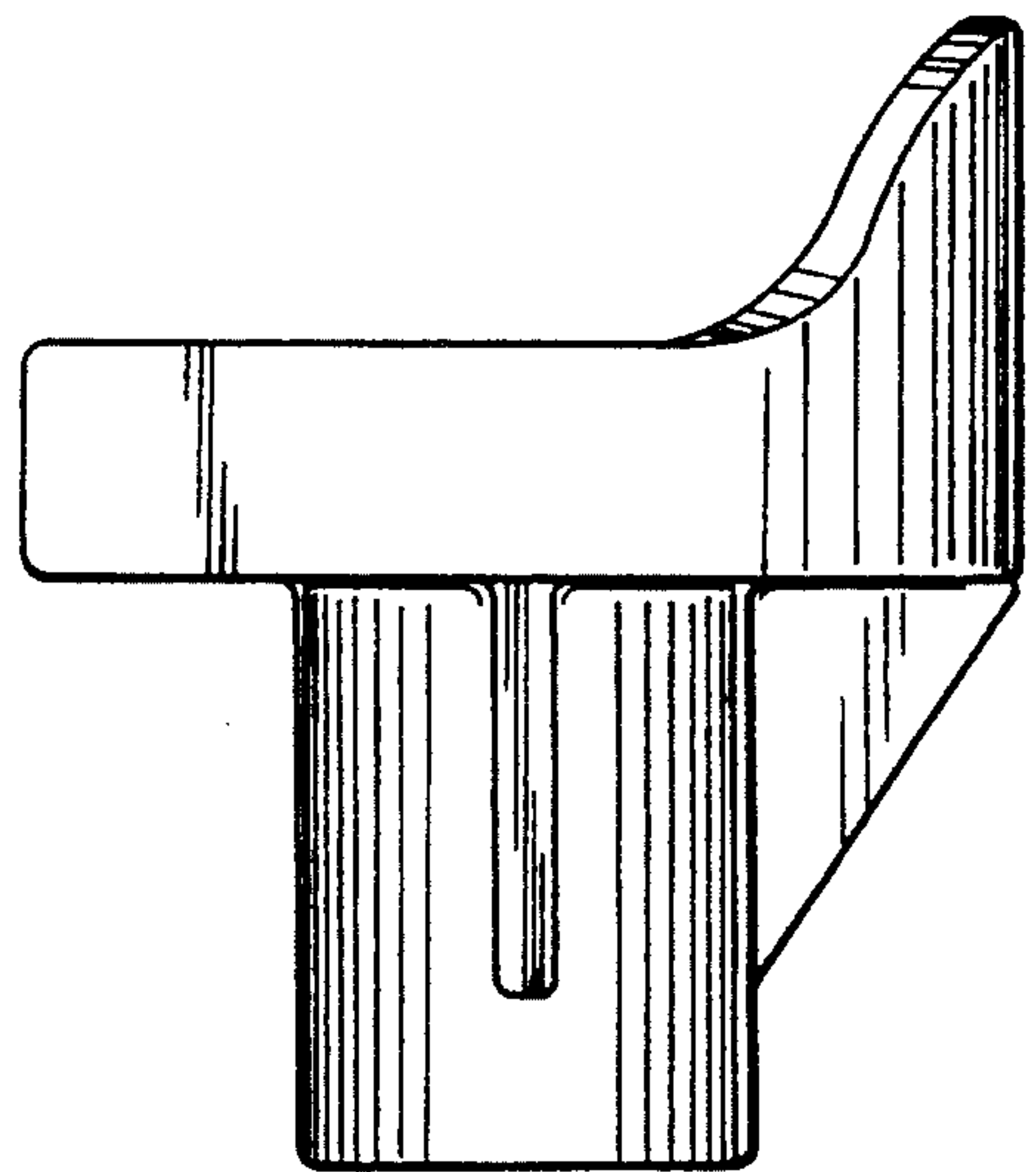


Fig-5

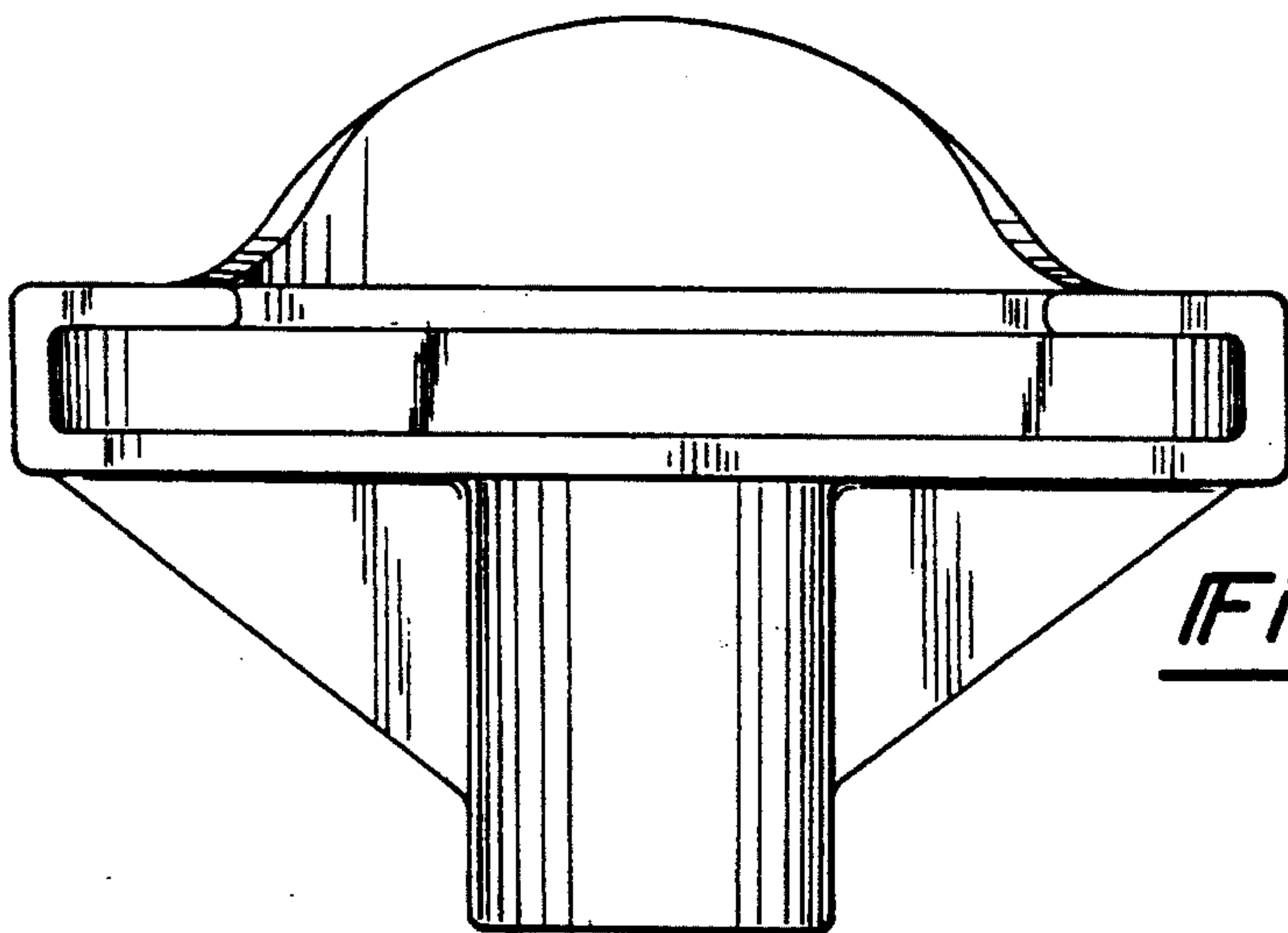


Fig-6

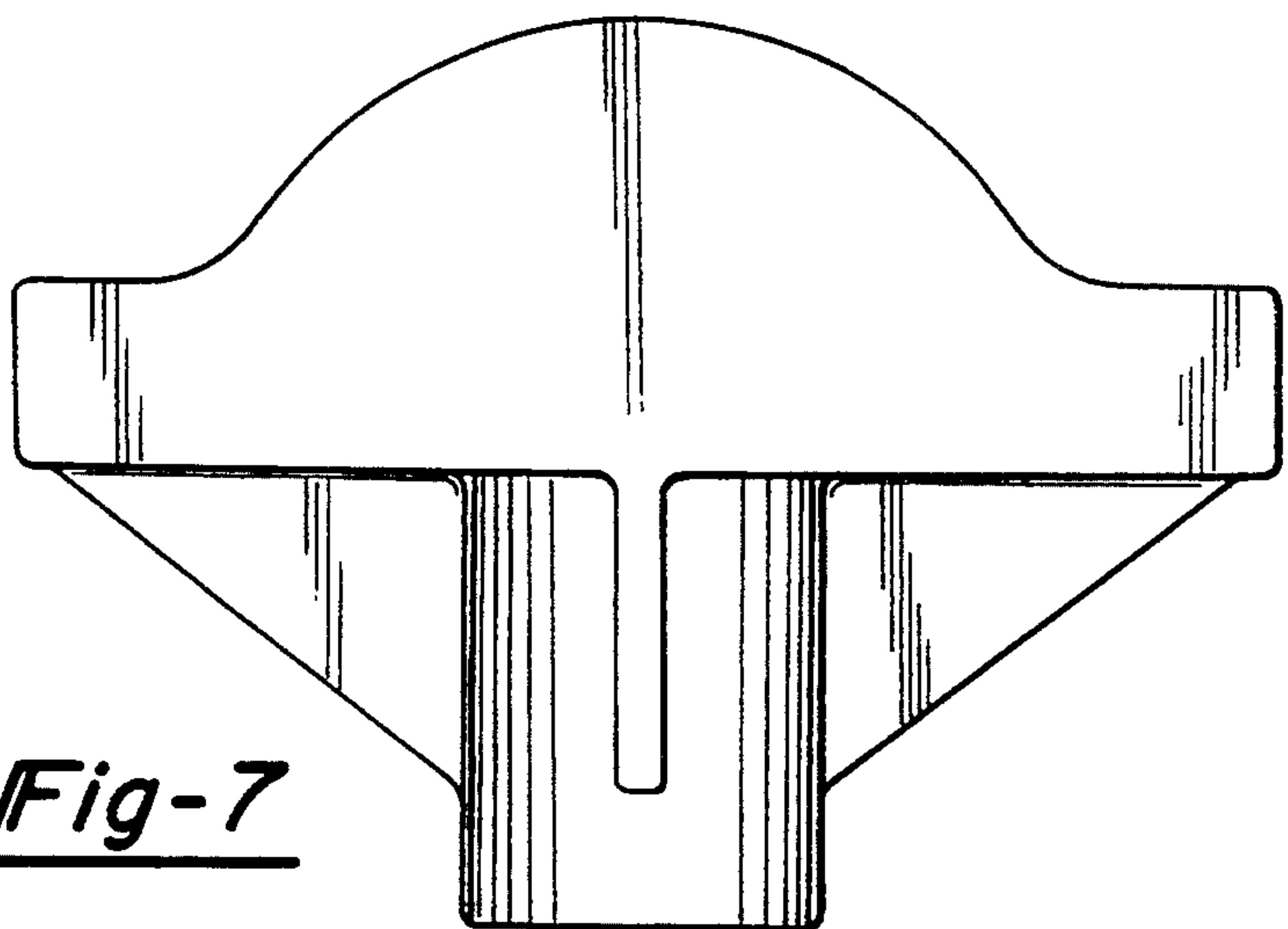


Fig-7