



US00D350048S

# United States Patent [19]

[11] Patent Number: **Des. 350,048**

**Kahl et al.**

[45] Date of Patent: **\*\* Aug. 30, 1994**

[54] **THERMOELECTRIC CONTAINER**

[75] Inventors: **W. Henry Kahl**, Wooster, Ohio; **Neil R. Taylor**, Alameda, Calif.

[73] Assignee: **Rubbermaid Incorporated**, Wooster, Ohio

[\*\*] Term: **14 Years**

[21] Appl. No.: **930,219**

[22] Filed: **Aug. 14, 1992**

[52] U.S. Cl. .... **D7/605**

[58] Field of Search ..... **D7/605; 62/3.1, 3.2, 62/3.62, 3.7, 457.7, 457.1**

4,759,190 7/1988 Trachtenberg et al. .... 62/3  
4,981,019 1/1991 Hicks et al. .... 62/3.62  
5,060,479 10/1991 Carmi et al. .... 62/362

### OTHER PUBLICATIONS

©1990 Coleman Outdoor Products, Inc., The Coleman Company, Inc., 250 North St. Francis, Wichita, Kans. 67202, pp. 37, 38, 40.

*Primary Examiner*—Ruth McInroy  
*Attorney, Agent, or Firm*—Renner, Kenner, Greive, Bobak, Taylor & Weber

### [57] CLAIM

The ornamental design for a thermoelectric container, as shown and described.

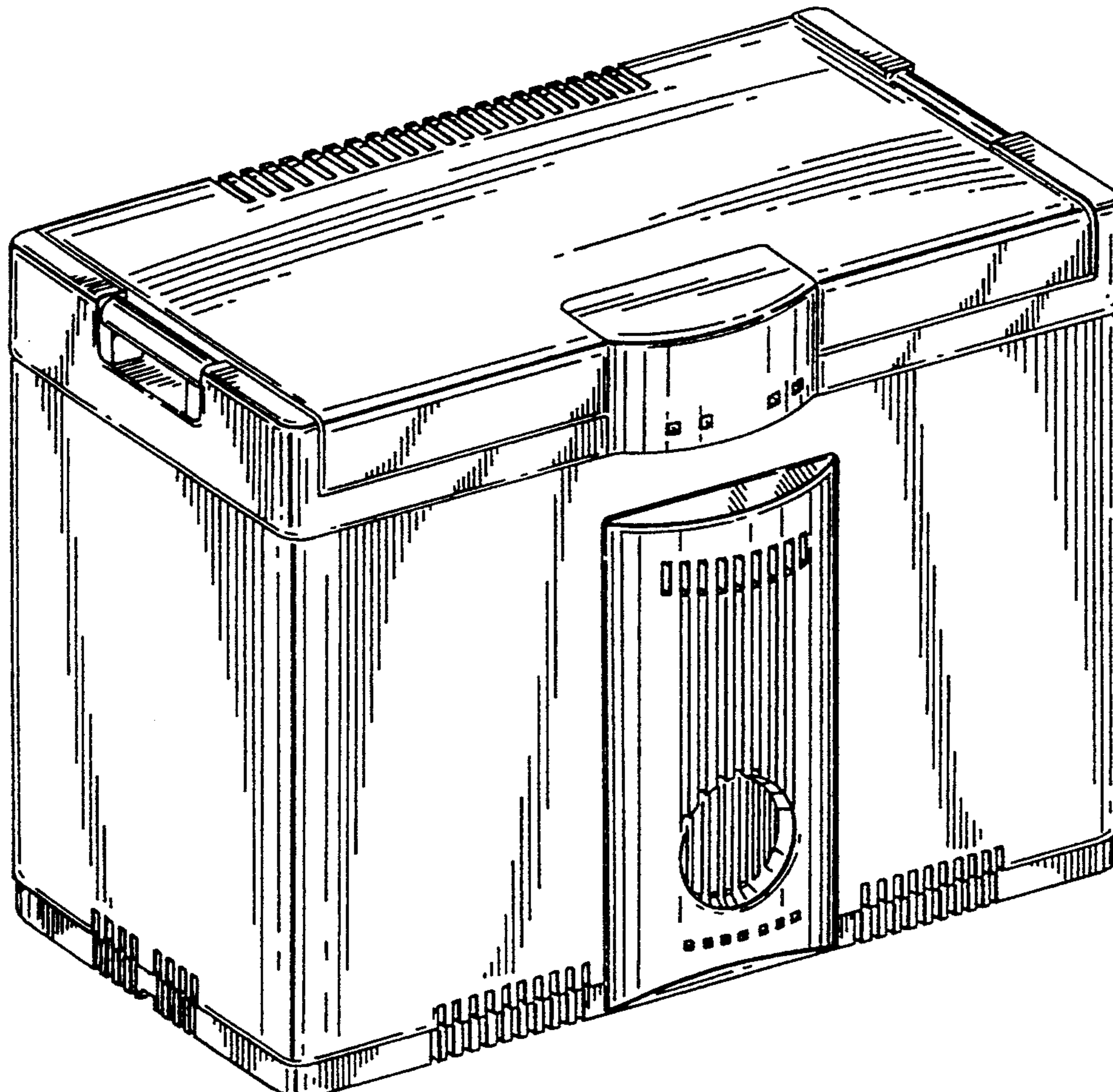
### DESCRIPTION

FIG. 1 is a perspective view of a thermoelectric container embodying our new design;  
FIG. 2 is a front elevational view thereof;  
FIG. 3 is a rear elevational view thereof;  
FIG. 4 is a side elevational view thereof depicting the side opposite to that shown in FIG. 1, the sides being mirror images of each other;  
FIG. 5 is a top plan view thereof; and,  
FIG. 6 is a bottom plan view thereof.

### [56] References Cited

#### U.S. PATENT DOCUMENTS

D. 286,252	10/1986	Goodwin	.....	D7/605
D. 317,240	6/1991	Bridges et al.	.....	D7/605
D. 325,323	4/1992	Kahl	.....	D7/605
D. 340,167	10/1993	Kahl	.....	D7/605
3,194,023	7/1965	Sudmeier	.....	62/3
4,089,184	5/1978	Beitner	.....	62/3
4,274,262	6/1981	Reed et al.	.....	62/3
4,297,850	11/1981	Reed	.....	62/3
4,326,383	4/1982	Reed et al.	.....	62/3



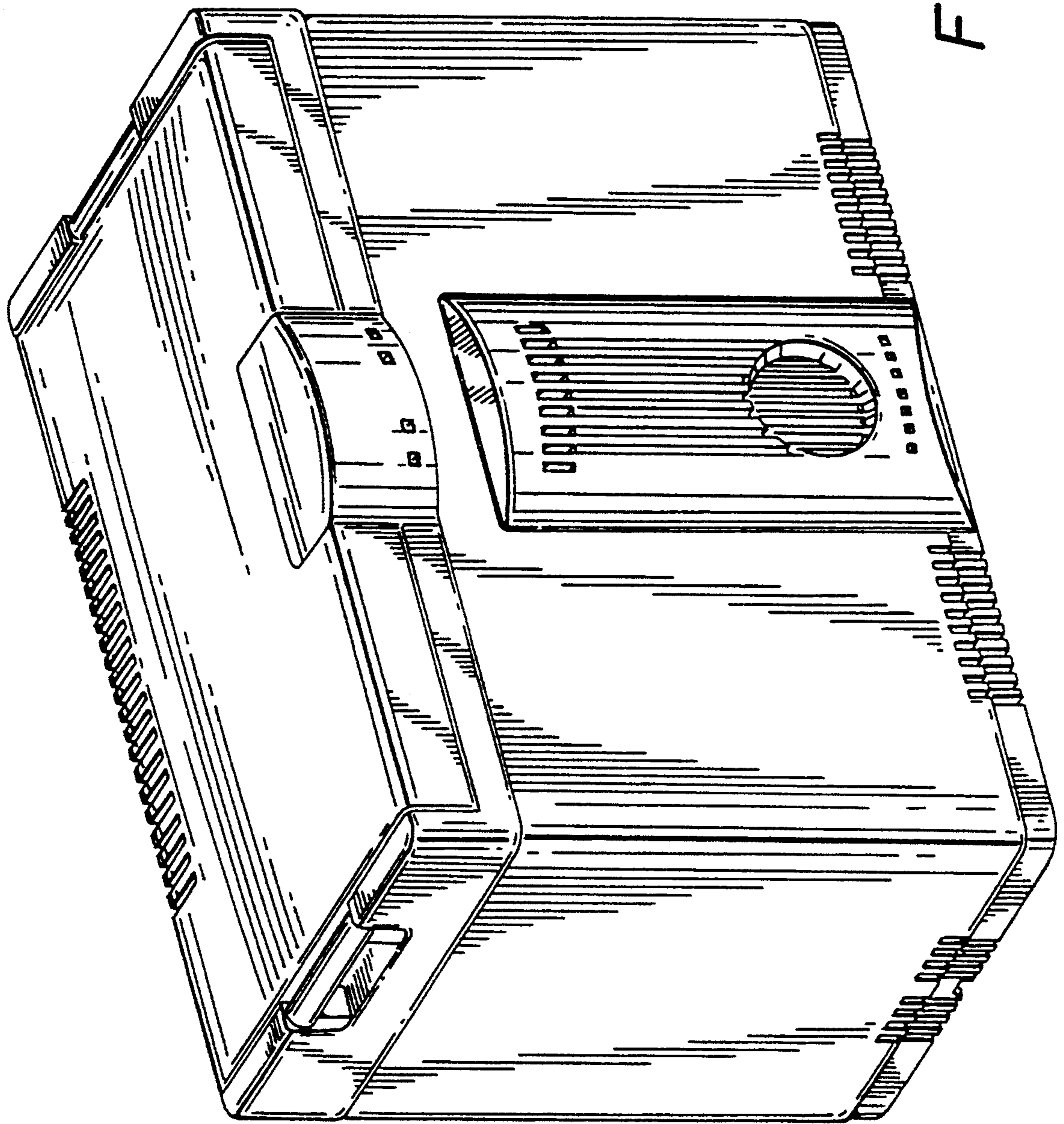


FIG. 1

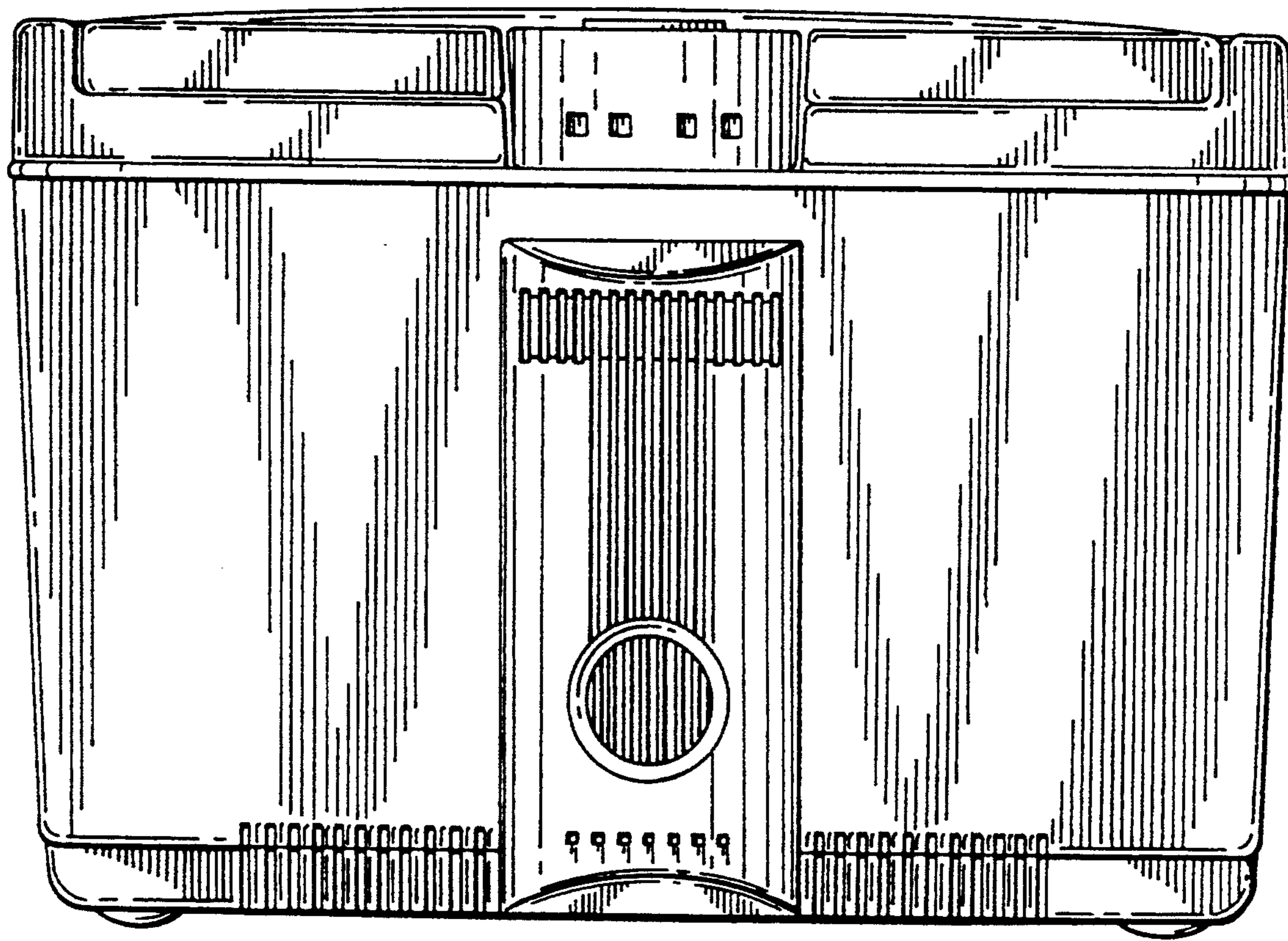


FIG. 2

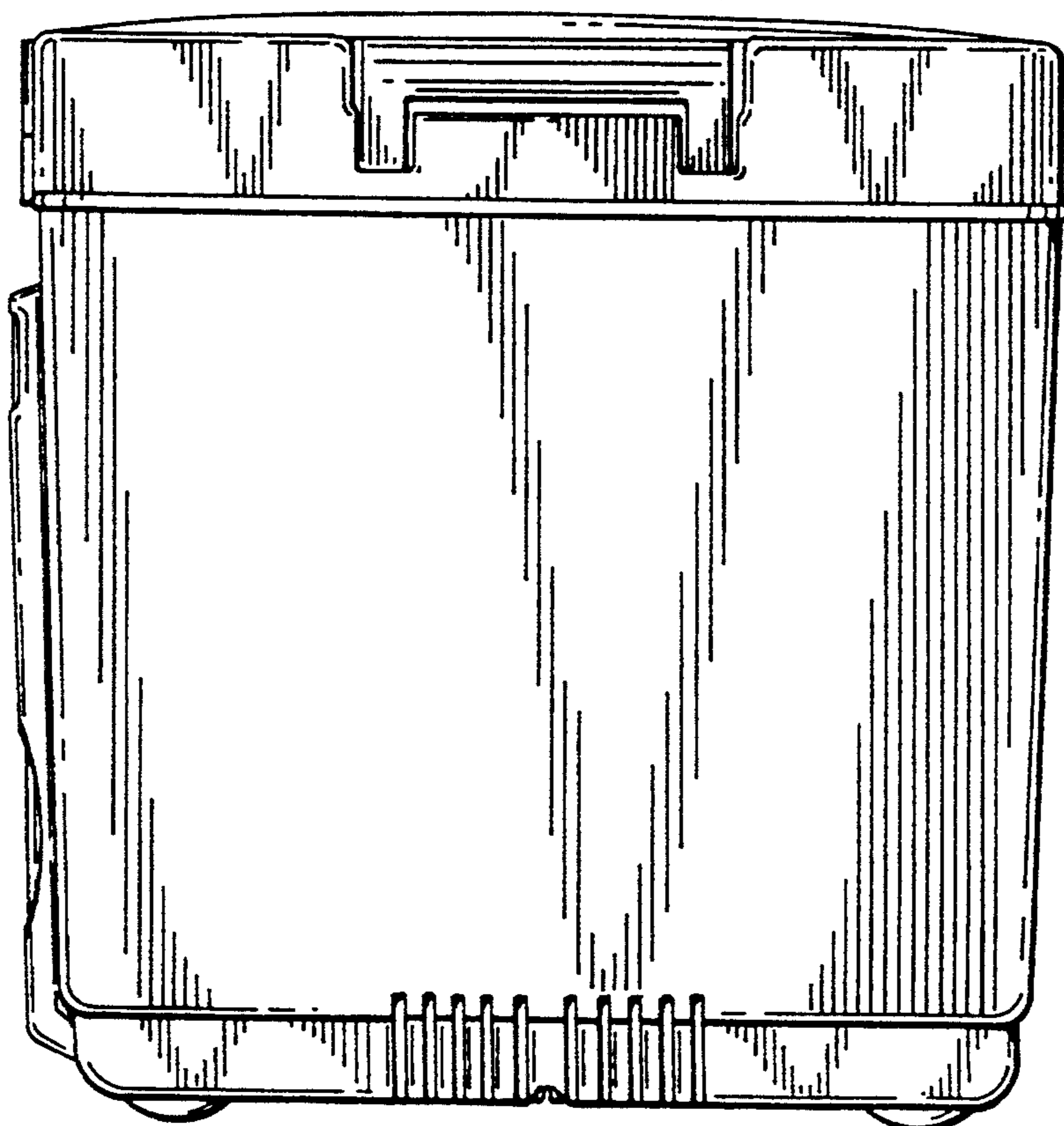


FIG. 4

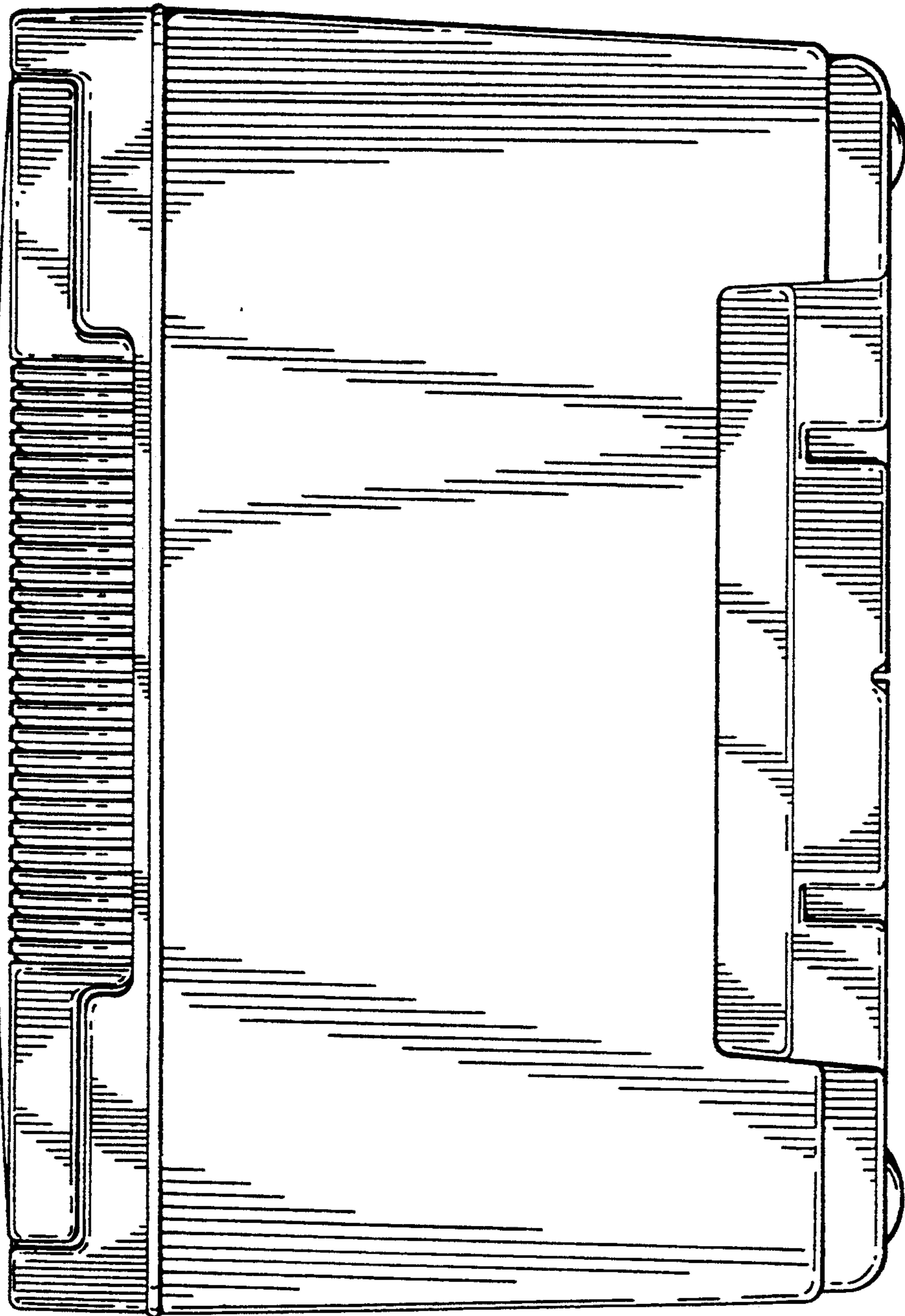


FIG. 3

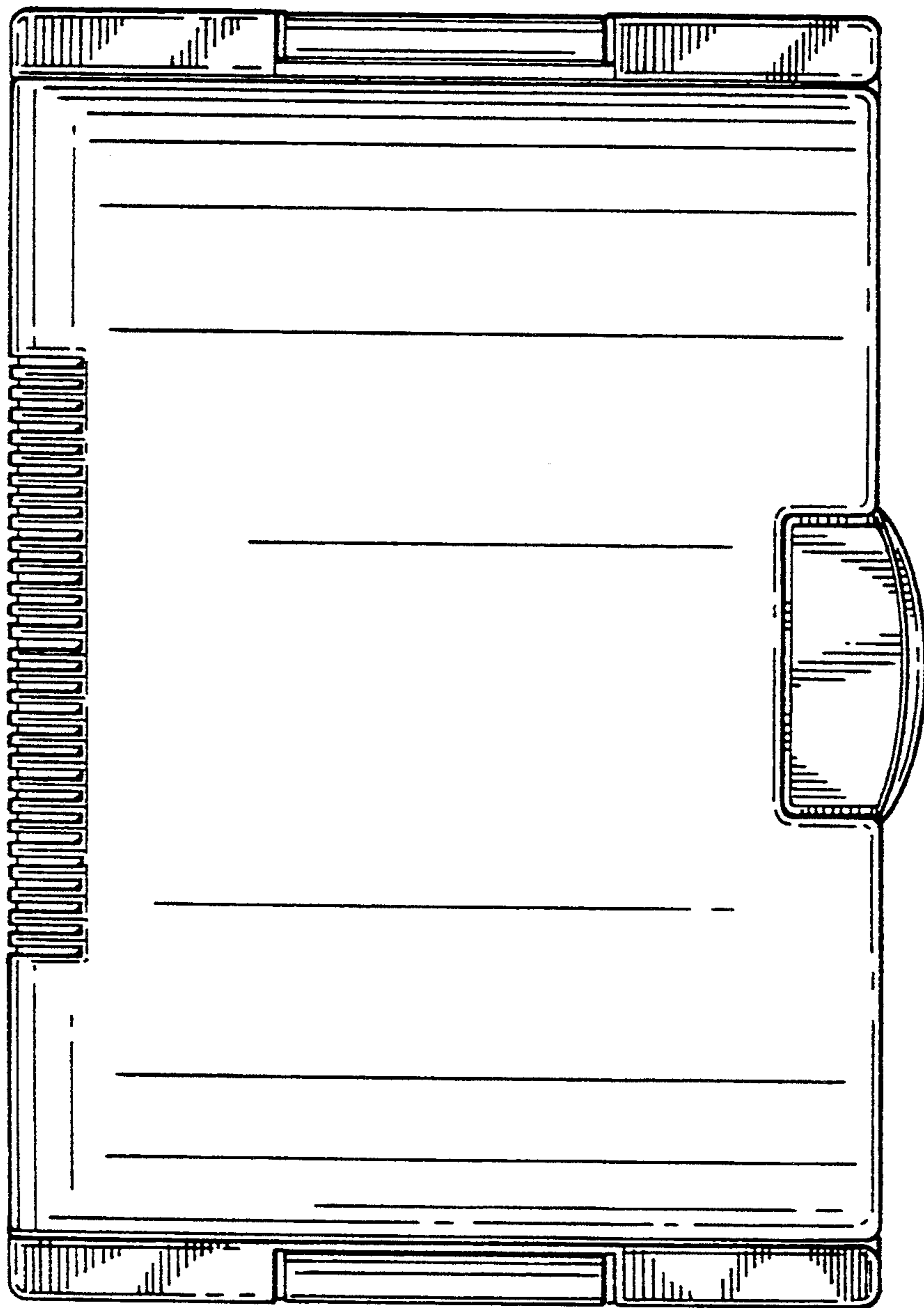


FIG. 5

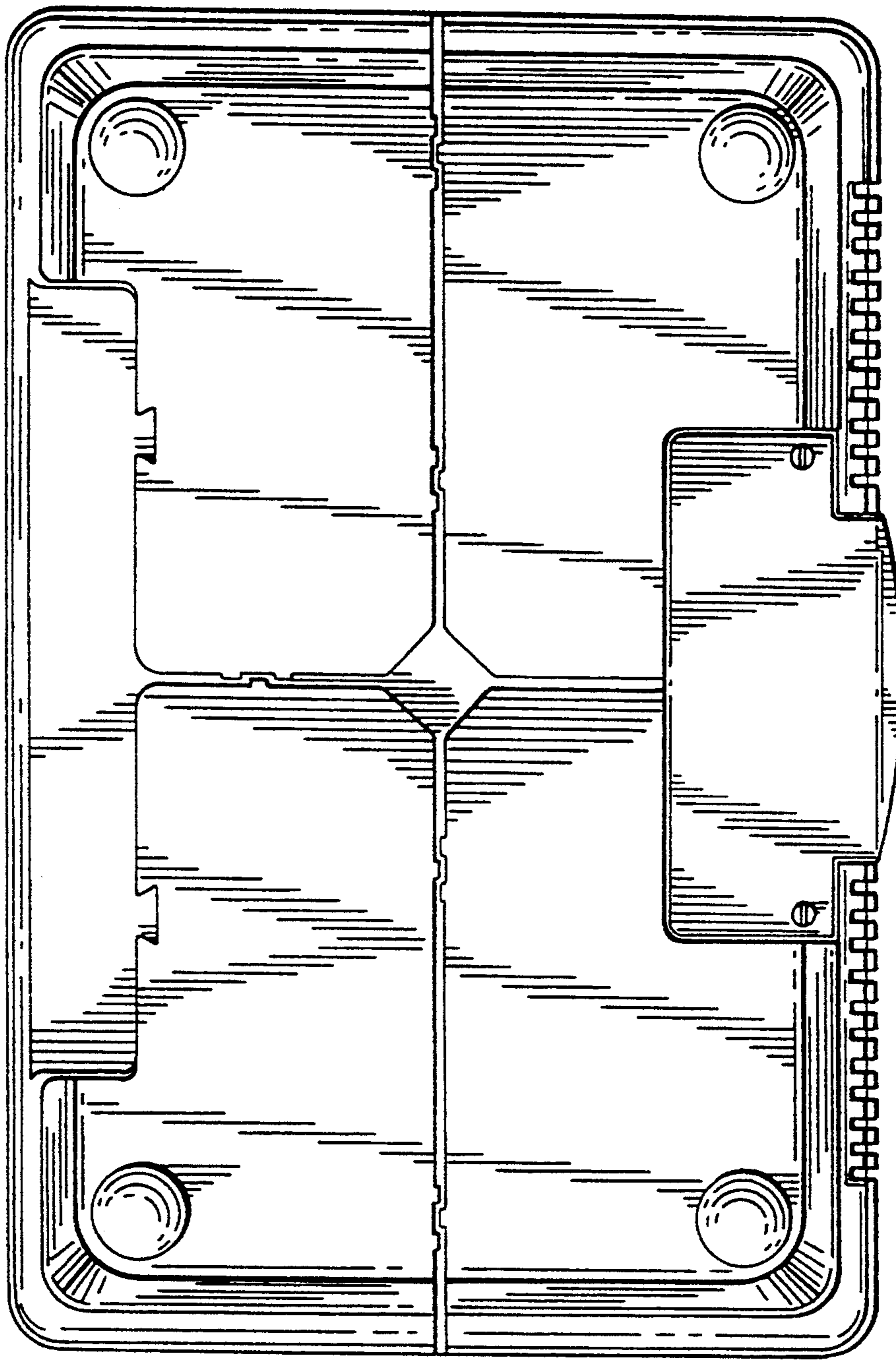


FIG. 6