



US00D350045S

# United States Patent [19]

[11] Patent Number: **Des. 350,045**

Stuart

[45] Date of Patent: **\*\* Aug. 30, 1994**

[54] **COMBINED TABLE, ROASTING POT AND COOKING UTENSILS**

D. 299,305	1/1989	Vollborn .....	D7/332
D. 327,390	6/1992	Schlosser et al. ....	D7/334
D. 327,805	7/1992	Parent et al. ....	D7/334

[76] Inventor: **Hor-Chen C. Stuart**, Suite 1, 11F, 95-8 Chang Ping Road Sec. 1, Taichung, Taiwan, Taiwan

### OTHER PUBLICATIONS

Weber unstopable in 1985 Jul. 1984, p. 21 "Model 16901".

[\*\*] Term: **14 Years**

*Primary Examiner*—Ruth McInroy

[21] Appl. No.: **592**

### [57] CLAIM

[22] Filed: **Oct. 19, 1992**

The ornamental design for a combined table, roasting pot and cooking utensils, as shown.

[52] U.S. Cl. .... **D7/332; D6/429**

[58] Field of Search ..... **D7/332, 334, 339, 340, D7/346-347; 126/25 R, 25 A, 25 AA, 37 R, 39 B, 39 BA, 39 E, 40, 273 R; D6/429, 511**

### DESCRIPTION

### [56] References Cited

#### U.S. PATENT DOCUMENTS

D. 185,035	4/1959	Murdoch .....	D7/334
D. 233,499	11/1974	Sakata .....	D7/346
D. 262,427	12/1981	Boston et al. ....	D7/334
D. 286,002	10/1986	Brix .....	D7/332

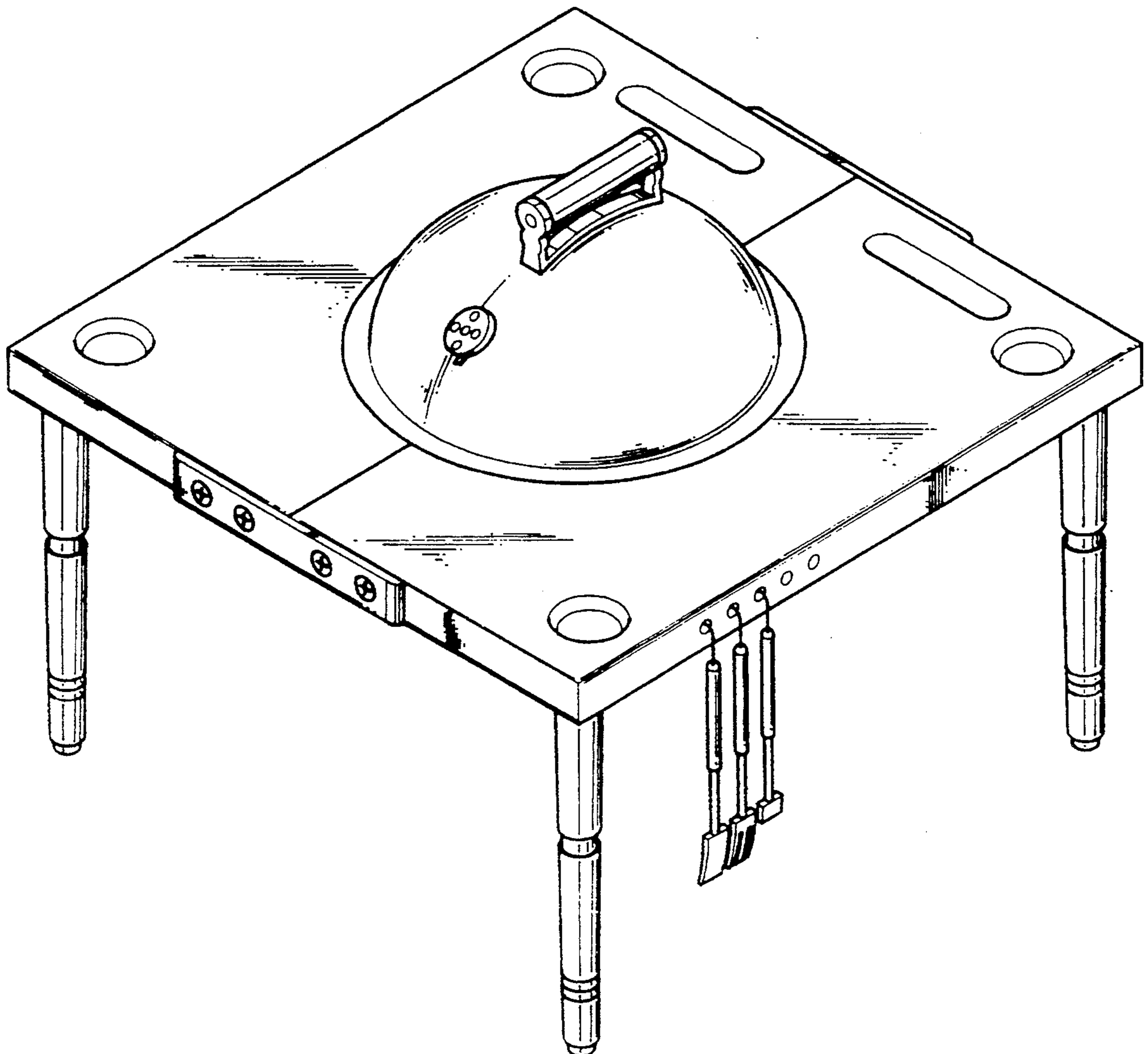
FIG. 1 is a top perspective view of a combined table, roasting pot and cooking utensils showing my new design;

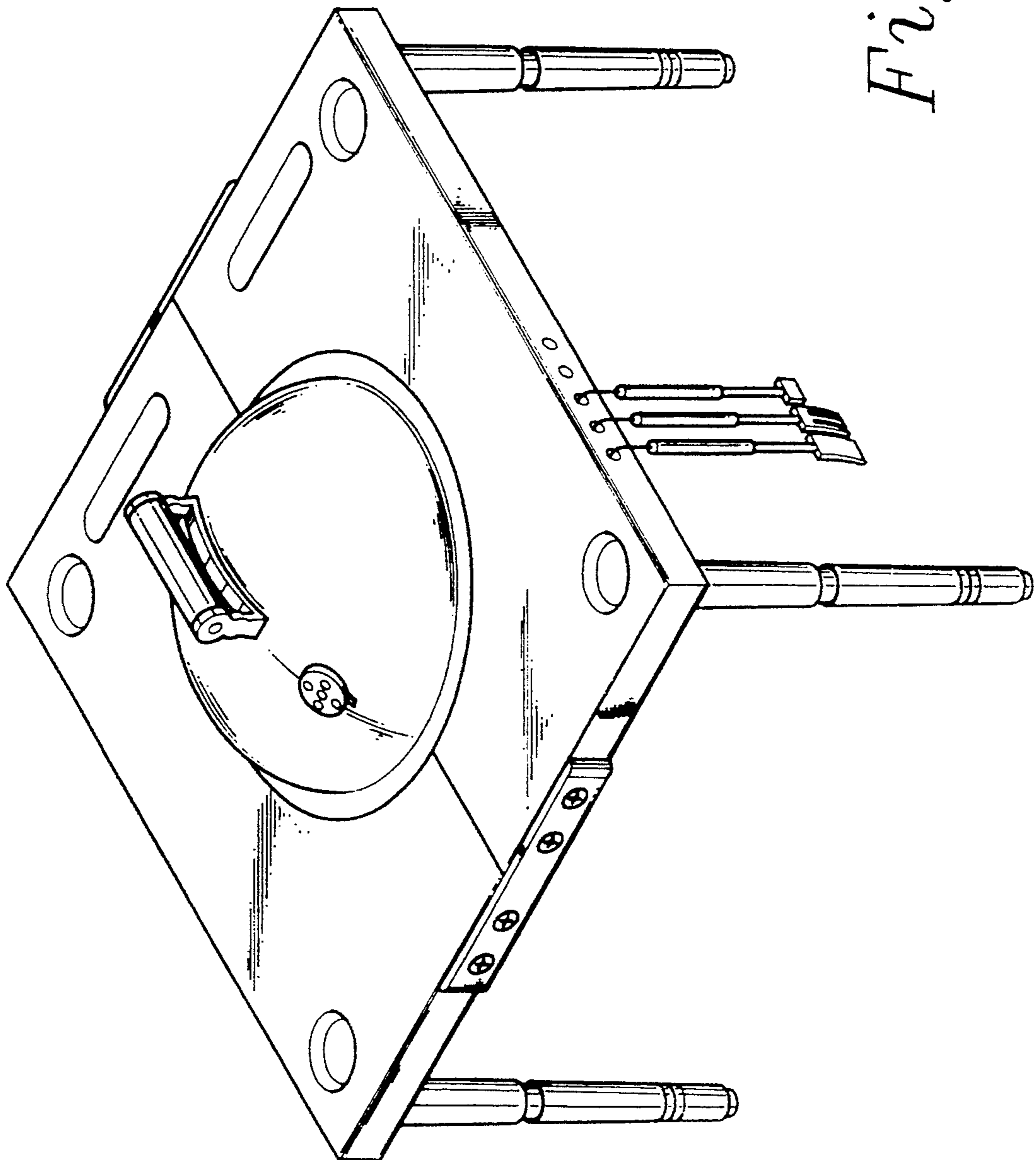
FIG. 2 is a top plan view thereof;

FIG. 3 is a left side elevational view thereof;

FIG. 4 is a bottom plan view thereof; and,

FIG. 5 is a front elevational view thereof, the opposite side being a mirror image.





*Fig. 1*

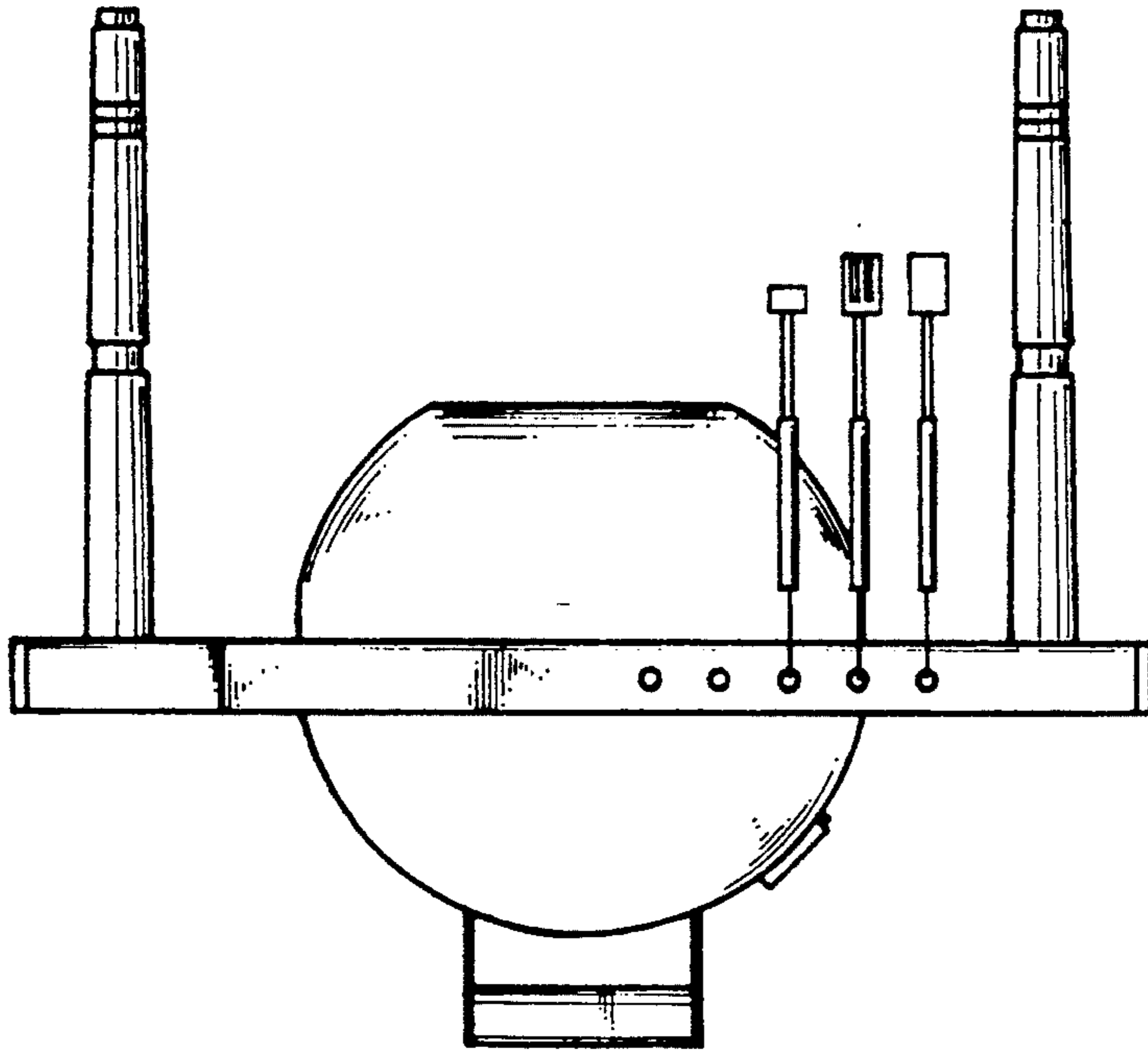


Fig. 3

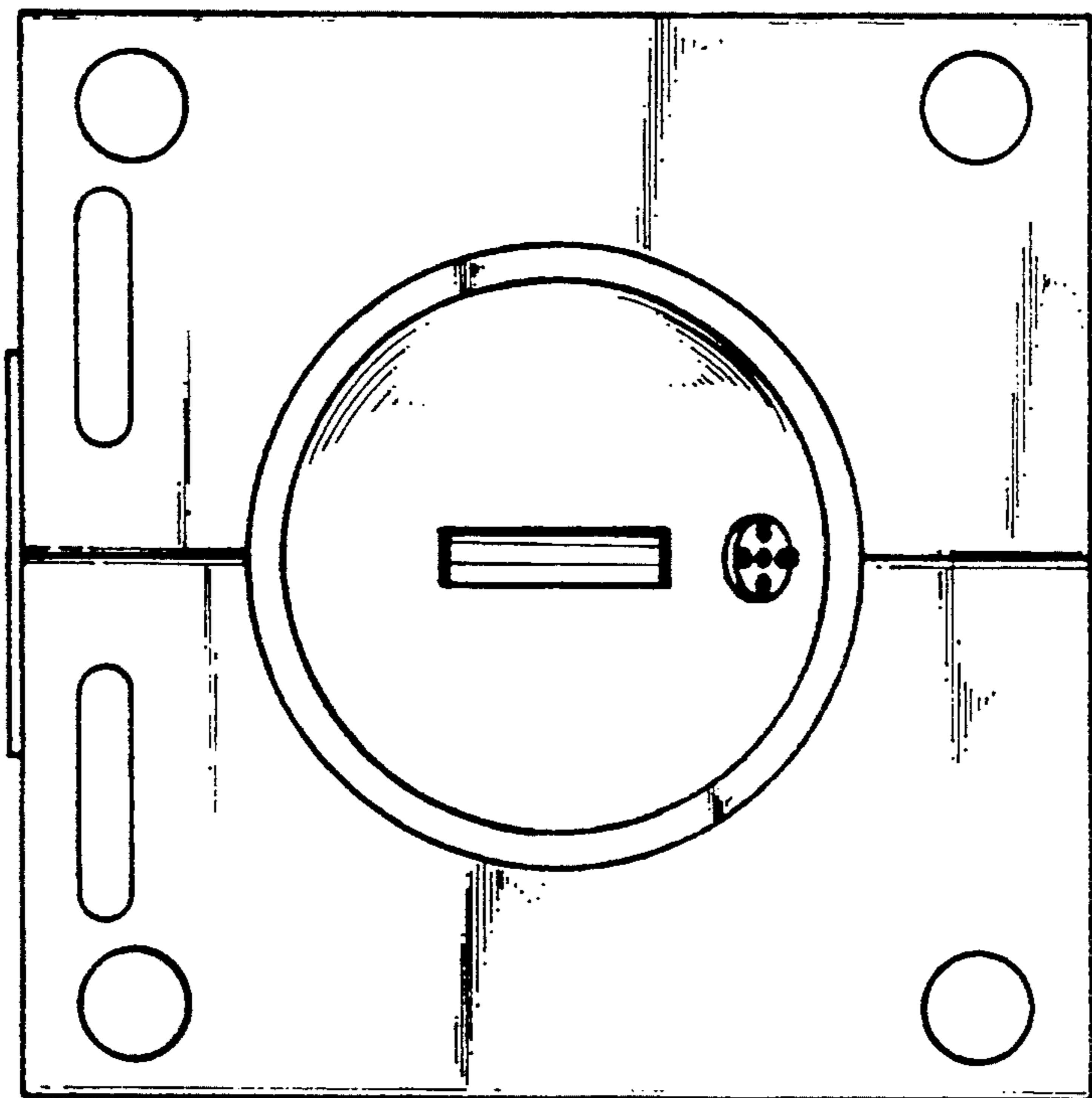


Fig. 2

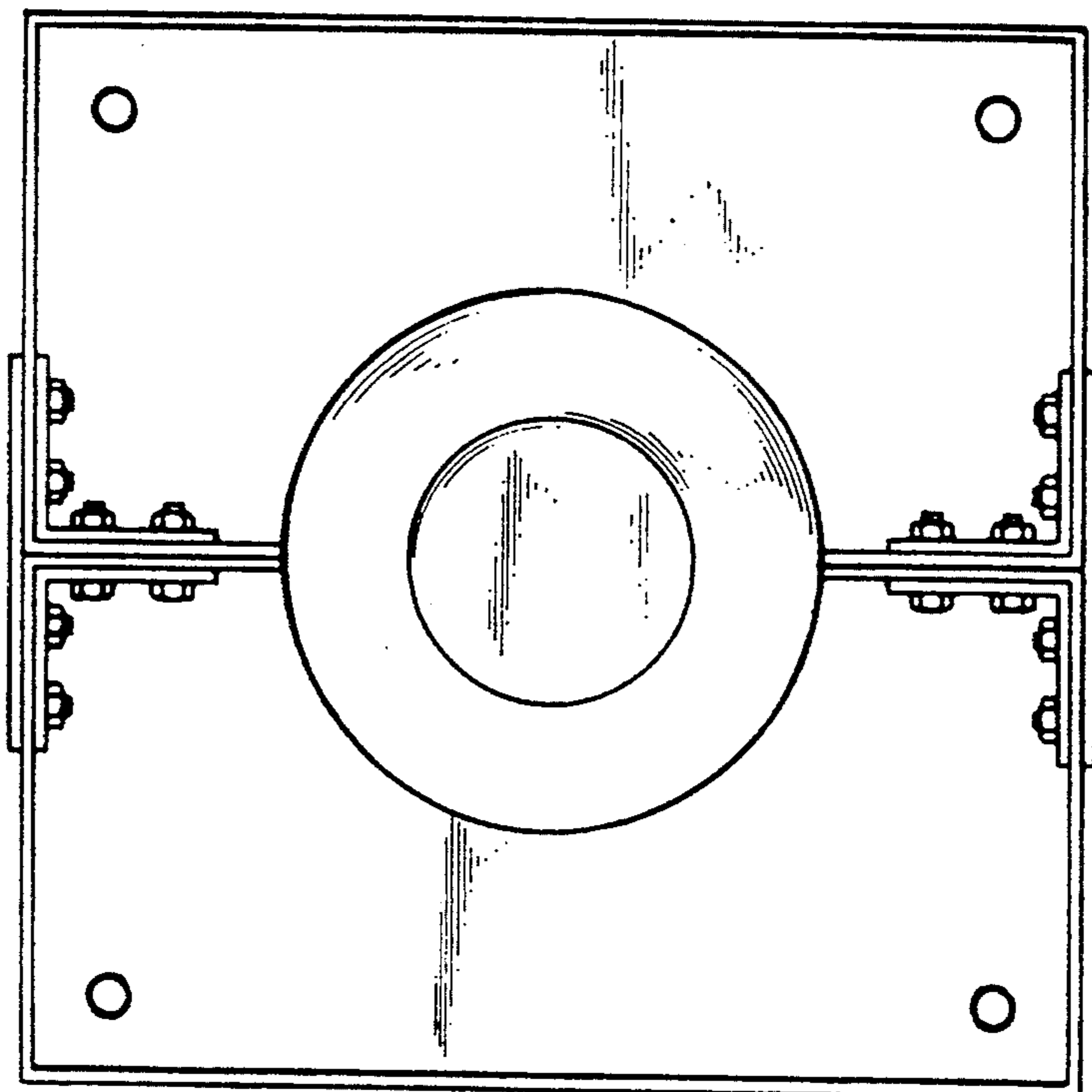


Fig. 4

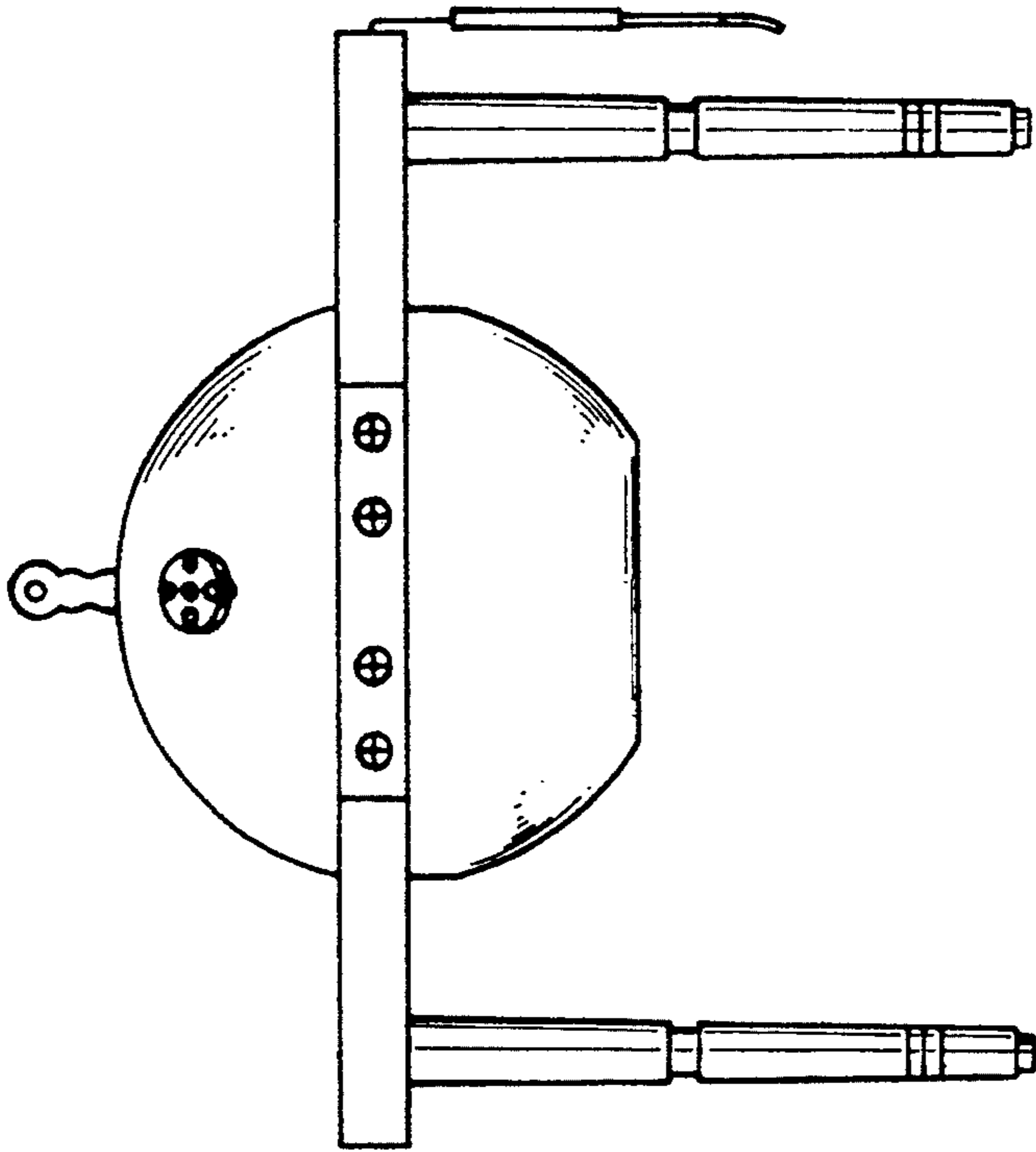


Fig. 5