



US00D350043S

United States Patent [19]

[11] Patent Number: **Des. 350,043**

Vogels

[45] Date of Patent: **** Aug. 30, 1994**

[54] TV CEILING SUPPORT

[56] References Cited

[75] Inventor: **Henricus H. Vogels**, Eindhoven, Netherlands

U.S. PATENT DOCUMENTS

D. 309,562	7/1990	Boscacci et al.	D8/373
D. 314,483	2/1991	Zimprich et al.	D6/513
D. 337,719	7/1993	Burns	D6/567 X
4,659,047	4/1987	Haller	248/310 X
4,942,989	7/1990	Miller	D8/373 X

[73] Assignee: **Vogel's Holding B.V.**, Eindhoven, Netherlands

Primary Examiner—Brian N. Vinson
Attorney, Agent, or Firm—Ladas & Parry

[**] Term: **14 Years**

[57] CLAIM

[21] Appl. No.: **15,579**

The ornamental design for a TV ceiling support, as shown.

[22] Filed: **Nov. 22, 1993**

DESCRIPTION

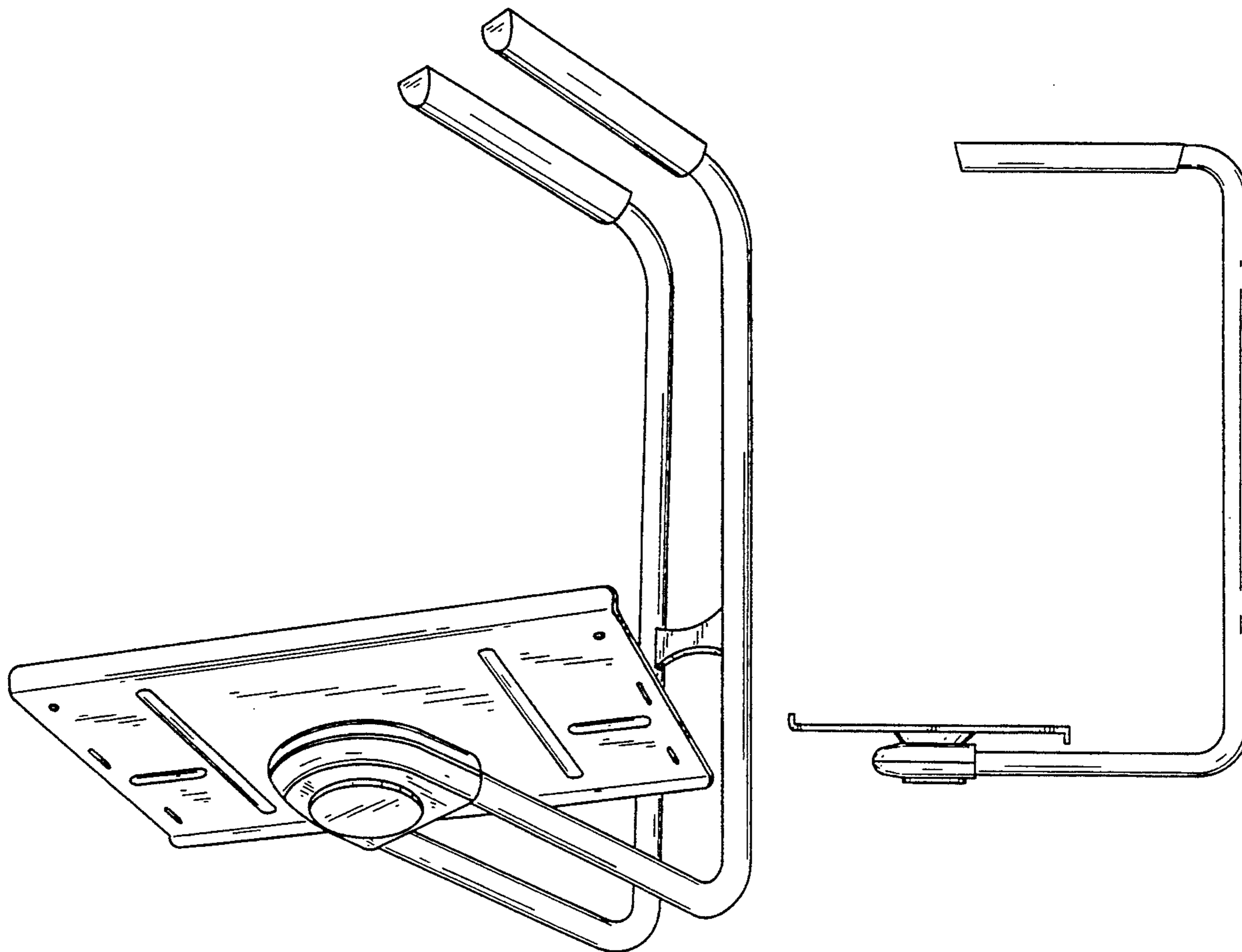
[30] Foreign Application Priority Data

Jul. 7, 1993 [XH] Hague DMA/002209

[52] U.S. Cl. **D6/513**

[58] Field of Search D6/512-514,
D6/567, 574; D8/363, 373, 380; 248/637, 670,
317, 323-324, 310; 211/86, 113

FIG. 1 is a front perspective view of my design for a "TV ceiling support";
FIG. 2 is a top plan view thereof;
FIG. 3 is a bottom plan view thereof;
FIG. 4 is a front view thereof;
FIG. 5 is a rear view thereof;
FIG. 6 is a right side view thereof; and,
FIG. 7 is a left side view thereof.



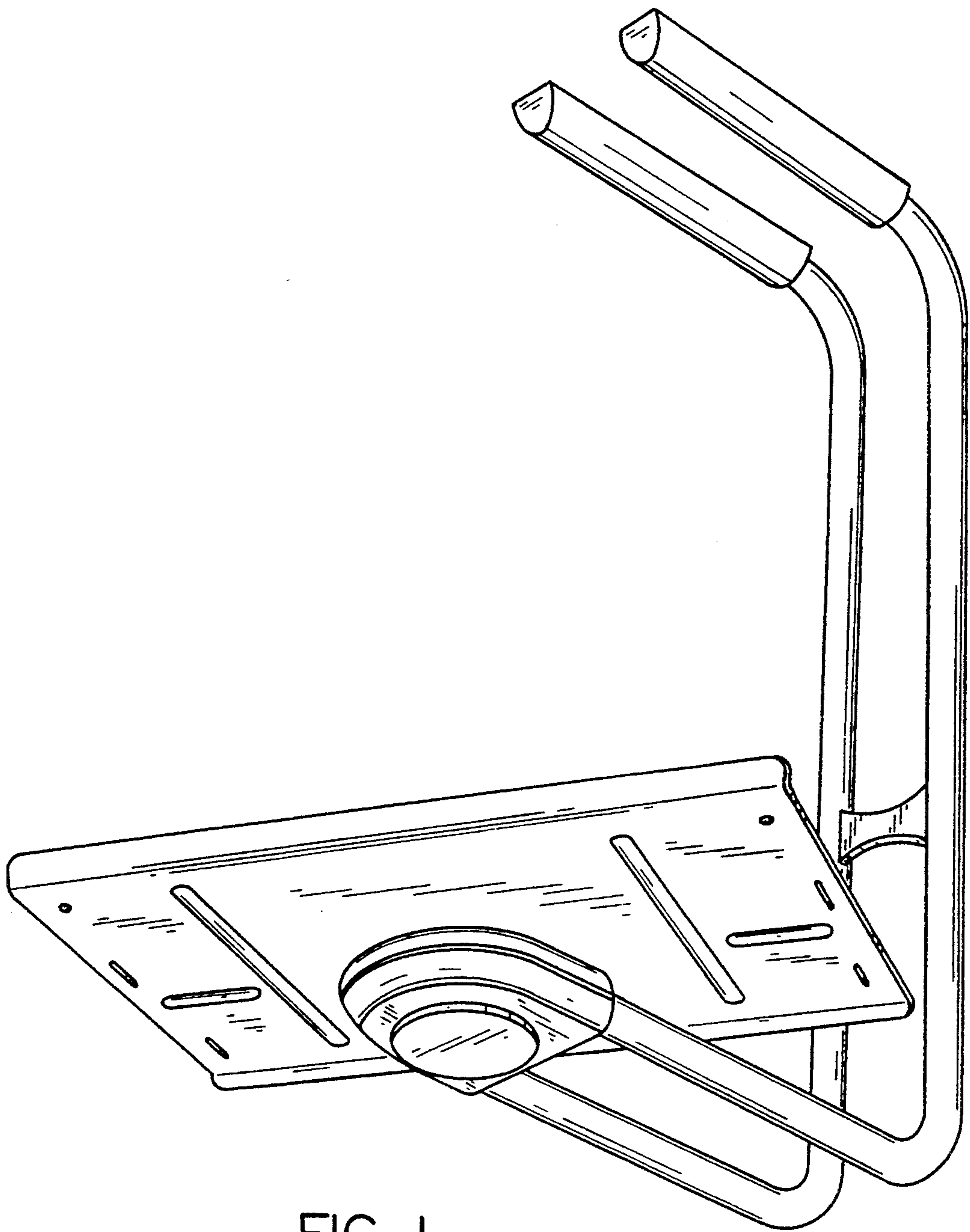


FIG. 1

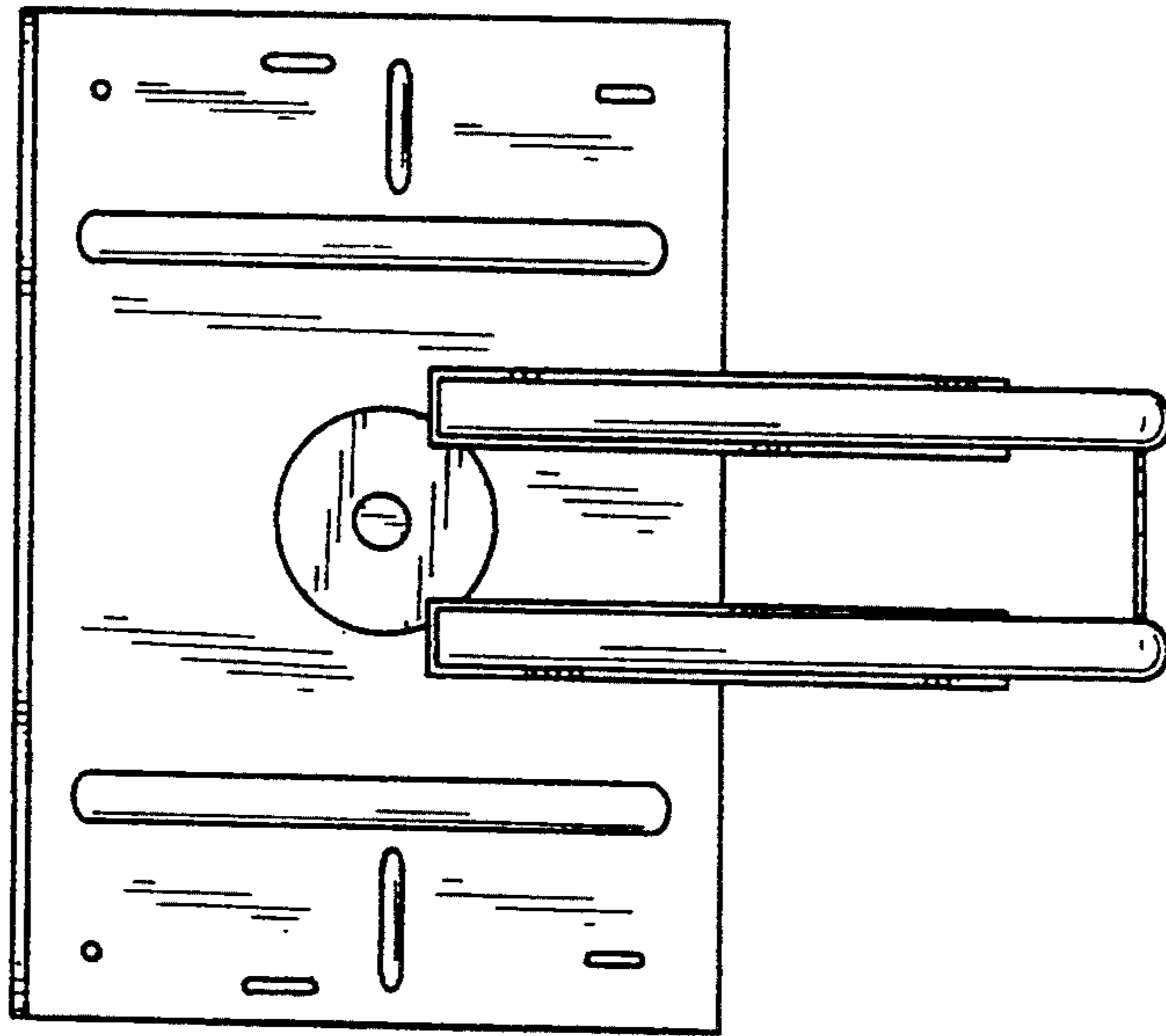


FIG. 2

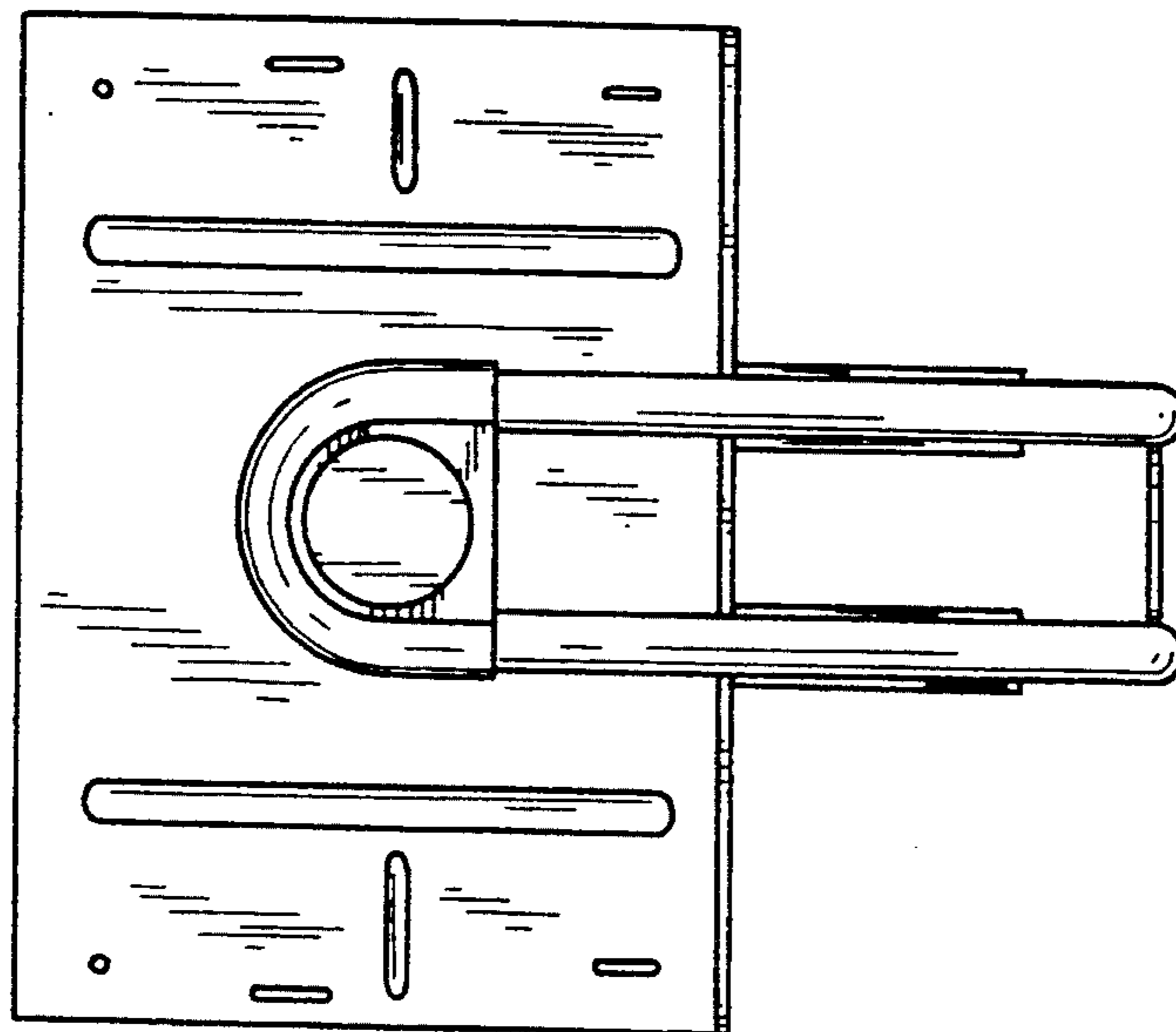


FIG. 3

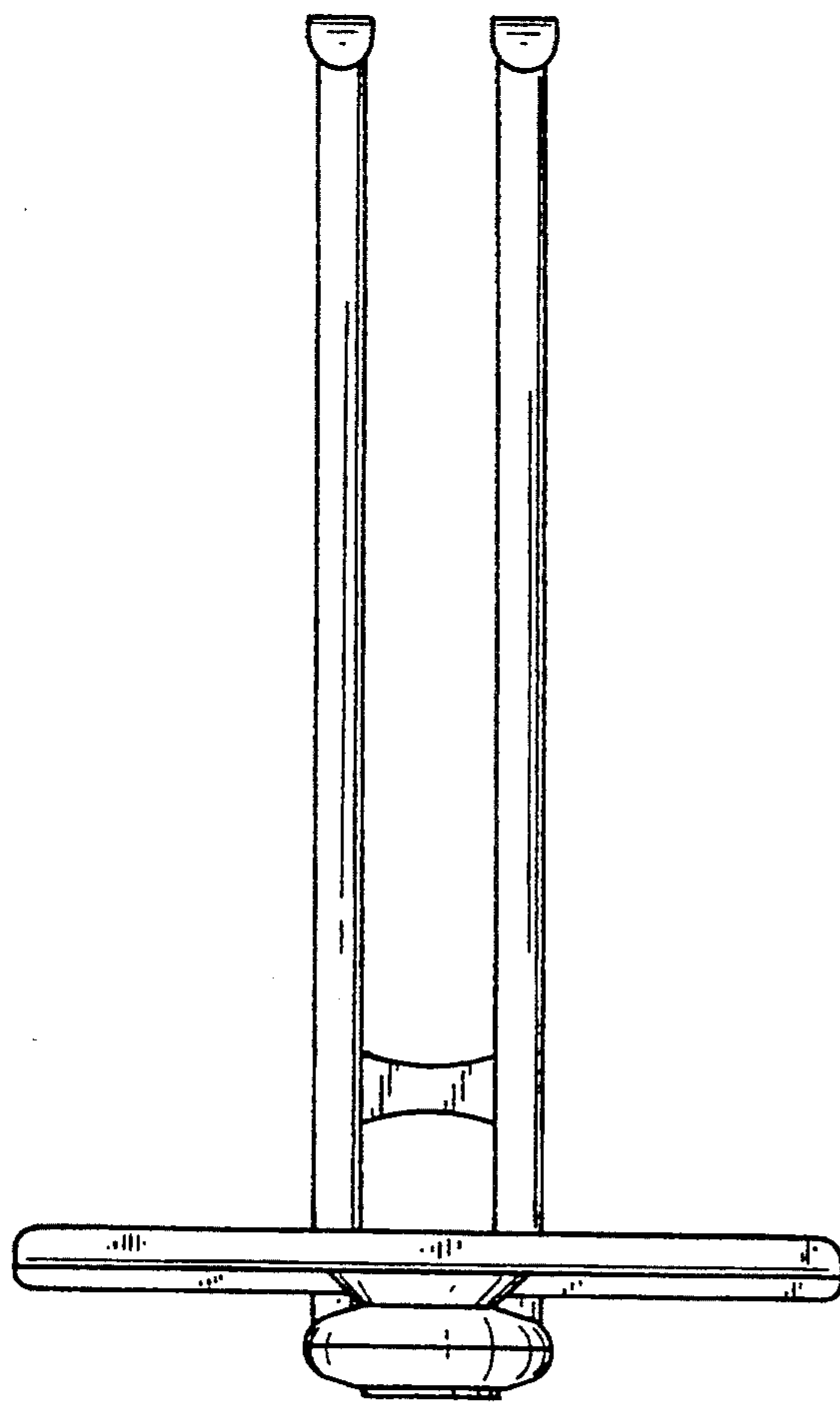


FIG. 4

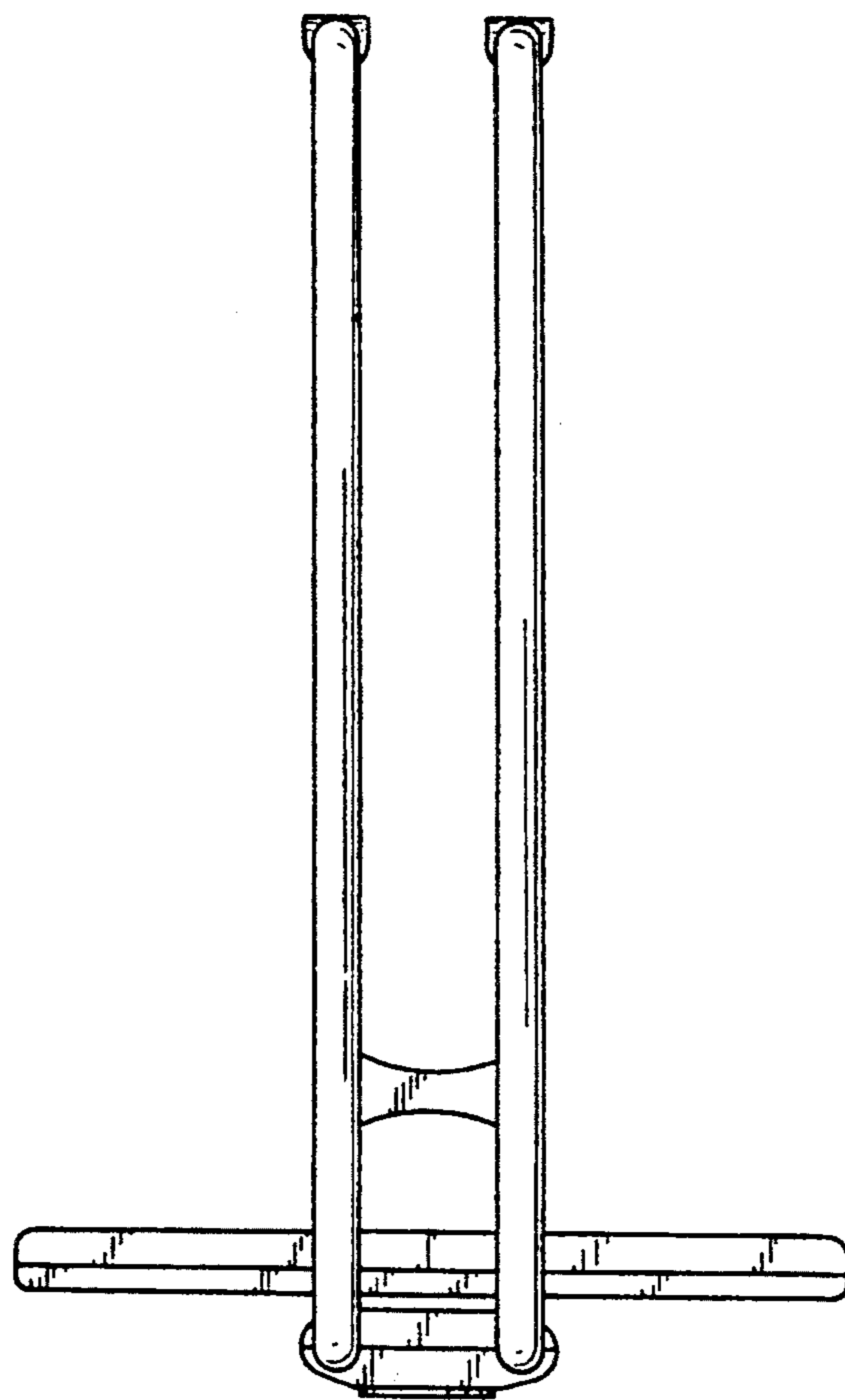


FIG. 5

FIG. 6

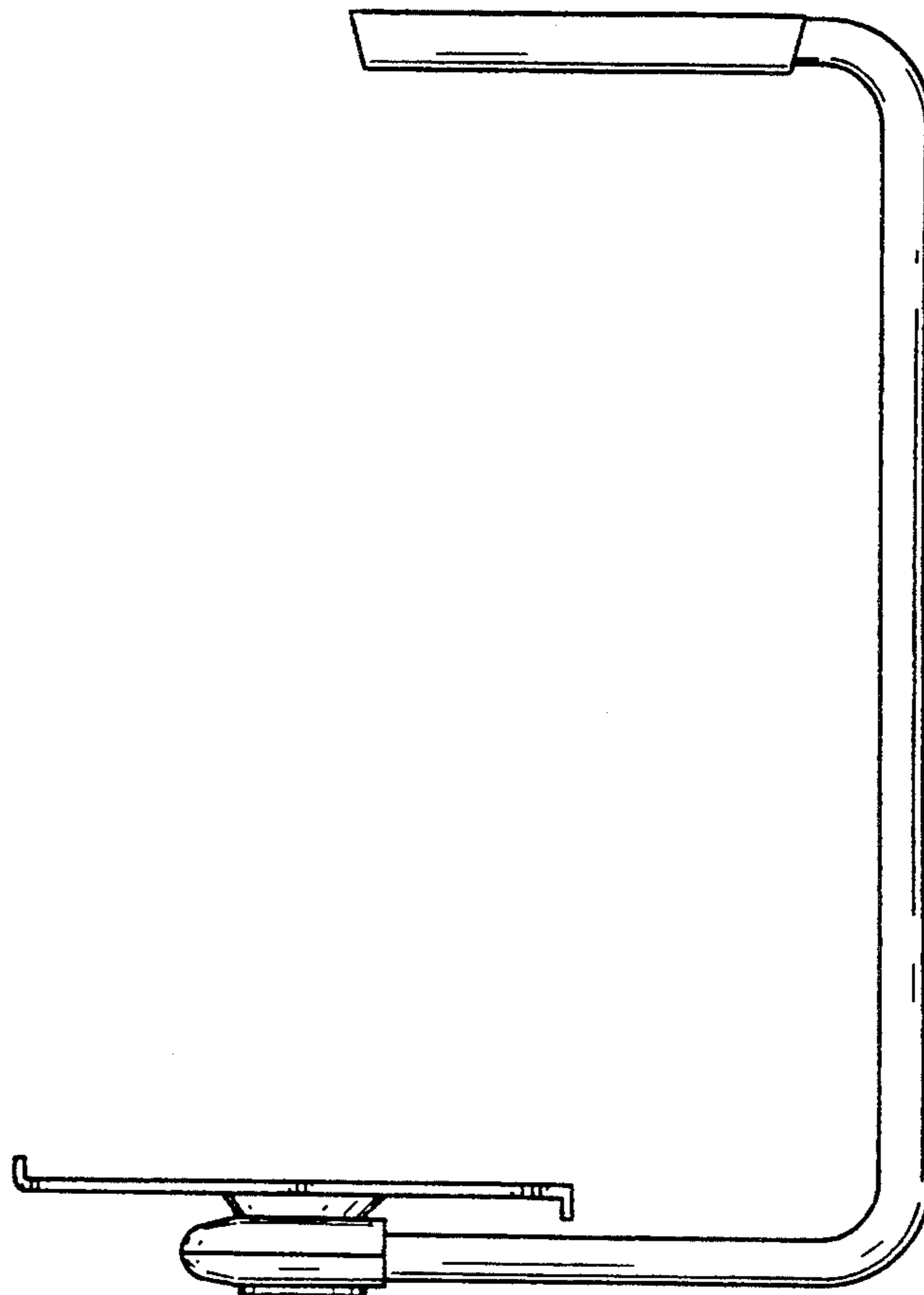


FIG. 7

