



US00D350042S

United States Patent [19] Shepherd

[11] Patent Number: **Des. 350,042**

[45] Date of Patent: **** Aug. 30, 1994**

[54] **FRONT AND TOP FOR A CABINET**

4,732,430 3/1988 Byrns D6/510 X

[75] Inventor: **Donald A. Shepherd**, Spring Lake, Mich.

[73] Assignee: **Meridian, Inc.**, Zeeland, Mich.

[**] Term: **14 Years**

[21] Appl. No.: **1,919**

[22] Filed: **Nov. 24, 1992**

Related U.S. Application Data

[62] Division of Ser. No. 694,280, May 1, 1991, Pat. No. Des. 341,737.

[52] U.S. Cl. **D6/509; D6/492; D6/510**

[58] **Field of Search** D6/491-494, D6/509, 510, 422, 432, 446; 312/330.1, 248.1, 348.4, 326

[56] References Cited

U.S. PATENT DOCUMENTS

- D. 149,763 5/1948 Ketchum, Jr. et al. D6/446
- D. 170,965 12/1953 Claus D6/446
- D. 200,962 4/1965 McCarthy D6/494
- D. 276,674 12/1984 Gwathmey et al. D6/446
- D. 277,625 2/1985 Hannah D6/422

OTHER PUBLICATIONS

SCAN, rear cover, 4 drawer dresser in center. *Interiors—Aug. 1982, p. 31, Credenza in rear.*
The Stylist—Autumn 1952, Credenza in rear.

Primary Examiner—Nelson C. Holtje
Assistant Examiner—J. E. Seeger
Attorney, Agent, or Firm—William Brinks Hofer Gilson & Lione

[57] CLAIM

The ornamental design for a front and top for a cabinet, as shown and described.

DESCRIPTION

FIG. 1 is a perspective view of a front and top for a cabinet showing my new design; FIG. 2 is a perspective view of a front and top for a cabinet showing a second embodiment of my new design; FIG. 3 is a perspective view showing a third embodiment of my new design; and, FIG. 4 is a cross-sectional view showing the door handles in greater detail. The broken lines are for environmental purposes only and form no part of the claimed design.

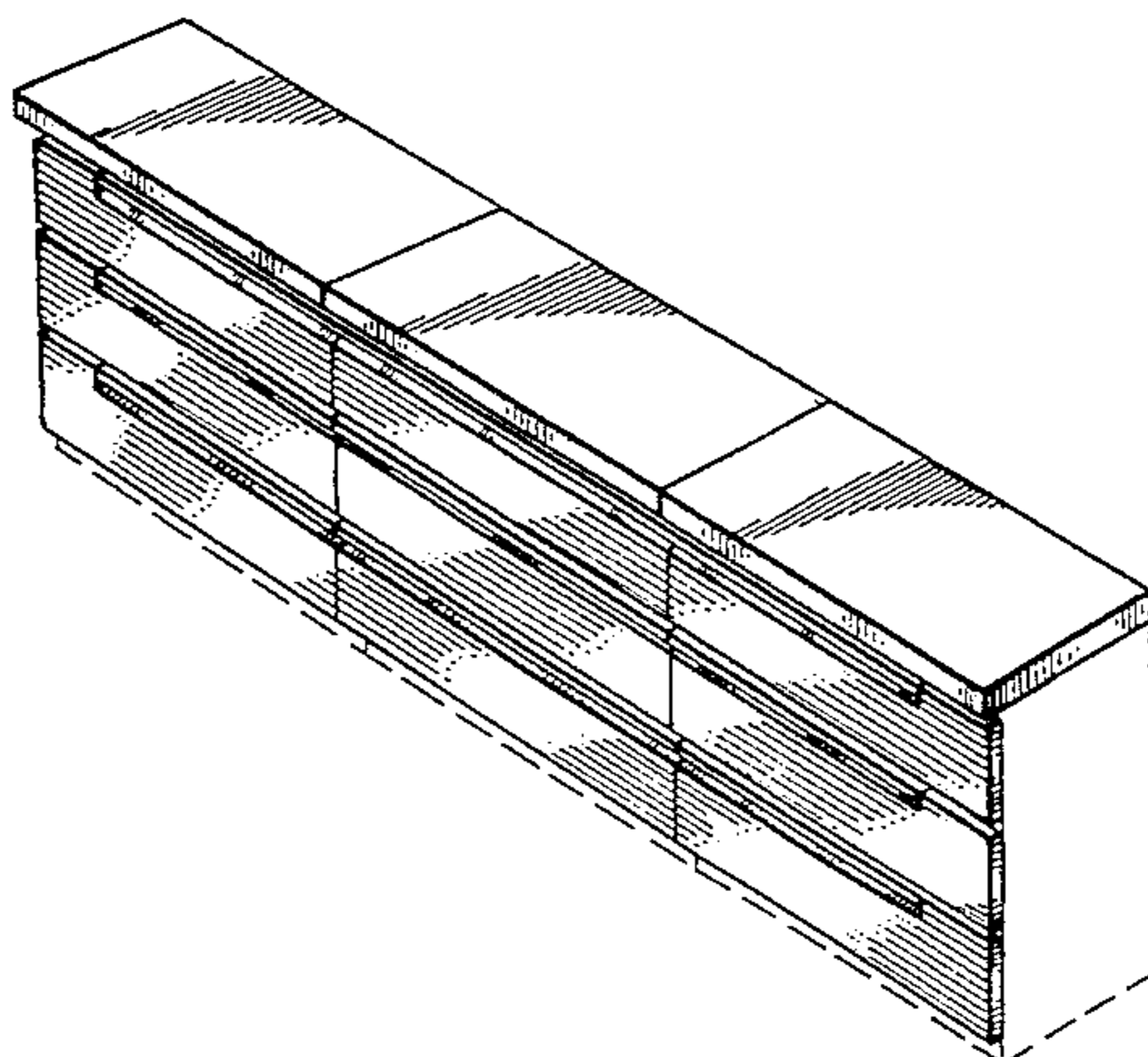
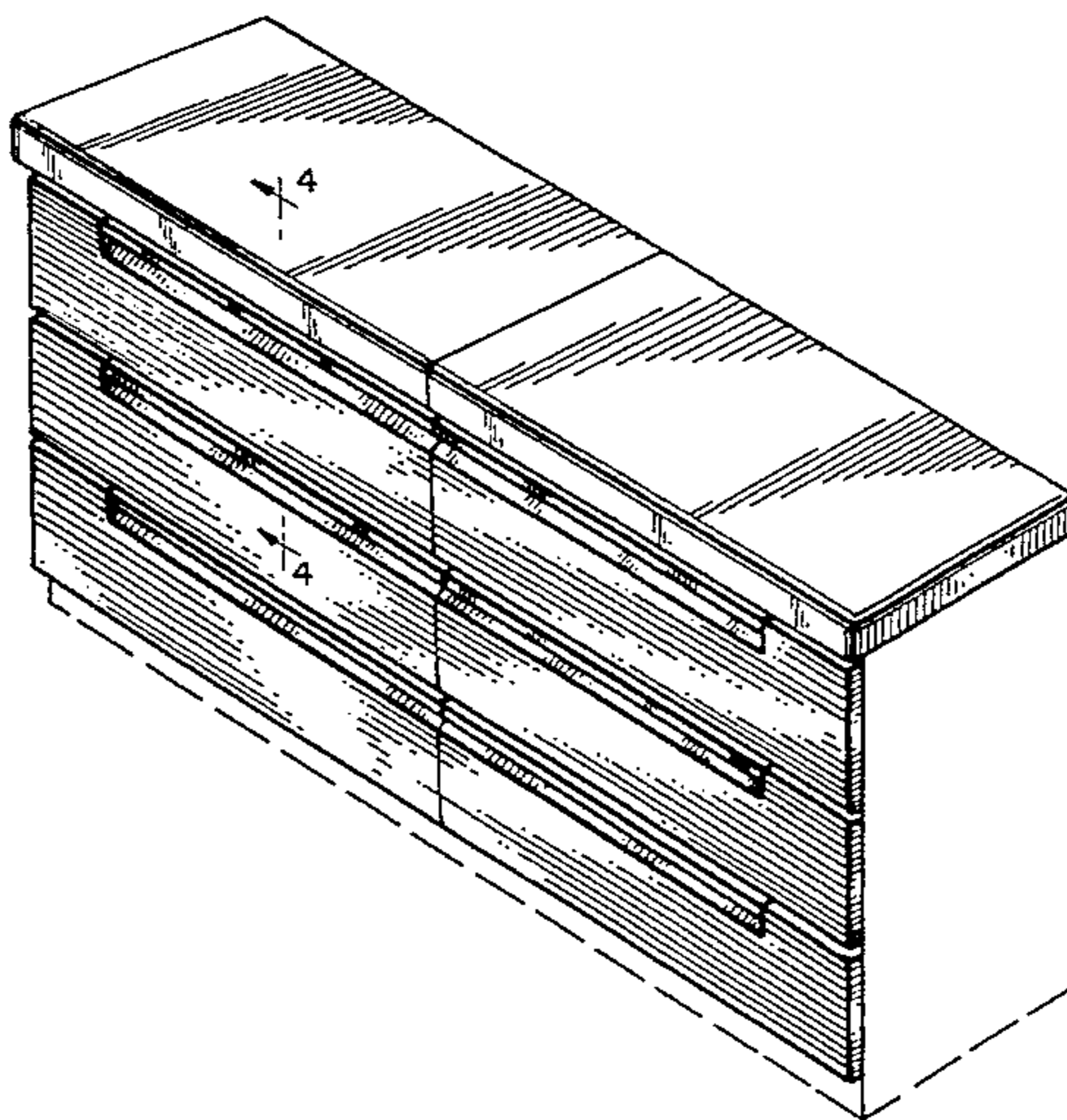


FIG. 4

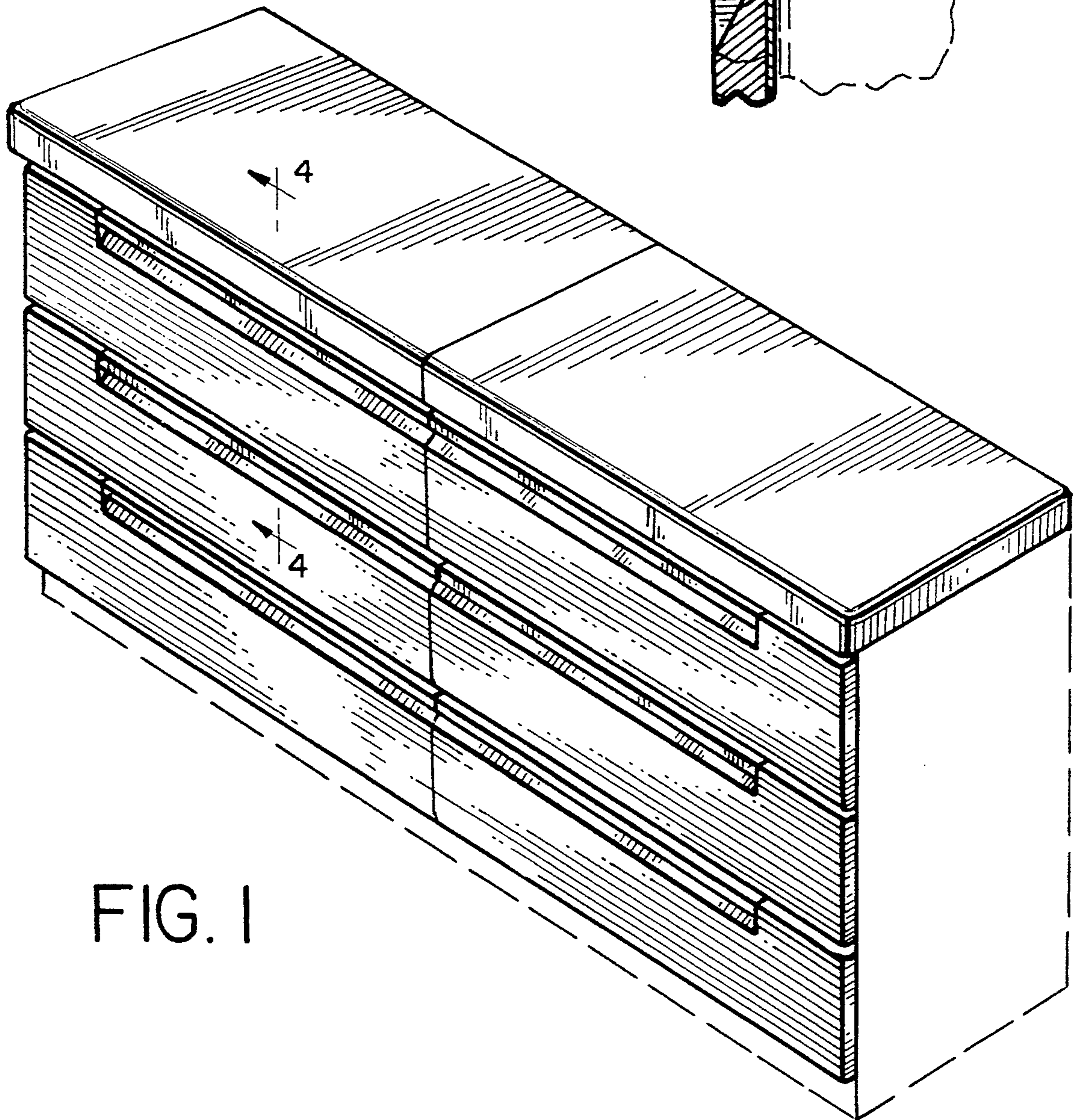
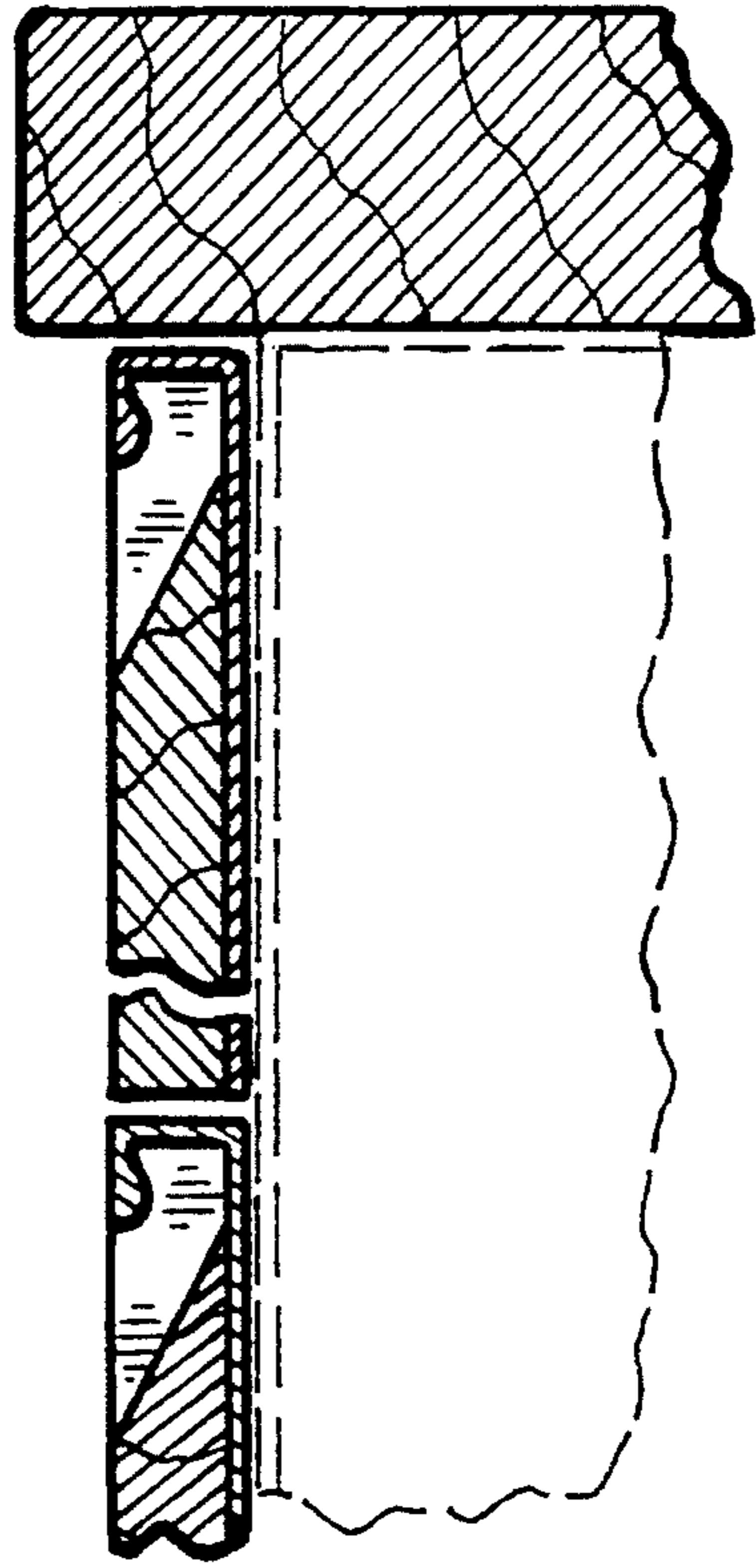


FIG. 1

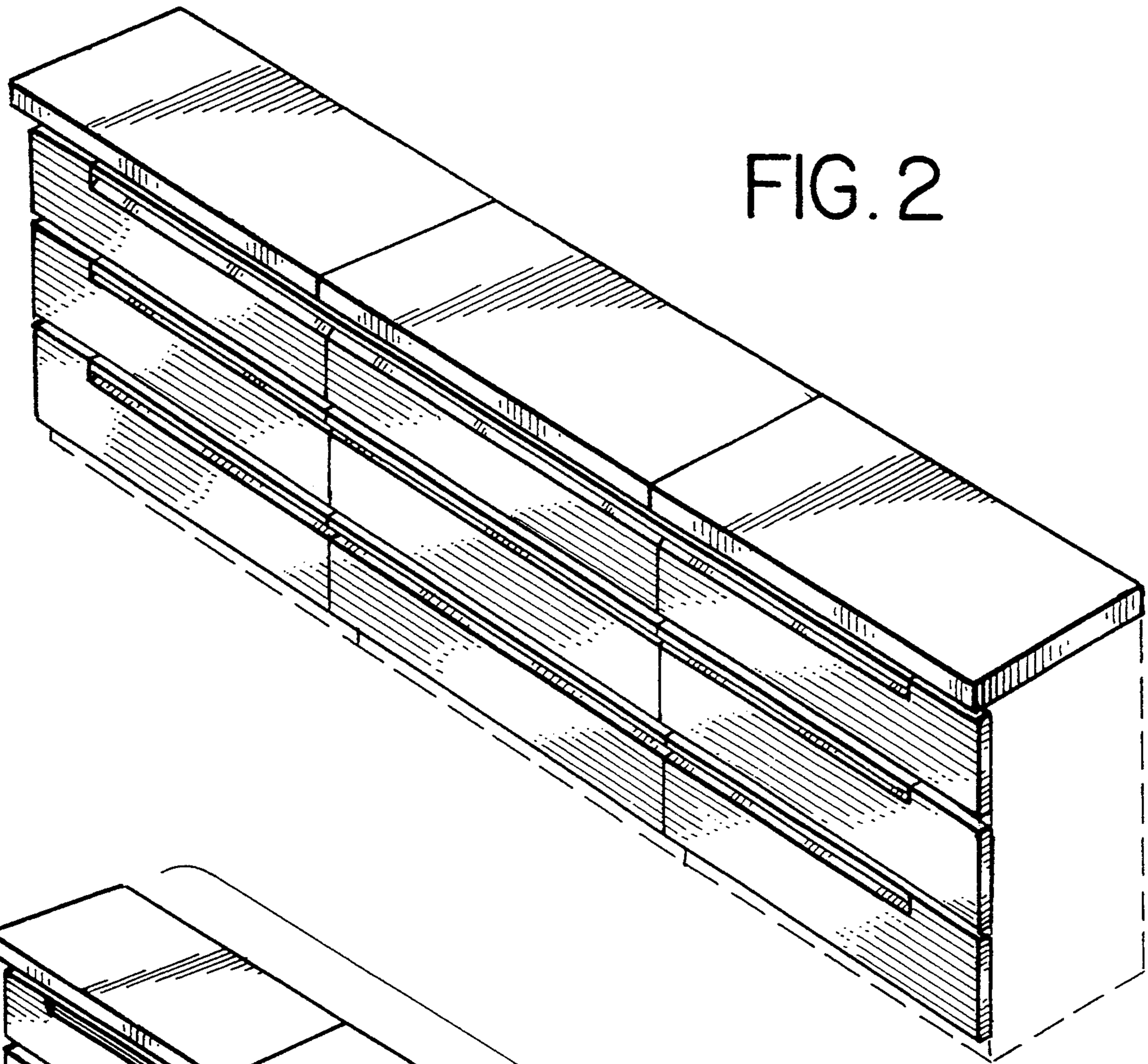


FIG. 2

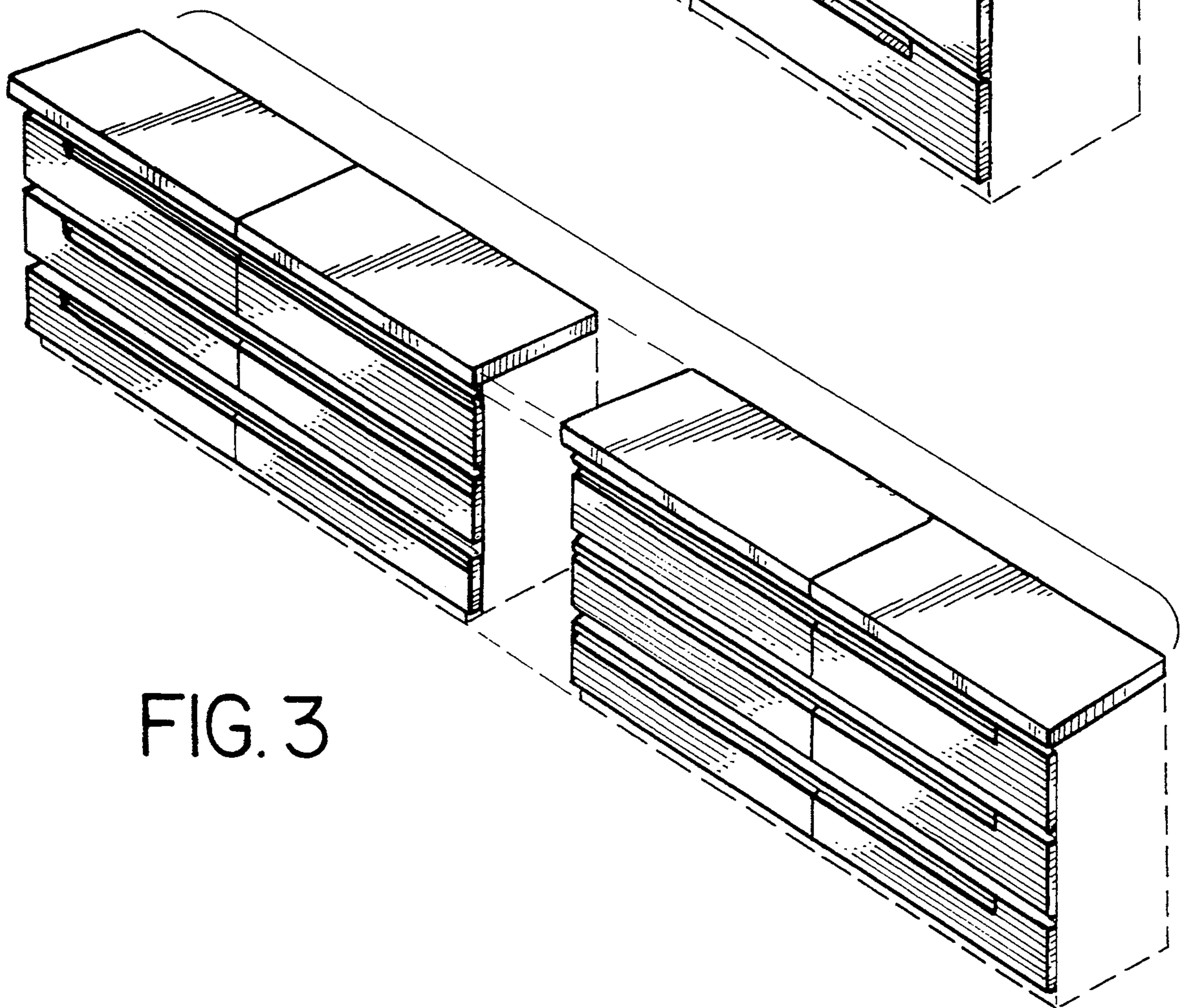


FIG. 3