



US00D350039S

# United States Patent [19]

[11] Patent Number: **Des. 350,039**

Gener

[45] Date of Patent: **\*\* Aug. 30, 1994**

[54] BOTTLE STAND

[76] Inventor: **Albert M. Gener, 8671 N.W. 66 St., Miami, Fla. 33166**

[\*\*] Term: **14 Years**

[21] Appl. No.: **10,840**

[22] Filed: **Jul. 19, 1993**

[52] U.S. Cl. .... **D6/466; D7/619**

[58] Field of Search ..... **D7/619; D6/466, 465, D6/467**

D. 288,411	2/1987	Castellanet .....	D9/455
D. 289,722	5/1987	Neiser .....	D7/70
D. 290,673	7/1987	Imatt .....	D7/619
D. 307,225	4/1990	Freidenfelds .....	D7/70
D. 329,781	9/1992	Ito .....	D7/619
D. 330,147	10/1992	Garber .....	D7/619
4,482,065	11/1984	Altemose .....	211/74
4,494,788	1/1985	Altemose .....	294/161
4,496,124	1/1985	Cole .....	D7/619 X
4,971,209	11/1990	Todd .....	211/74

### OTHER PUBLICATIONS

Registrierungstidnig Mönster, M446/1992, May 27, 1992.

*Primary Examiner*—Alan P. Douglas

*Assistant Examiner*—S. Snapp

### [56] References Cited

#### U.S. PATENT DOCUMENTS

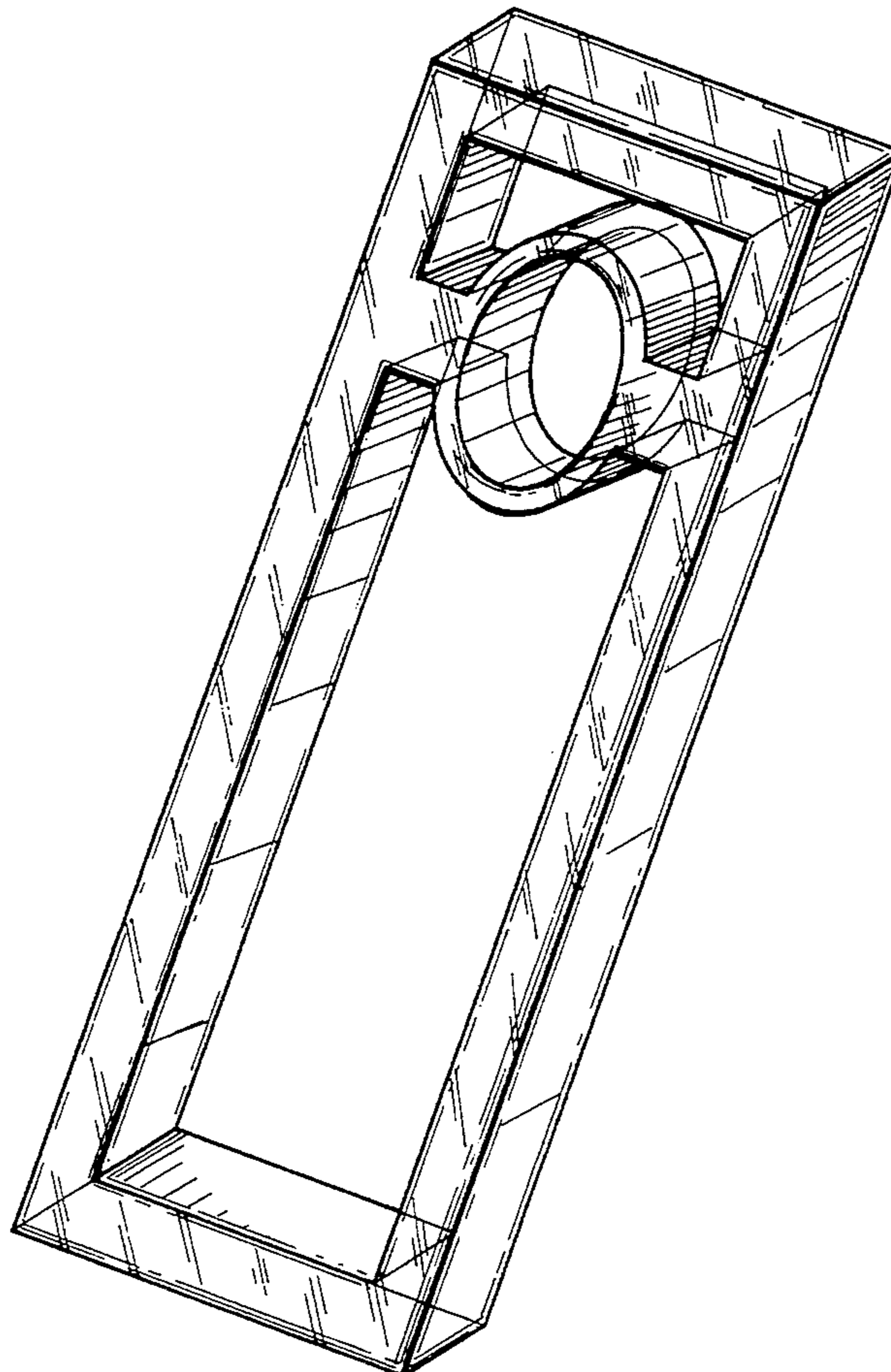
D. 201,695	7/1965	Bieger .....	D44/10
D. 210,897	4/1968	Anglada .....	D44/10
D. 219,058	10/1970	Kaczur .....	D7/99
D. 222,950	2/1972	Majewski .....	D7/99
D. 224,435	7/1972	Stravitz .....	D6/99
D. 228,529	10/1973	Bates .....	D24/4
D. 229,732	1/1974	Majewski .....	D6/4
D. 230,242	2/1974	Bentley .....	D6/4
D. 232,284	8/1974	4Shuck .....	6/4
D. 236,410	8/1975	Natick .....	D7/99
D. 247,533	3/1978	Noyes .....	D6/113
D. 252,004	6/1979	Leventhal .....	D7/70
D. 267,309	12/1992	Eriksson et al. ....	D7/70

### [57] CLAIM

The ornamental design for a bottle stand, as shown.

### DESCRIPTION

FIG. 1 is a top plan view;  
 FIG. 2 is a left side elevational view;  
 FIG. 3 is a right side elevational view;  
 FIG. 4 is a front elevational view;  
 FIG. 5 is a rear elevational view;  
 FIG. 6 is a bottom plan view; and,  
 FIG. 7 is a perspective view.

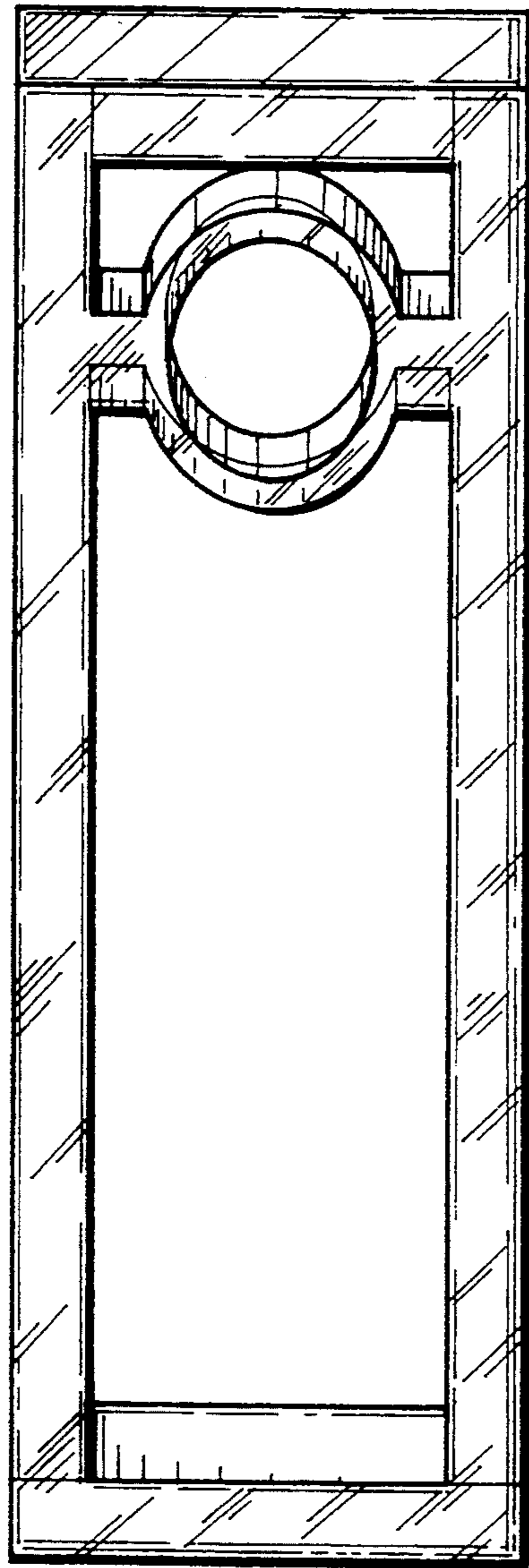




*Fig. 5*



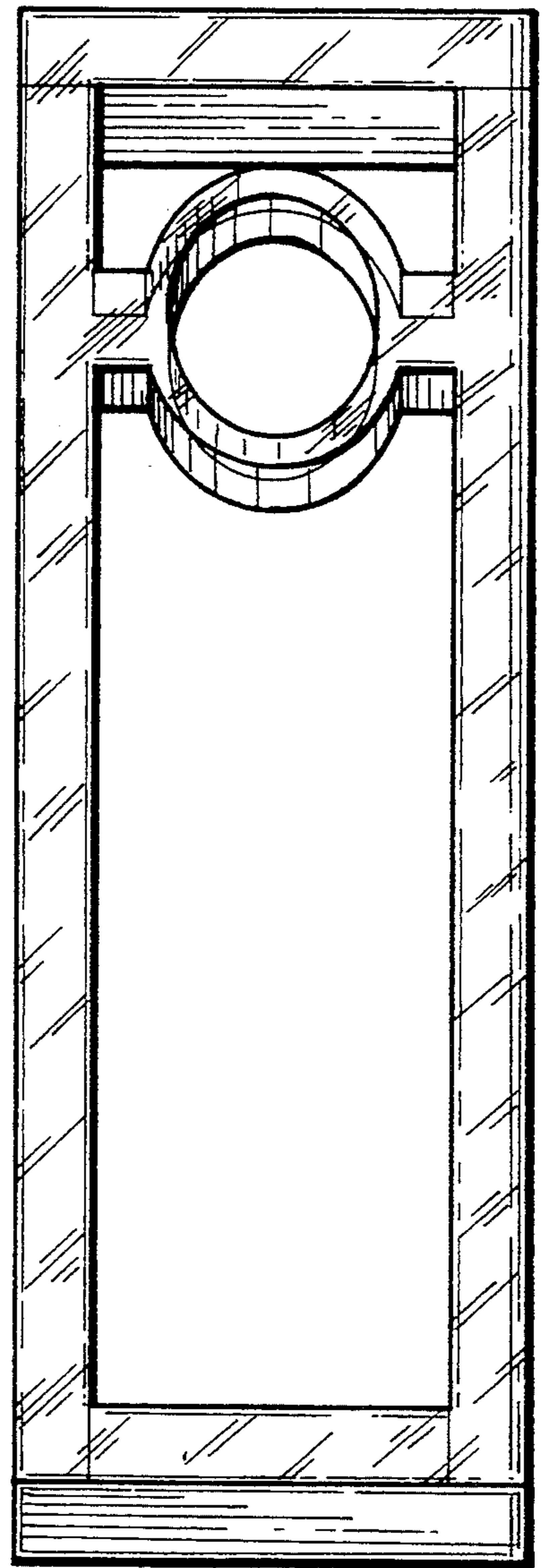
*Fig. 2*



*Fig. 1*



*Fig. 3*

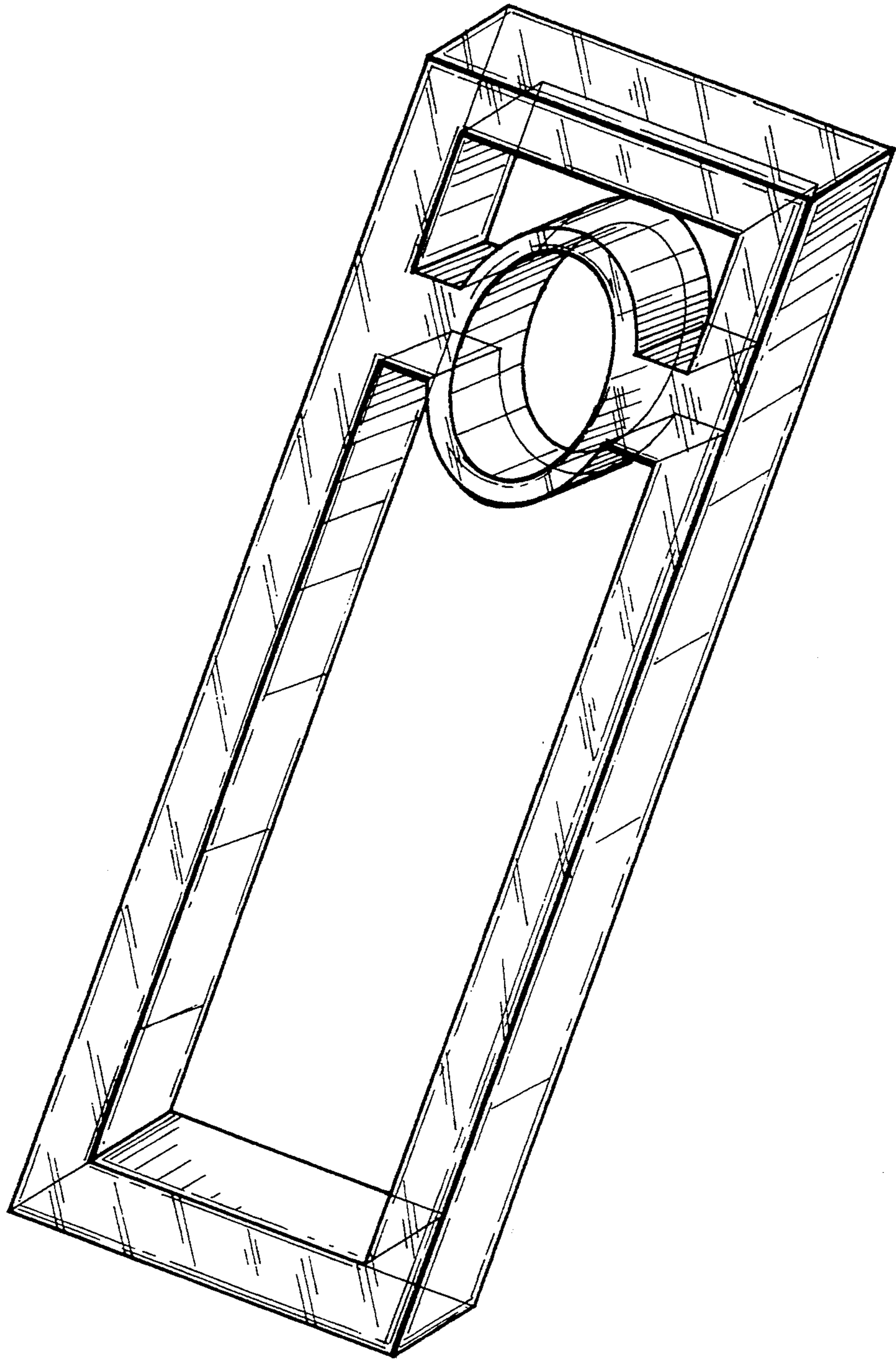


*Fig. 6*



*Fig. 4*





*Fig. 7*