



US00D350035S

United States Patent [19]

[11] Patent Number: **Des. 350,035**

Stacey

[45] Date of Patent: **** Aug. 30, 1994**

[54] CAMPER BOX

[76] Inventor: **Alan Stacey**, Box 5, Grp. 7, RR1,
East Selkirk, Manitoba R0E-0M0,
Canada

[**] Term: **14 Years**

[21] Appl. No.: **2,708**

[22] Filed: **Dec. 17, 1992**

[52] U.S. Cl. **D6/397; D23/286;
D3/274**

[58] Field of Search **D3/70, 74, 77, 78, 272,
D3/273, 274, 276; 190/18 A, 104, 112, 108,
115, 119; 4/239, 478, 483, 484; 220/4.28, 334,
404; D6/329, 396, 334, 397, 500, 398; 206/541;
312/241; D23/270, 271, 286, 299, 309**

[56] **References Cited**

U.S. PATENT DOCUMENTS

D. 167,733	9/1952	Anderson	D6/397
D. 233,717	11/1974	Stewart	D3/70 X
D. 339,231	9/1993	Perry	D3/276 X
313,597	3/1885	Jolliffe	D23/299 X
736,871	8/1903	O'Brien	190/104 X

954,121	4/1910	Matter	D23/286 X
1,947,940	2/1934	Isom	4/478
2,117,166	5/1938	Hests	D3/70 X
3,693,193	9/1972	May	4/484

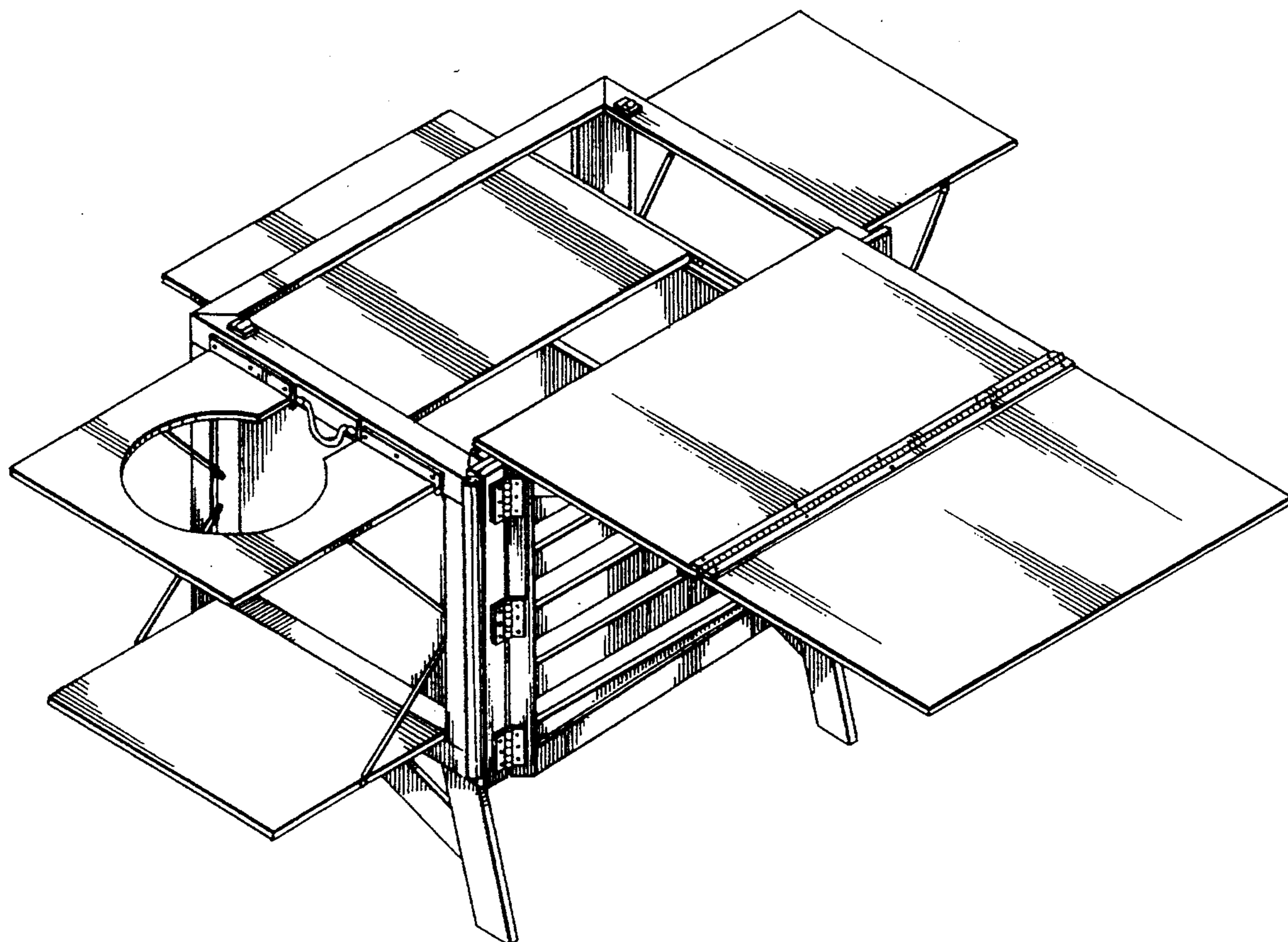
Primary Examiner—Bernard Ansher
Assistant Examiner—Paula Mortimer
Attorney, Agent, or Firm—Marks & Clerk

[57] CLAIM

The ornamental design for a camper box, as shown and described.

DESCRIPTION

FIG. 1 is a front perspective view of the camper box from the left side thereof;
FIG. 2 is a rear perspective view of the camper box from the left side thereof;
FIG. 3 is an underneath view of the camper box;
FIG. 4 is a rear perspective view of the camper box in the open position;
FIG. 5 is a front perspective view of the camper box in the open position; and,
FIG. 6 is a plan view of the camper box in the open position.



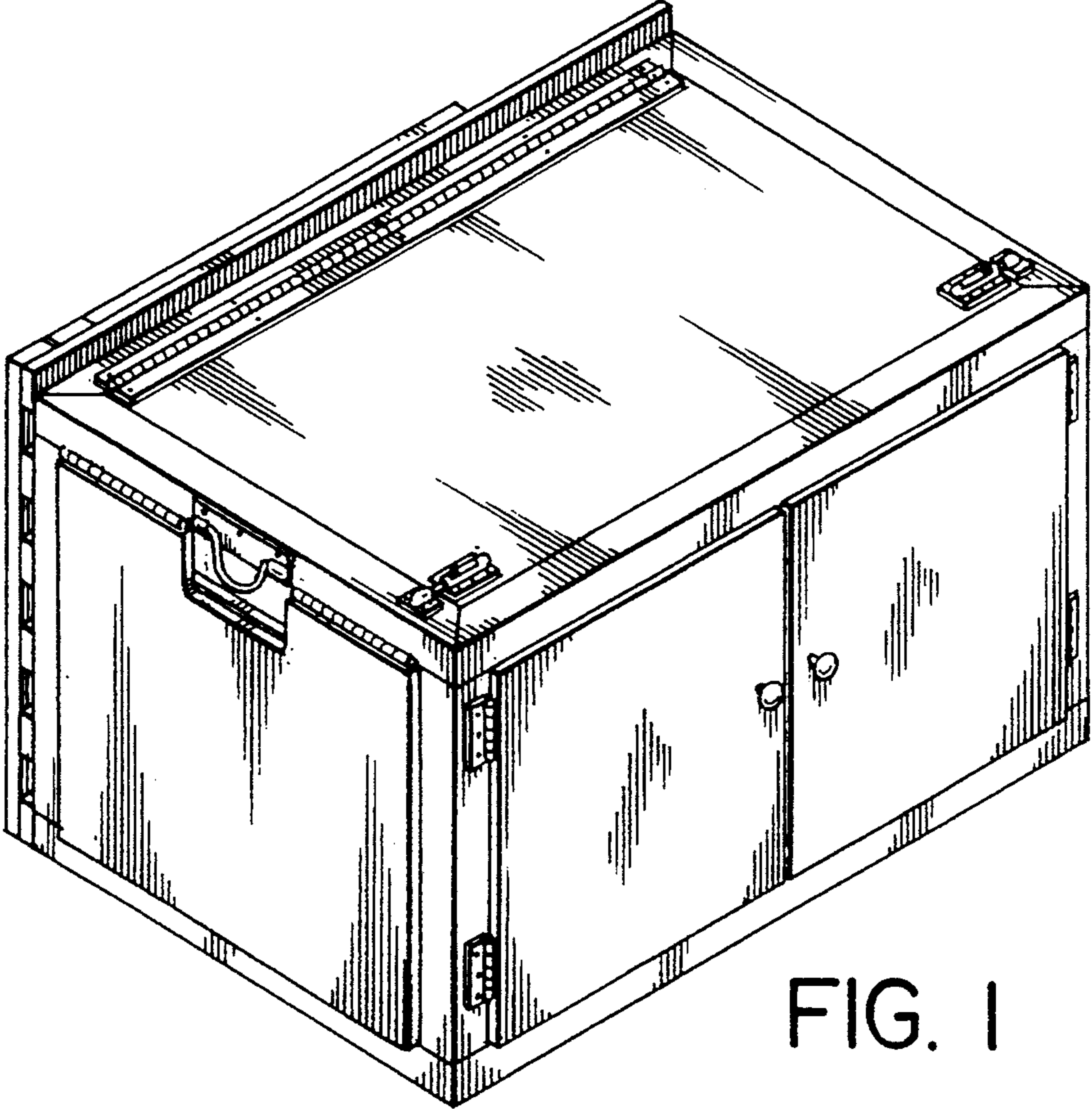


FIG. 1

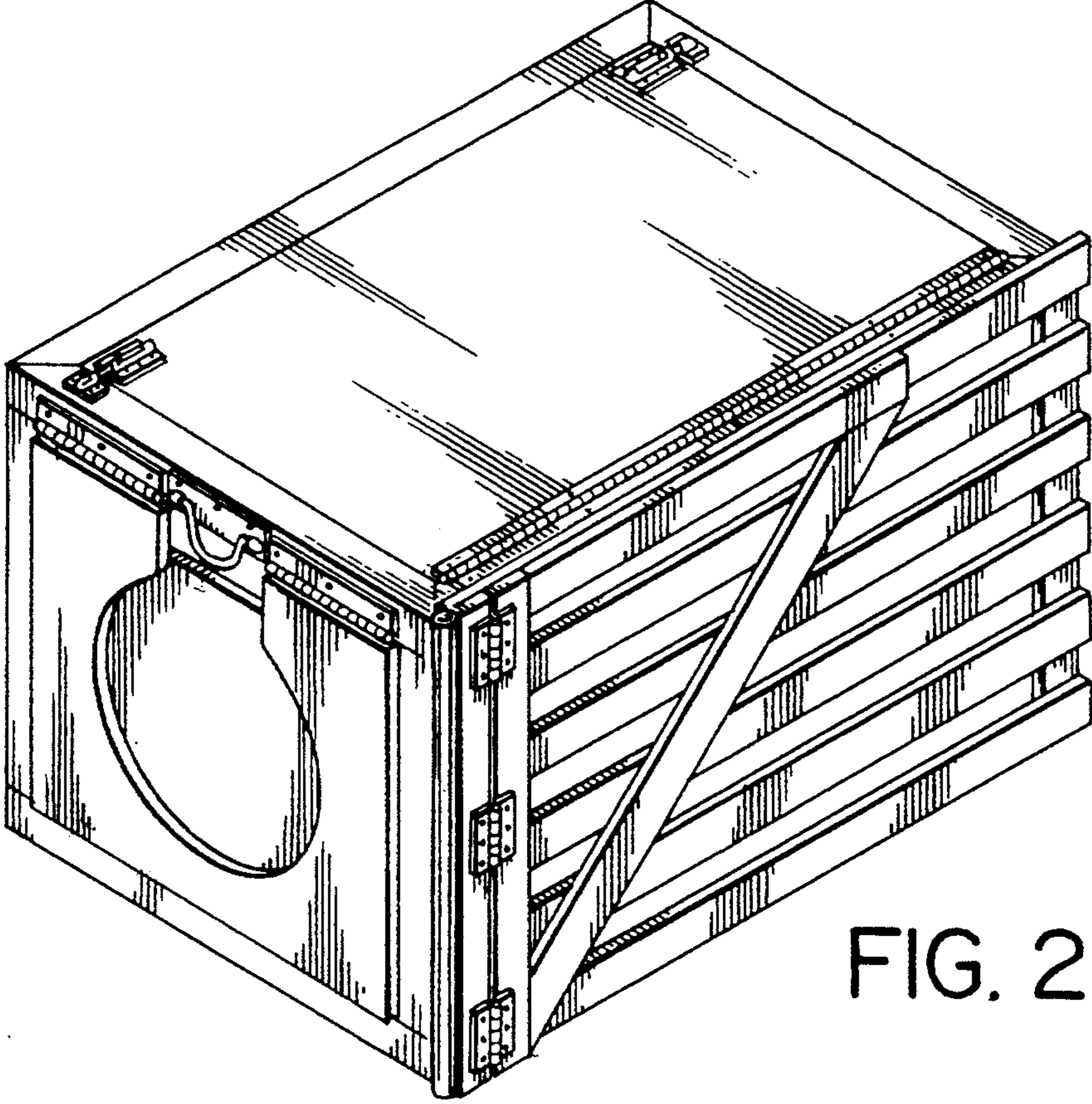


FIG. 2

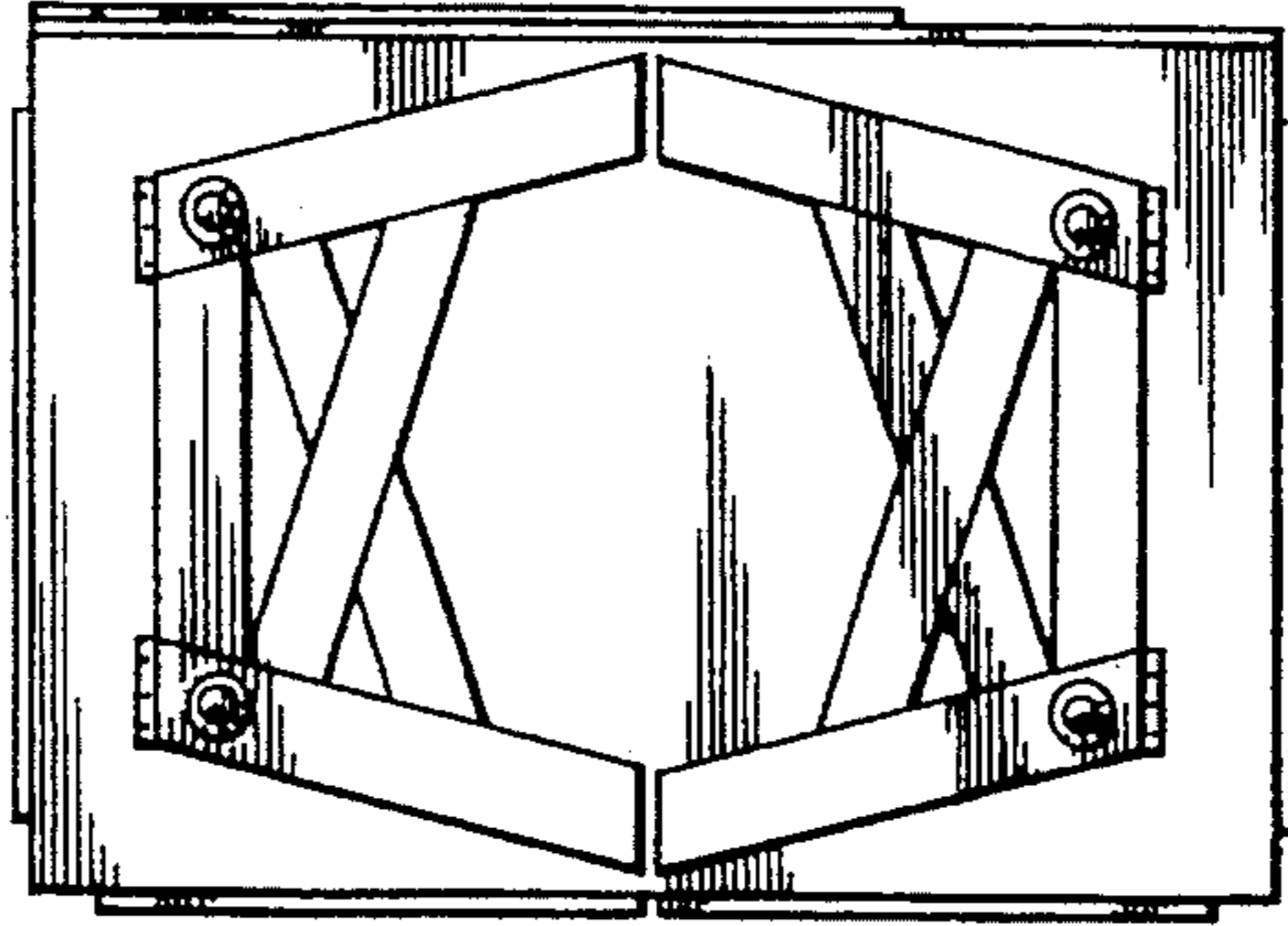


FIG. 3

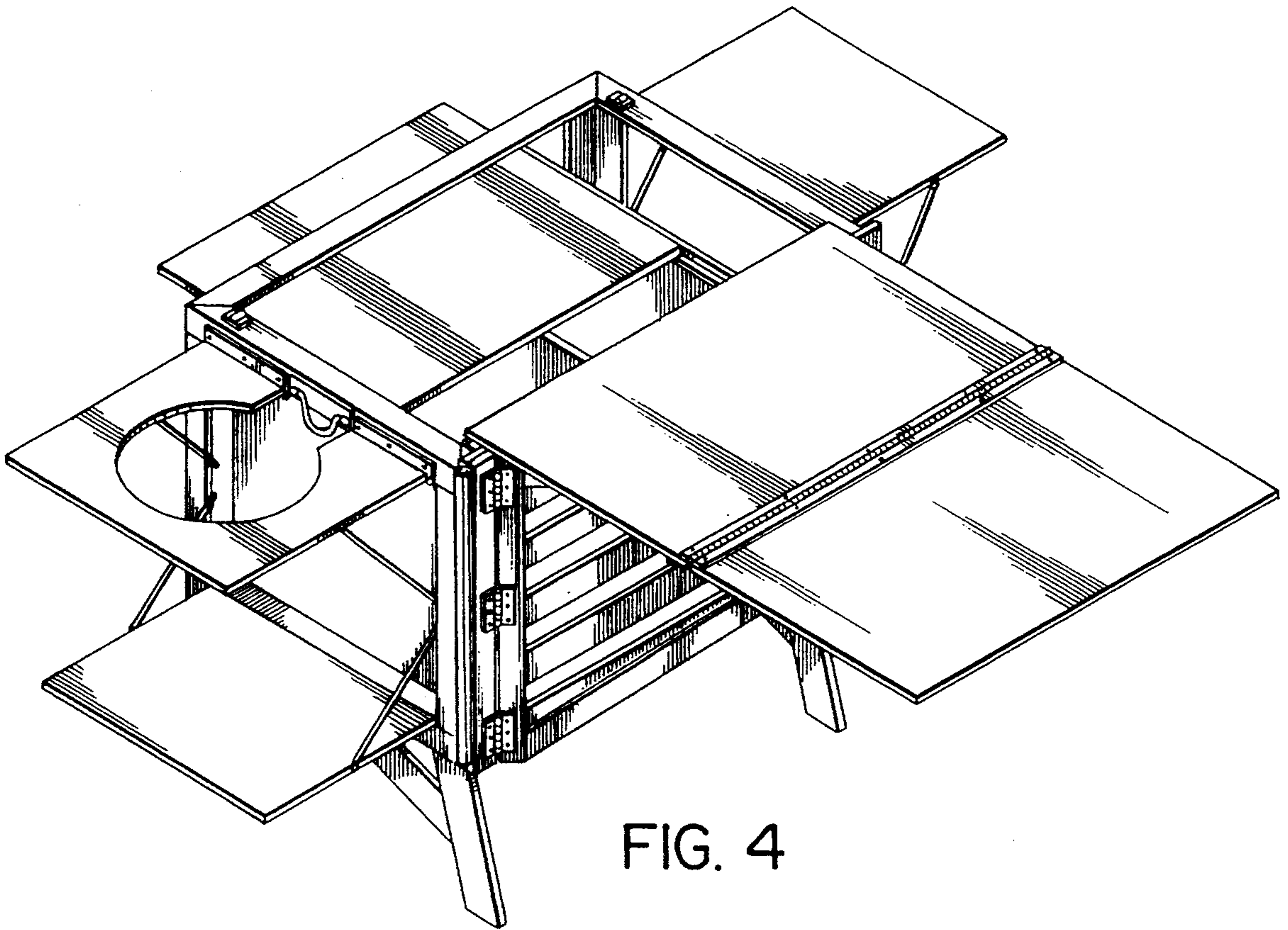


FIG. 4

