



US00D350032S

United States Patent [19]

[11] Patent Number: **Des. 350,032**

Beaulieu

[45] Date of Patent: **** Aug. 30, 1994**

[54] **CHAIR**

[76] Inventor: **Jocelyn Beaulieu**, 156 Brammar St.,
Newmarket, Ontario, Canada

[**] Term: **14 Years**

[21] Appl. No.: **828,822**

[22] Filed: **Jan. 31, 1992**

[52] U.S. Cl. **D6/366**

[58] Field of Search **D6/334, 365, 366, 374,**
D6/375, 379, 498, 500, 501, 502; 297/411

[56] **References Cited**

U.S. PATENT DOCUMENTS

- D. 274,769 7/1984 Klier D6/366
- D. 278,869 5/1985 Bohl D6/366
- D. 309,990 8/1990 von Klier et al. D6/366

OTHER PUBLICATIONS

Domos, Jan. 1981, inside front cover, Olivetti Chair shown at top right.

Primary Examiner—Alan P. Douglas

Assistant Examiner—Gary D. Watson

[57] **CLAIM**

The ornamental design for a chair, as shown.

DESCRIPTION

FIG. 1 is a left-front perspective view of a chair showing my new design;

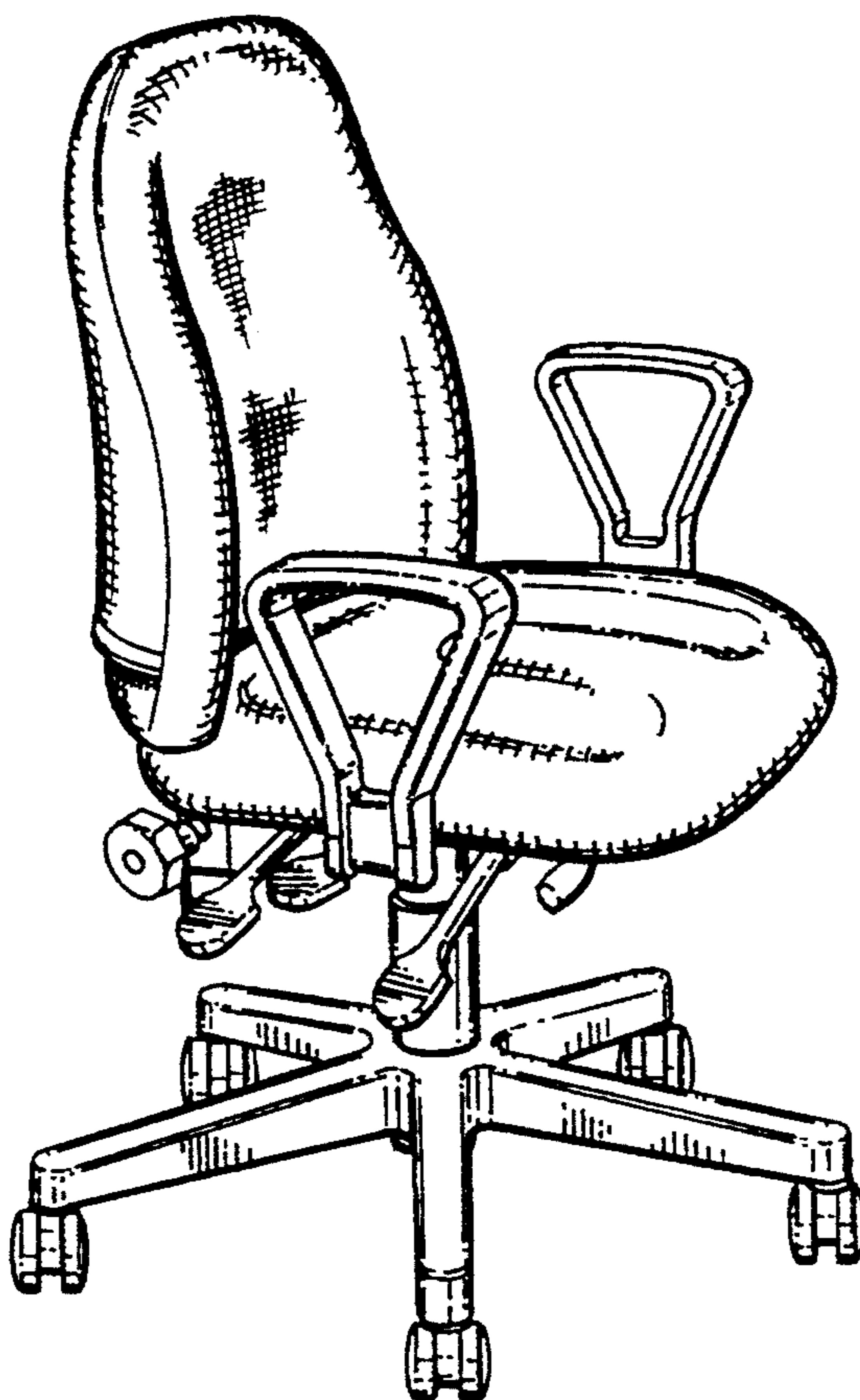
FIG. 2 is a front elevational view;

FIG. 3 is a rear elevational view;

FIG. 4 is a right side elevational view;

FIG. 5 is a left side elevational view; and,

FIG. 6 is a top plan view thereof.



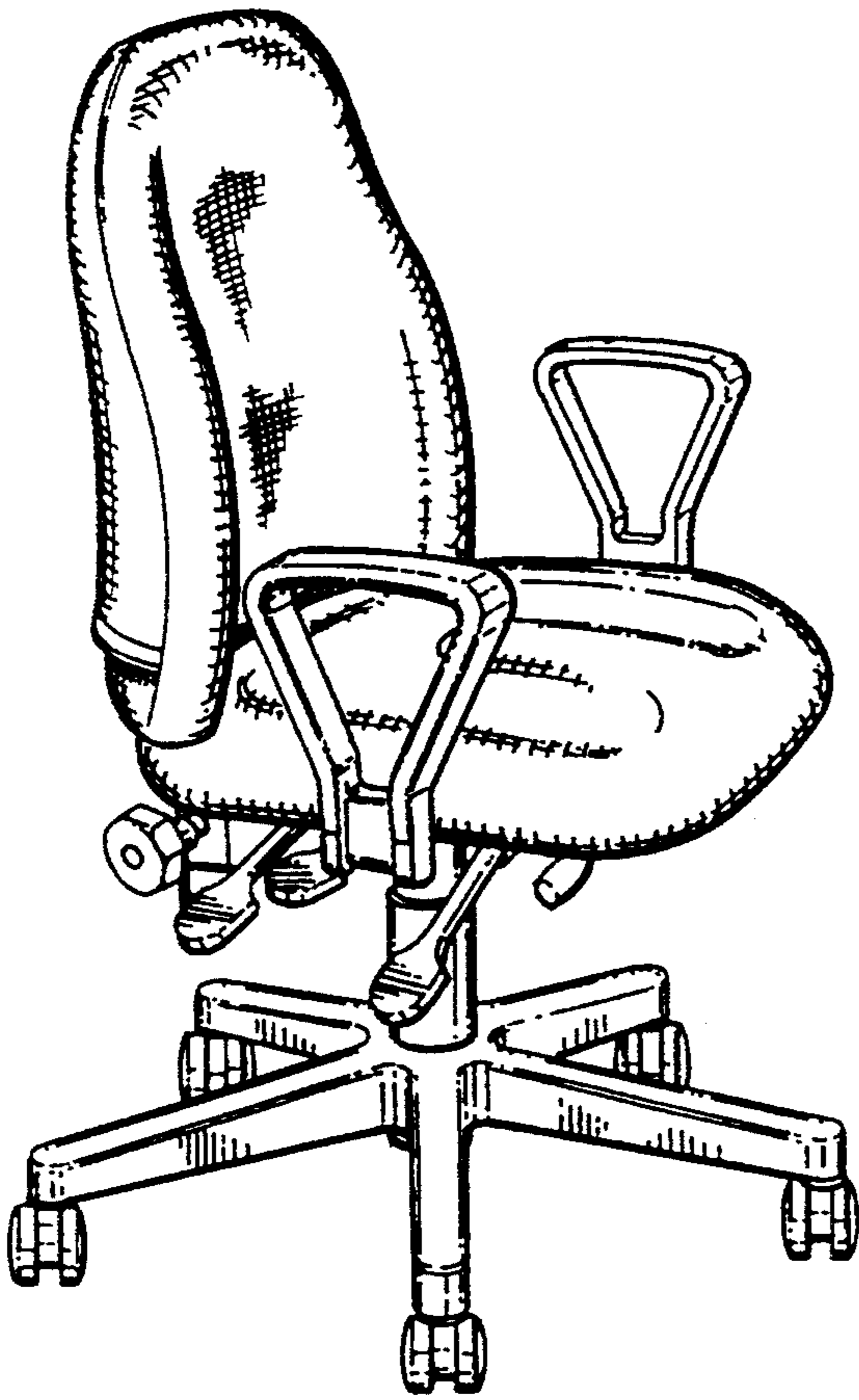


FIG.1.

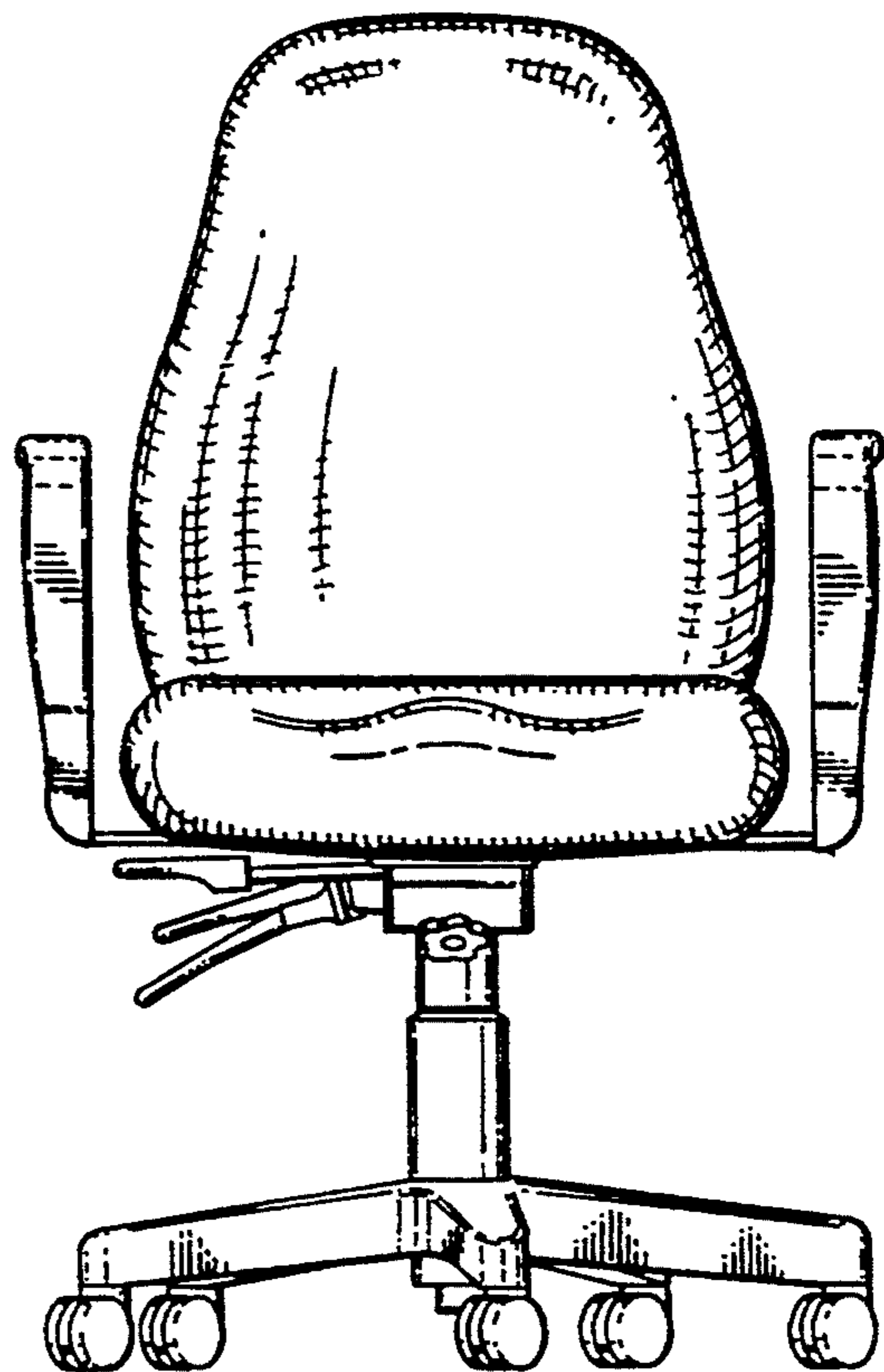


FIG.2.

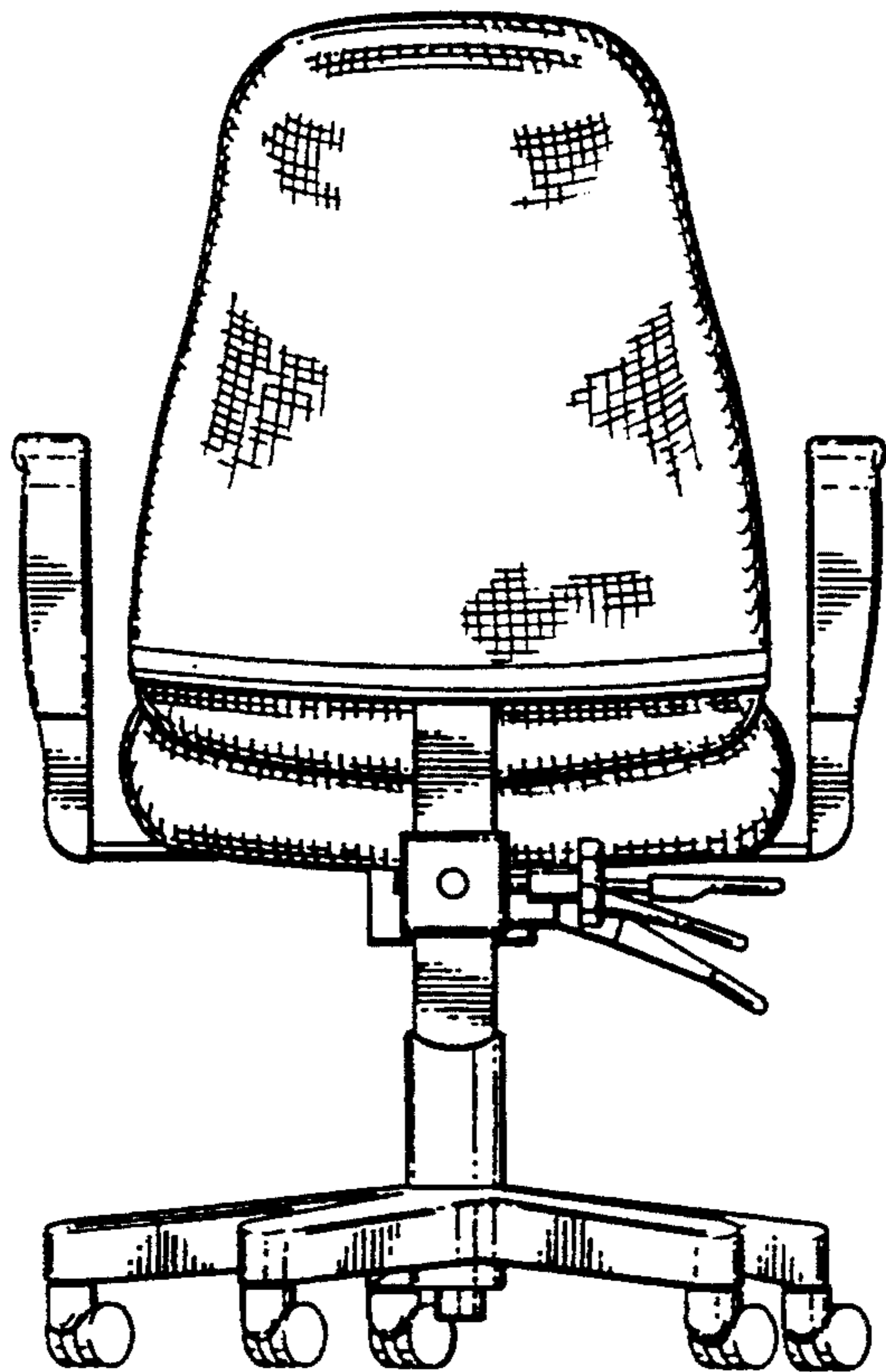


FIG. 3.

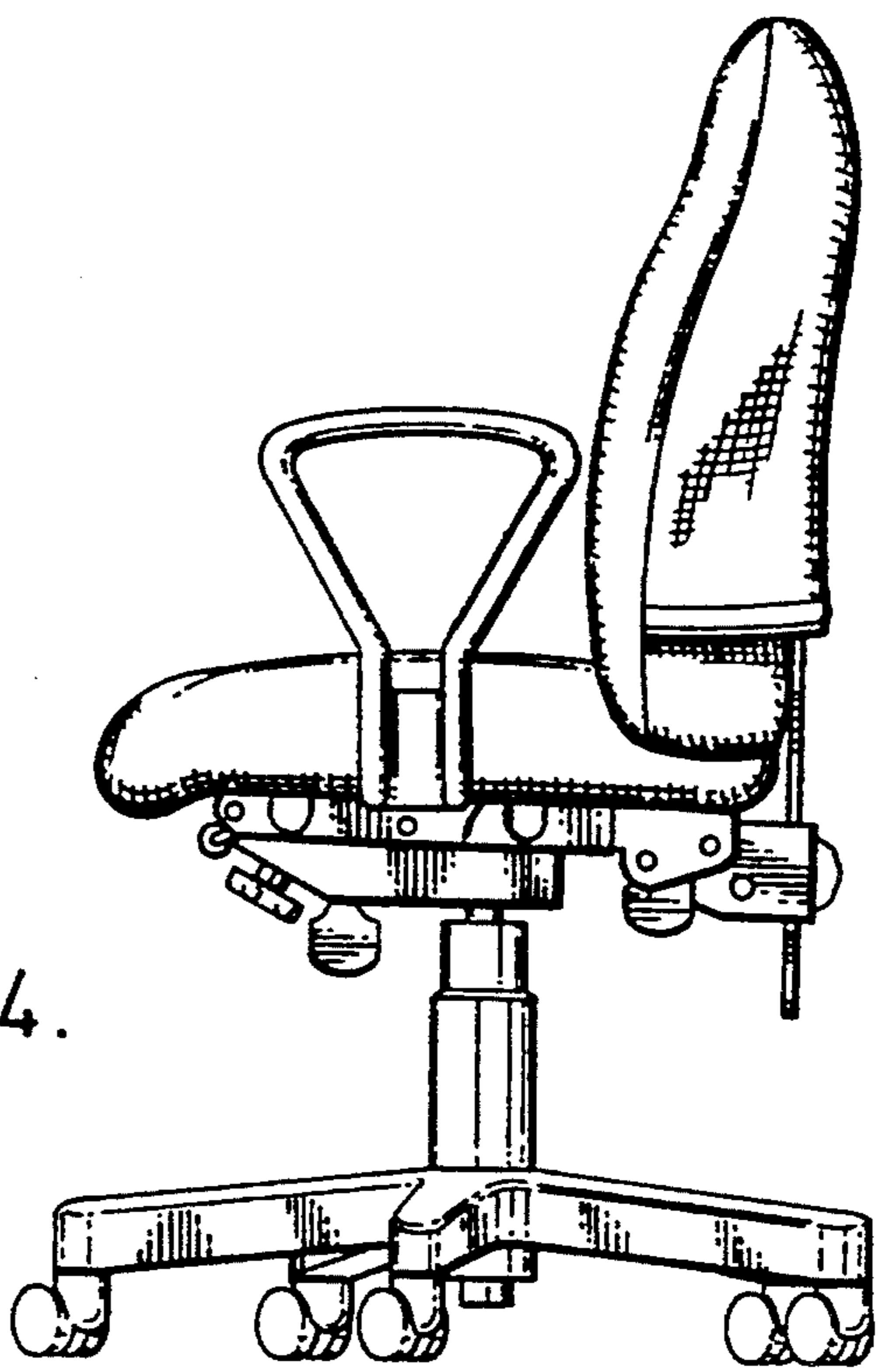


FIG. 4.

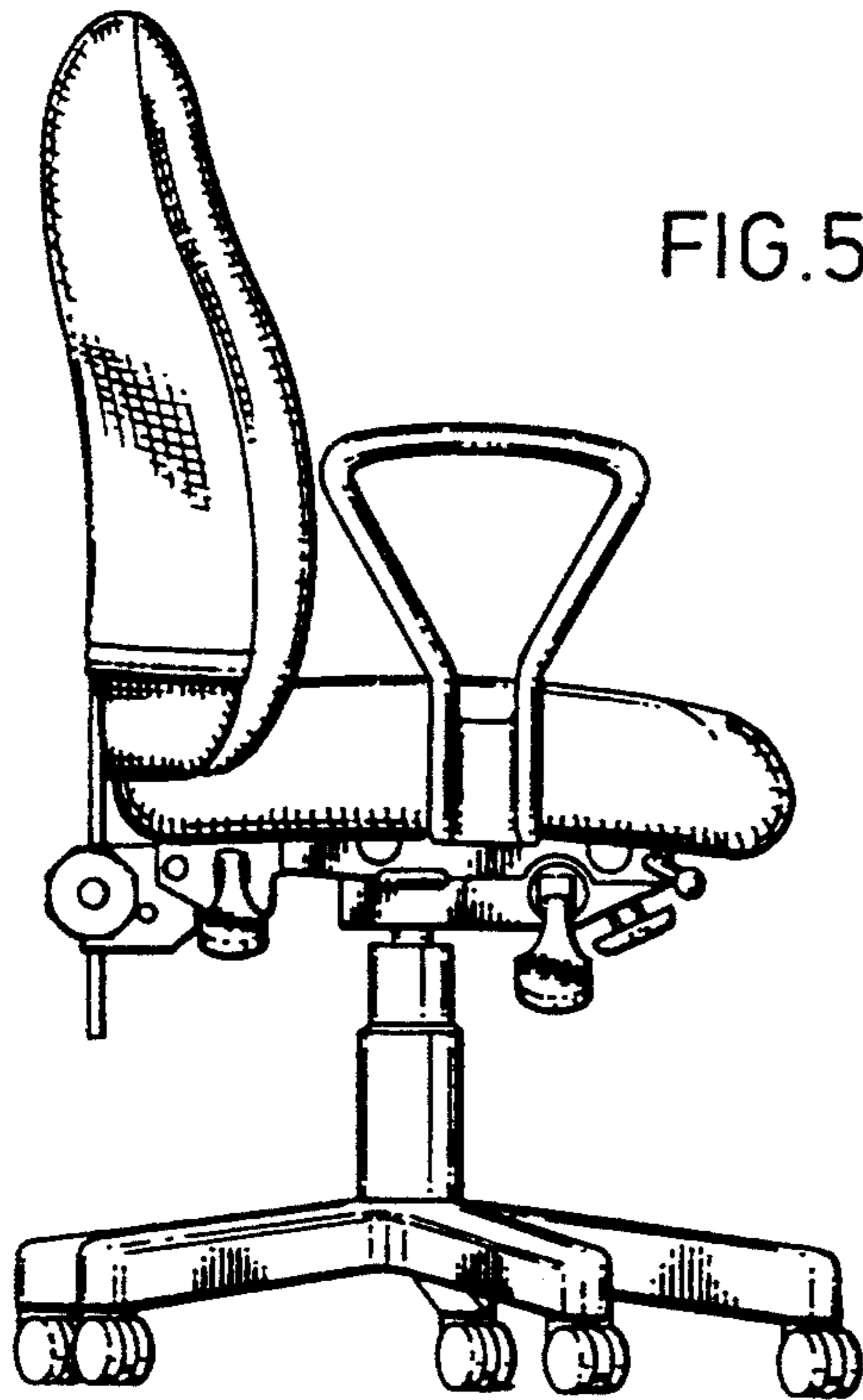


FIG. 5.

FIG. 6.

