



US00D350030S

United States Patent [19]

[11] Patent Number: **Des. 350,030**

Abrams

[45] Date of Patent: **** Aug. 30, 1994**

[54] **STEP CHAIR**

[76] Inventor: **Allan M. Abrams**, 4720 Flower Valley Dr., Rockville, Md. 20853

[**] Term: **14 Years**

[21] Appl. No.: **875,131**

[22] Filed: **Apr. 28, 1992**

[52] U.S. Cl. **D6/335; D6/334**

[58] Field of Search **D6/335, 336, 339, 350, D6/358, 369, 380; 297/118, 125, 126, 130, 150**

[56] **References Cited**

U.S. PATENT DOCUMENTS

- D. 157,697 3/1950 Peppin D6/335
- D. 166,784 4/1952 Nash D6/336

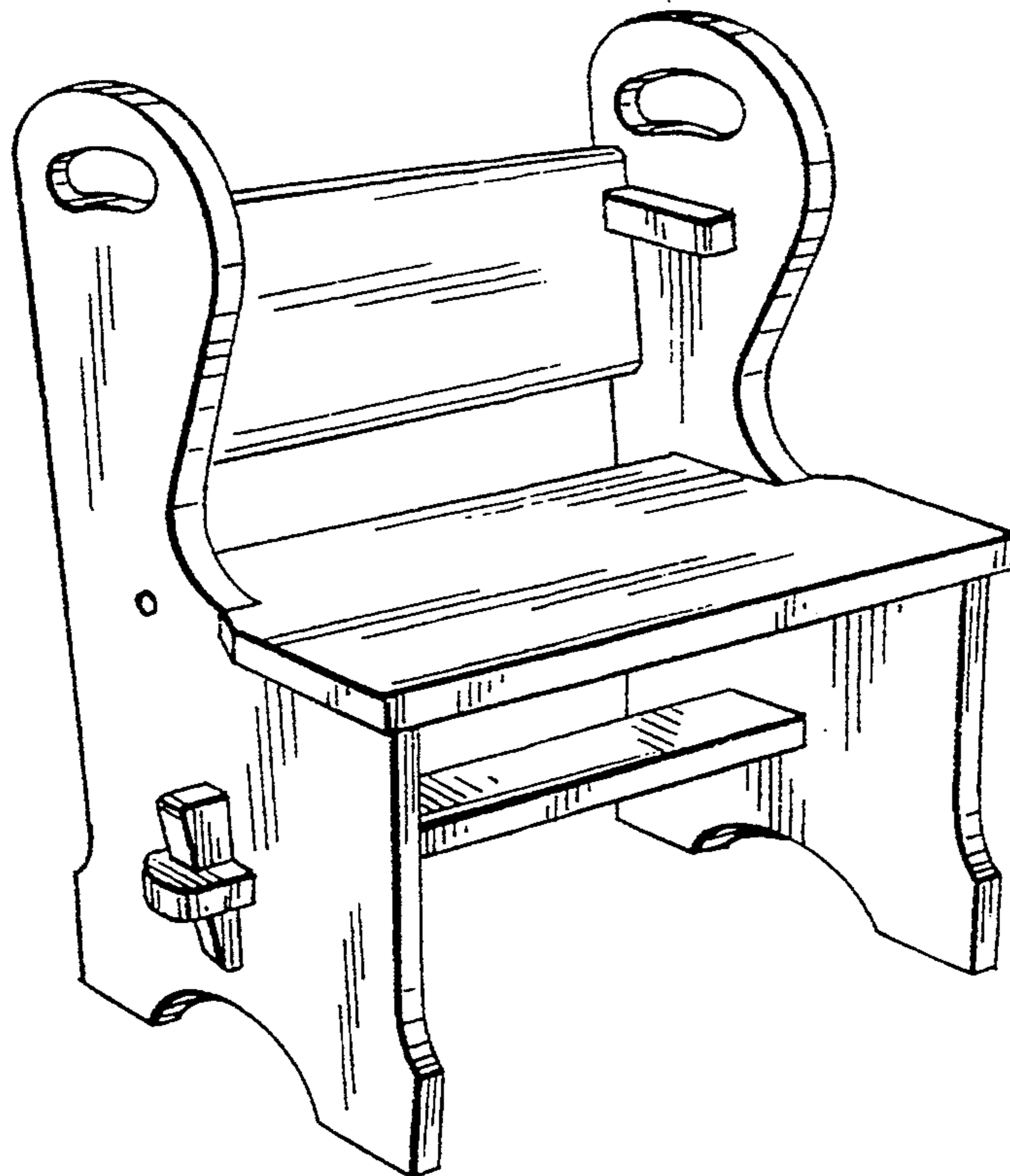
Primary Examiner—Alan P. Douglas
Assistant Examiner—Monica A. Hannon
Attorney, Agent, or Firm—Helfgott & Karas

[57] **CLAIM**

The ornamental design for a step chair, as shown and described.

DESCRIPTION

FIG. 1 is a front perspective view of a step chair, with the back rest in its vertical position, showing my new design;
 FIG. 2 is a top plan view thereof;
 FIG. 3 is a front elevational view thereof;
 FIG. 4 is a side elevational view, the other side being identical thereof;
 FIG. 5 is a rear elevational view thereof;
 FIG. 6 is a bottom plan view thereof;
 FIG. 7 is a front perspective view with the backrest in the horizontal position thereof;
 FIG. 8 is a top plan view thereof;
 FIG. 9 is a front elevational view thereof;
 FIG. 10 is a rear elevational view thereof; and,
 FIG. 11 is a bottom plan view thereof.



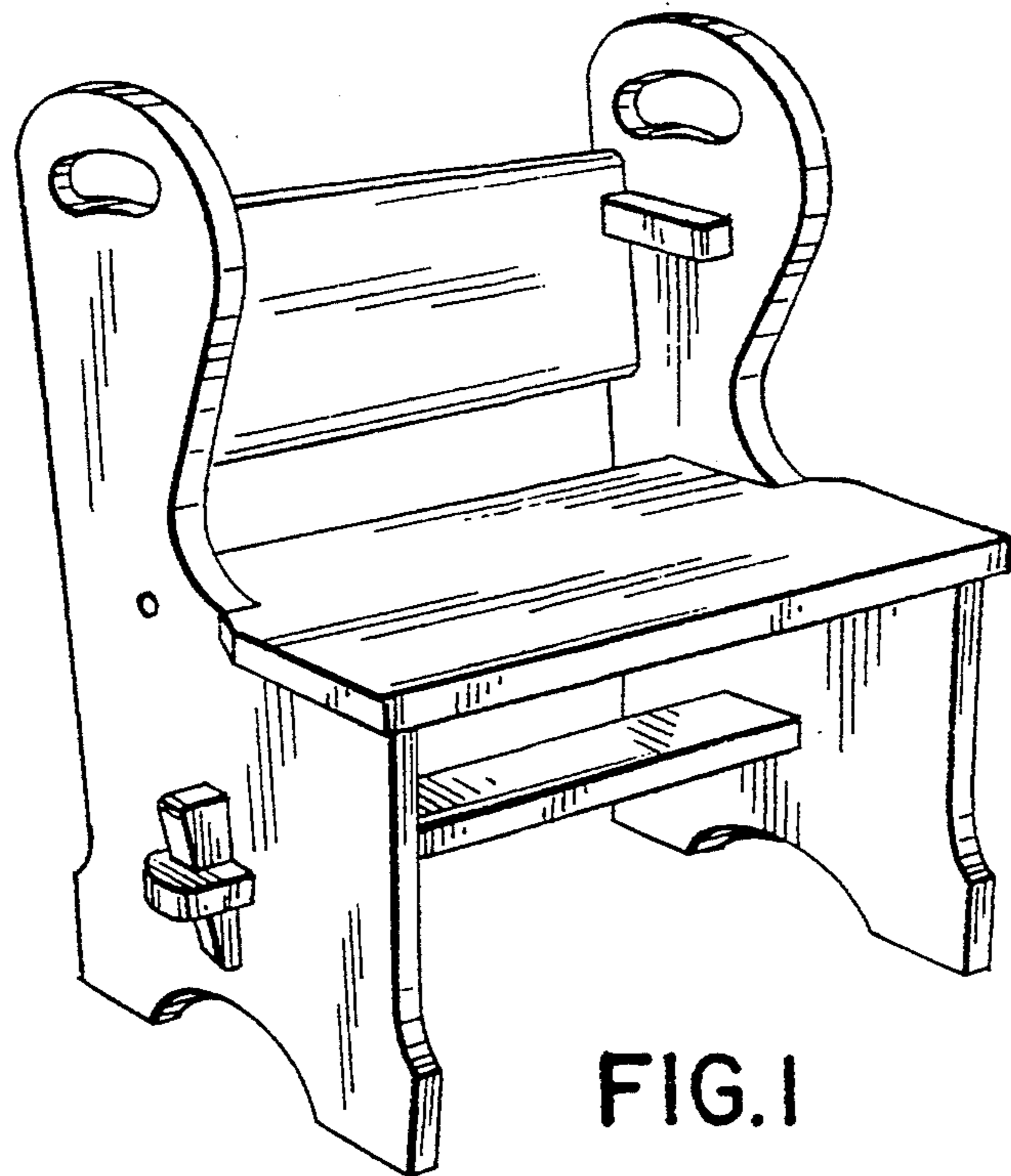


FIG. 1

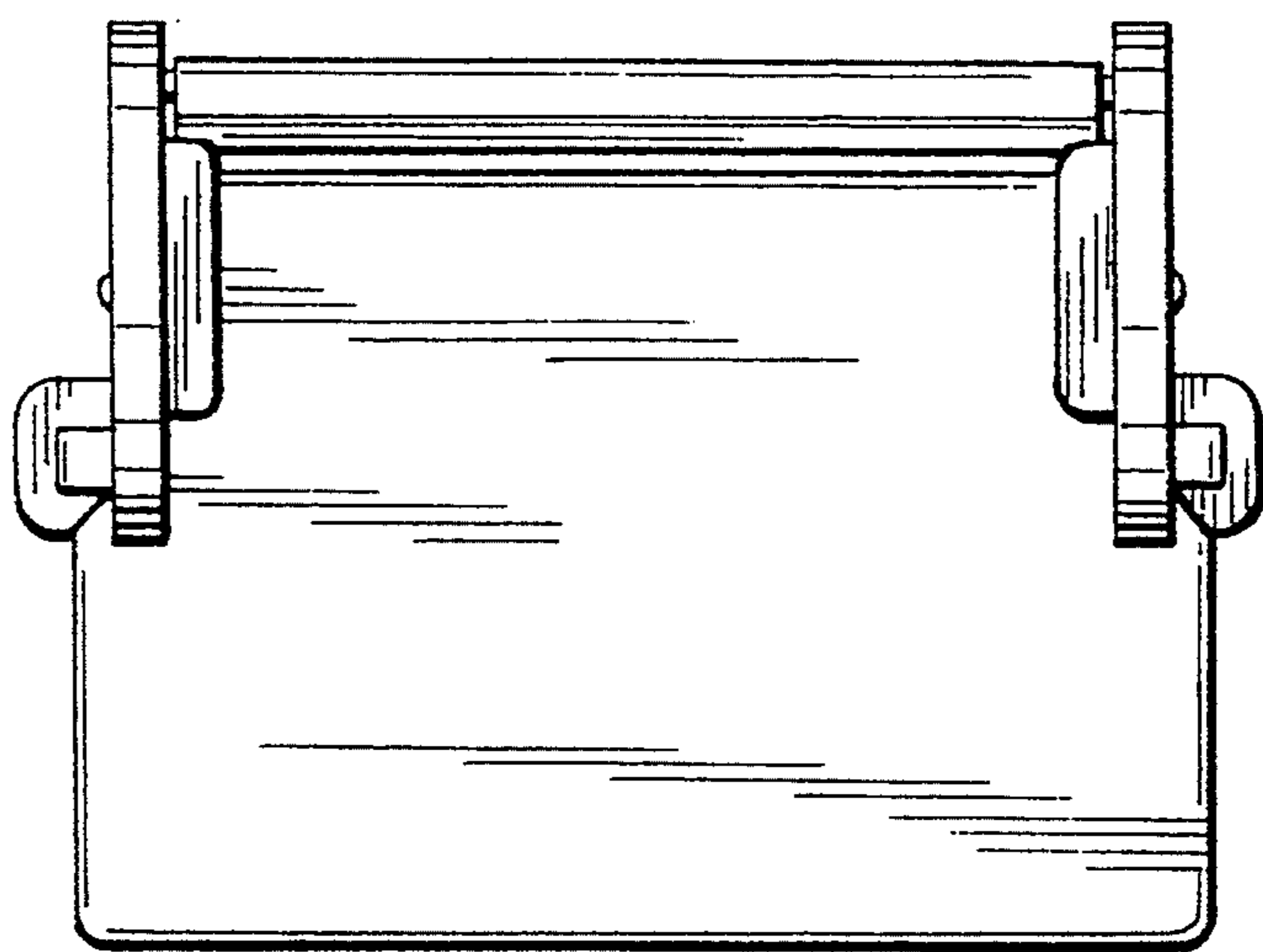


FIG. 2

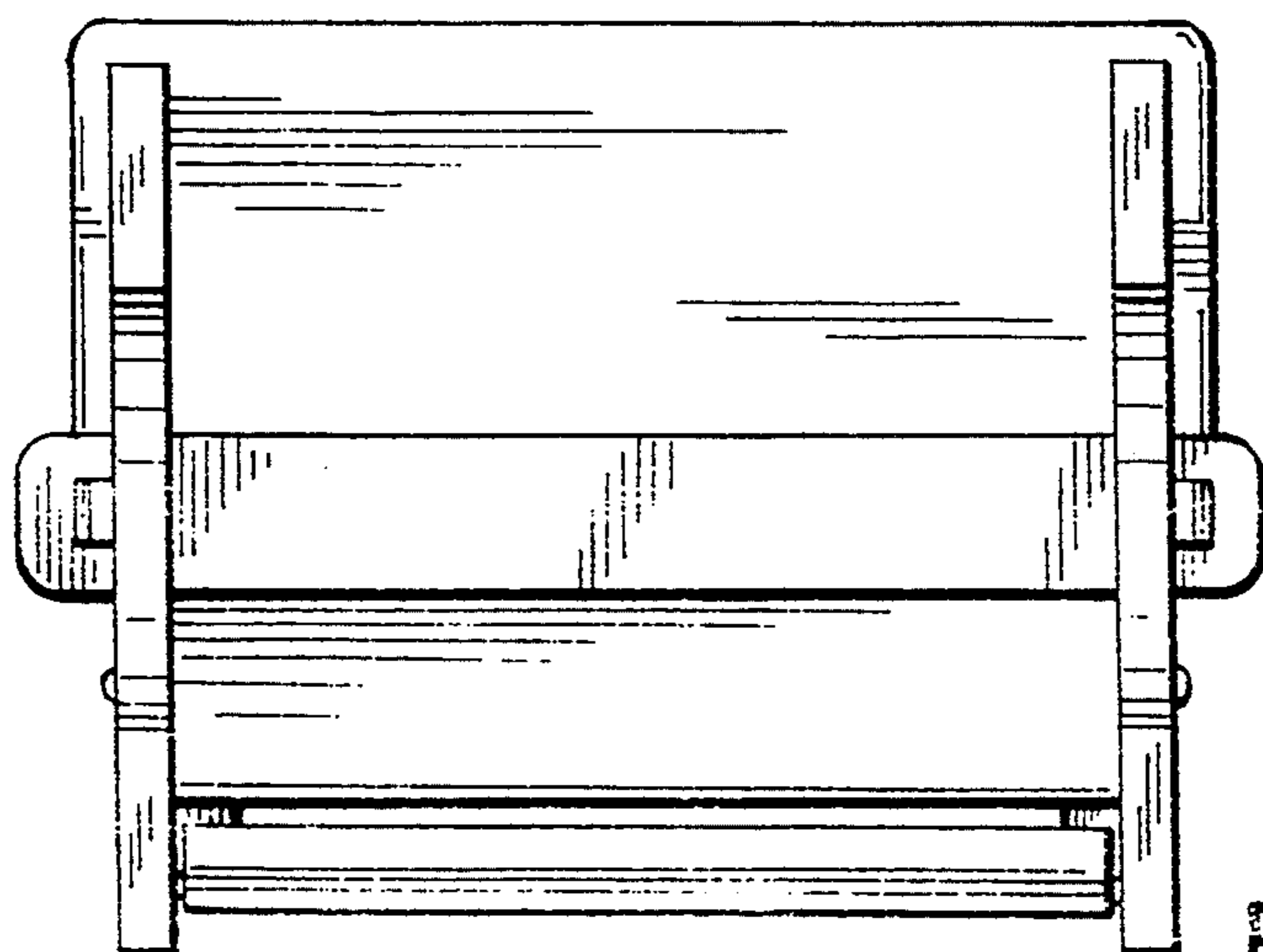


FIG. 6

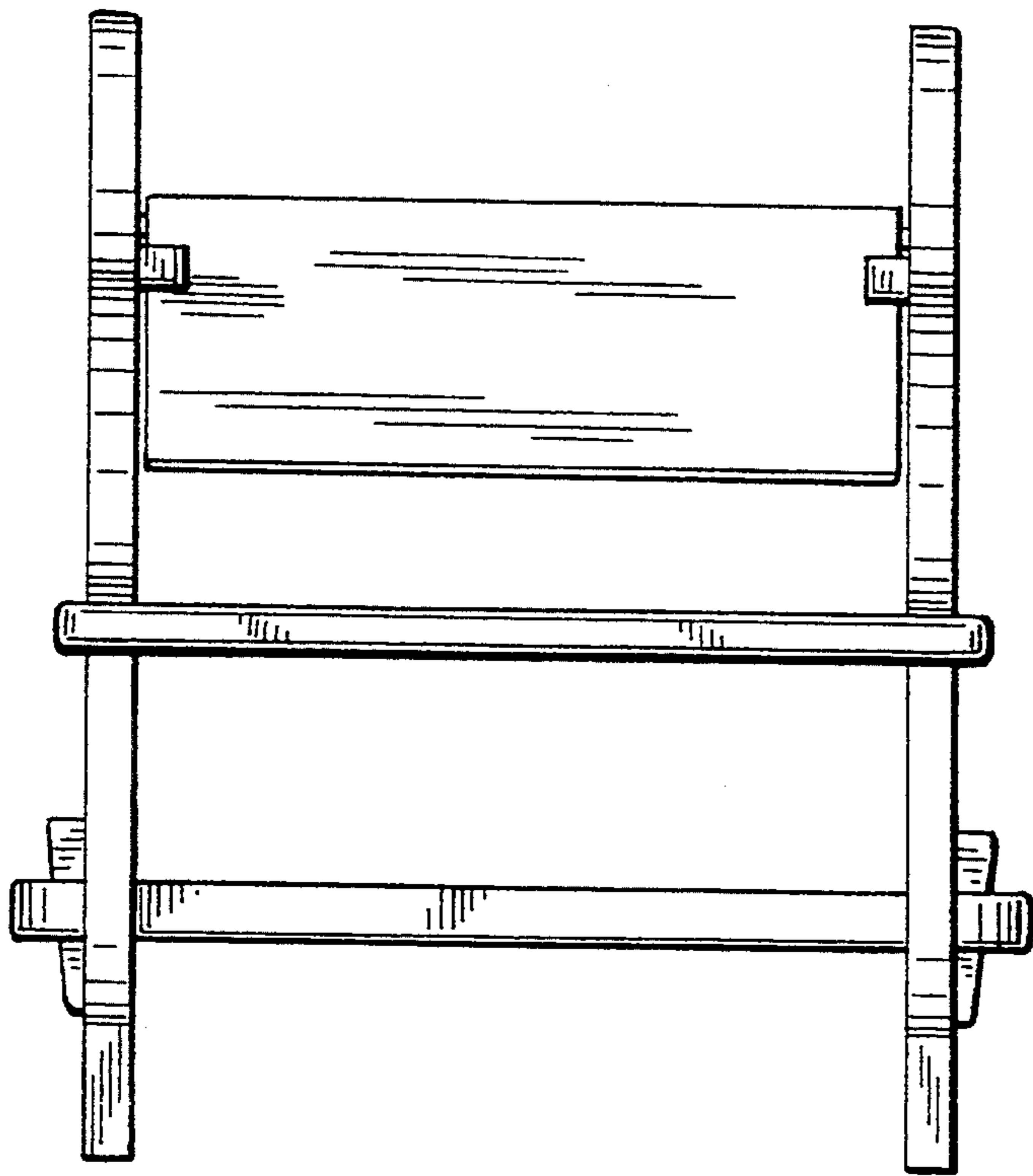


FIG. 3

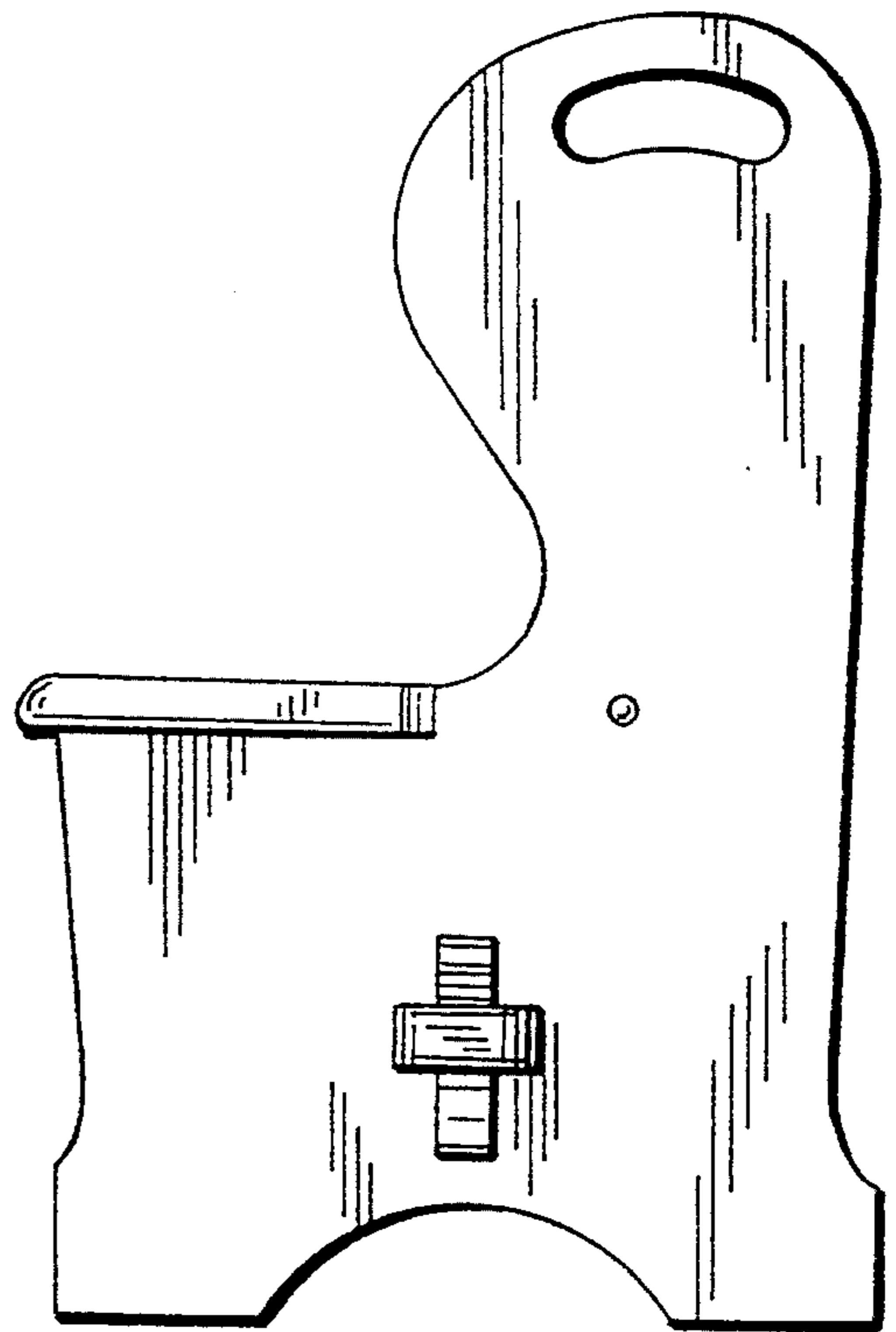


FIG. 4

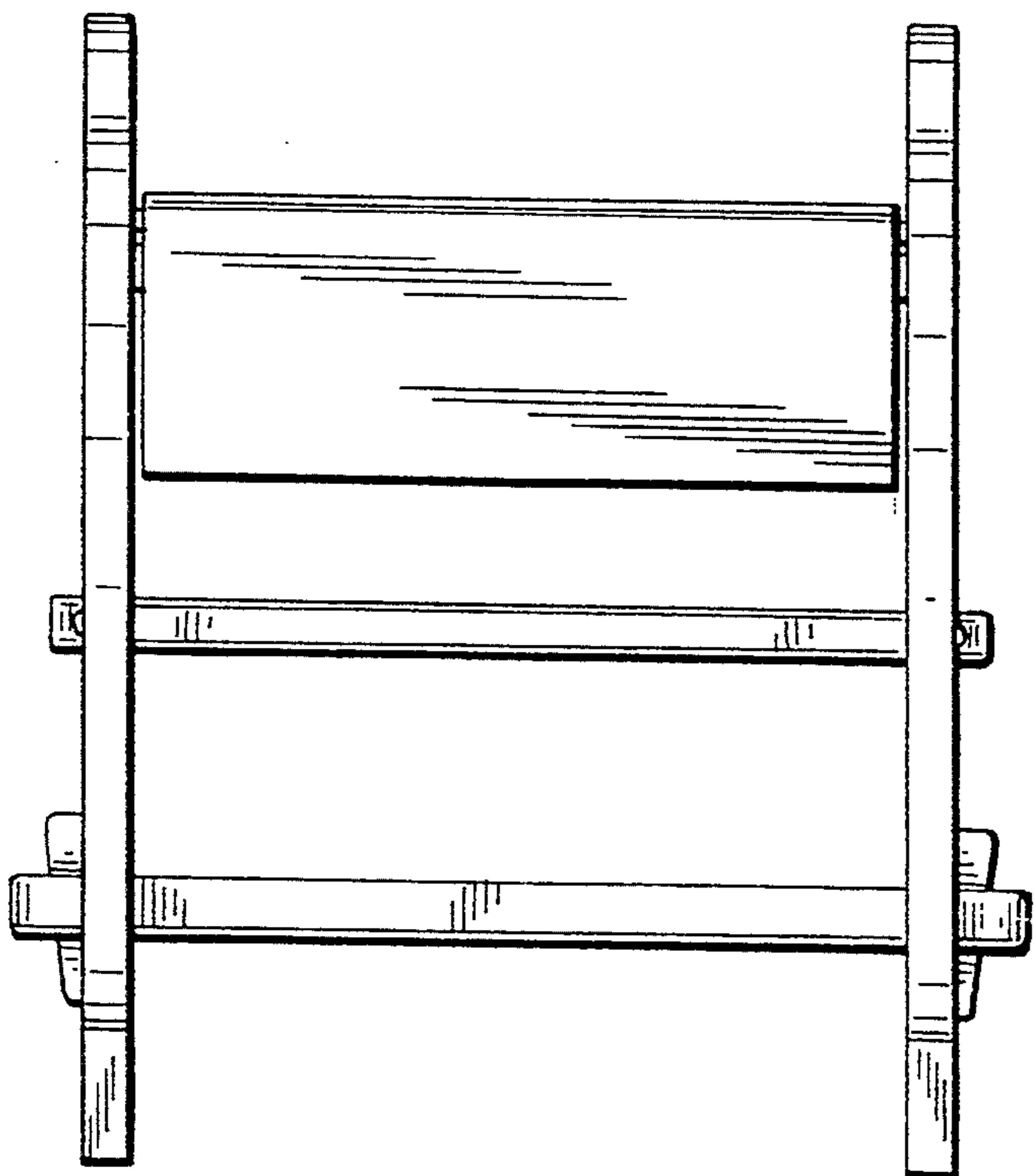


FIG. 5

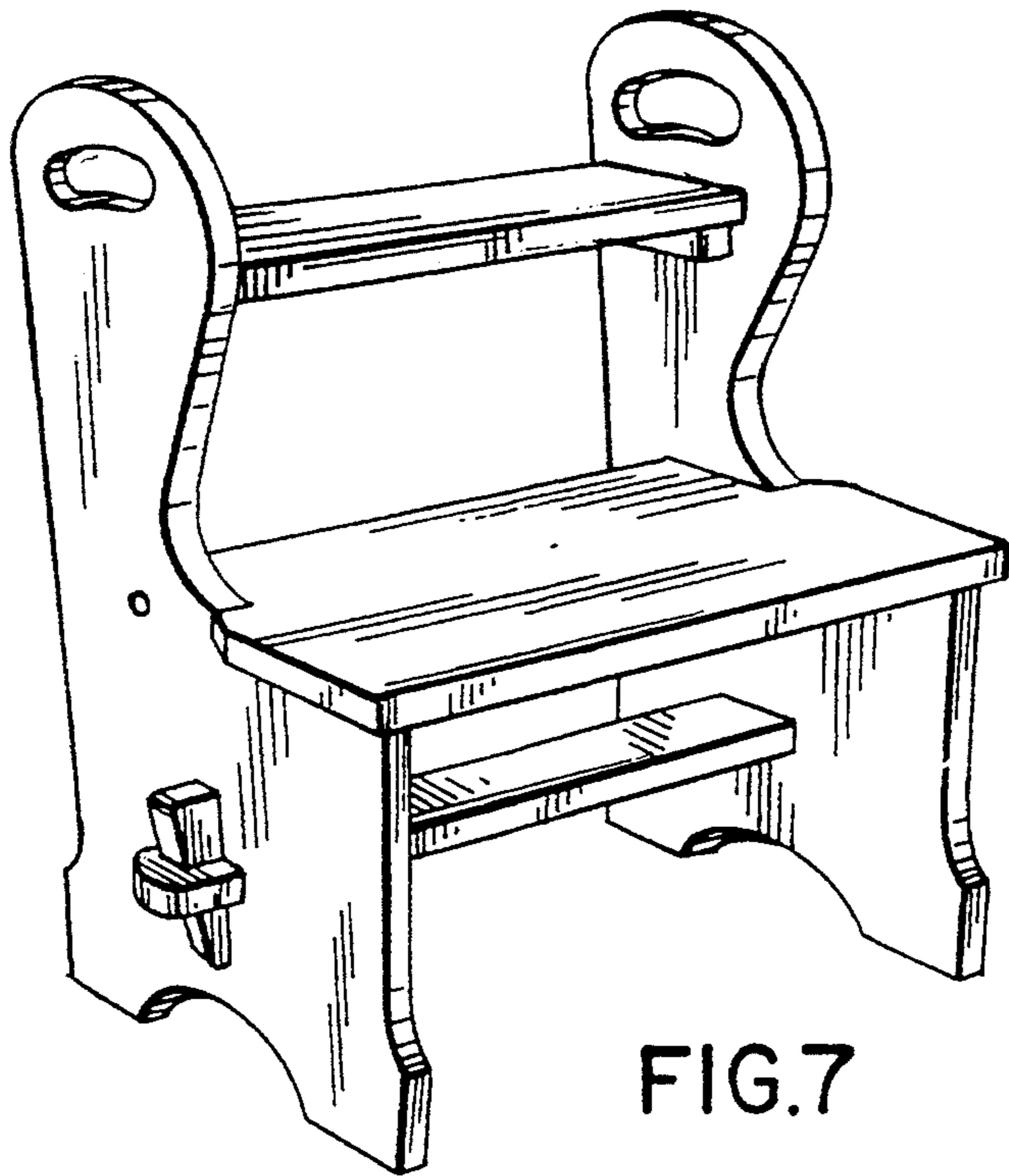


FIG. 7

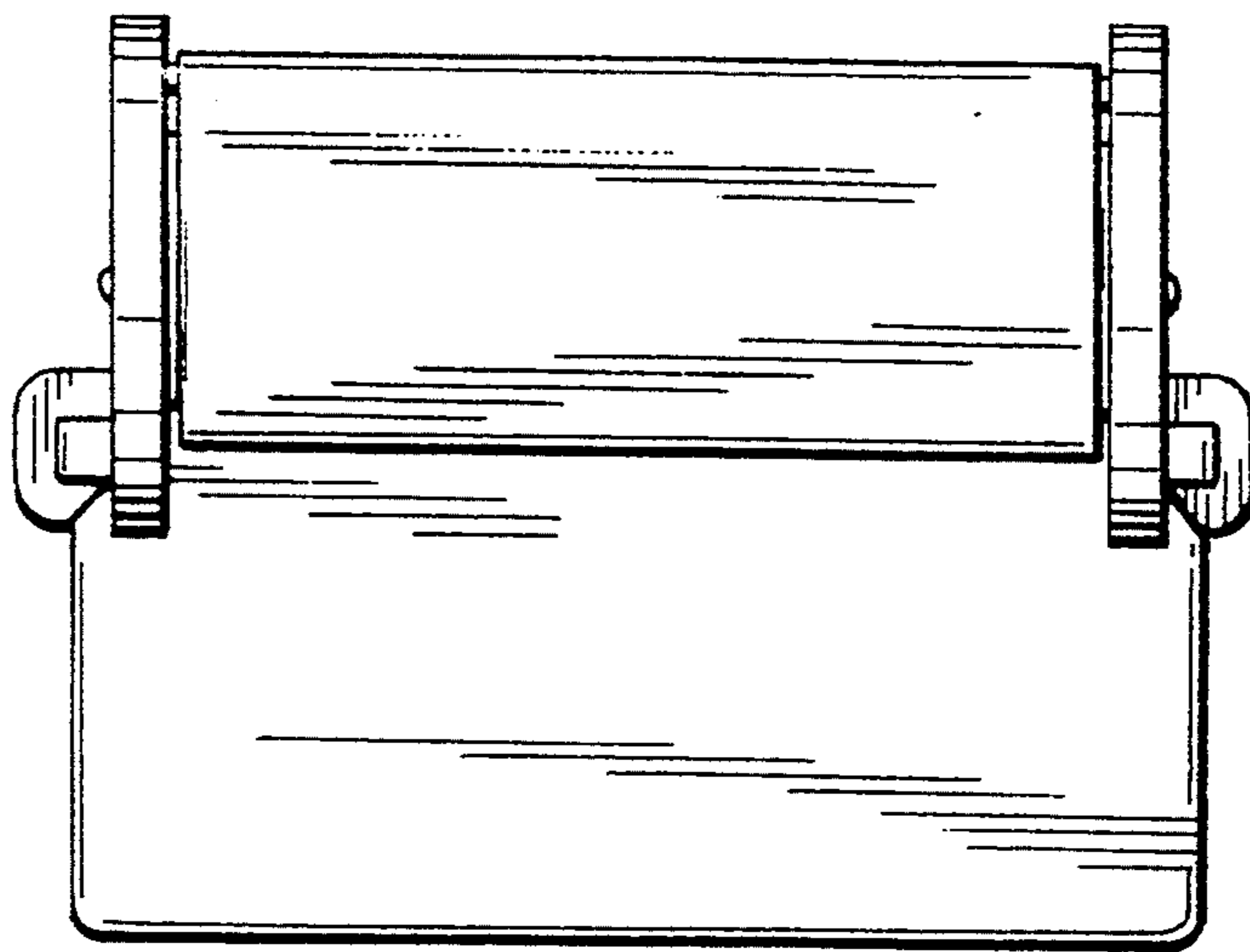


FIG. 8

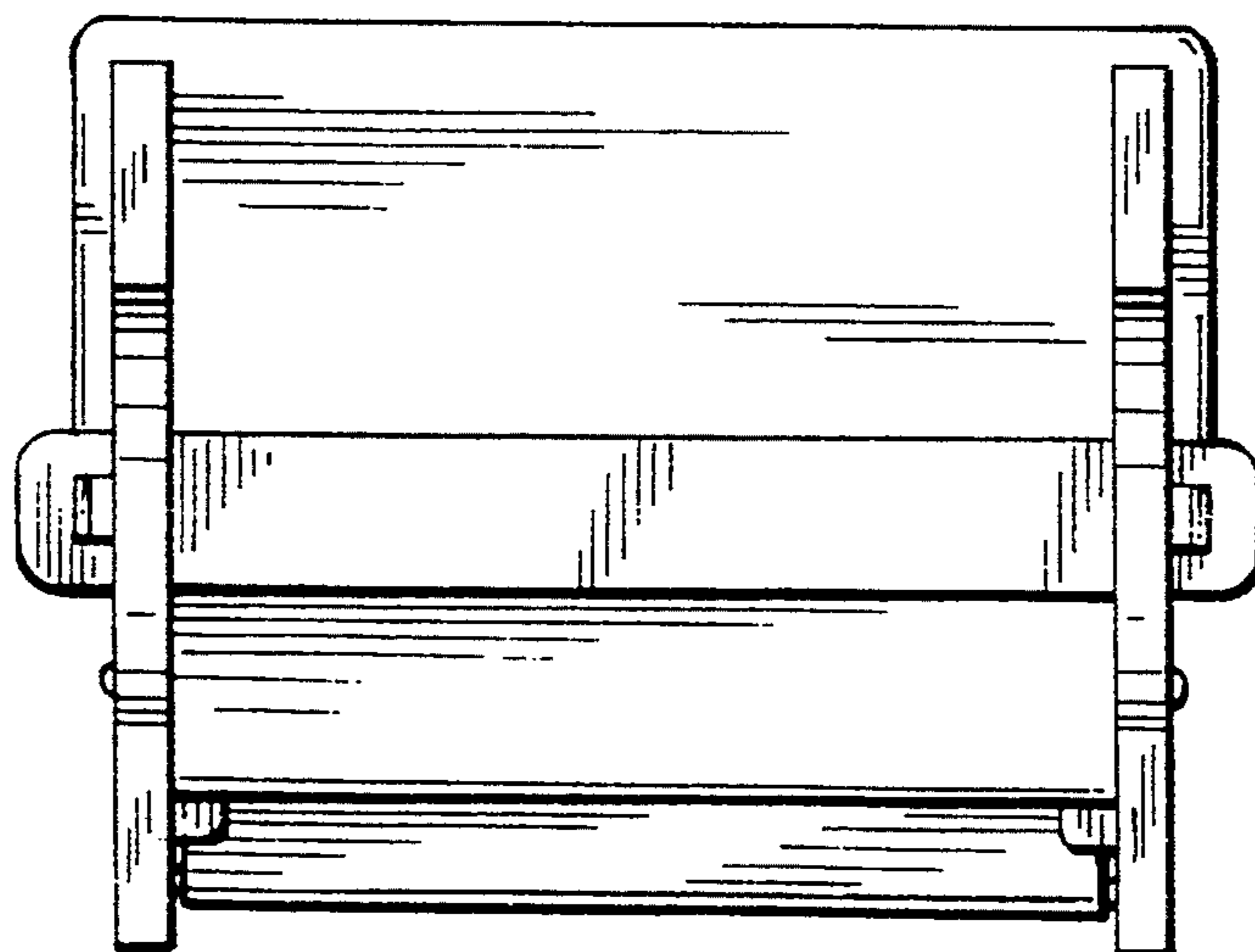


FIG. 11

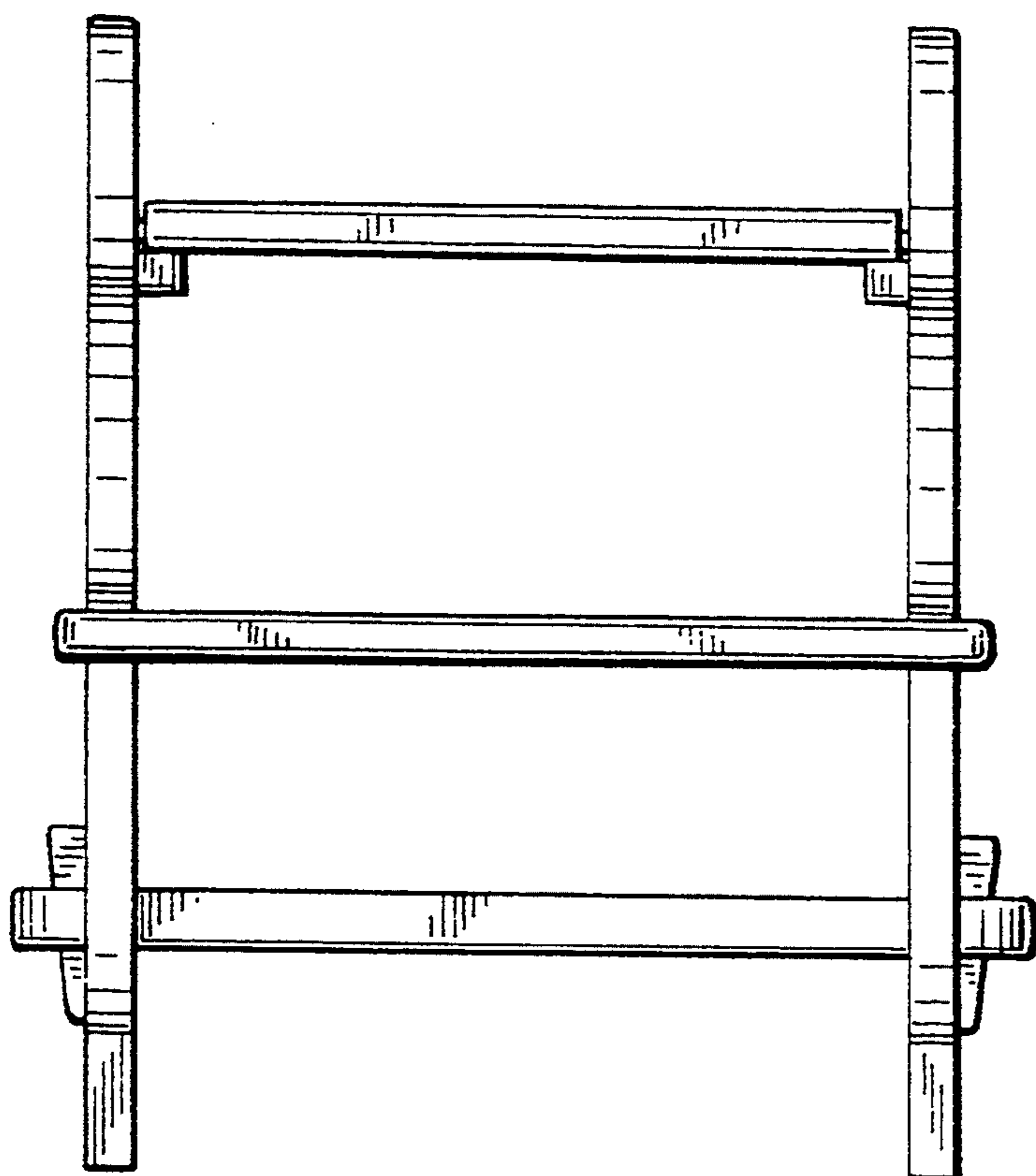


FIG. 9

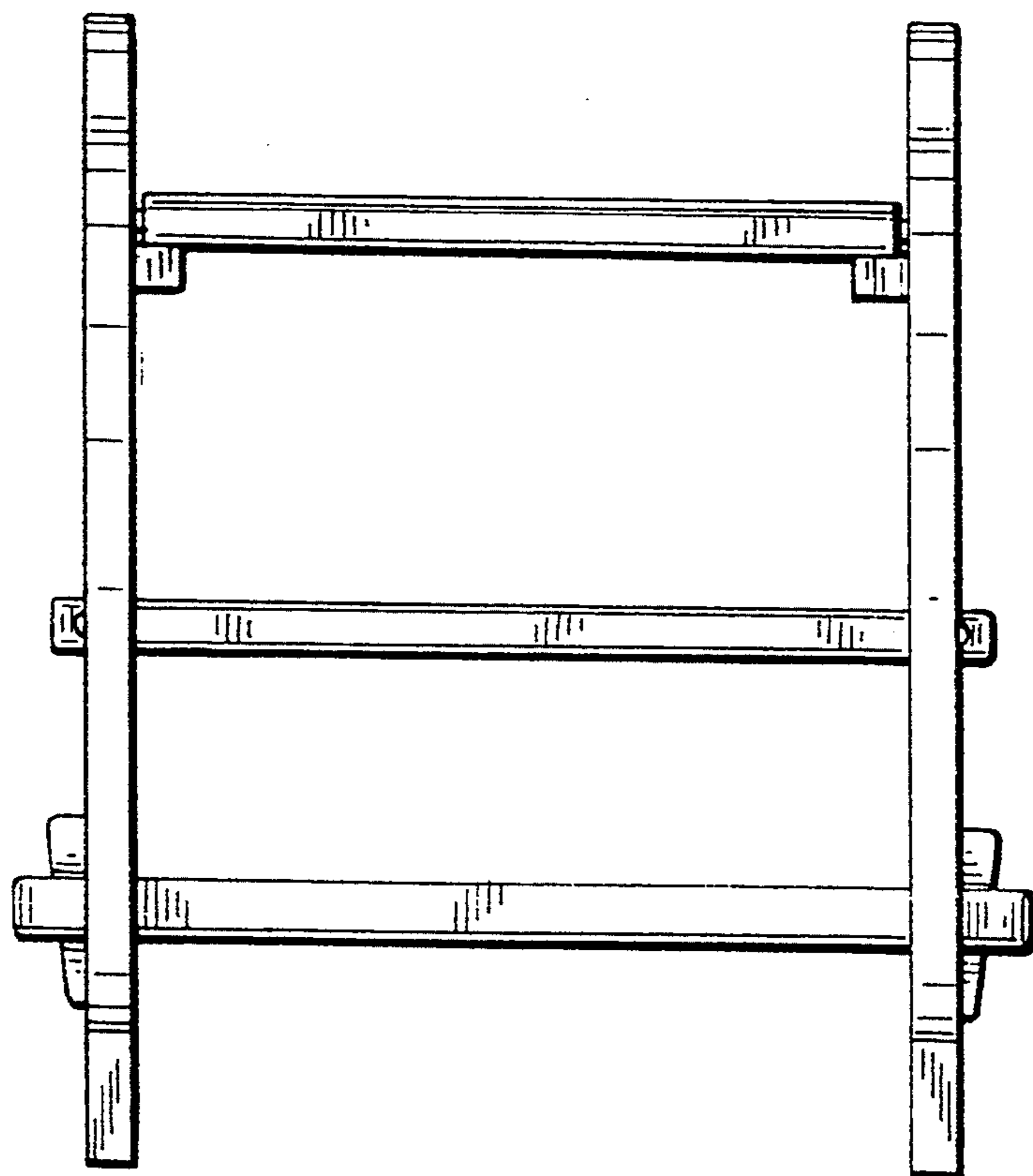


FIG. 10