



US00D350029S

United States Patent [19]

Murphy et al.

[11] Patent Number: Des. 350,029

[45] Date of Patent: ** Aug. 30, 1994

[54] BRUSH HANDLE

[75] Inventors: **Kent W. Murphy**, Wooster, Ohio;
Joseph Lapin, Montreal, Canada

[73] Assignee: **Rubbermaid Incorporated**, Wooster, Ohio

[**] Term: **14 Years**

[21] Appl. No.: **1,351**

[22] Filed: **Oct. 19, 1992**

Related U.S. Application Data

[62] Division of Ser. No. 548,728, Jul. 2, 1990, Pat. No. D. 336,992.

[52] U.S. Cl. **D4/138**

[58] Field of Search **D4/131-138;**
15/143.1, 159.1, 160

References Cited

U.S. PATENT DOCUMENTS

- D. 152,654 2/1949 Rodriquez D4/138
- D. 193,174 7/1962 Huxtable D4/138
- D. 227,827 7/1973 Lindbo D4/132

Primary Examiner—Wallace R. Burke
Assistant Examiner—Lavone D. Tabor
Attorney, Agent, or Firm—Richard B. O'Planick; Lisa B. Riedesel

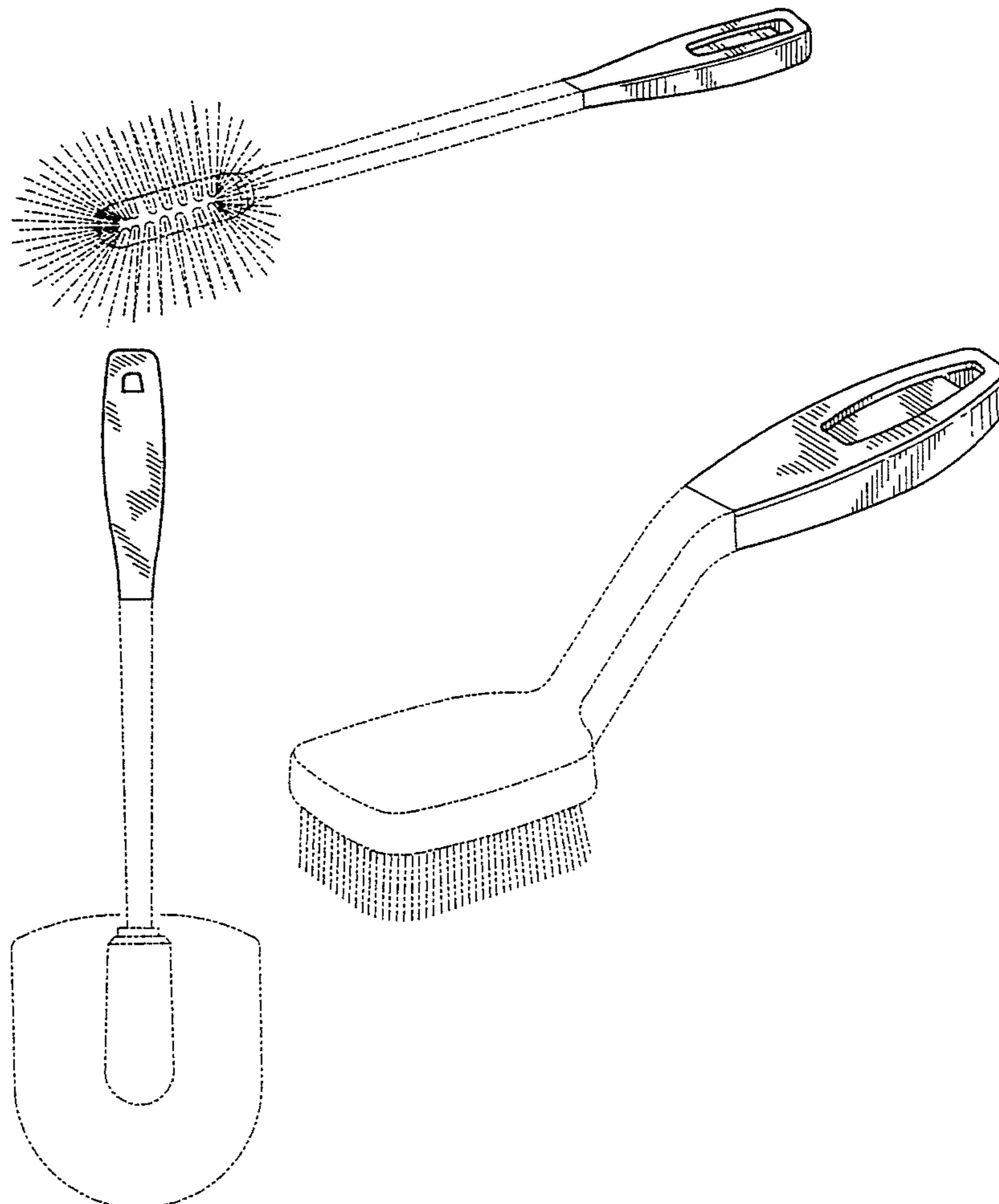
[57] CLAIM

The ornamental design for a brush handle, as shown and described.

DESCRIPTION

FIG. 1 is a top and side perspective view of a brush handle showing our new design, the side opposite the side shown being a mirror image;
 FIG. 2 is a rear end elevational view thereof;
 FIG. 3 is a top plan view thereof;
 FIG. 4 is a bottom plan view thereof;
 FIG. 5 is a top and side perspective view of a second embodiment of the design shown in FIGS. 1-4;
 FIG. 6 is a rear end elevational view thereof;
 FIG. 7 is a top plan view thereof;
 FIG. 8 is an elevational view of the side opposite that shown in FIGS. 5; and,
 FIG. 9 is a bottom plan view thereof.

The broken line showing a brush head and upper portion of the handle are for illustrative purposes only and form no part of the claimed design.



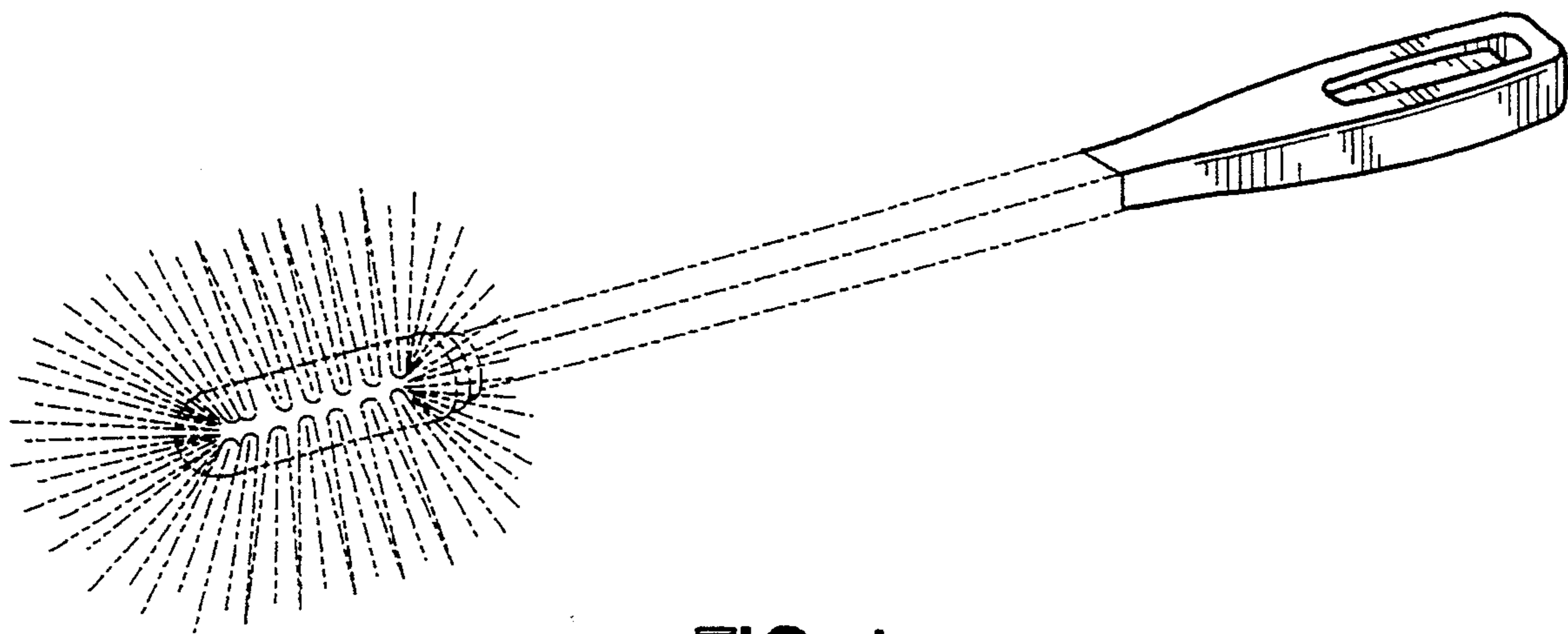


FIG. 1

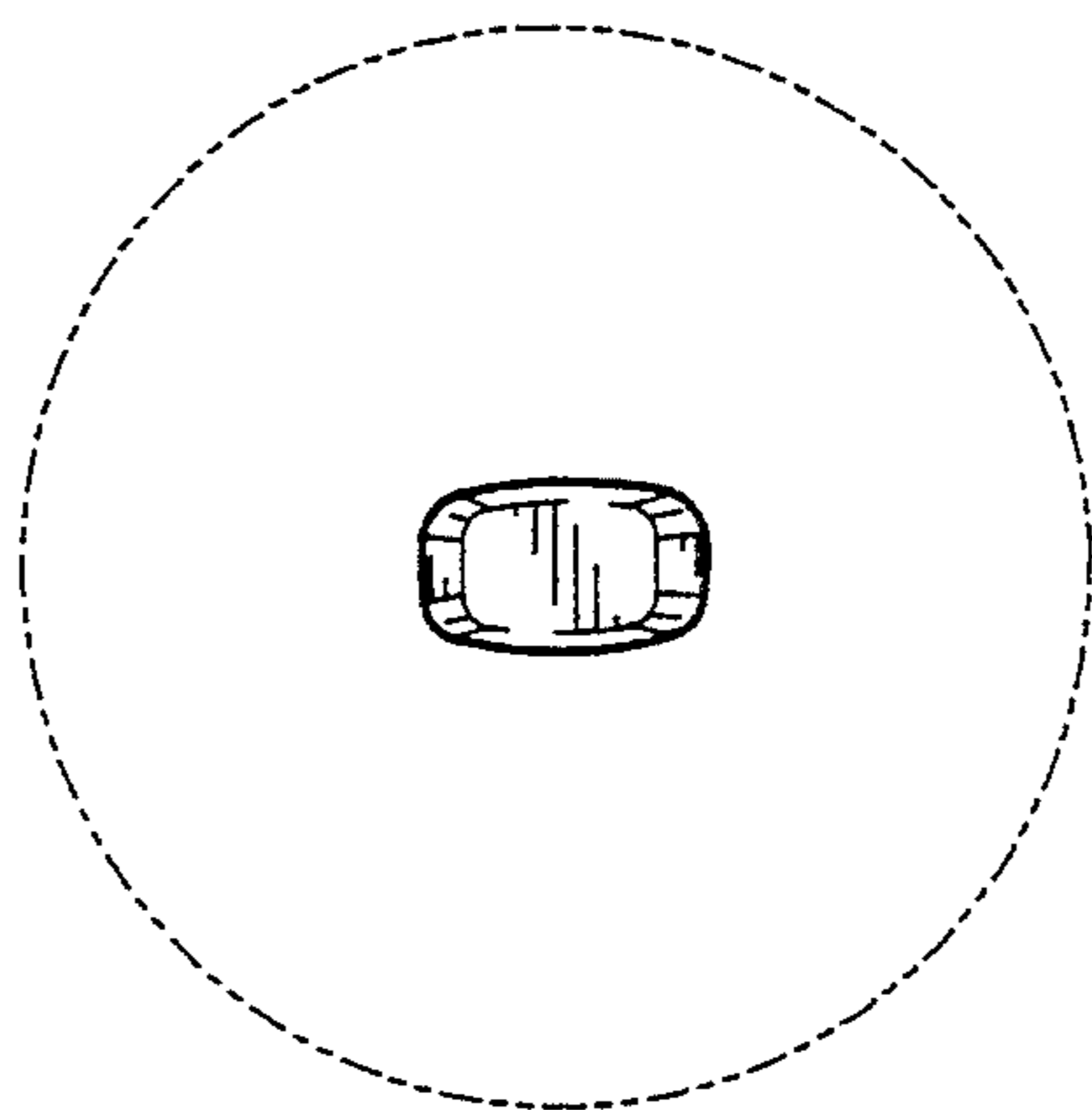


FIG. 2

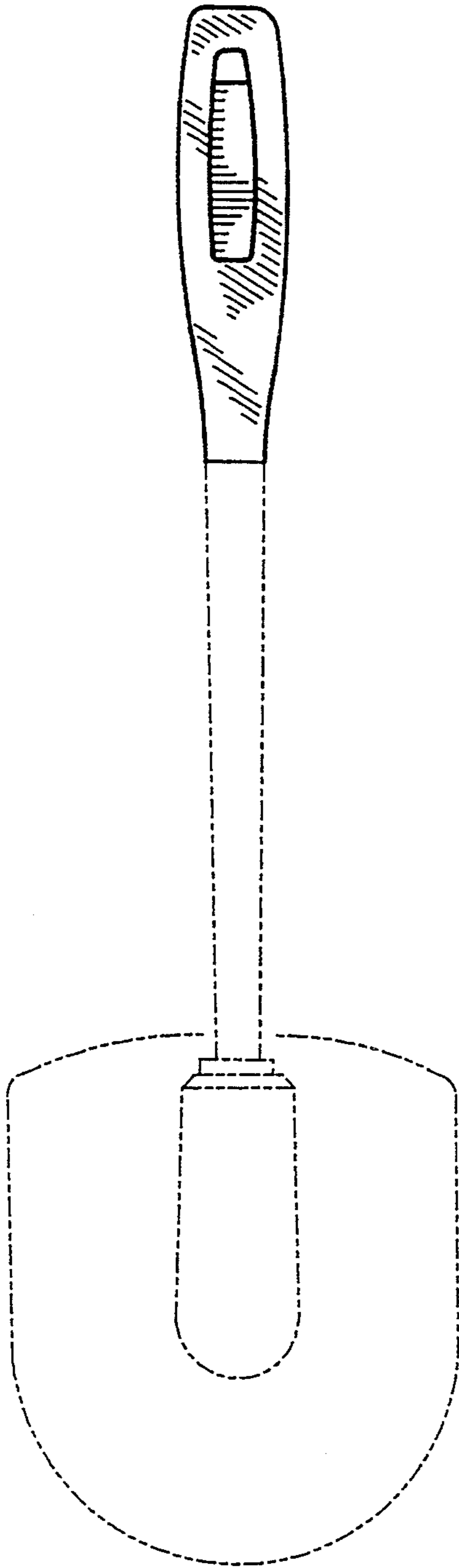


FIG. 3

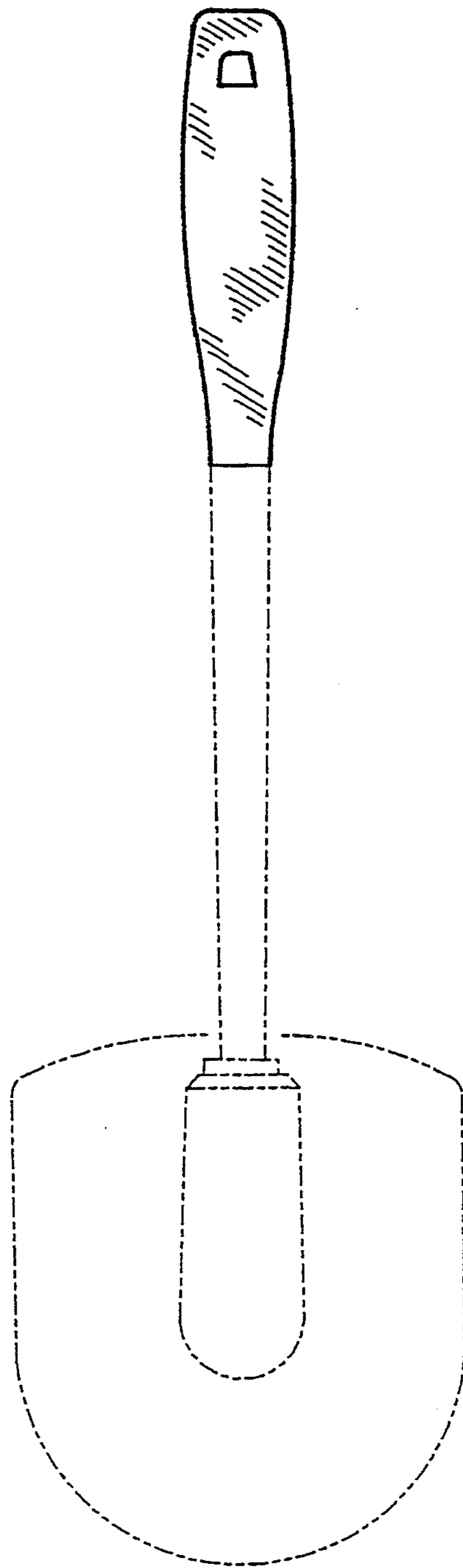


FIG. 4

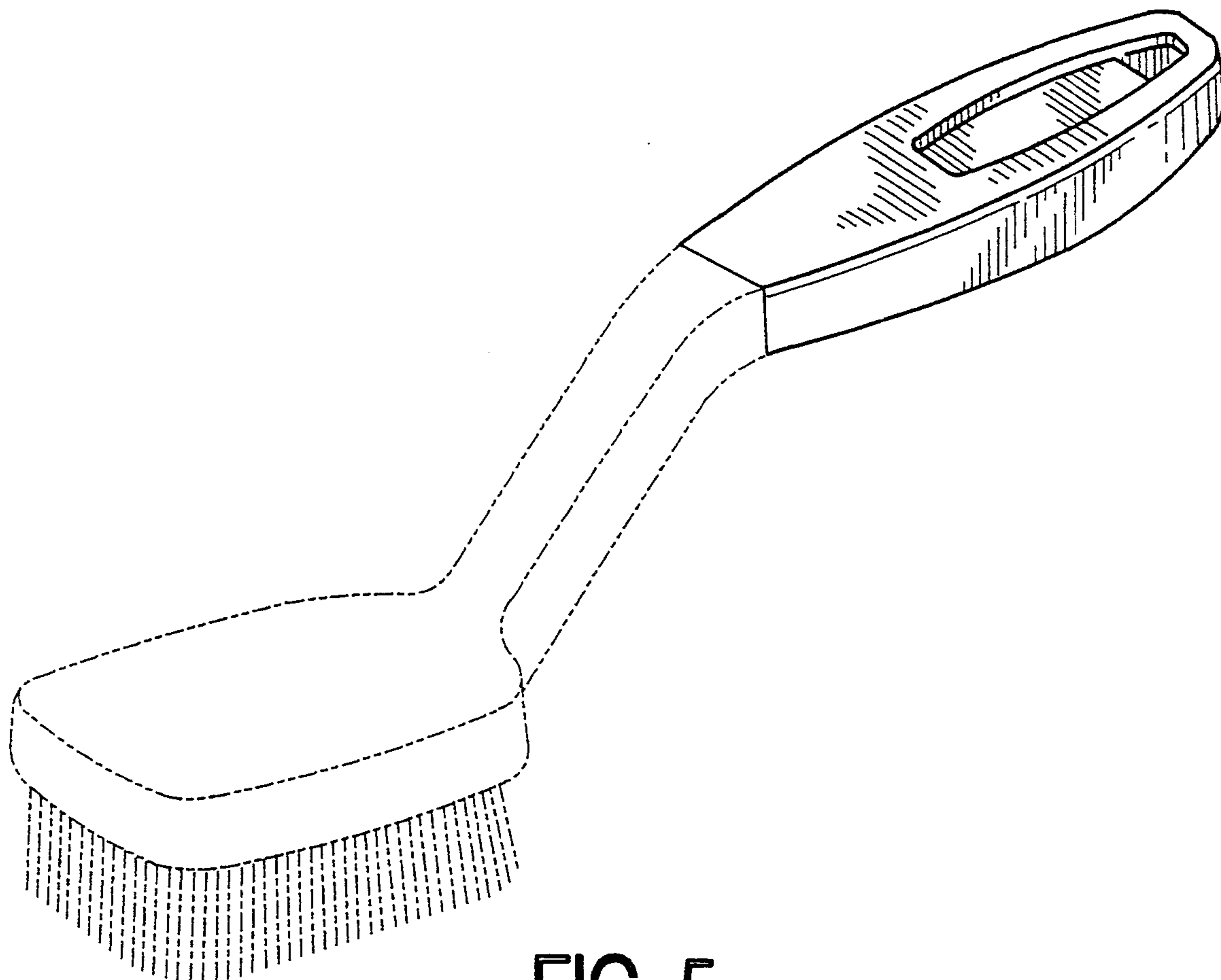


FIG. 5

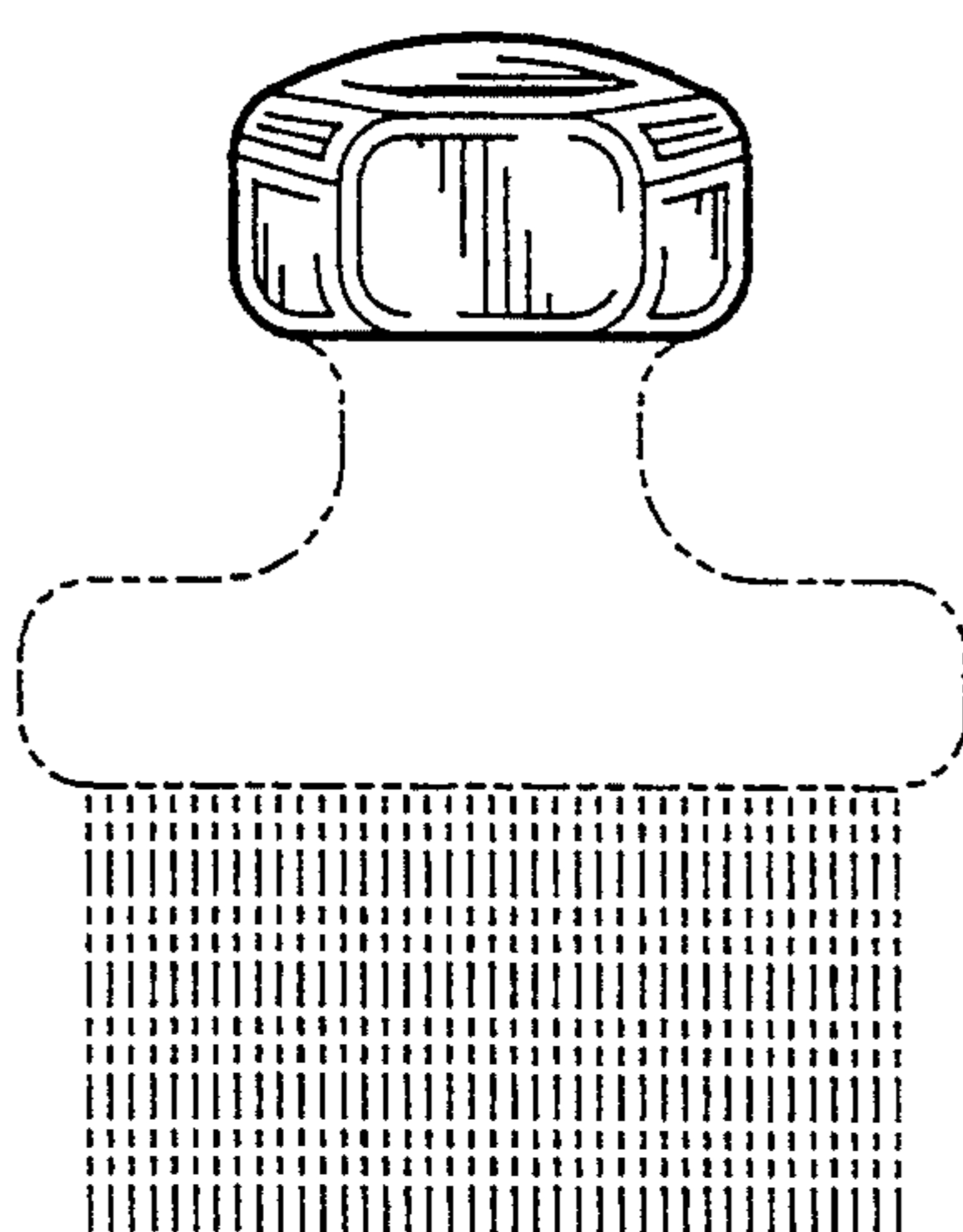


FIG. 6

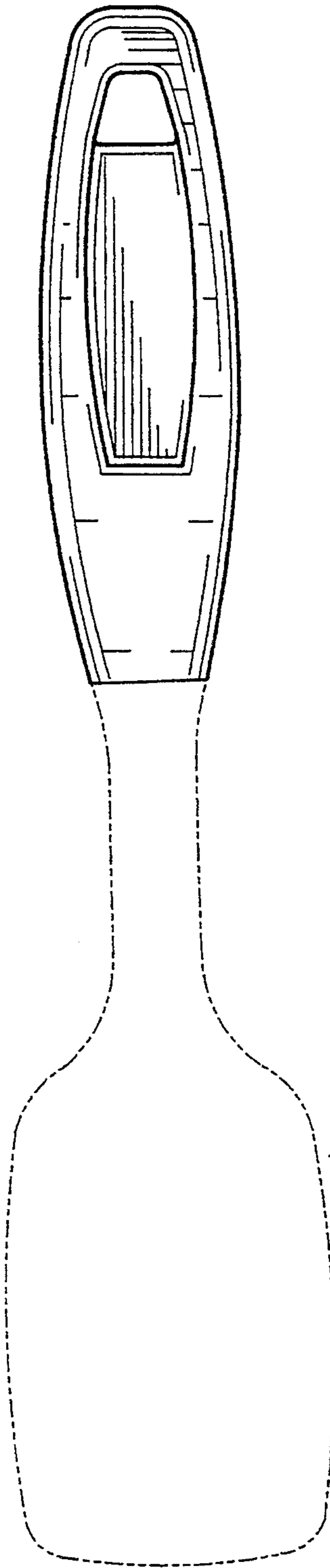


FIG. 7

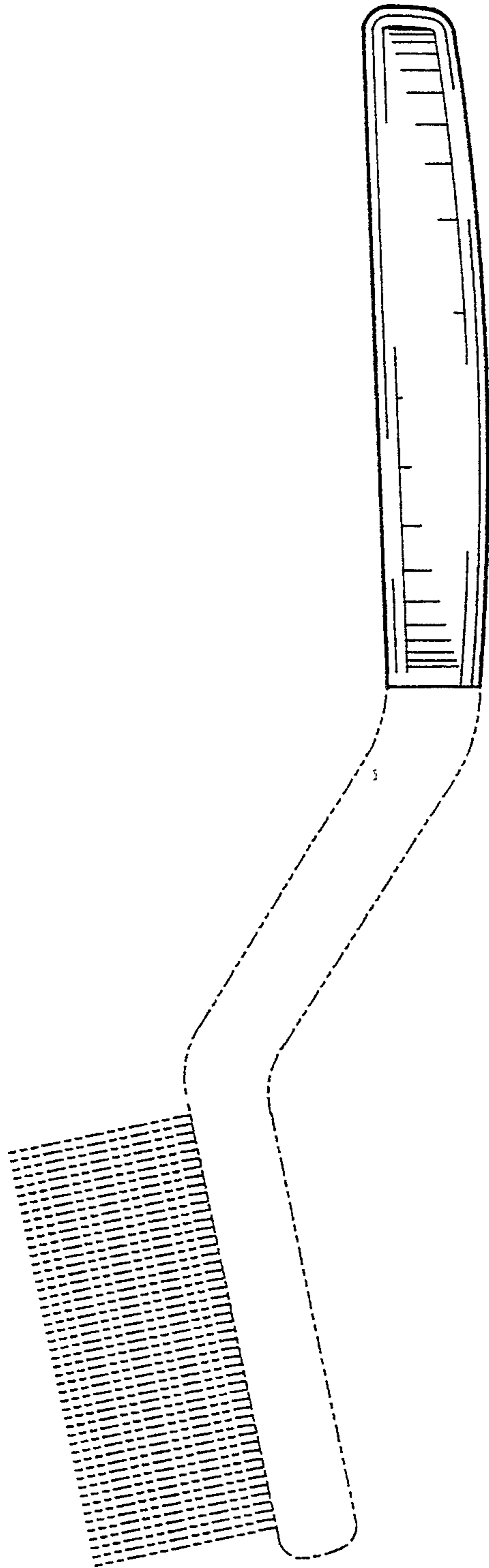


FIG. 8

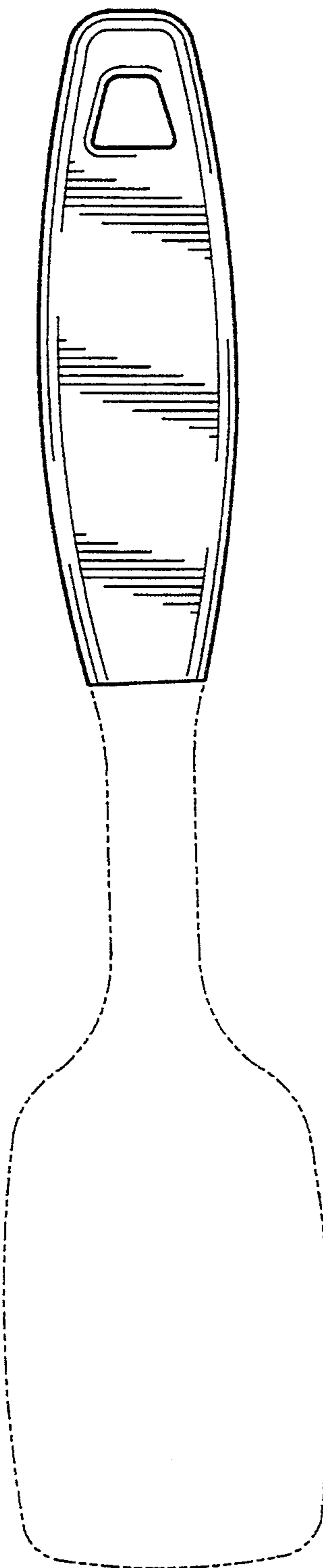


FIG. 9