



US00D350026S

United States Patent [19]

[11] Patent Number: Des. 350,026

Lin

[45] Date of Patent: ** Aug. 30, 1994

[54] GOLF BAG

[76] Inventor: **Chu-Chen Lin**, 2F, No. 10-1, Nung 2, Lane 781, Min-Sheng East Road, Taipei, Taiwan

[**] Term: **14 Years**

[21] Appl. No.: **8,427**

[22] Filed: **May 18, 1993**

[52] U.S. Cl. **D3/255**

[58] Field of Search **D3/37, 36, 38; 206/315.2, 315.3, 315.4, 315.5, 315.6, 315.7, 315.8**

[56] **References Cited**

U.S. PATENT DOCUMENTS

1,612,741 12/1926 Newman-Butler 206/315.6
4,961,497 10/1990 Sherer et al. 206/315.4

Primary Examiner—A. Hugo Word

Assistant Examiner—Doris V. Coles

Attorney, Agent, or Firm—Morton J. Rosenberg; David I. Klein

[57] **CLAIM**

The ornamental design for a golf bag, as shown and described.

DESCRIPTION

FIG. 1 is a perspective view of a golf bag showing my new design;

FIG. 2 is a front elevational view thereof;

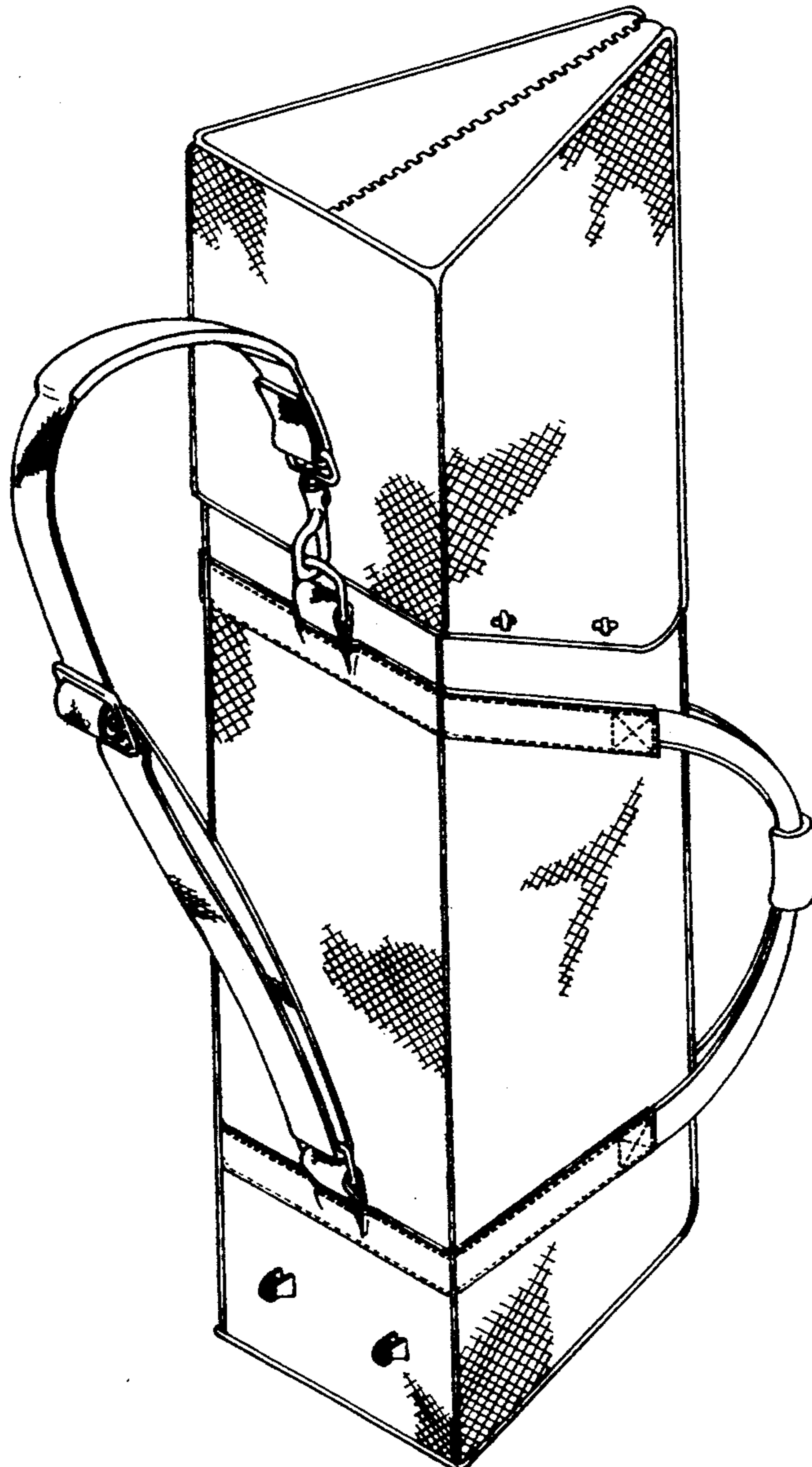
FIG. 3 is a rear elevational view thereof;

FIG. 4 is a right side elevational view thereof;

FIG. 5 is a left side elevational view thereof;

FIG. 6 is a top plan view thereof; and,

FIG. 7 is a bottom plan view thereof.



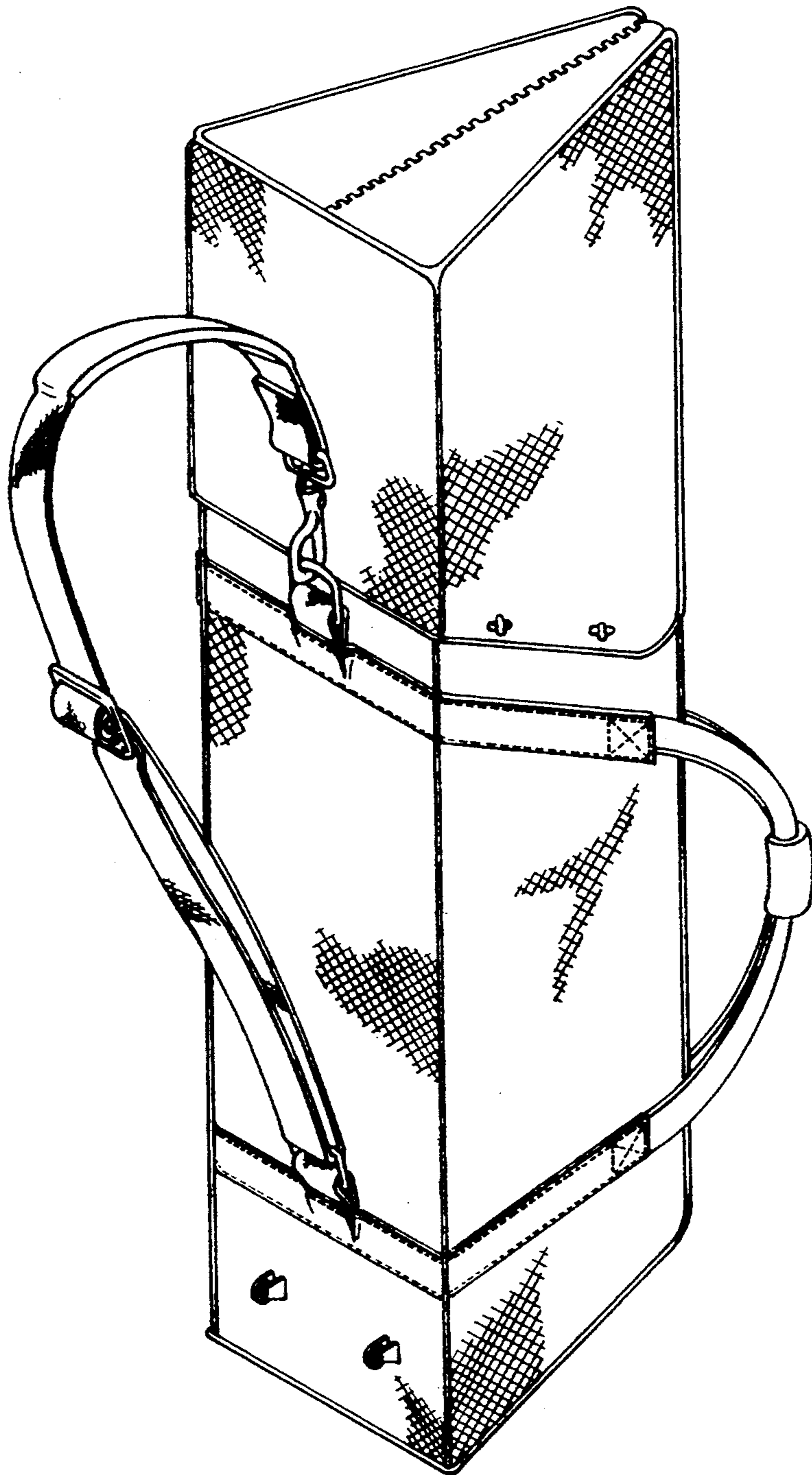


FIG. 1

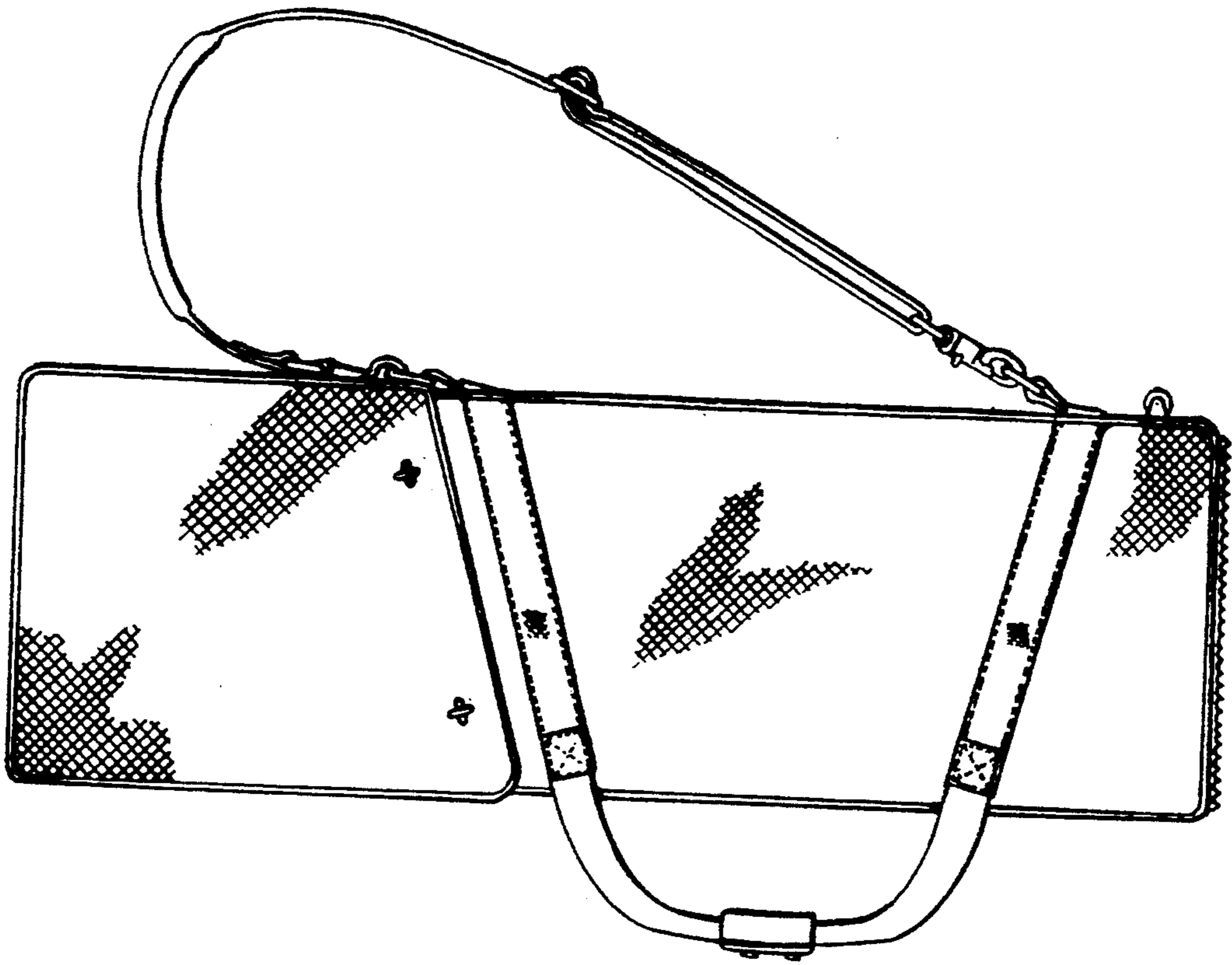


FIG. 3

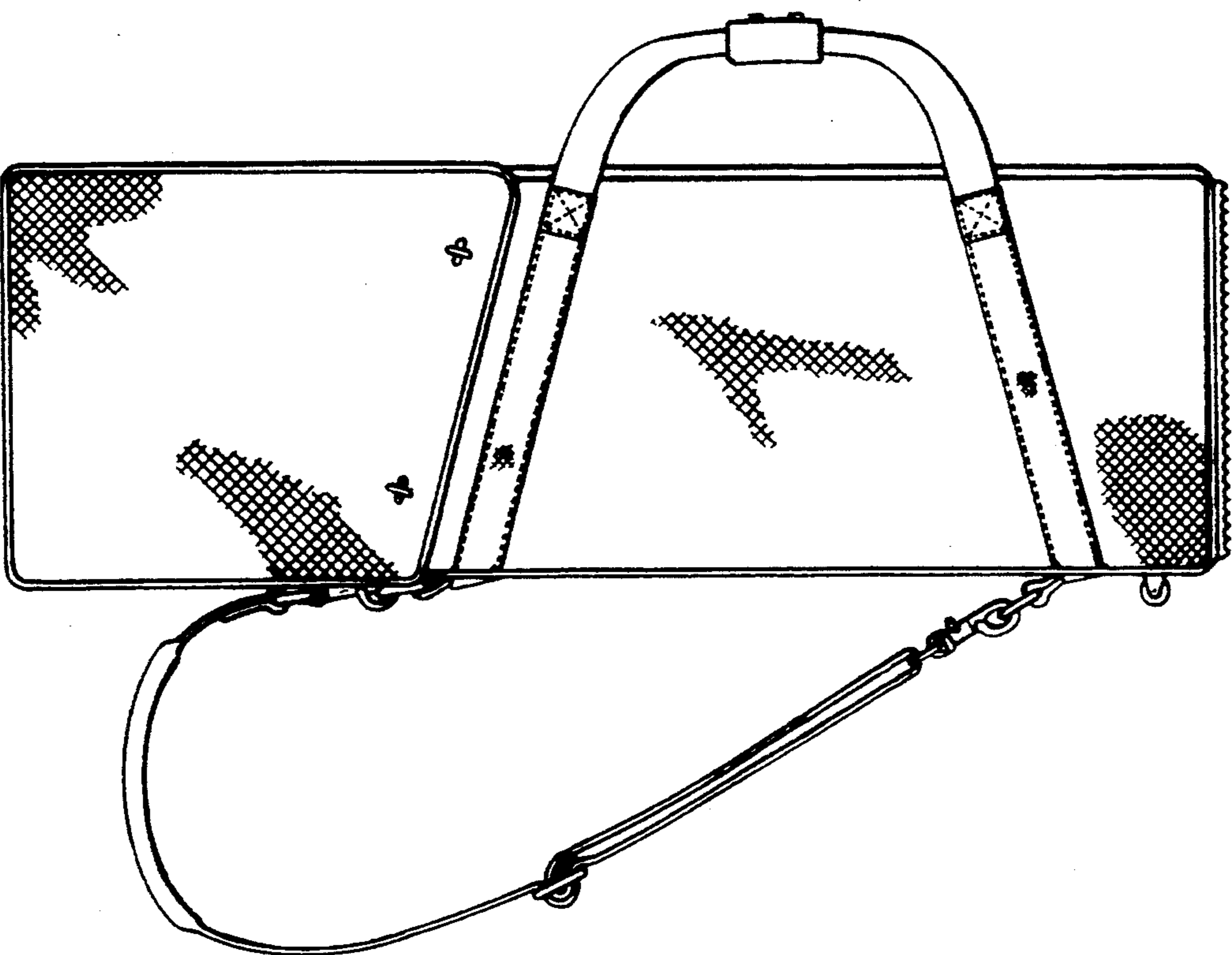


FIG. 2

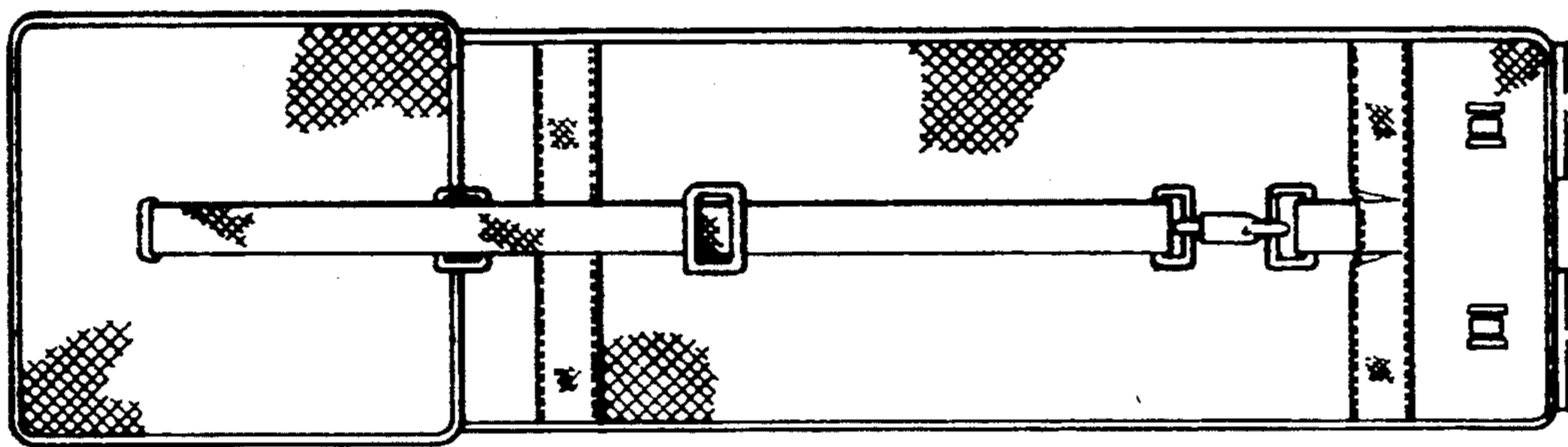


FIG. 5

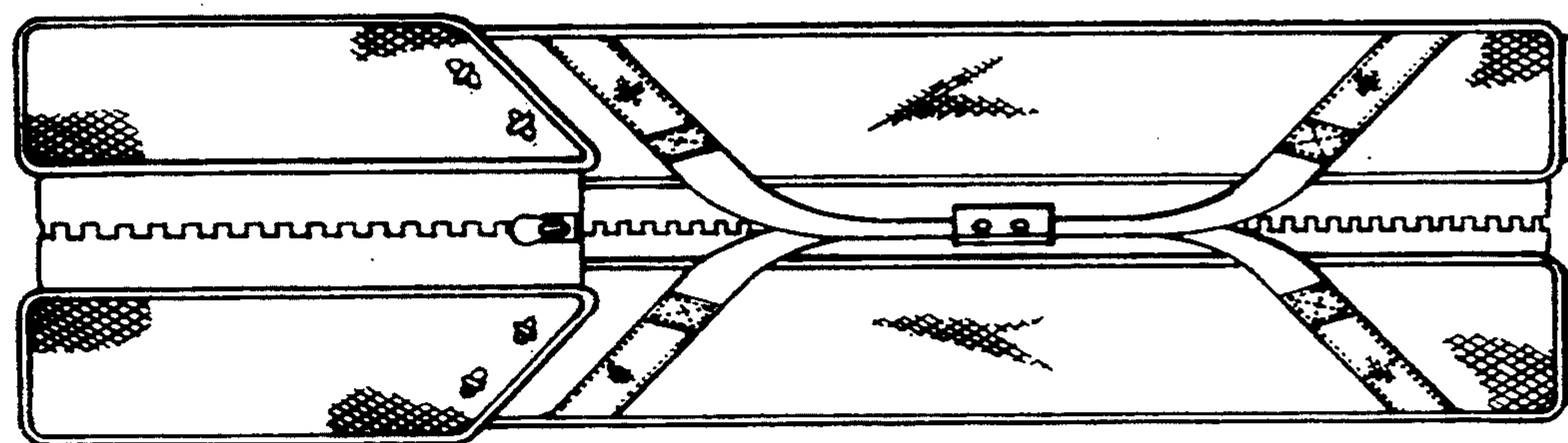


FIG. 4

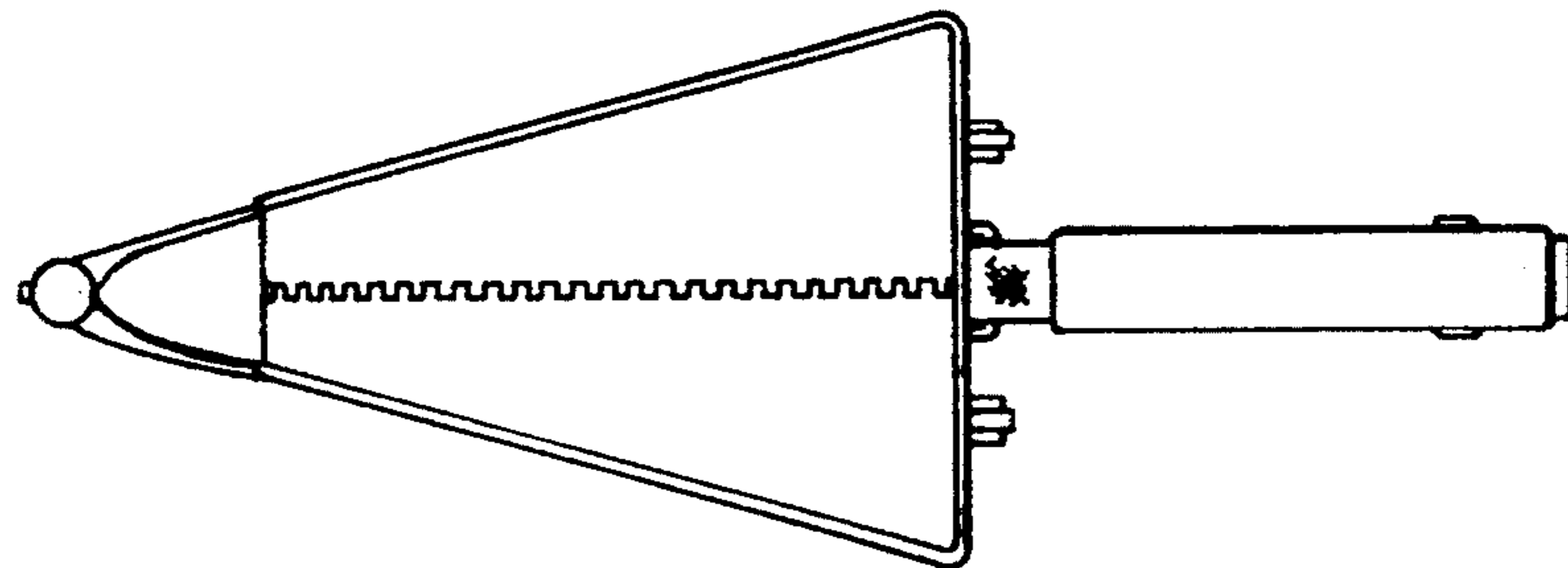


FIG. 6

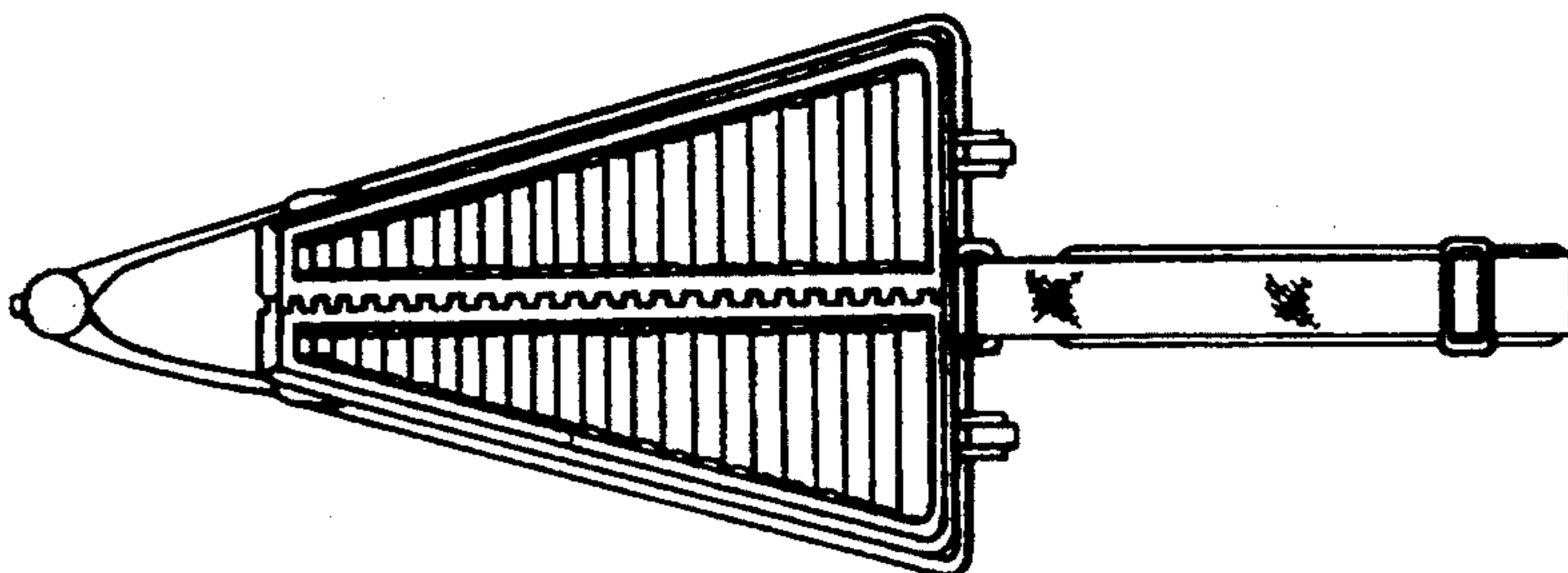


FIG. 7