



US00D350024S

United States Patent [19]

[11] Patent Number: Des. 350,024

Ryker

[45] Date of Patent: ** Aug. 30, 1994

[54] COMBINATION WATER BOTTLE CARRIER AND PURSE

D. 340,583 10/1993 Kahn D3/202
5,147,079 9/1992 Heather 224/148

[76] Inventor: Lori E. Ryker, 1021 7th Ave. N.,
Apt. No. 4, Fargo, N. Dak. 58102

Primary Examiner—Louis S. Zarfes
Attorney, Agent, or Firm—Gunn, Lee & Miller

[**] Term: 14 Years

[57] CLAIM

[21] Appl. No.: 5,511

The ornamental design for a combination water bottle carrier and purse, as shown and described.

[22] Filed: Mar. 8, 1993

[52] U.S. Cl. D3/202; D3/229;
D3/233

DESCRIPTION

[58] Field of Search D3/201, 202, 232, 233,
D3/243, 246, 285, 287, 303, 229; 150/100, 106,
107, 111, 112; 383/907; 224/148, 250

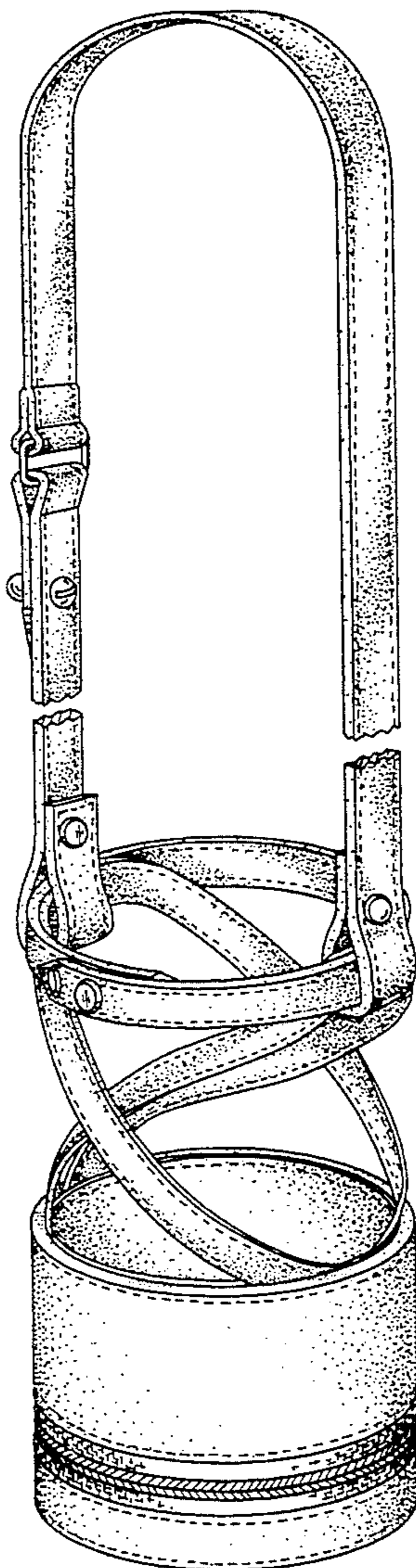
FIG. 1 is a top, left, front perspective view showing my new design.

FIG. 2 is a front elevation view thereof;
FIG. 3 is a right side elevation view thereof;
FIG. 4 is a rear elevation view thereof;
FIG. 5 is a left side elevation view thereof;
FIG. 6 is a bottom plan view thereof;
FIG. 7 is a top plan view thereof; and,
FIG. 8 is a top, left, front perspective view thereof with the purse section opened.

[56] References Cited

U.S. PATENT DOCUMENTS

D. 59,662 11/1921 Lauzon D3/202 X
D. 155,811 11/1949 Kigere D3/233
D. 335,957 6/1993 Cantrell et al. D3/232 X



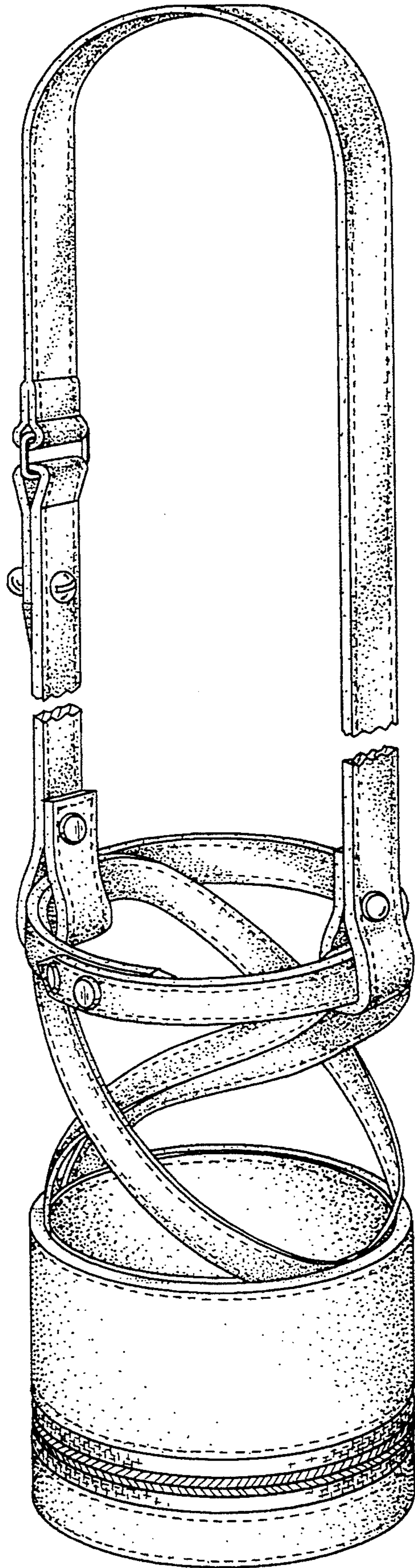


Fig. 1

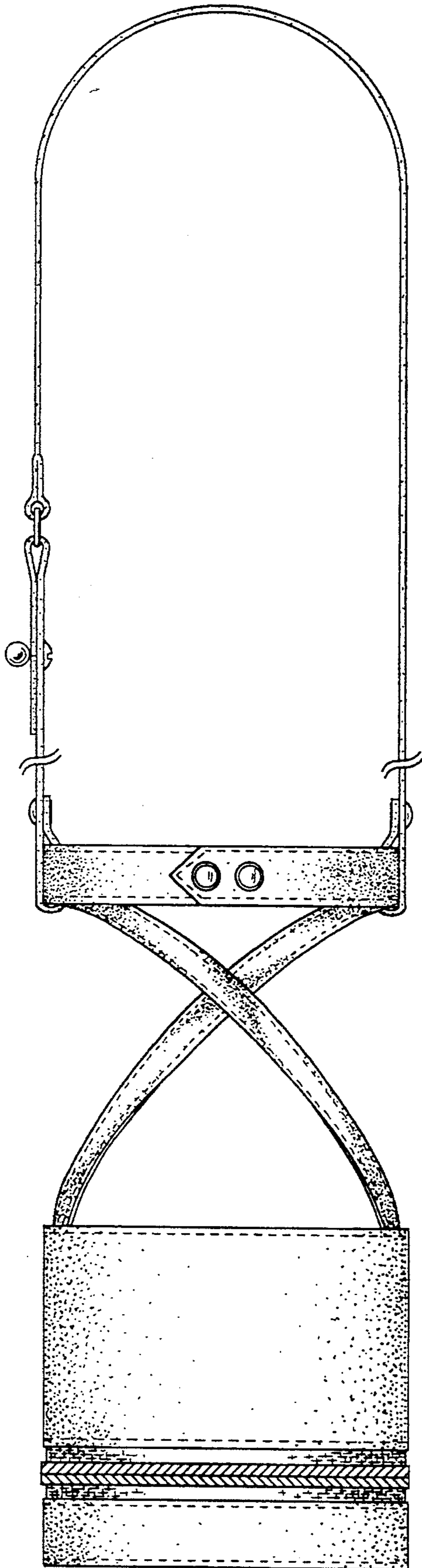


Fig. 2

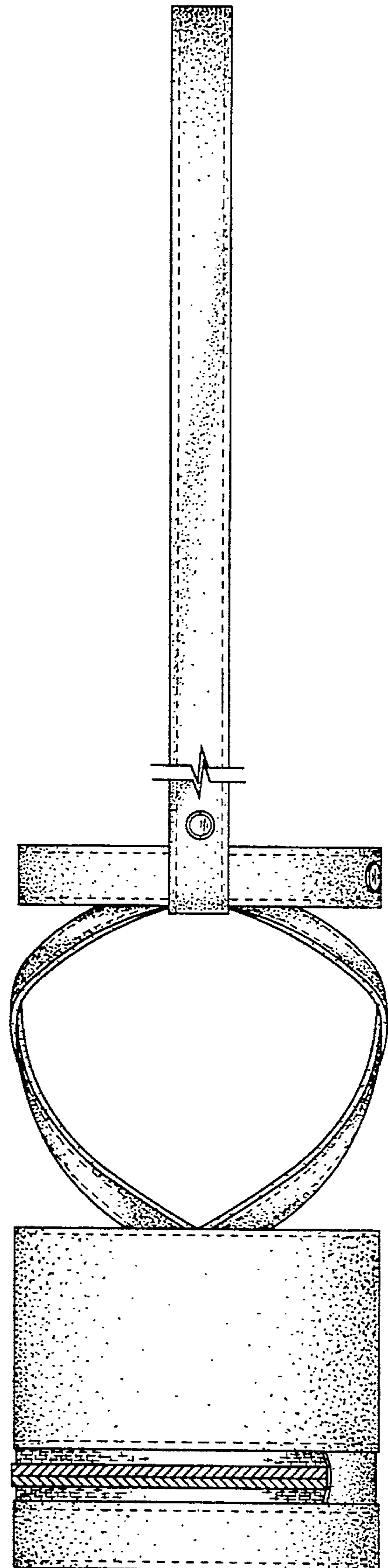


Fig. 3

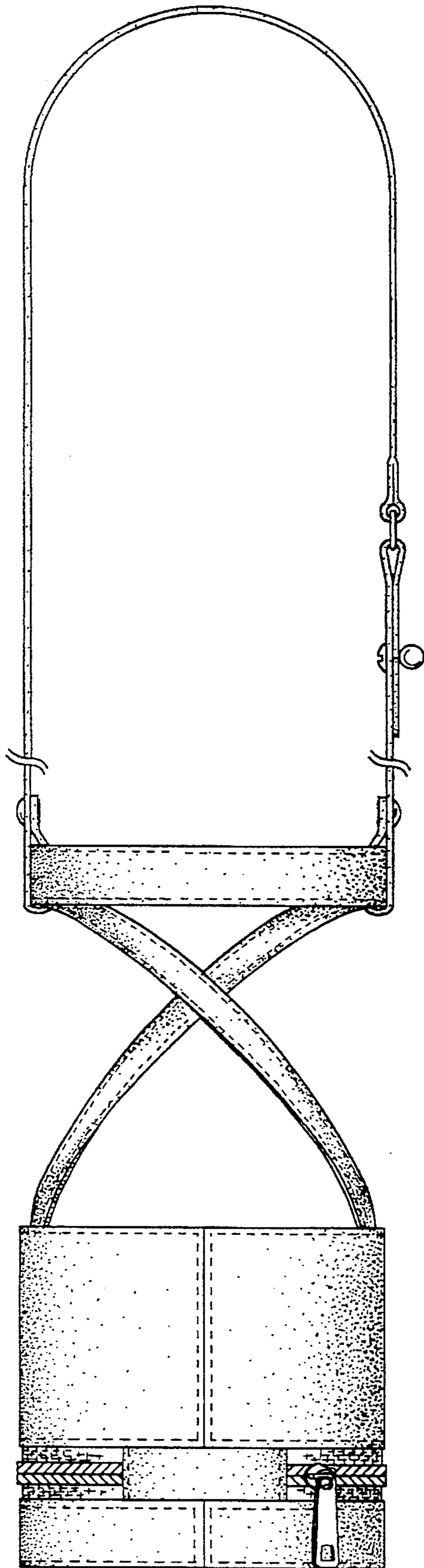


Fig. 4

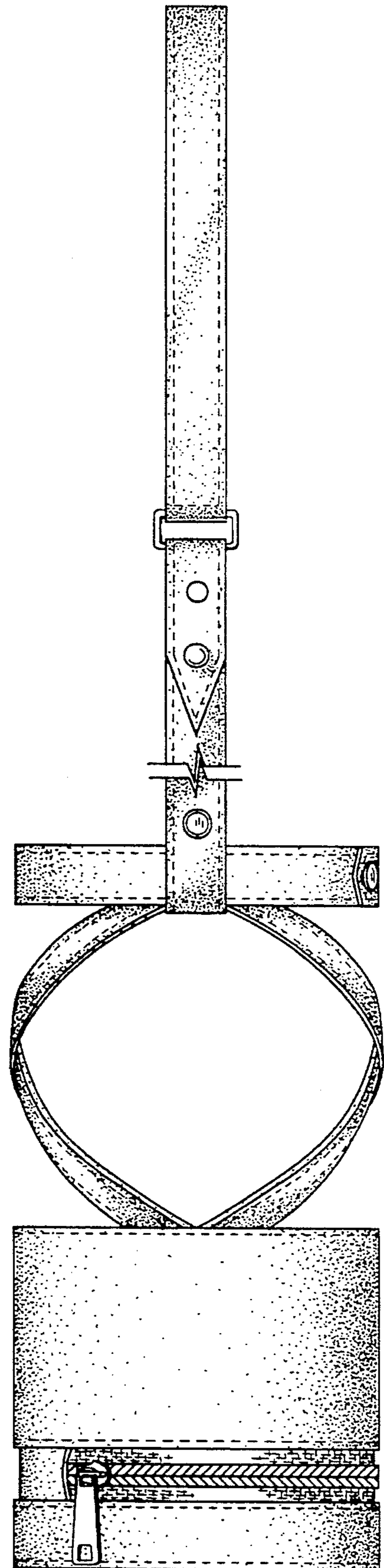


Fig. 5

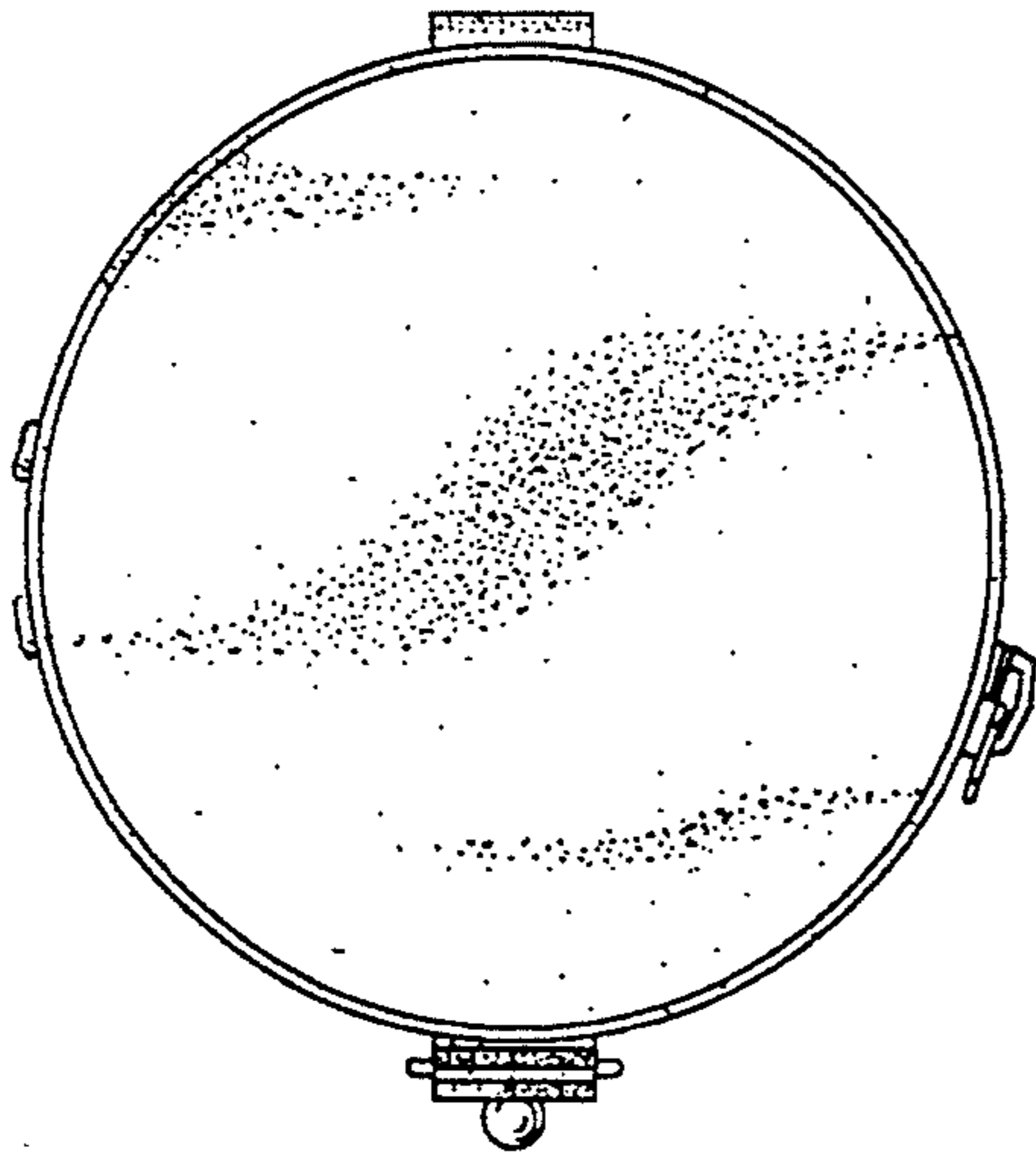


Fig. 6

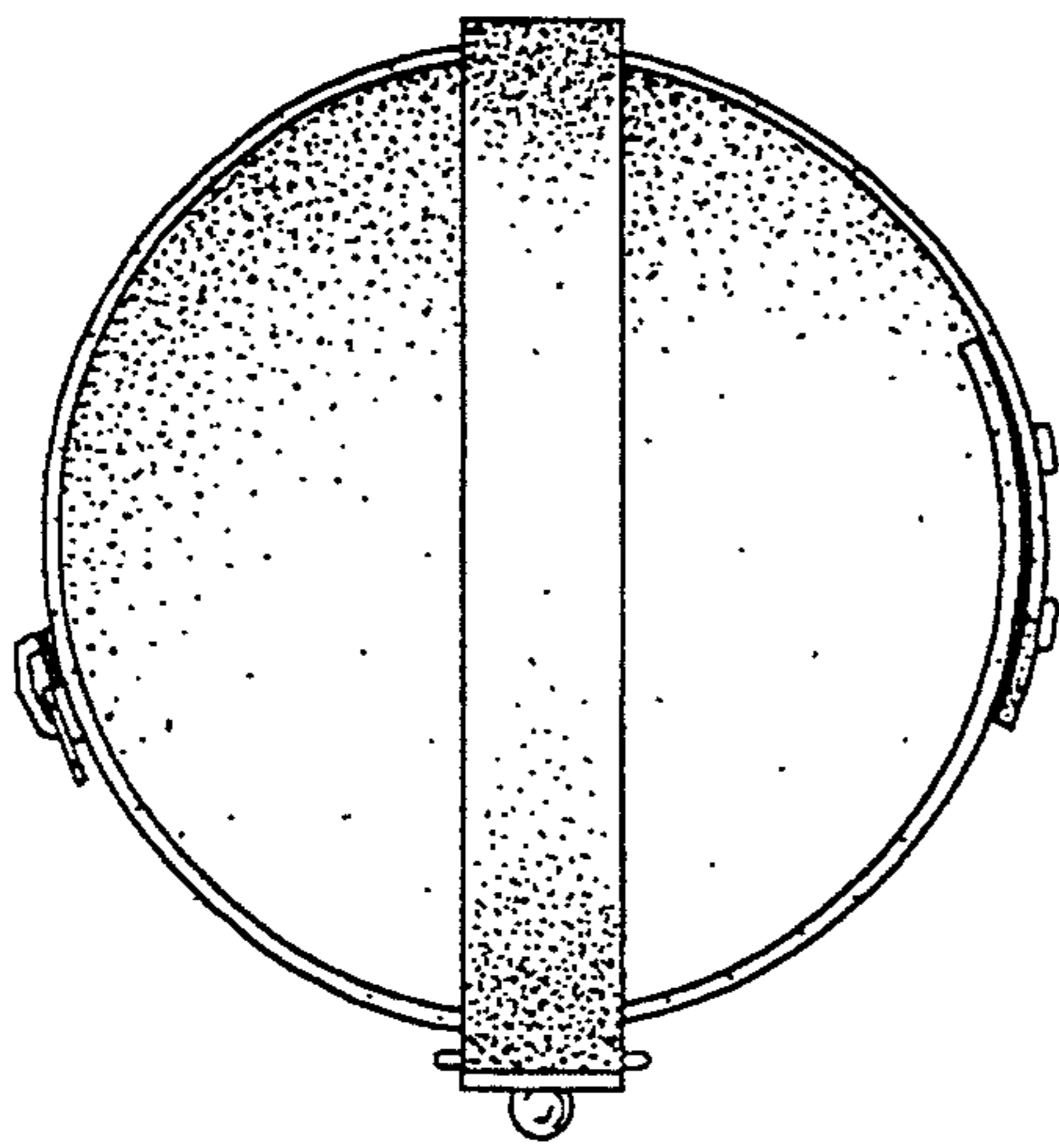


Fig. 7

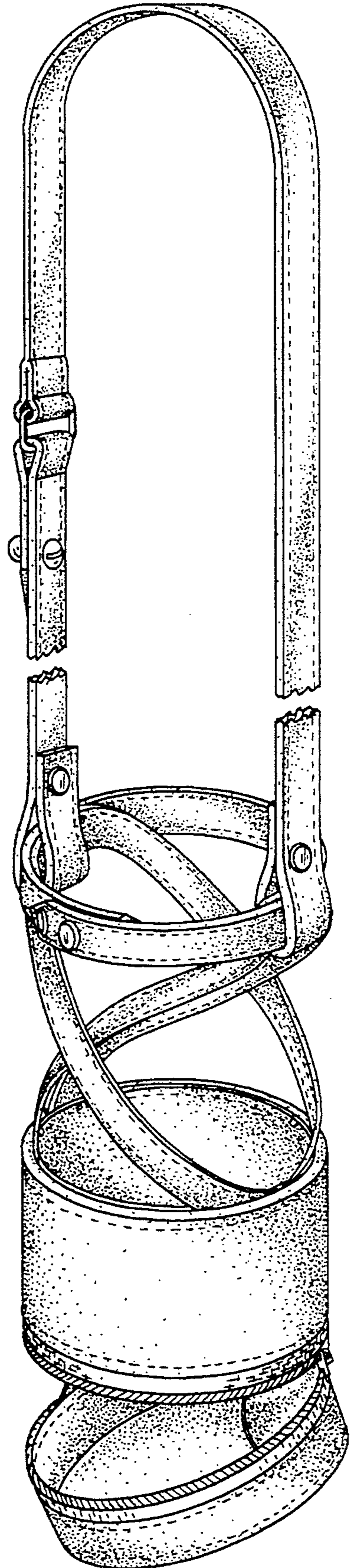


Fig. 8