



US00D350017S

# United States Patent [19]

Sarkinen

[11] Patent Number: **Des. 350,017**

[45] Date of Patent: **\*\* Aug. 30, 1994**

[54] **BLADDER FOR A SHOE SOLE**

[75] Inventor: **Larry R. Sarkinen**, Vancouver, Wash.

[73] Assignee: **Nike, Inc.**, Beaverton, Oreg.

[\*\*] Term: **14 Years**

[21] Appl. No.: **7,934**

[22] Filed: **Apr. 20, 1993**

[52] U.S. Cl. .... **D2/961**

[58] Field of Search ..... **D2/264, 265, 314, 317-323, D2/961; 36/3 B, 23 R, 28, 29, 35 B, 43, 44, 83, 84, 89, 100-107, 113, 114, 132, 136, 153; D3/54**

4,970,807 11/1990 Anderie et al. .... 36/28

4,972,611 11/1990 Swartz et al. .... 36/28

4,991,317 2/1991 Lakic ..... 36/44

5,005,300 4/1991 Diaz et al. .... 36/114

5,042,176 8/1991 Rudy ..... 36/29

5,131,174 7/1992 Drew et al. .... 36/35 B

### FOREIGN PATENT DOCUMENTS

83999 7/1957 Denmark .

0198951 10/1985 European Pat. Off. .

798246 9/1935 France .

454529 10/1936 United Kingdom .

2183446 6/1987 United Kingdom .

2188825 10/1987 United Kingdom .

### OTHER PUBLICATIONS

Exhibits A-G, Photographs of Bladders (date unknown).

*Primary Examiner*—Louis S. Zarfaz  
*Attorney, Agent, or Firm*—Banner, Birch, McKie & Beckett

### [57] CLAIM

The ornamental design for a bladder for a shoe sole, as shown and described.

### DESCRIPTION

FIG. 1 is a perspective view of an inflatable bladder for a shoe sole showing my new design;  
 FIG. 2 is a top plan view thereof;  
 FIG. 3 is a left side elevational view thereof;  
 FIG. 4 is a right side elevational view thereof;  
 FIG. 5 is a front view thereof;  
 FIG. 6 is a rear view thereof;  
 FIG. 7 is a cross-sectional view taken transversely through the valve stem area along the line 8—8 of FIG. 2; and,  
 FIG. 8 is a cross-sectional view taken longitudinally along the line 7—7 of FIG. 2.  
 The broken line showing of the valve stem and mold pin mounting holes are for illustrative purposes only and forms no part of the claimed design.

[56] **References Cited**  
**U.S. PATENT DOCUMENTS**

D. 117,383 10/1939 Perault .

D. 300,084 3/1989 Ito et al. .... D2/318

D. 300,085 3/1989 Ito et al. .... D2/318

D. 316,633 5/1991 Markowitz ..... D3/54

1,435,602 11/1922 Hanson ..... 36/153

1,517,171 11/1924 Rosenwasser .

1,910,609 5/1933 Keller .

1,976,656 10/1934 Clark .

2,004,906 6/1935 Simister .

2,080,469 5/1937 Gilbert .

2,177,116 10/1939 Persichino .

2,286,495 6/1942 Matteson .

2,330,398 9/1943 Vass .

3,160,963 12/1964 Aaskov .

4,317,293 3/1982 Sigle et al. .... 36/43

4,442,612 4/1984 Hauser ..... 36/43

4,445,283 5/1984 Meyers ..... 36/29

4,471,538 9/1984 Pomeranz et al. .... 36/28

4,486,964 12/1984 Rudy ..... 36/28

4,499,672 2/1985 Kim ..... 36/3 B

4,817,304 4/1989 Parker et al. .... 36/114

4,862,604 9/1989 Hauser ..... 36/43

4,906,502 3/1990 Rudy ..... 36/29 X

4,912,861 4/1990 Huang ..... 36/29

4,936,029 1/1990 Rudy ..... 36/29

4,962,593 10/1990 Brown ..... 36/44

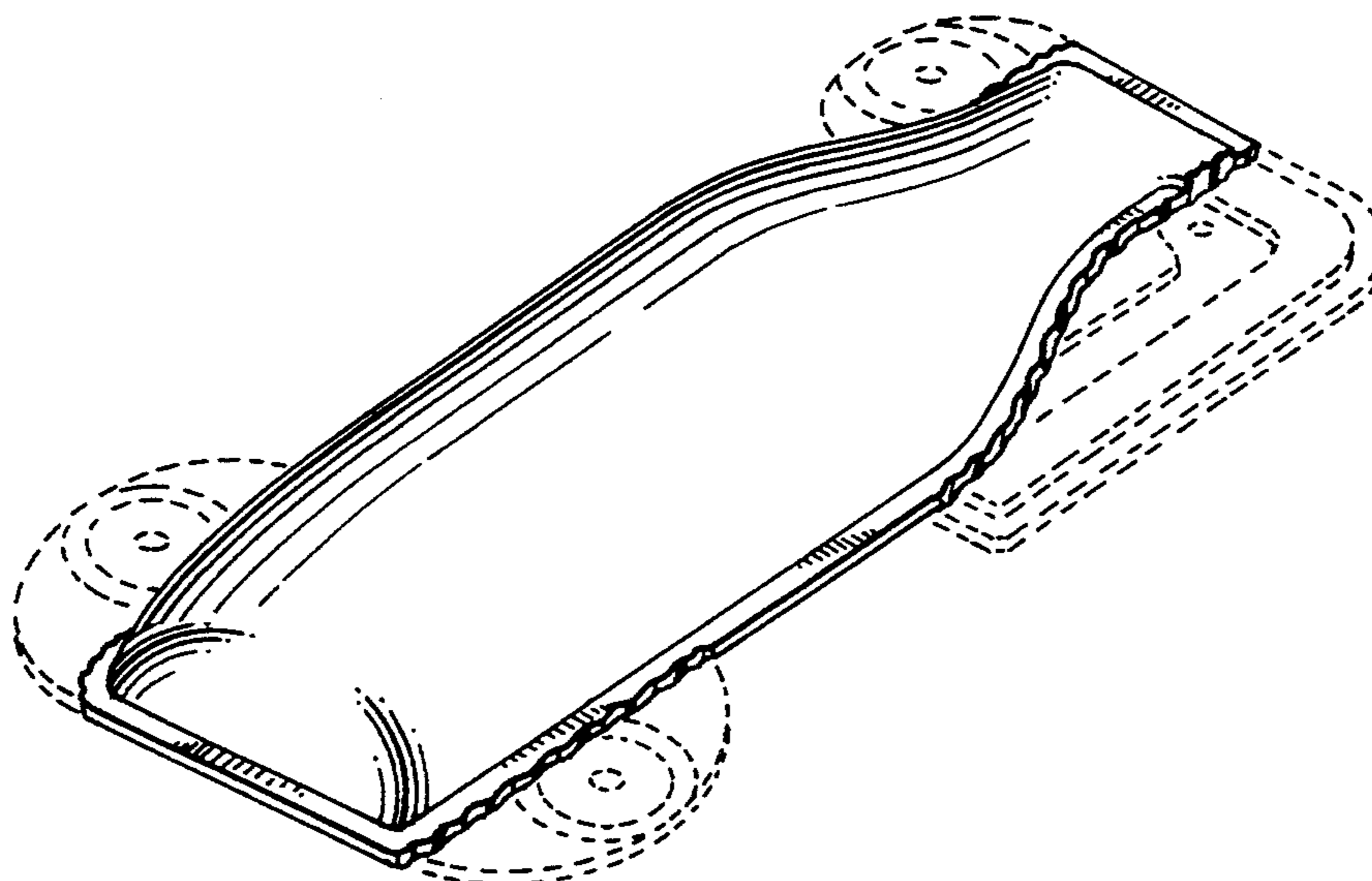


FIG. 1

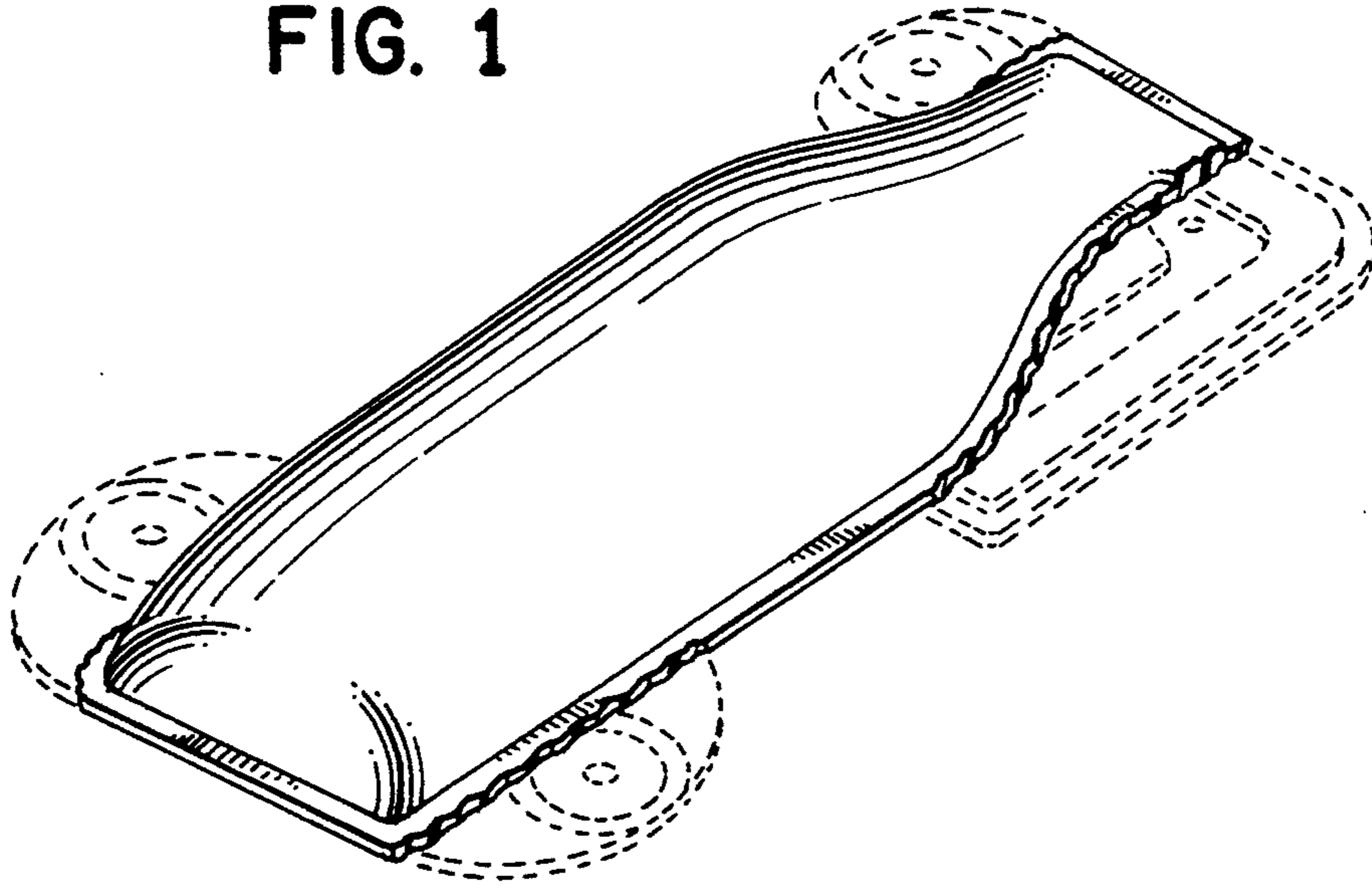


FIG. 2

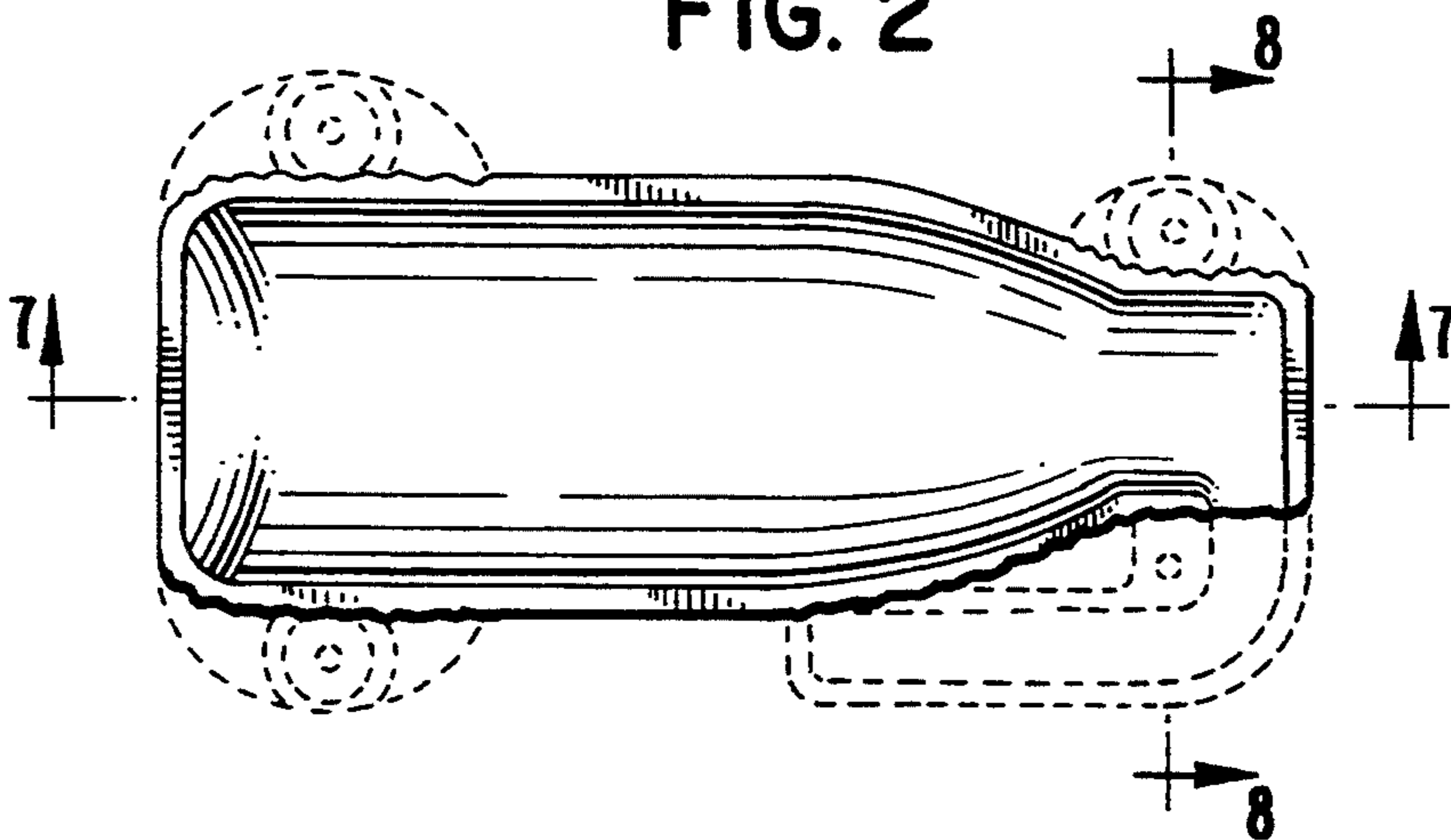


FIG. 3

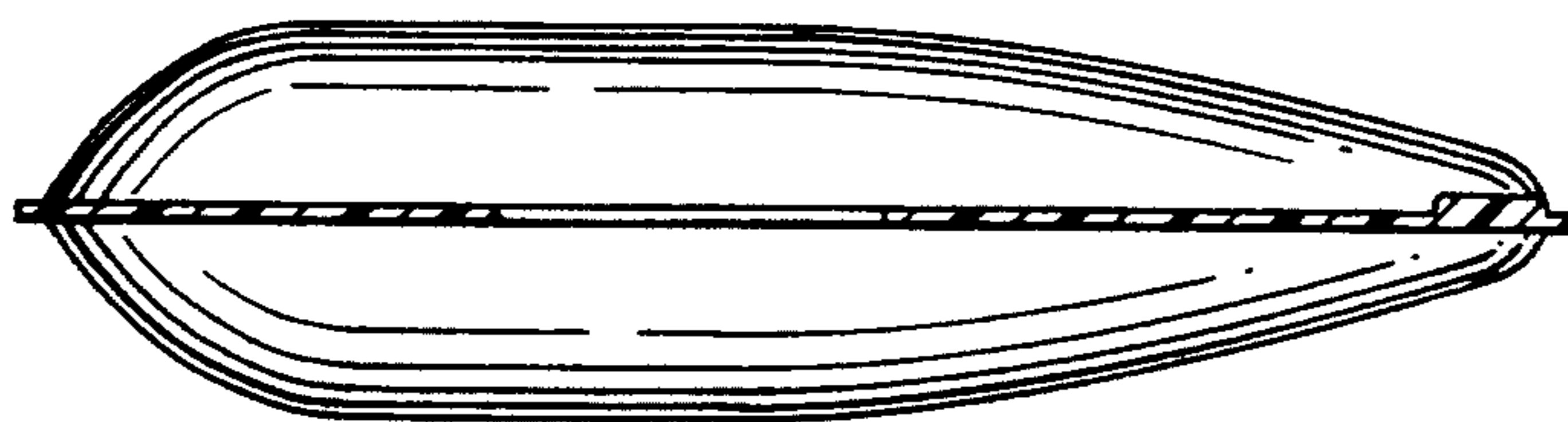


FIG. 4

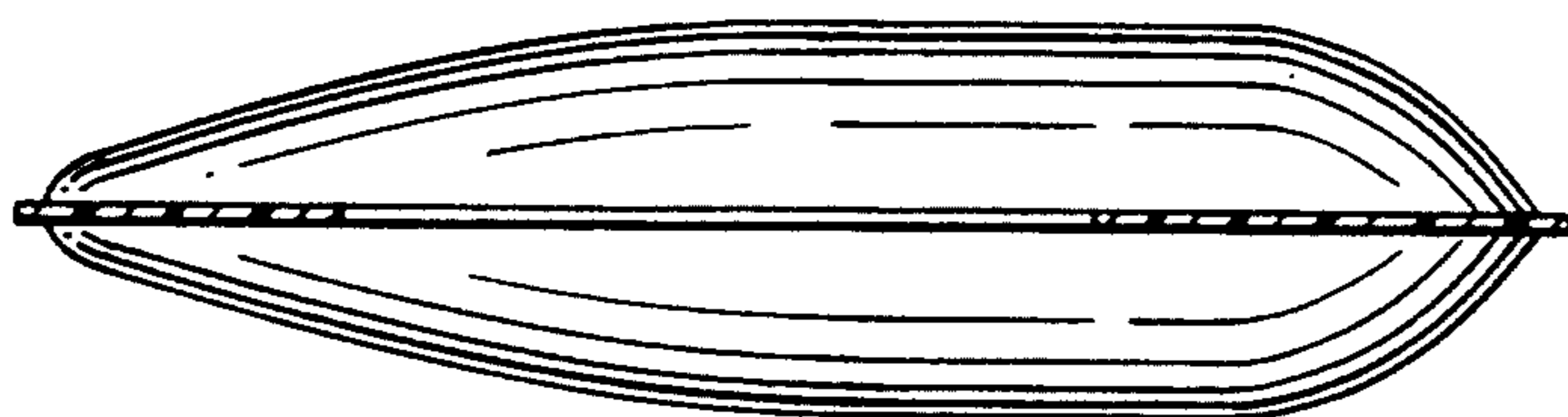


FIG. 5

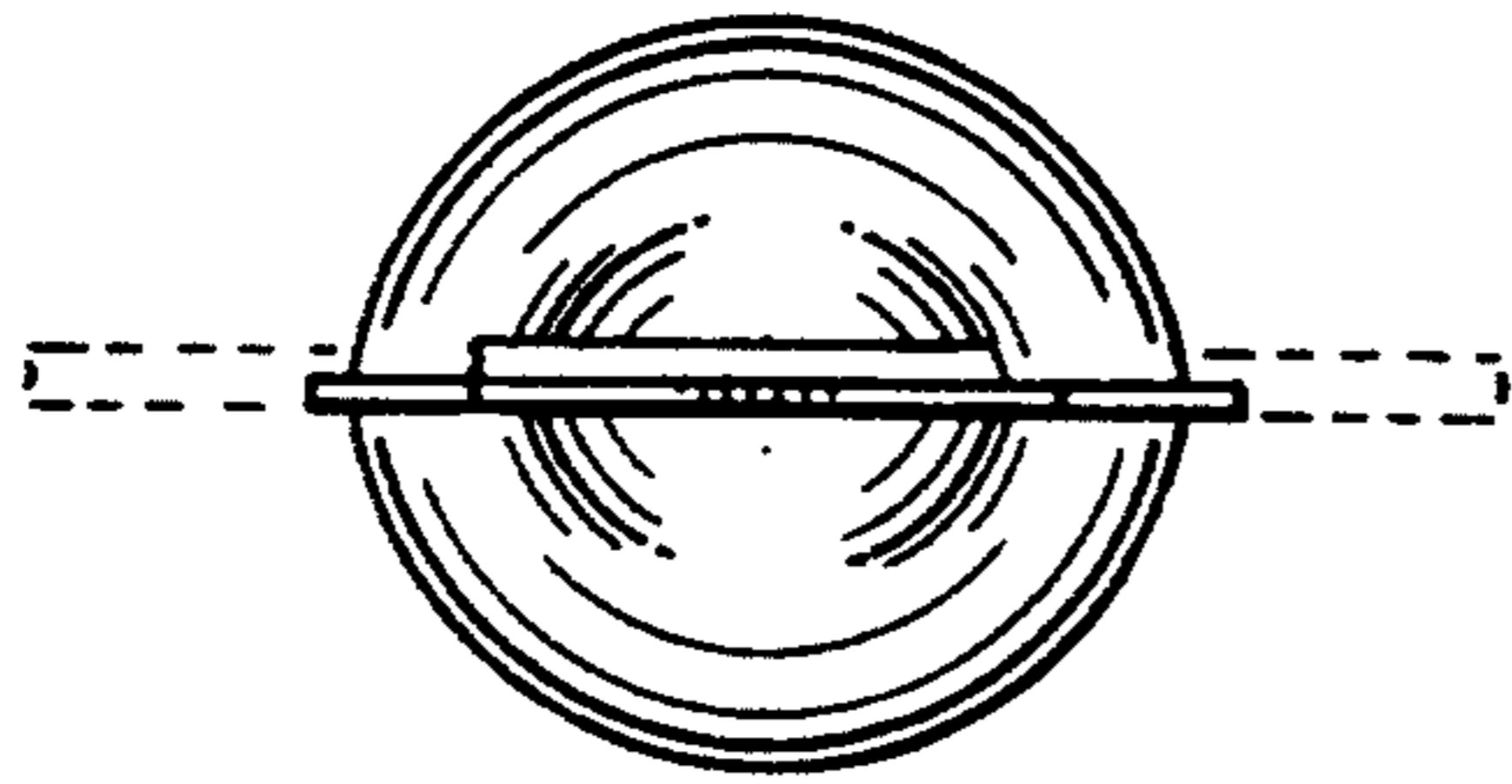


FIG. 6

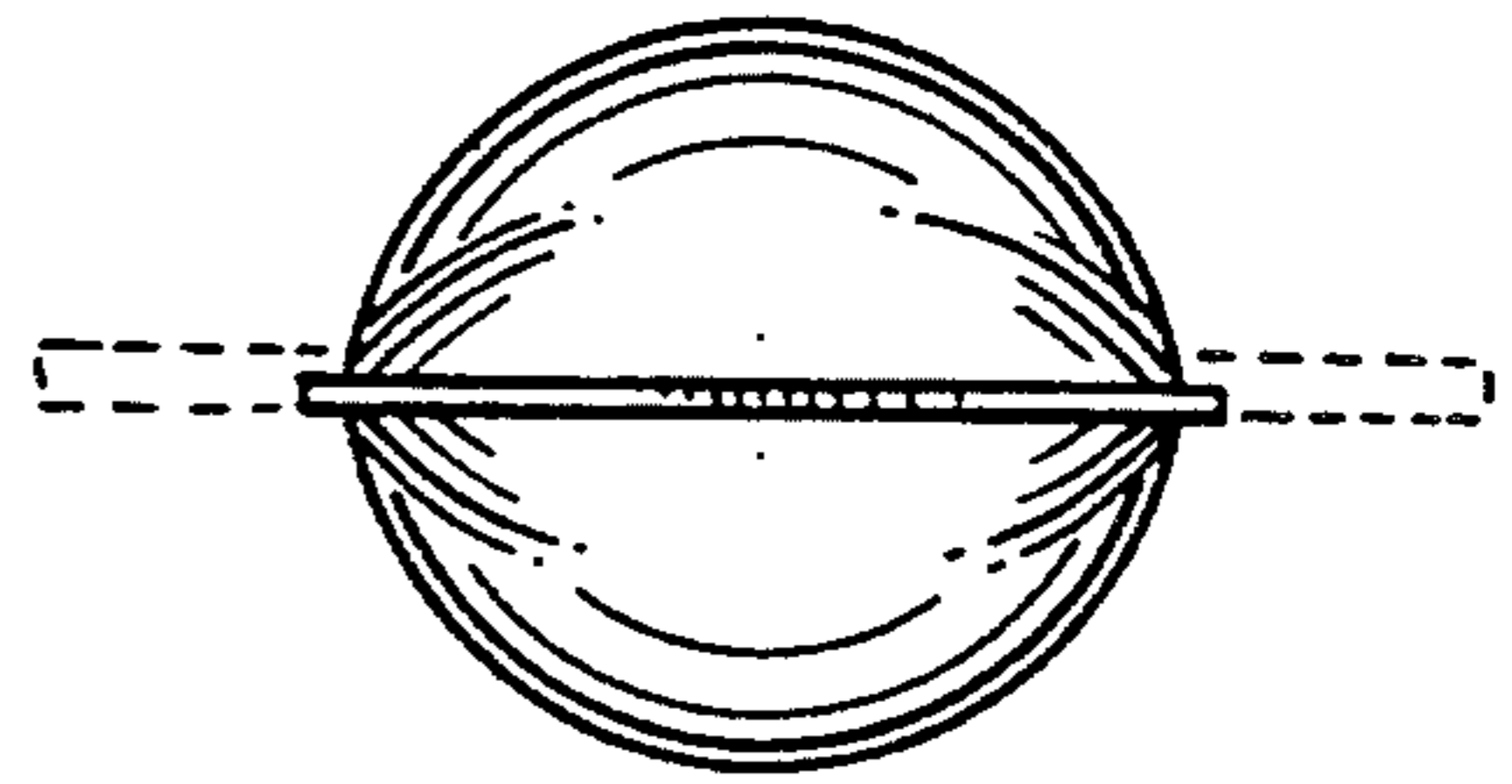


FIG. 7

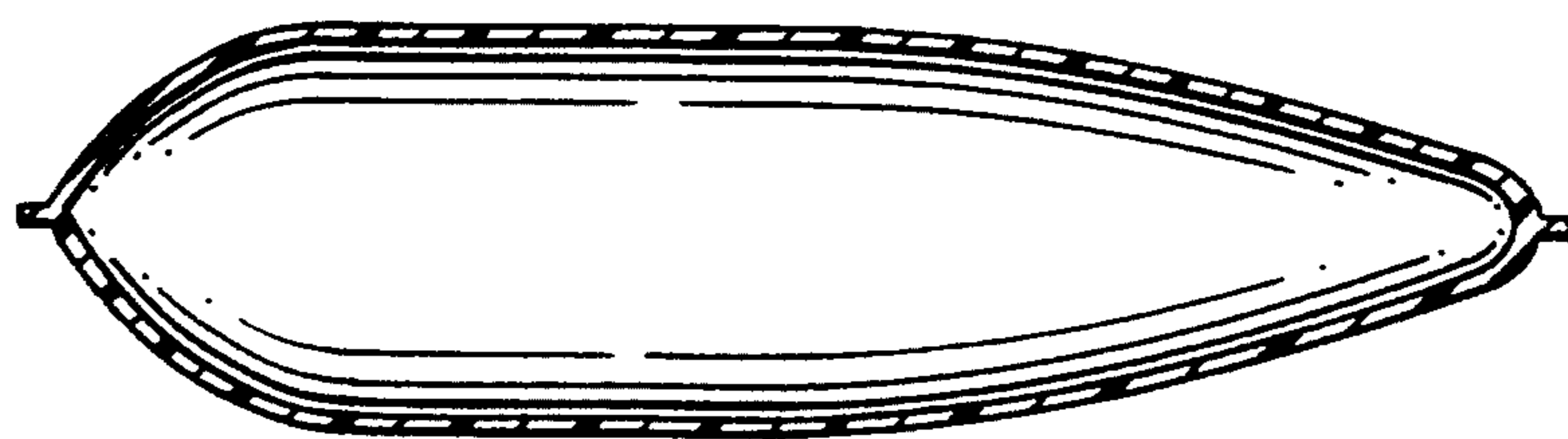


FIG. 8

