



US00D350016S

United States Patent [19]

[11] Patent Number: **Des. 350,016**

Passke et al.

[45] Date of Patent: **** Aug. 30, 1994**

- [54] **ELEMENT OF A SHOE SOLE**
- [75] Inventors: **Joel L. Passke**, Portland, Oreg.;
David M. Forland, Battle Ground,
Wash.; **Robert J. Lucas**; **Michael T.**
Donaghu, both of Portland, Oreg.
- [73] Assignee: **Nike, Inc.**, Beaverton, Oreg.
- [**] Term: **14 Years**
- [21] Appl. No.: **12,387**
- [22] Filed: **Sep. 1, 1993**
- [52] U.S. Cl. **D2/946; D2/977**
- [58] Field of Search **D2/896, 946, 947, 961,**
D2/964, 977; D3/54; 36/25 R, 28, 29, 44, 45,
83, 84, 89, 102-107, 113, 1 A, 132, 137, 153;
362/103

4,747,219	5/1988	Ammendolea	36/28
4,768,295	9/1988	Ito	36/28
4,782,603	11/1988	Brown	36/29
4,817,304	4/1989	Parker et al.	36/114
4,852,274	8/1989	Wilson	36/29
4,862,604	9/1989	Hauser	36/43
4,906,502	3/1990	Rudy	36/29 X
4,912,861	4/1990	Huang	36/29
4,914,836	4/1990	Horowitz	36/28
4,936,029	1/1990	Rudy	36/29
4,962,593	10/1990	Brown	36/44
4,970,807	11/1990	Anderie et al.	36/28
4,972,611	11/1990	Swartz et al.	36/28
4,991,317	2/1991	Lakic	36/44
5,005,300	4/1991	Diaz et al.	36/114
5,042,176	8/1991	Rudy	36/29
5,131,174	7/1992	Drew et al.	36/29 X
5,188,447	2/1993	Chiang et al.	36/137 X
5,195,256	3/1993	Kim	36/28 X

[56] **References Cited**
U.S. PATENT DOCUMENTS

D. 117,383	10/1939	Perault .	
D. 296,836	7/1988	Brown et al. .	
D. 297,381	8/1988	Sugiyama .	
D. 300,084	3/1989	Ito et al. .	
D. 300,085	3/1989	Ito et al. .	
D. 316,633	5/1991	Markowitz	D3/54
D. 319,720	9/1991	Selbiger .	
D. 325,288	4/1992	Richard et al. .	
D. 326,766	6/1992	Kittle et al. .	
D. 336,771	6/1993	Hatfield et al.	D2/977
D. 336,772	6/1993	Forland et al.	D2/961
D. 341,478	11/1993	Forland et al.	D2/977
1,435,602	11/1922	Hanson	36/153
1,517,171	11/1924	Rosenwasser .	
1,910,609	5/1933	Keller .	
1,976,656	10/1934	Clark .	
2,004,906	6/1935	Simister .	
2,080,469	5/1937	Gilbert .	
2,177,116	10/1939	Persichino .	
2,286,495	6/1942	Matteson .	
2,330,398	9/1943	Vass .	
2,557,663	6/1951	Knode	362/103 X
3,160,963	12/1964	Aaskov .	
3,946,505	3/1976	Dana, III	36/137 X
4,014,115	3/1977	Reichert	36/137
4,317,293	3/1982	Single et al.	36/43
4,442,612	4/1984	Hauser	36/43
4,445,283	5/1984	Meyers	36/29
4,471,538	9/1984	Pomeranz et al.	36/28
4,486,964	12/1984	Rudy	36/28
4,499,672	2/1985	Kim	36/29 X
4,593,482	6/1986	Mayer	36/28 X

FOREIGN PATENT DOCUMENTS

83999	7/1957	Denmark .
0198951	10/1985	European Pat. Off. .
0335467	3/1989	European Pat. Off. .
798246	9/1935	France .
2614510	4/1987	France .
454529	10/1936	United Kingdom .
2183446	6/1987	United Kingdom .
2188825	10/1987	United Kingdom .

OTHER PUBLICATIONS

Exhibits A-G, Photographs of Bladders (date unknown).

Primary Examiner—Louis S. Zarfaz

Attorney, Agent, or Firm—Banner, Birch, McKie & Beckett

[57] **CLAIM**

The ornamental design for an element of a shoe sole, as shown and described.

DESCRIPTION

FIG. 1 is a right side elevational view of an element of a shoe sole showing our new design;
 FIG. 2 is a left side elevational view thereof;
 FIG. 3 is a rear elevational view thereof; and,
 FIG. 4 is a cross-section taken along the line 4—4 of FIG. 1.

The broken line showing of a shoe in FIGS. 1-3 is for illustrative purposes only and forms no part of the claimed design.

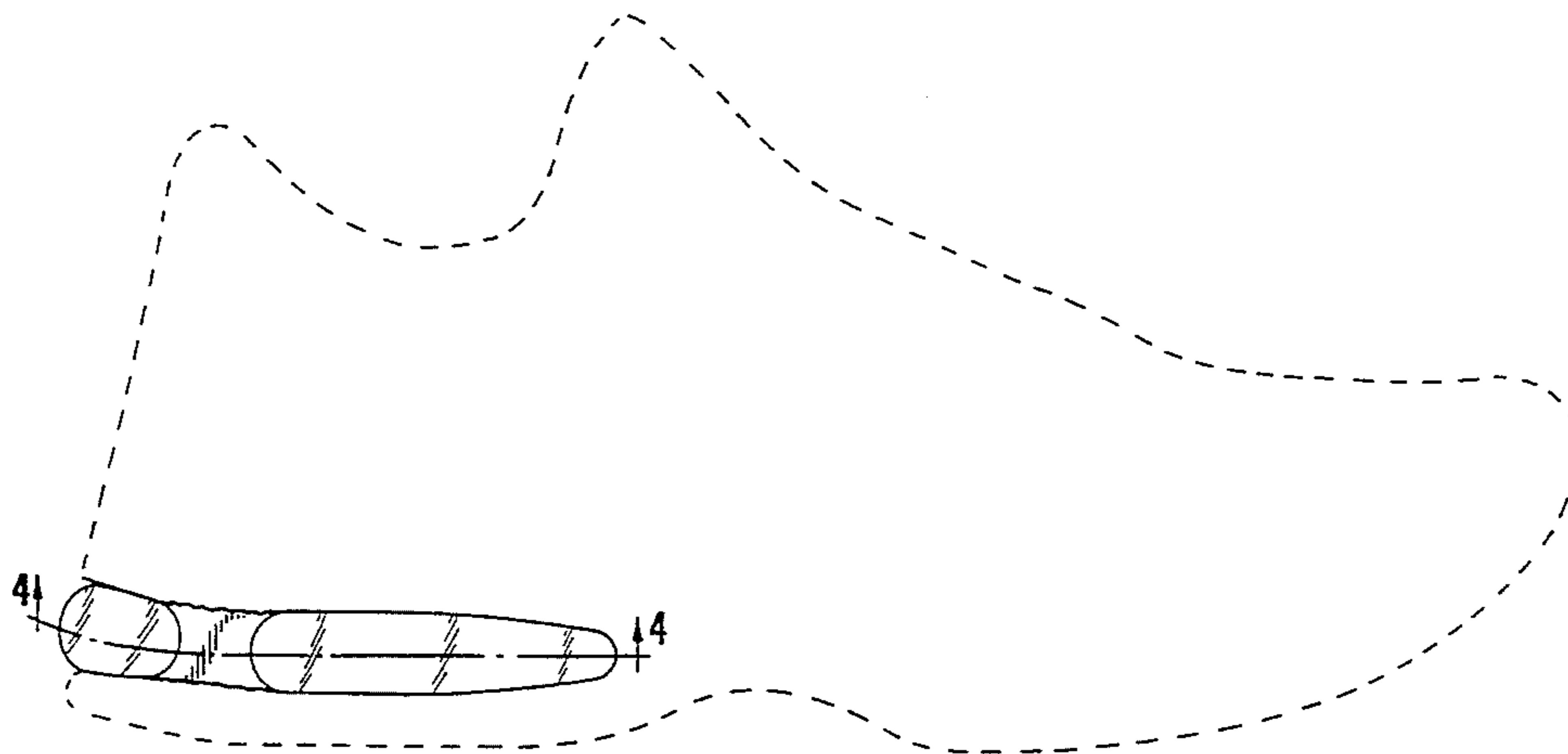
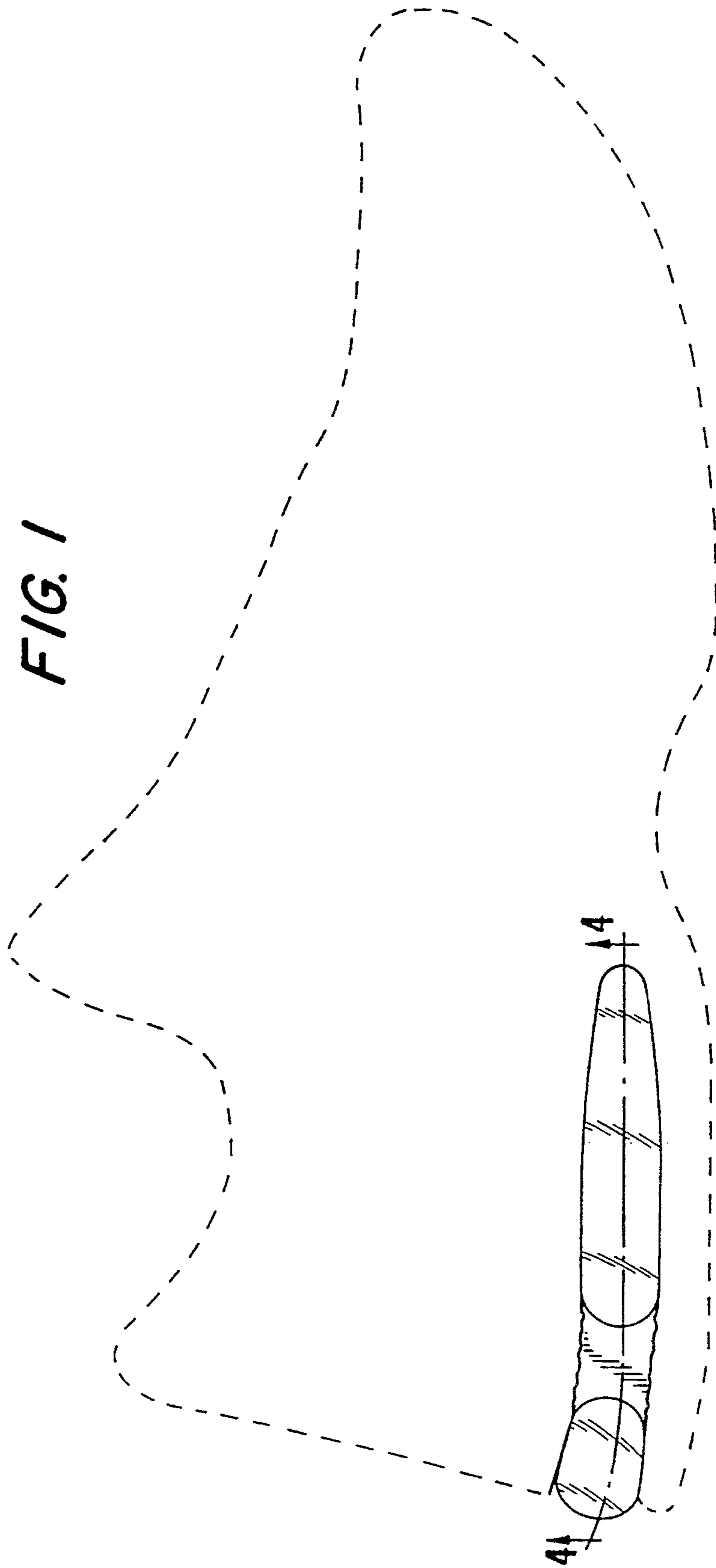


FIG. 1



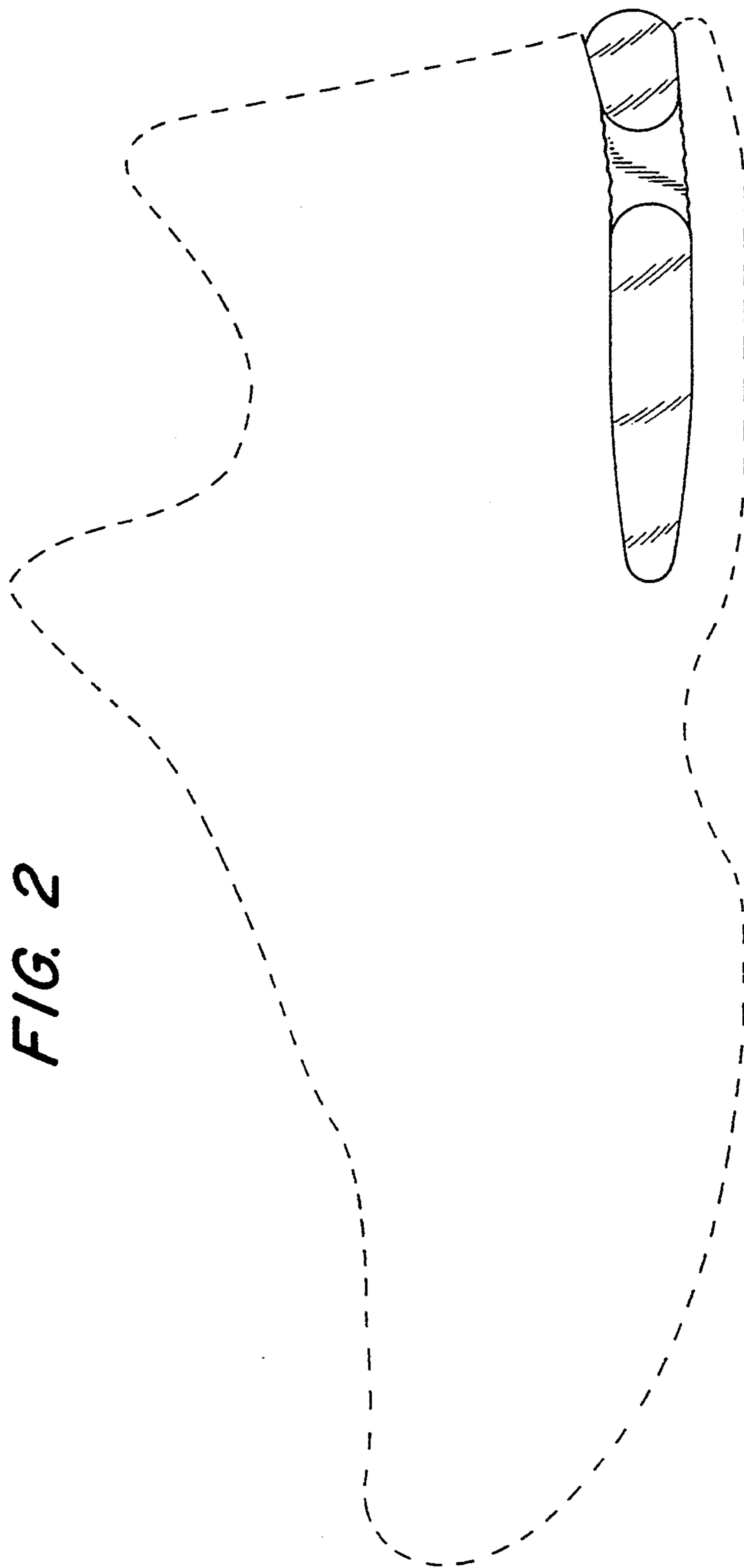


FIG. 2

FIG. 3

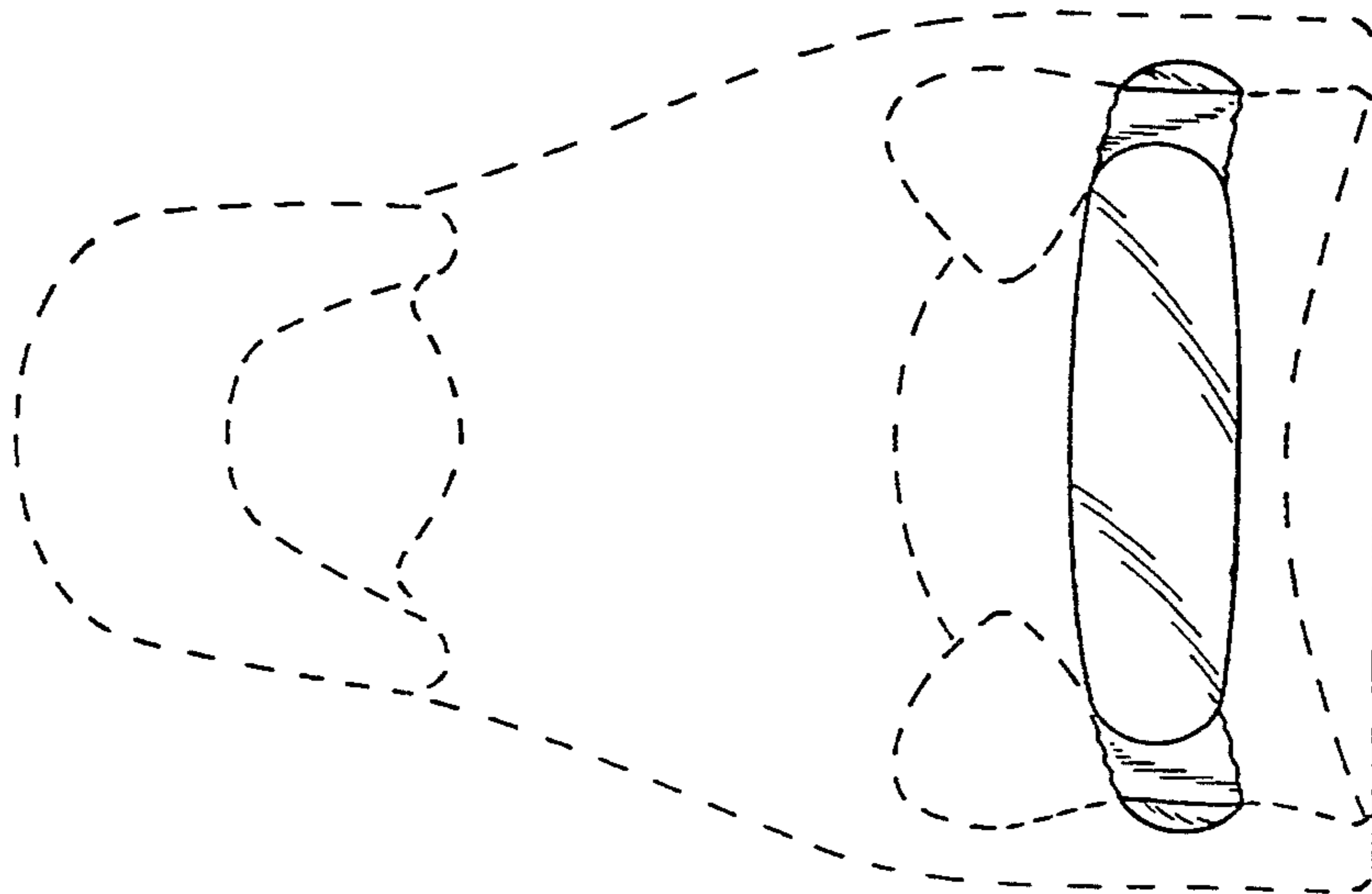


FIG. 4

