



US00D350009S

# United States Patent [19]

[11] Patent Number: Des. 350,009

Zajchowski

[45] Date of Patent: \*\* Aug. 23, 1994

[54] THERMOSTAT LOCK BOX

4,683,734 8/1987 Peterson ..... 70/163

[76] Inventor: Thaddeus Zajchowski, 60 Willow Ave., Dracut, Mass. 01826

Primary Examiner—Alan P. Douglas  
Assistant Examiner—Jeffrey H. Musgrove  
Attorney, Agent, or Firm—Pearson & Pearson

[\*\*] Term: 14 Years

### [57] CLAIM

[21] Appl. No.: 11,755

The ornamental design for a thermostat lock box, as shown and described.

[22] Filed: Aug. 13, 1993

[52] U.S. Cl. .... D99/99; D99/28

### DESCRIPTION

[58] Field of Search ..... 70/63, 466, 159, 160, 70/161, 162, 163, 164; 174/55, 52.1, 52.2; D8/331, 332, 333, 334, 335, 341, 343; D99/43, 99, 28

FIG. 1 is a front perspective view of a thermostat lock box showing my new design;

FIG. 2 is a front elevational view of a thermostat lock box thereof;

FIG. 3 is a rear elevational view of a thermostat lock box thereof;

FIG. 4 is a right side elevational view of a thermostat lock box thereof;

FIG. 5 is a left side elevational view of a thermostat lock box thereof;

FIG. 6 is a top plan view of a thermostat lock box thereof;

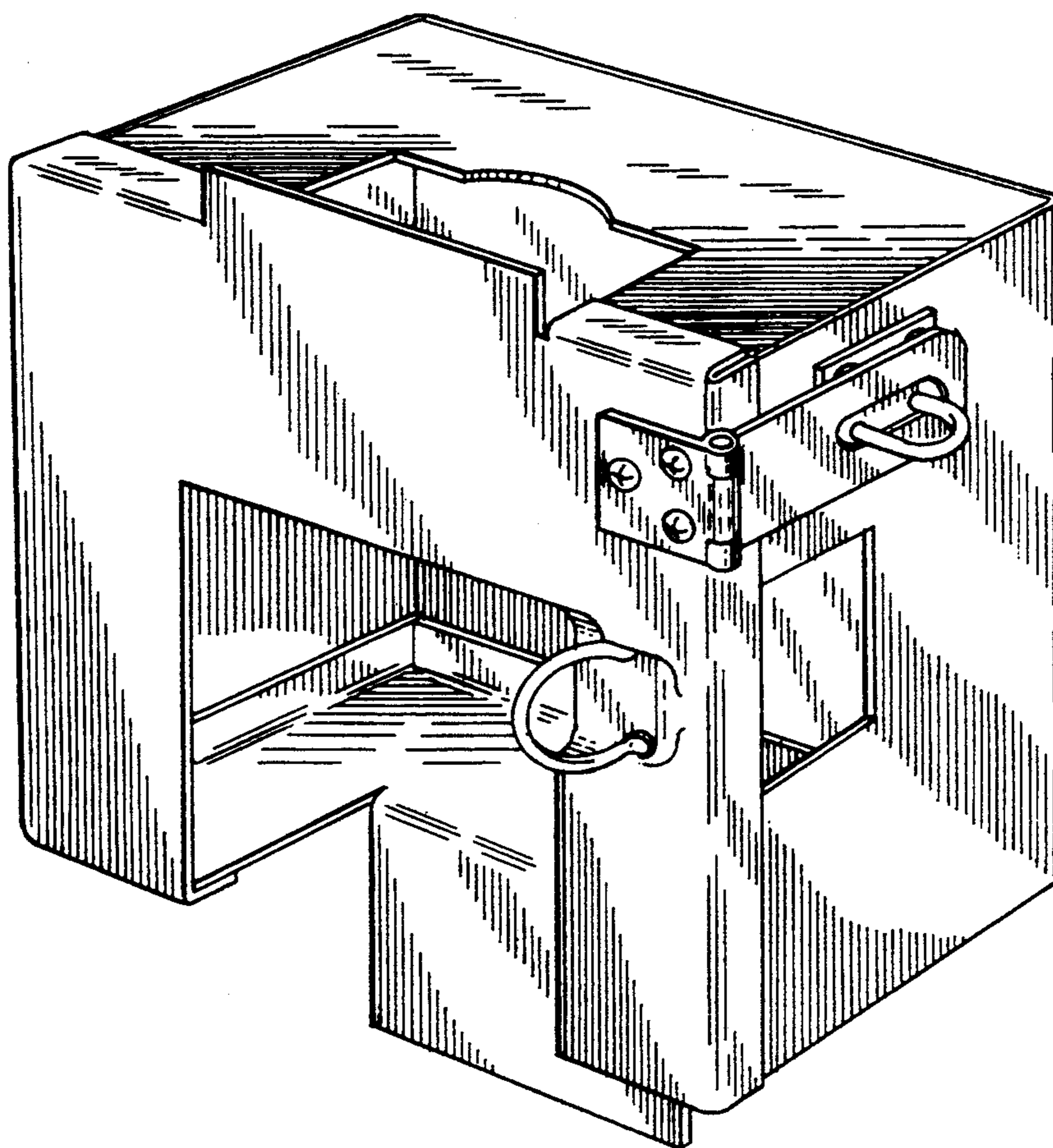
FIG. 7 is a bottom plan view of a thermostat lock box thereof; and,

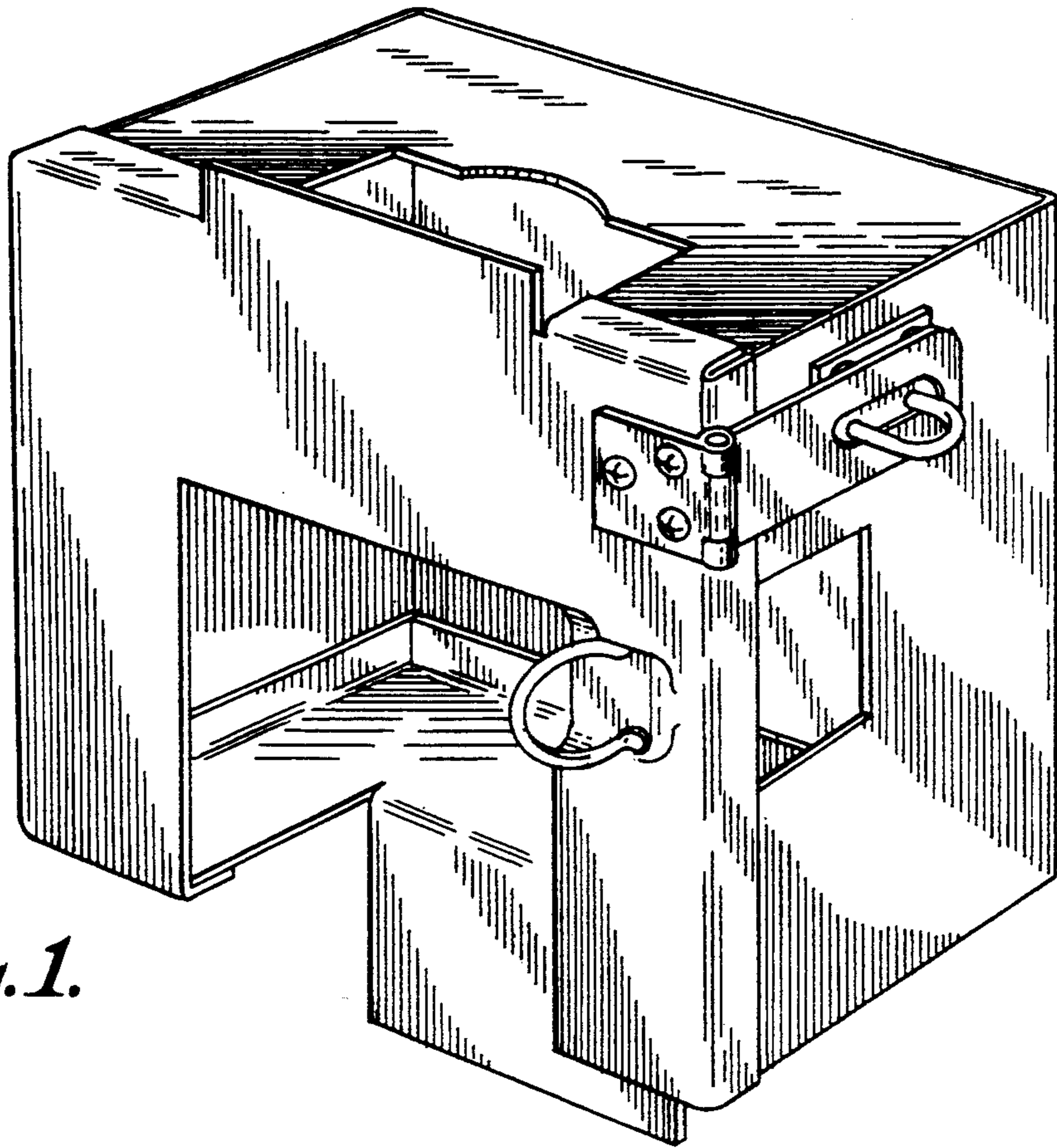
FIG. 8 is a front perspective view of a thermostat lock box in open position.

### [56] References Cited

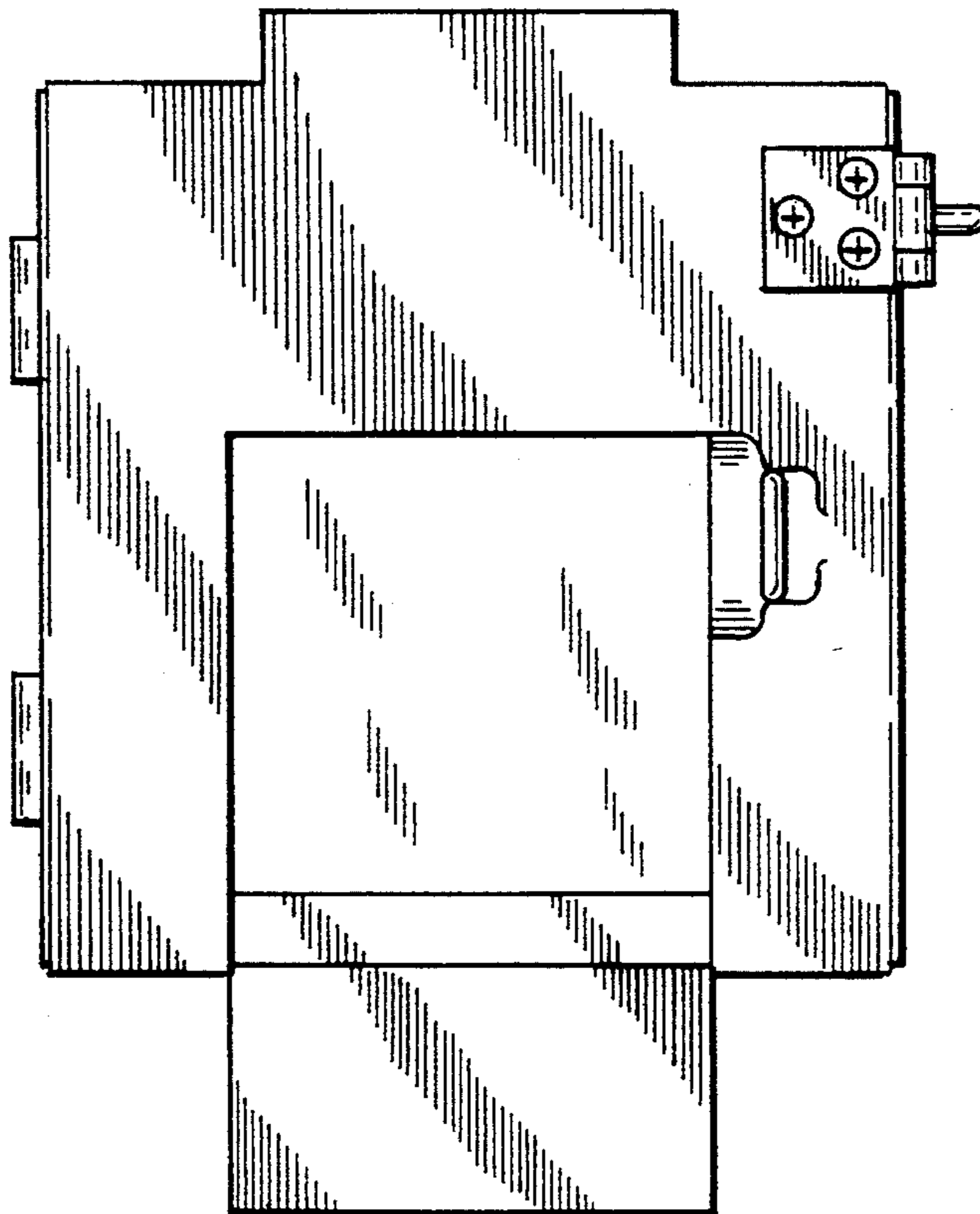
#### U.S. PATENT DOCUMENTS

D. 275,056	8/1984	Davis .....	D99/28
D. 330,792	11/1992	Colley .....	D99/28
D. 338,392	8/1993	McKernan .....	D8/343
1,945,432	1/1934	Getz .	
2,655,806	1/1950	Stiler .	
3,752,900	8/1973	Harrison et al. .	
3,771,387	11/1973	Lewis .	
4,403,646	9/1983	Fodera .	
4,663,951	5/1987	Poulin .	

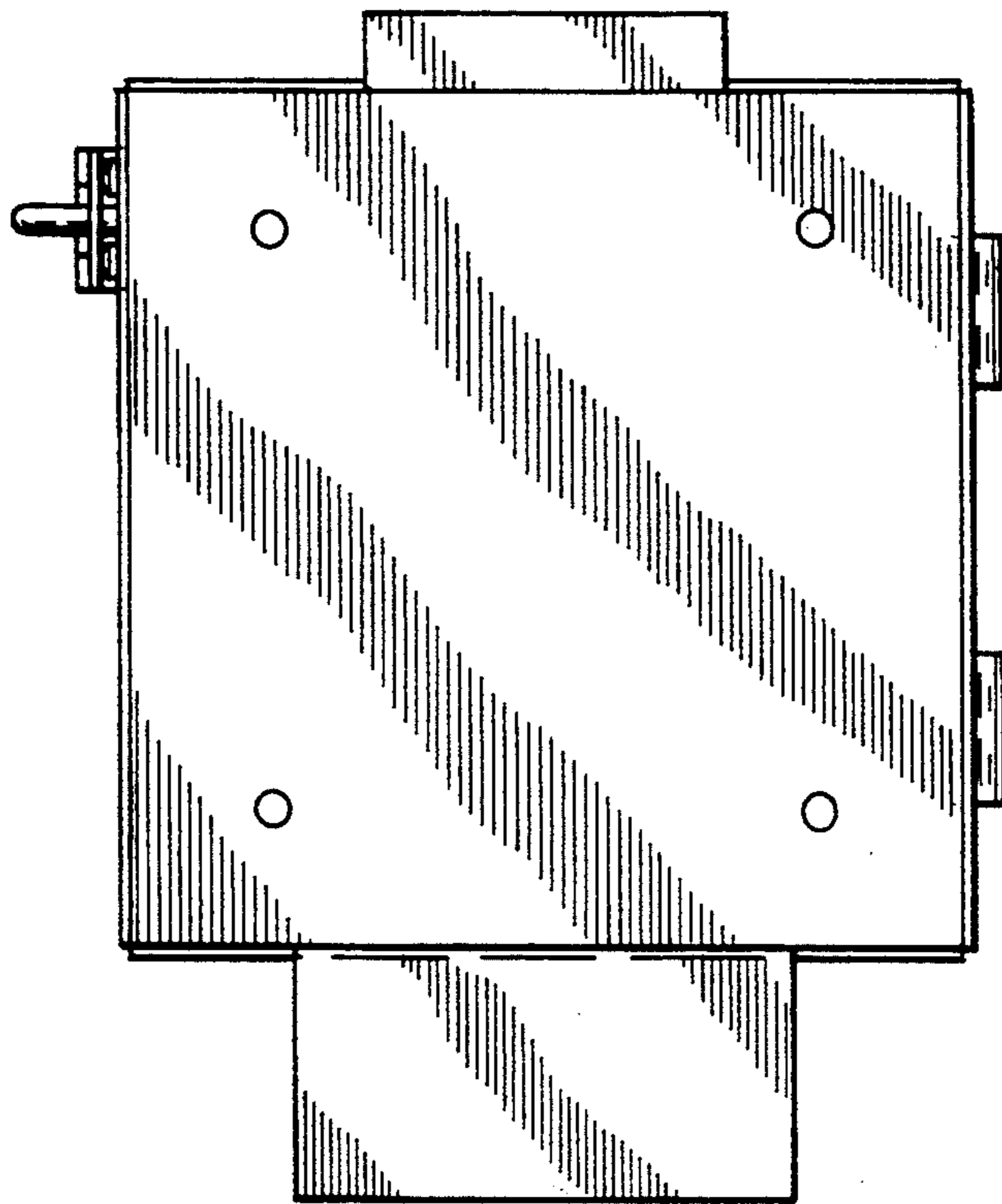




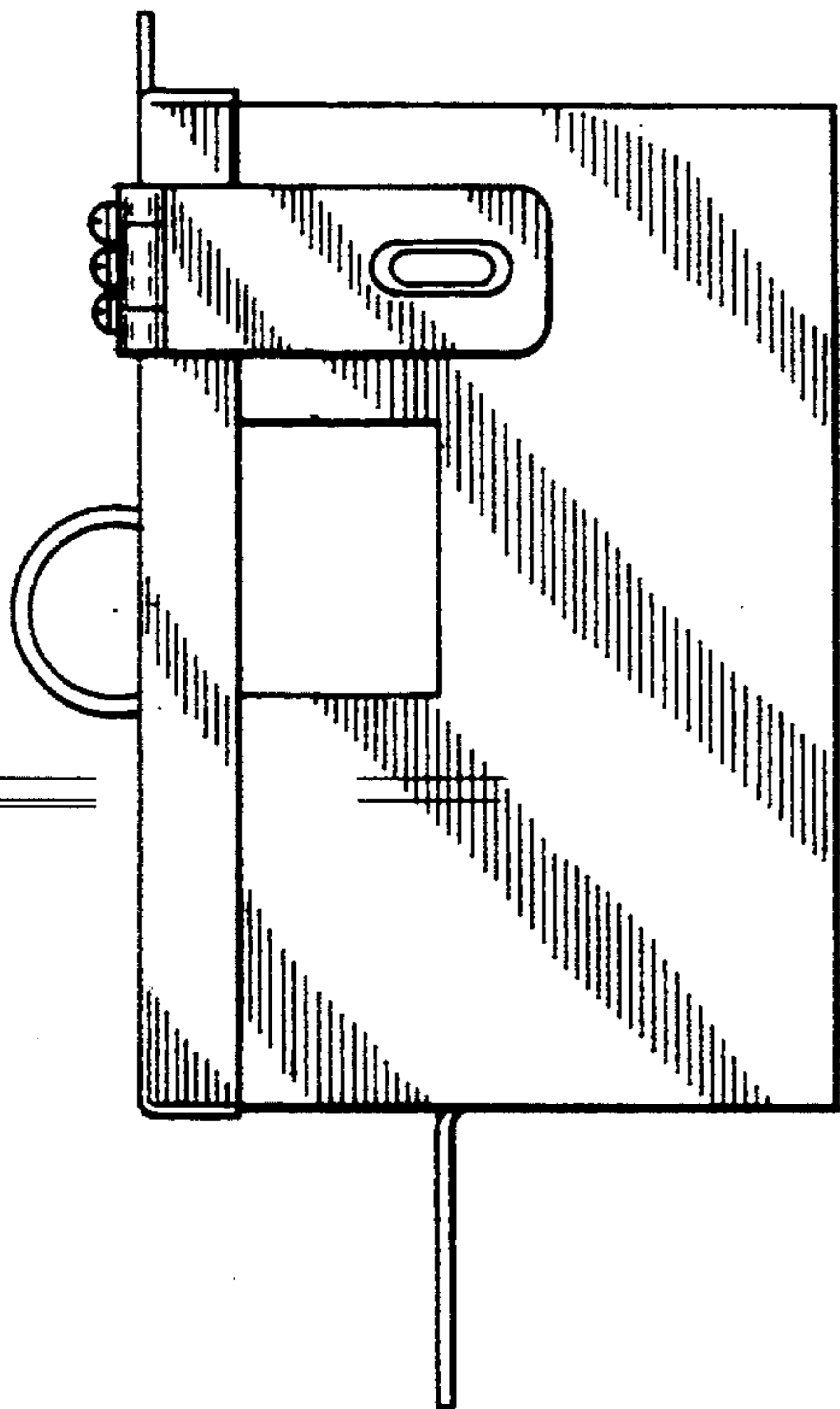
*Fig. 1.*



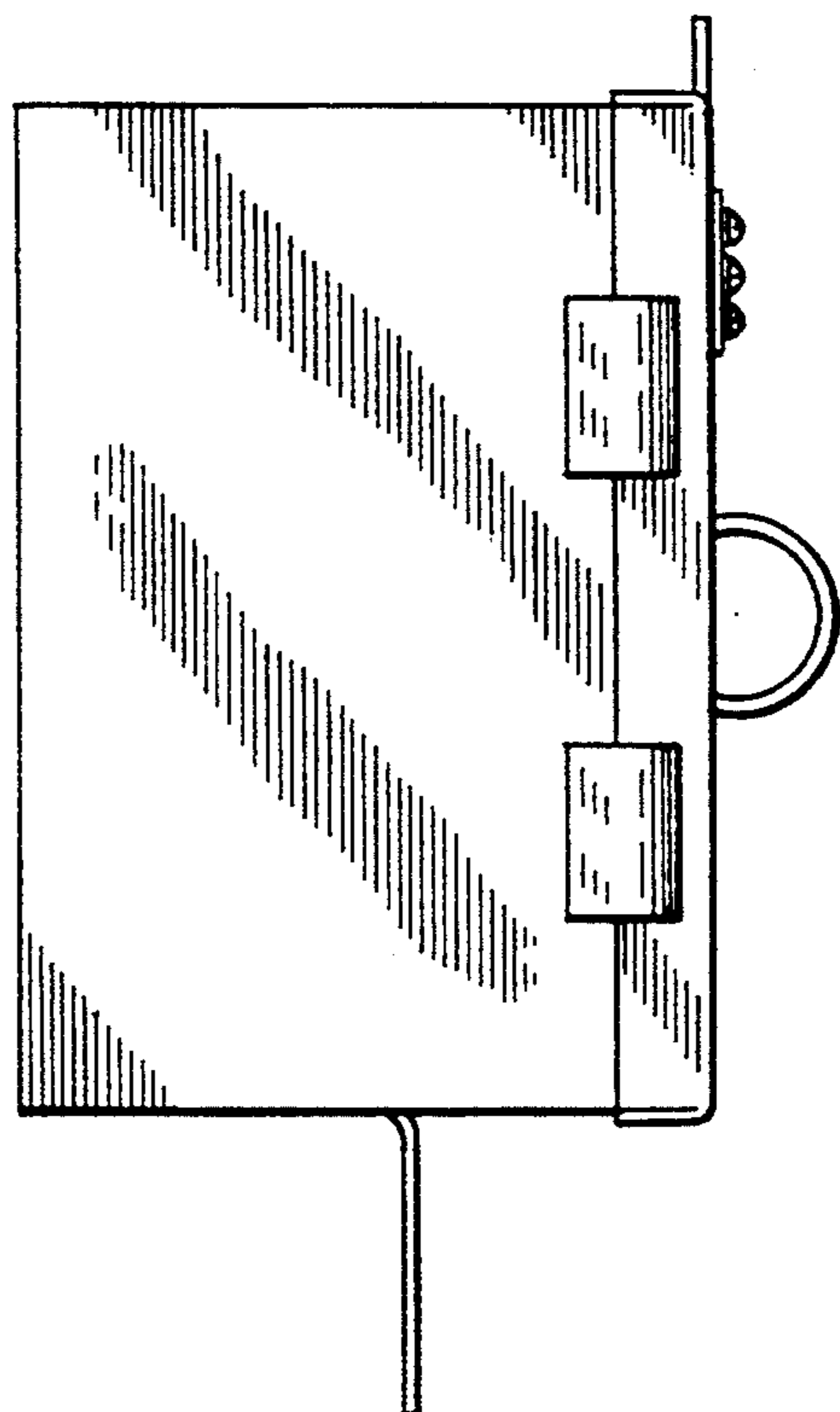
*Fig. 2.*



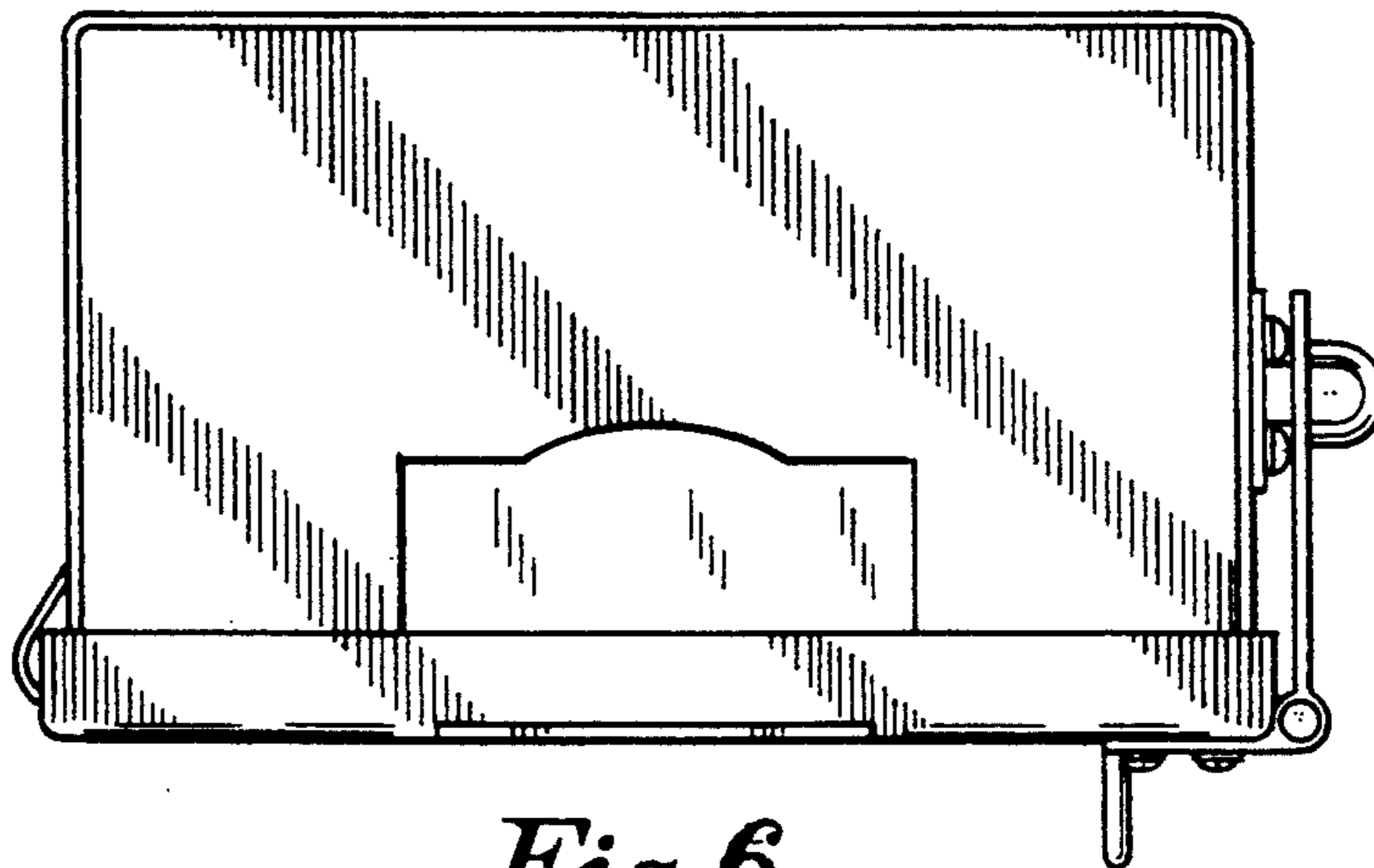
*Fig. 3.*



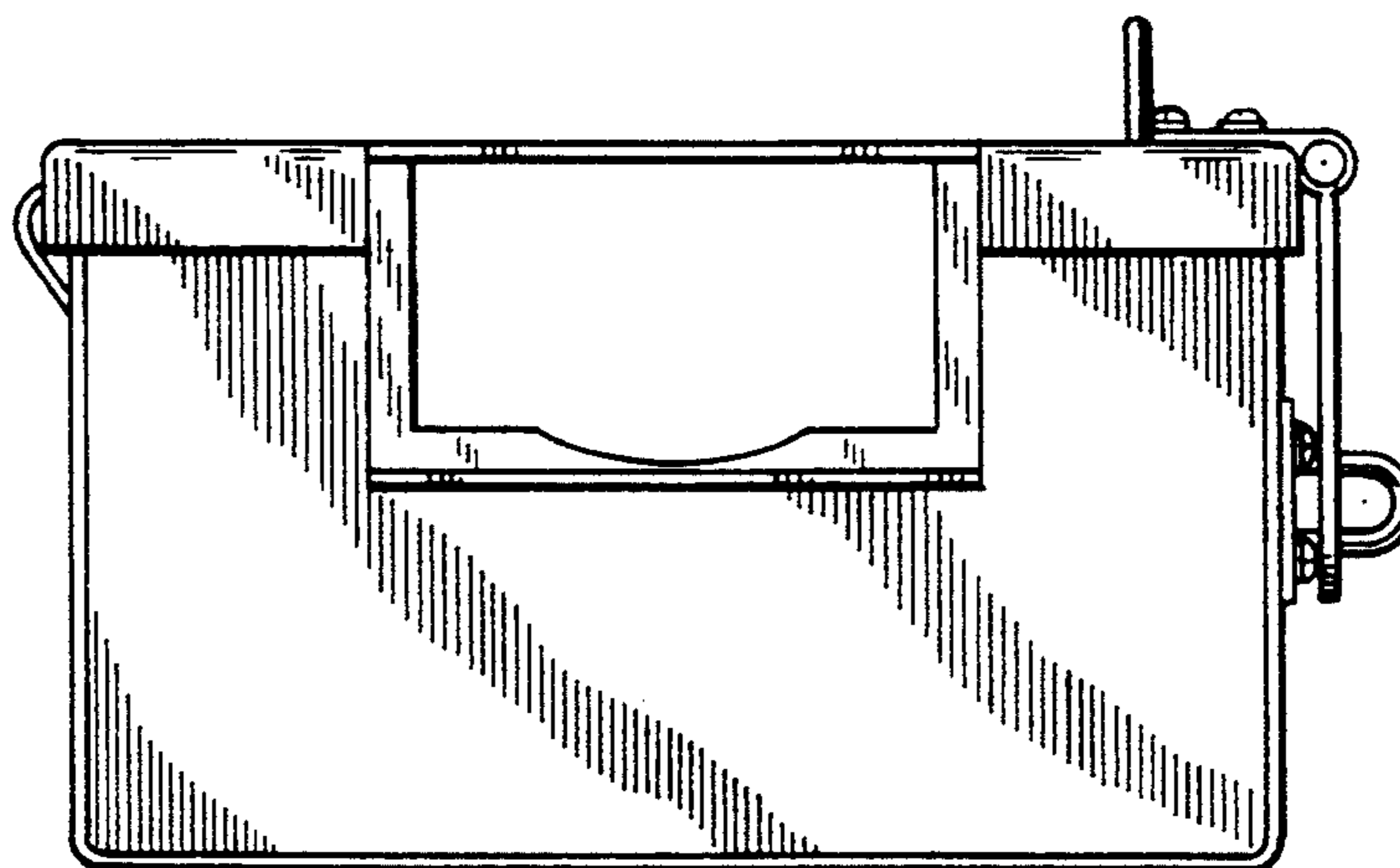
*Fig. 4.*



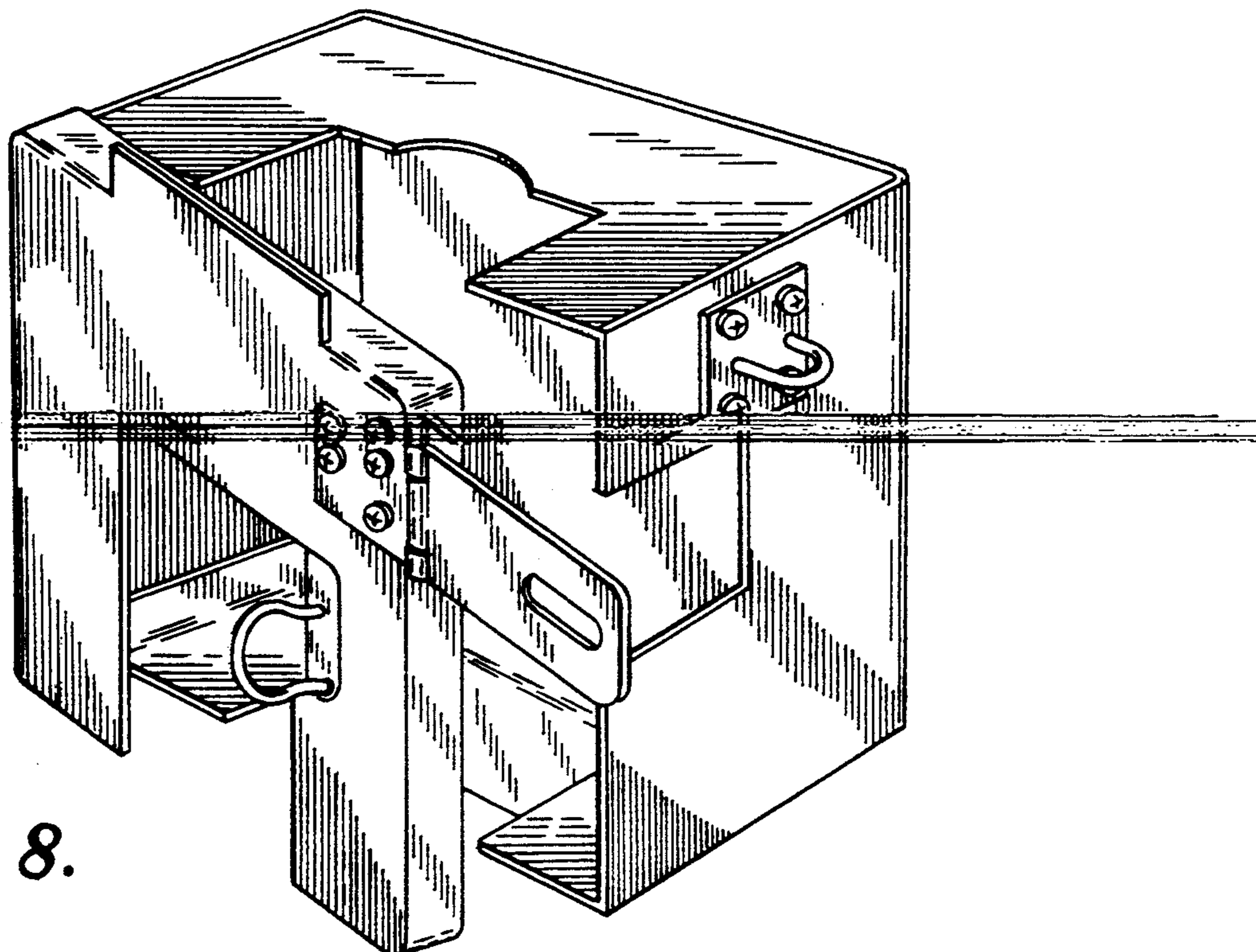
*Fig. 5.*



*Fig. 6.*



*Fig. 7.*



*Fig. 8.*