



US00D350008S

United States Patent [19]

[11] Patent Number: Des. 350,008

Gaudet, Sr.

[45] Date of Patent: ** Aug. 23, 1994

[54] MAILBOX GUARD

D. 251,254 3/1979 Tiedemann D19/92

[75] Inventor: Allen E. Gaudet, Sr., Bloomfield, Conn.

Primary Examiner—Alan P. Douglas
Assistant Examiner—J. H. Musgrove
Attorney, Agent, or Firm—Steven H. Flynn

[73] Assignee: American Prefab Corporation, Bloomfield, Conn.

[57] CLAIM

[**] Term: 14 Years

The ornamental design for a mailbox guard, as shown and described.

[21] Appl. No.: 721,670

DESCRIPTION

[22] Filed: Jun. 26, 1991

FIG. 1 is a perspective view of a mailbox guard showing my new design;

[52] U.S. Cl. D99/99

FIG. 2 is a perspective view of the mailbox guard; the broken line showing of the mailbox and post are for environmental purposes only and form no part of the claim design;

[58] Field of Search 232/17, 34; D99/99, D99/29, 31; D19/90, 91, 92

FIG. 3 is a top plan view;

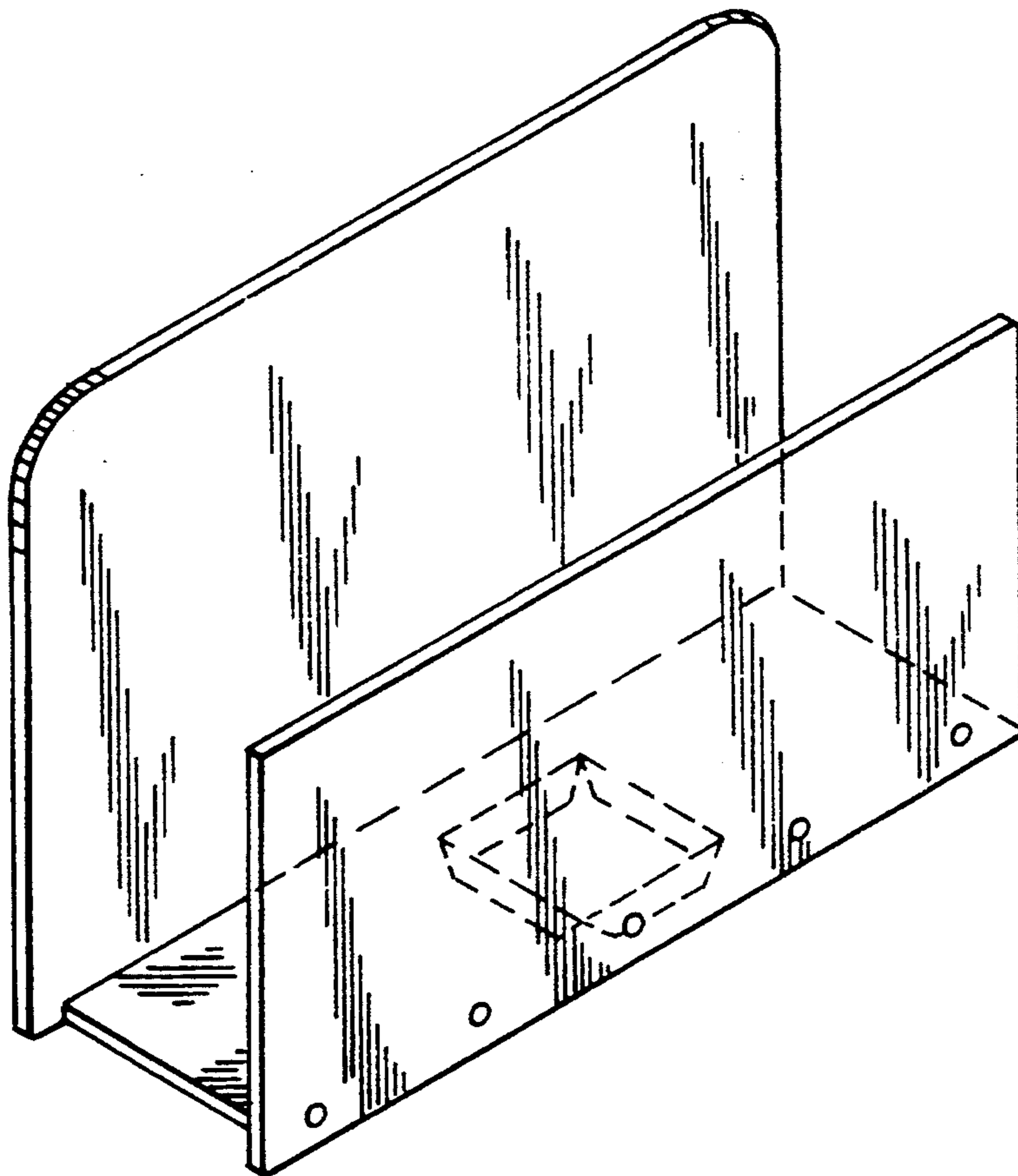
[56] References Cited

U.S. PATENT DOCUMENTS

FIG. 4 is a side elevational view; and,

D. 182,443 4/1958 Sherman D19/90

FIG. 5 is a front view thereof.



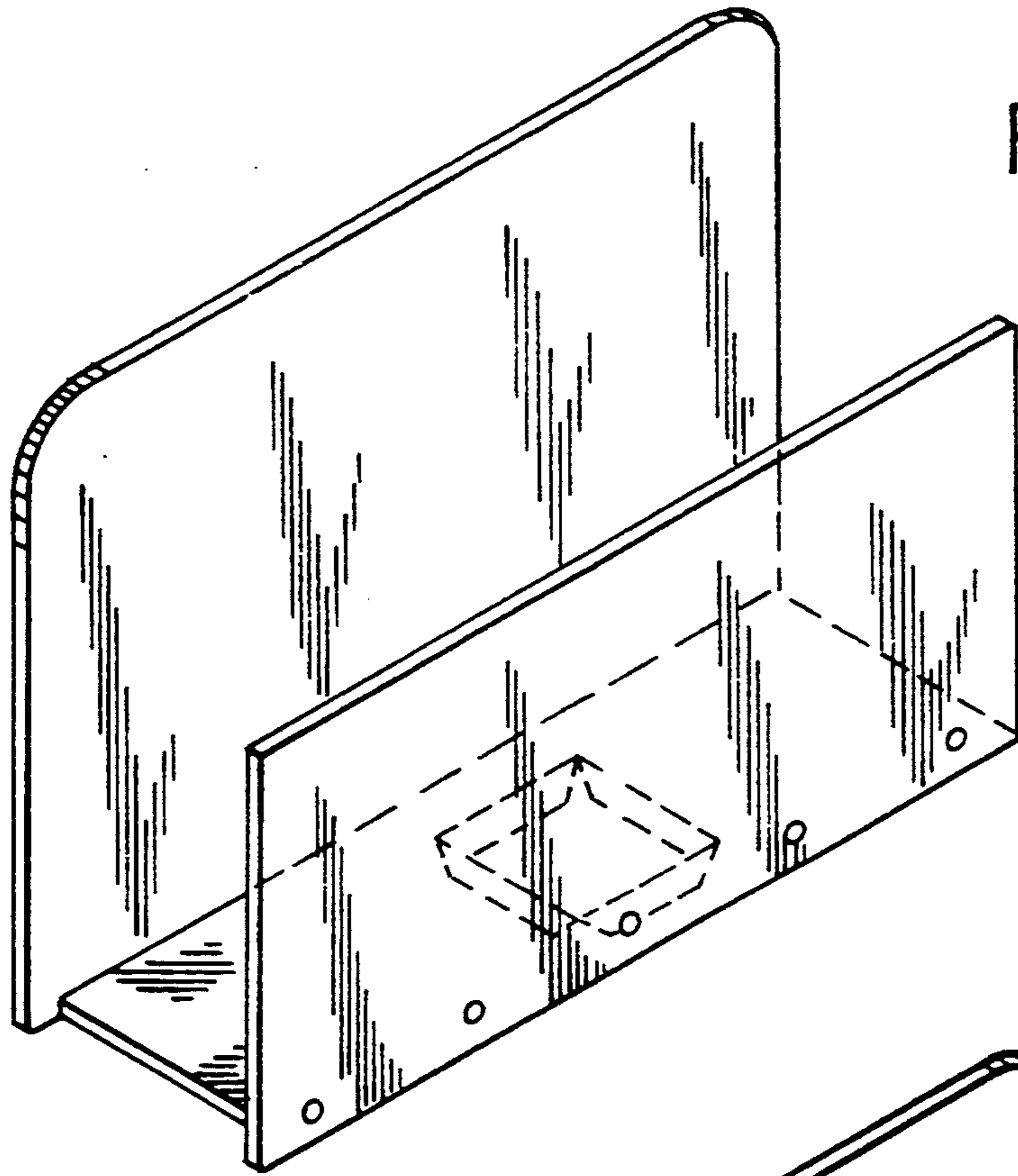


FIG. 1

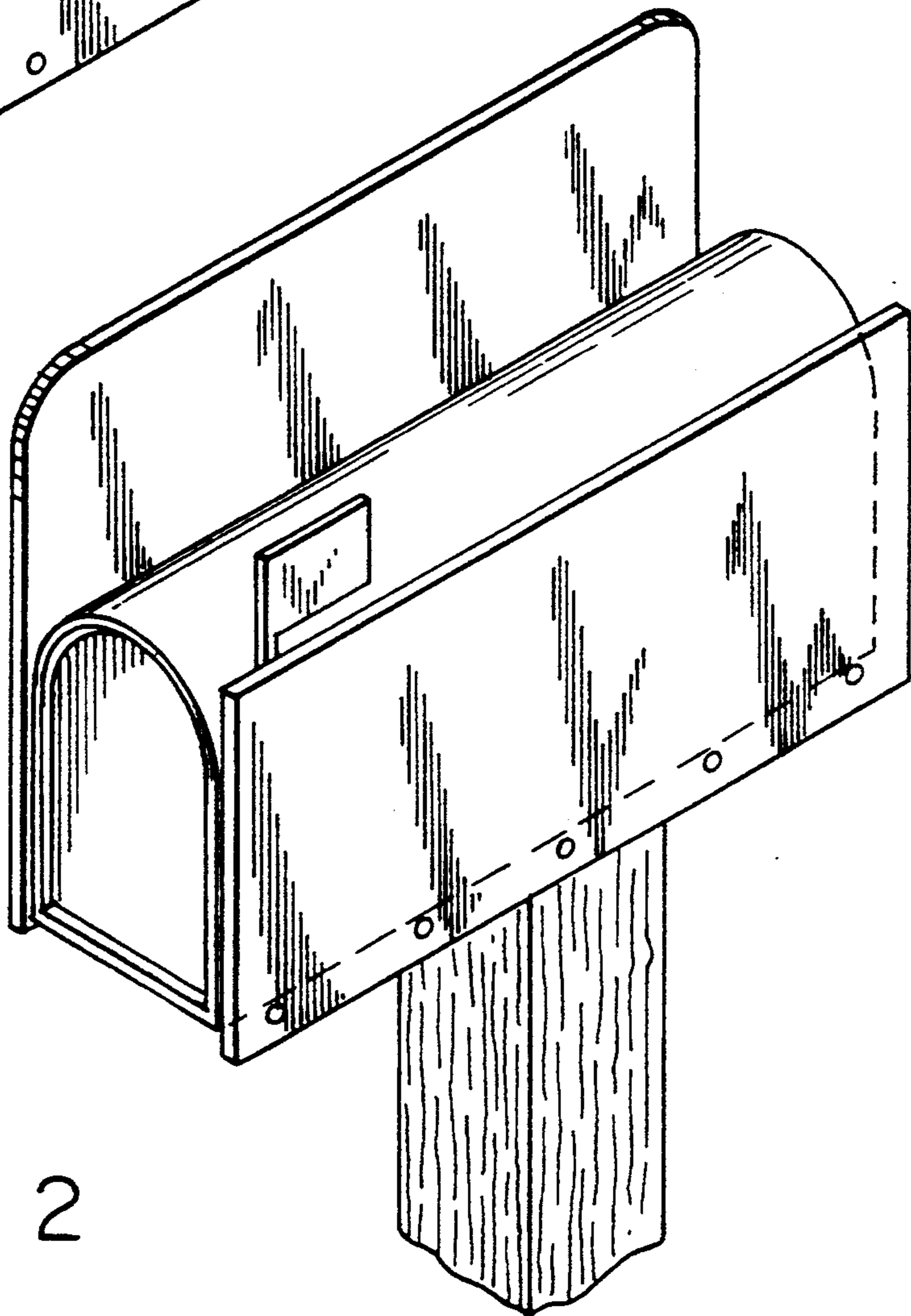


FIG. 2

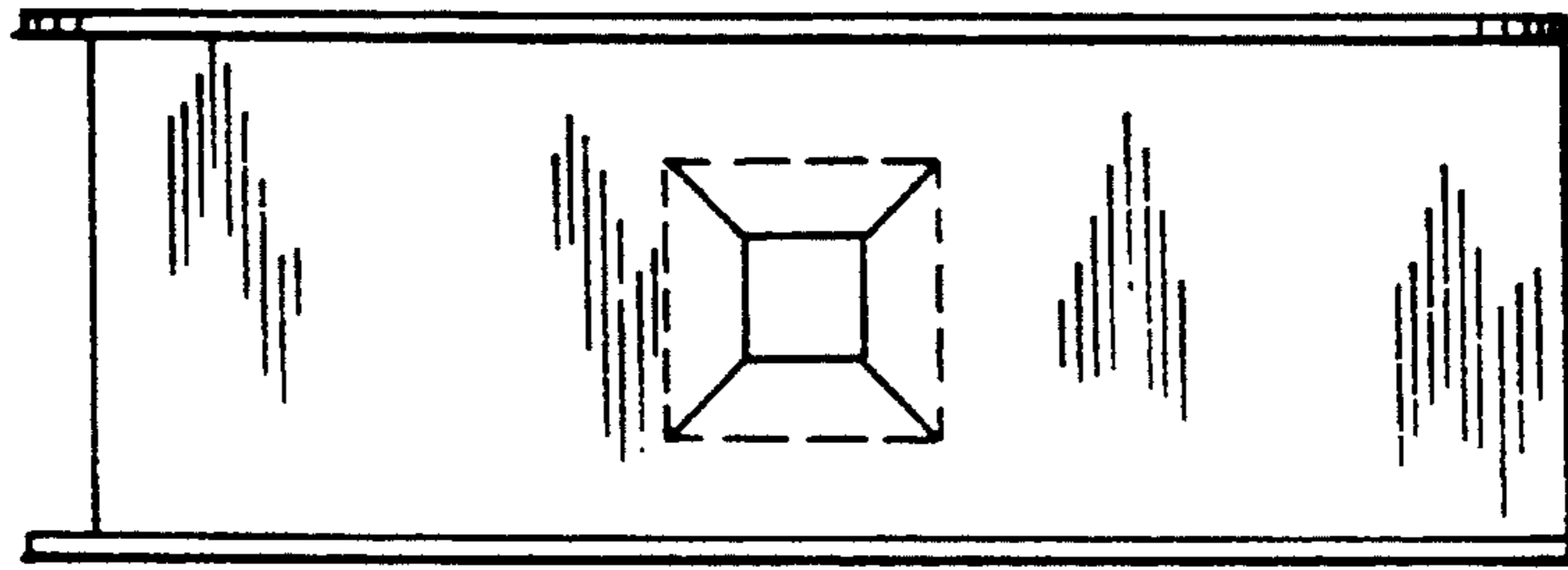


FIG. 3

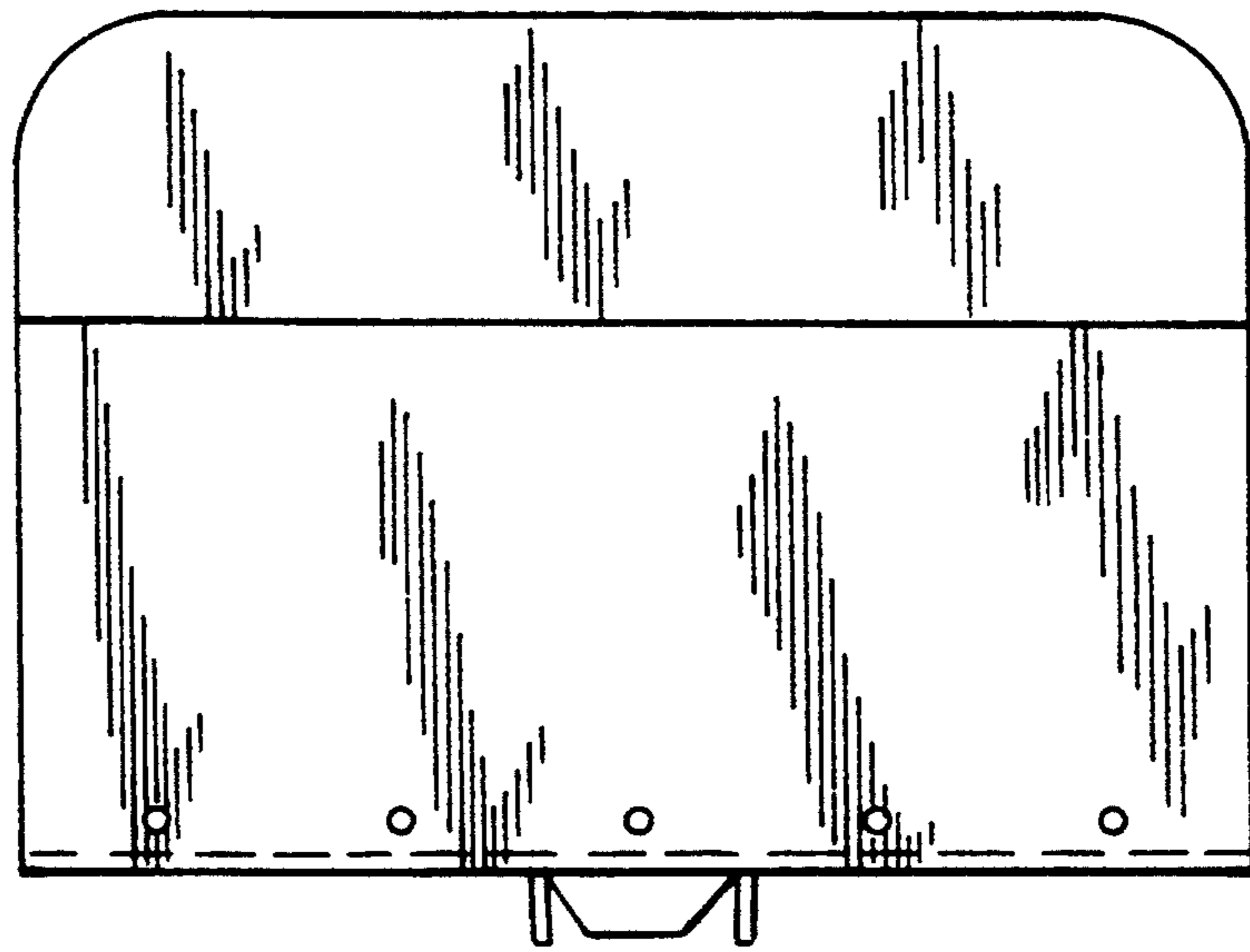


FIG. 4

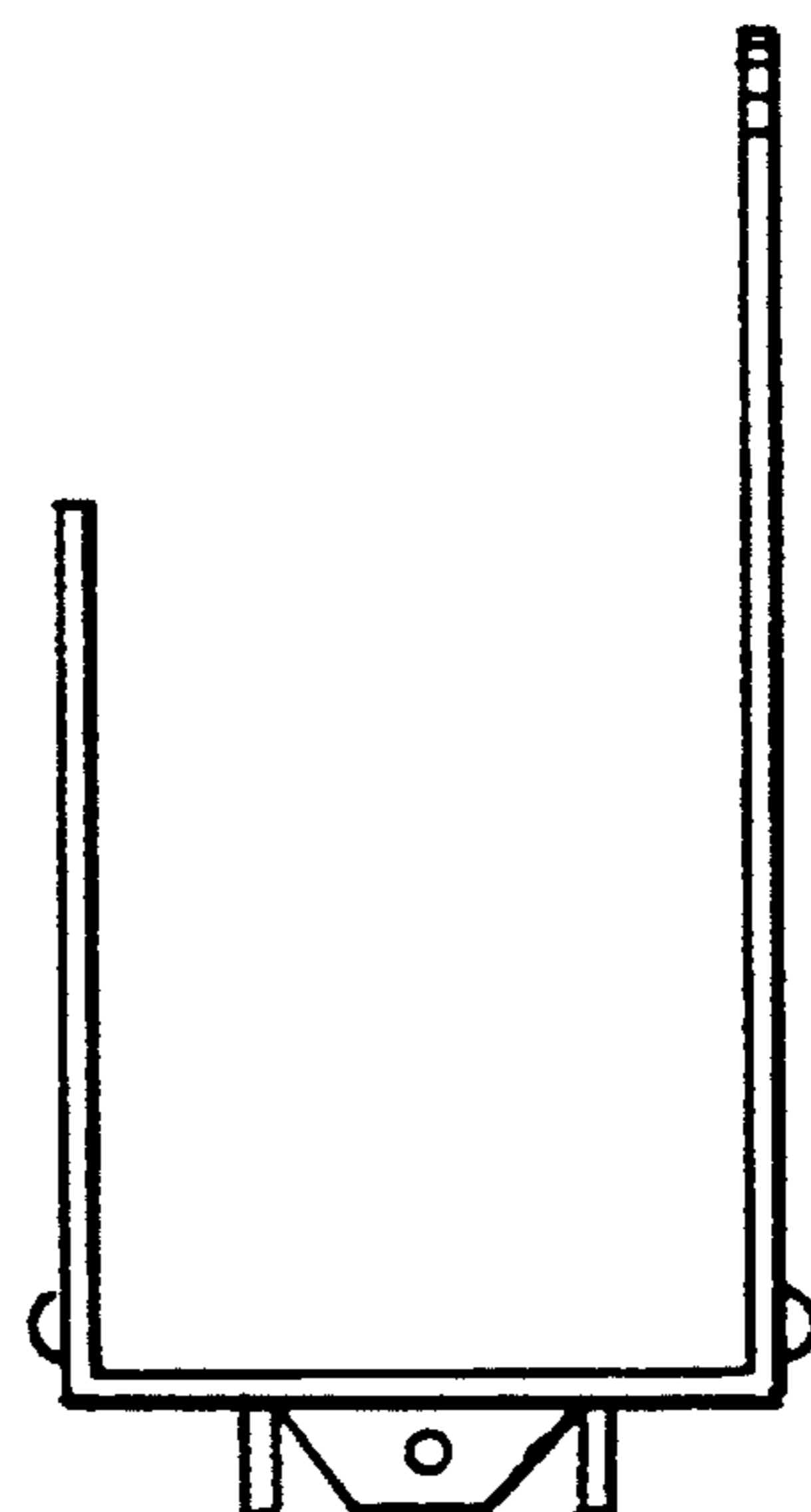


FIG. 5