



US00D350004S

United States Patent [19]
Nicholas

[11] **Patent Number: Des. 350,004**

[45] **Date of Patent: ** Aug. 23, 1994**

[54] **SECURITY MAIL VAULT**
[76] **Inventor: Terry L. Nicholas, 10603 Mills Walk, Houston, Tex. 77070**
[**] **Term: 14 Years**
[21] **Appl. No.: 11,373**
[22] **Filed: Aug. 2, 1993**
[52] **U.S. Cl. D99/29**
[58] **Field of Search 232/14, 17, 24, 43.1, 232/45, 39; D99/29, 30, 31, 32**

5,056,711 10/1991 Bush 232/17

Primary Examiner—Alan P. Douglas
Assistant Examiner—Jeffrey H. Musgrove
Attorney, Agent, or Firm—Matthews and Associates

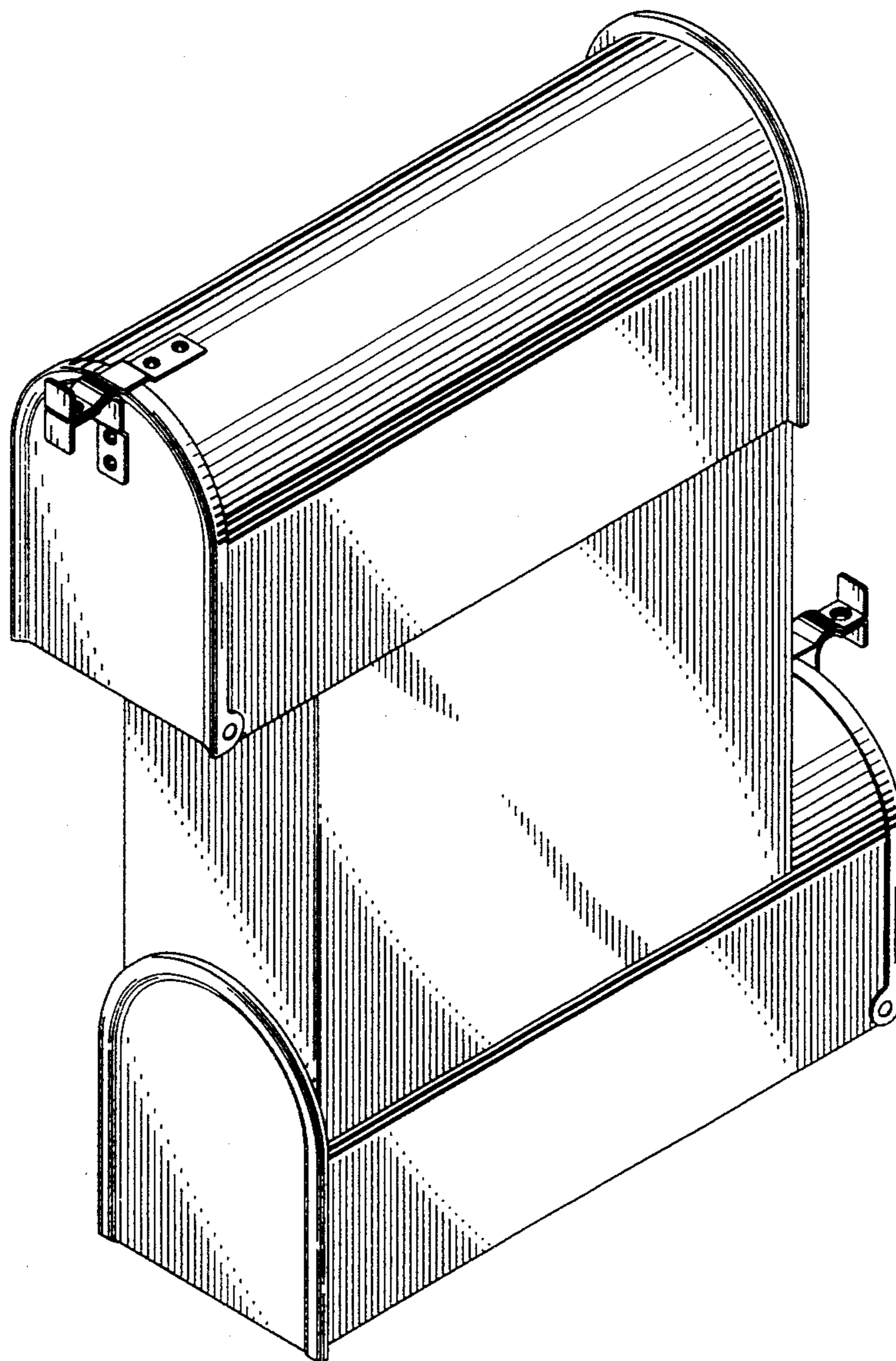
[57] **CLAIM**

The design for the security mail vault, as shown and described.

DESCRIPTION

FIG. 1 shows a perspective view of the present invention;
FIG. 2 is a top view of the present invention;
FIG. 3 is a side view of the present invention;
FIG. 4 is a bottom view of the present invention;
FIG. 5 is a front view of the present invention; and,
FIG. 6 is a rear view of the present invention.

[56] **References Cited**
U.S. PATENT DOCUMENTS
3,880,344 4/1975 Earle D99/32 X
4,148,432 4/1979 Cornwell, Jr. 232/24
4,416,414 11/1983 Edgerton 232/39



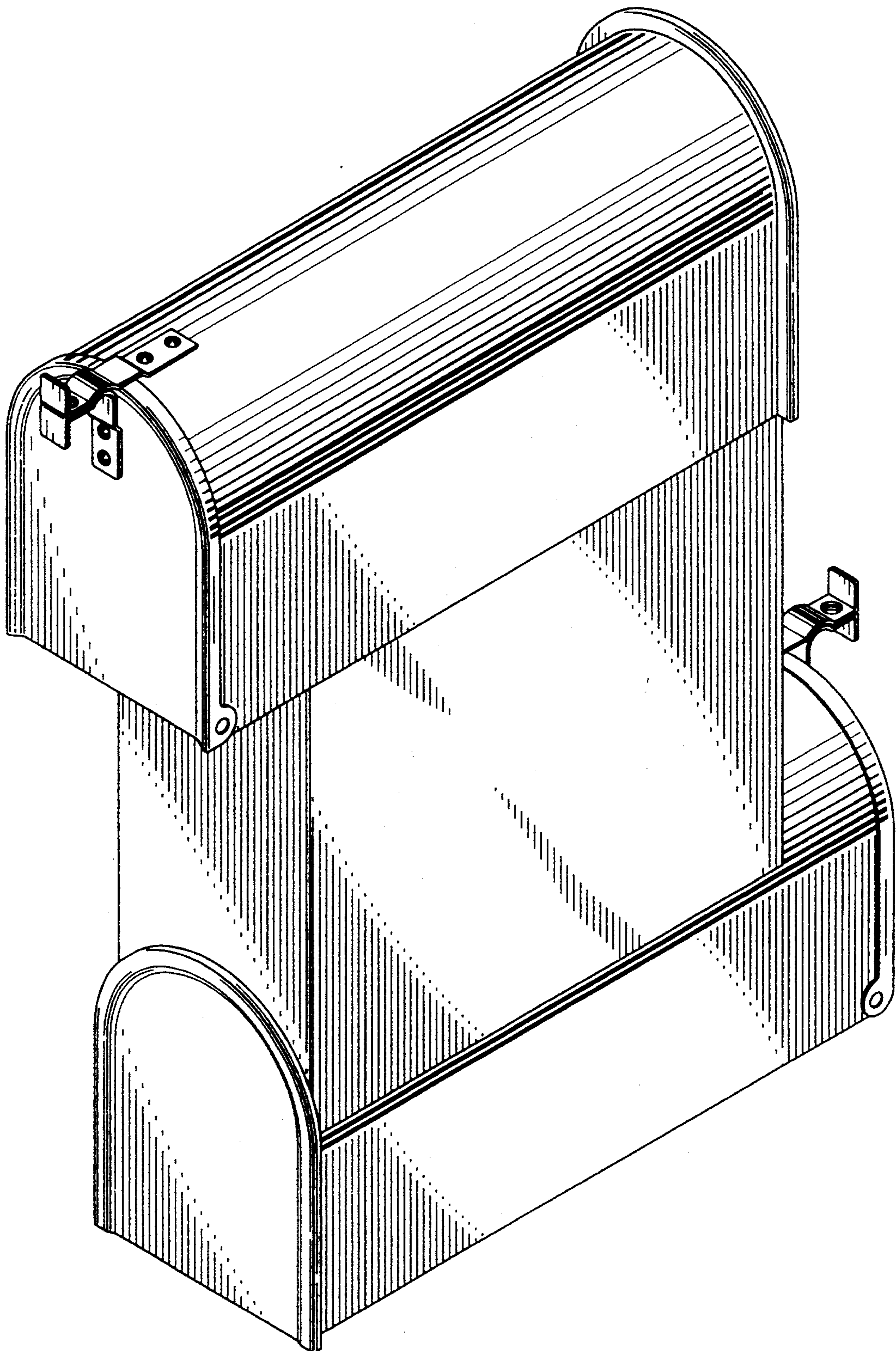


FIG. 1

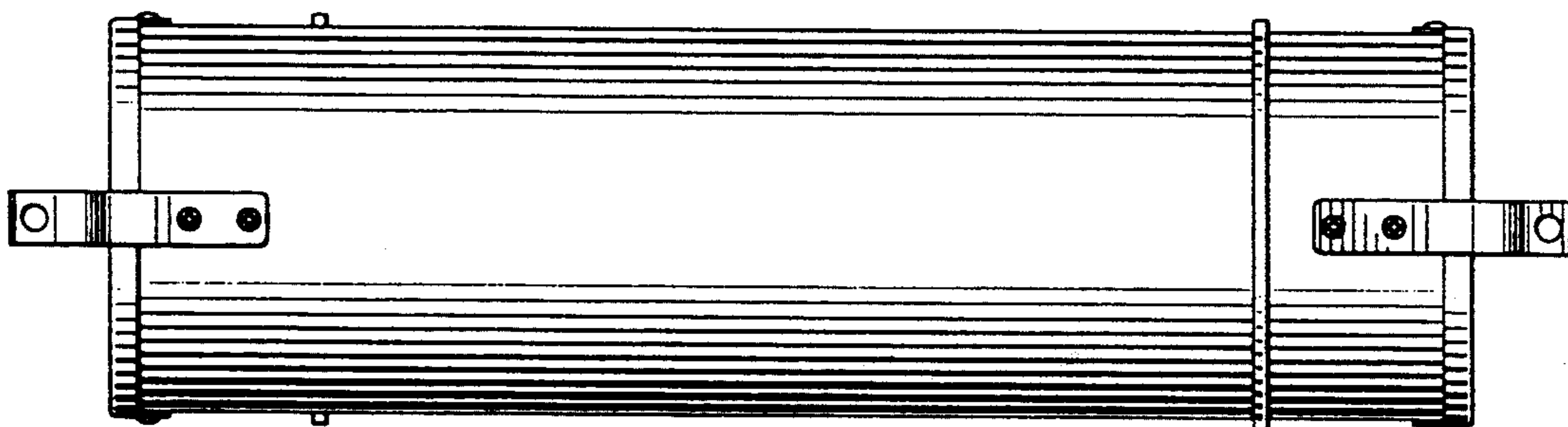


FIG. 2

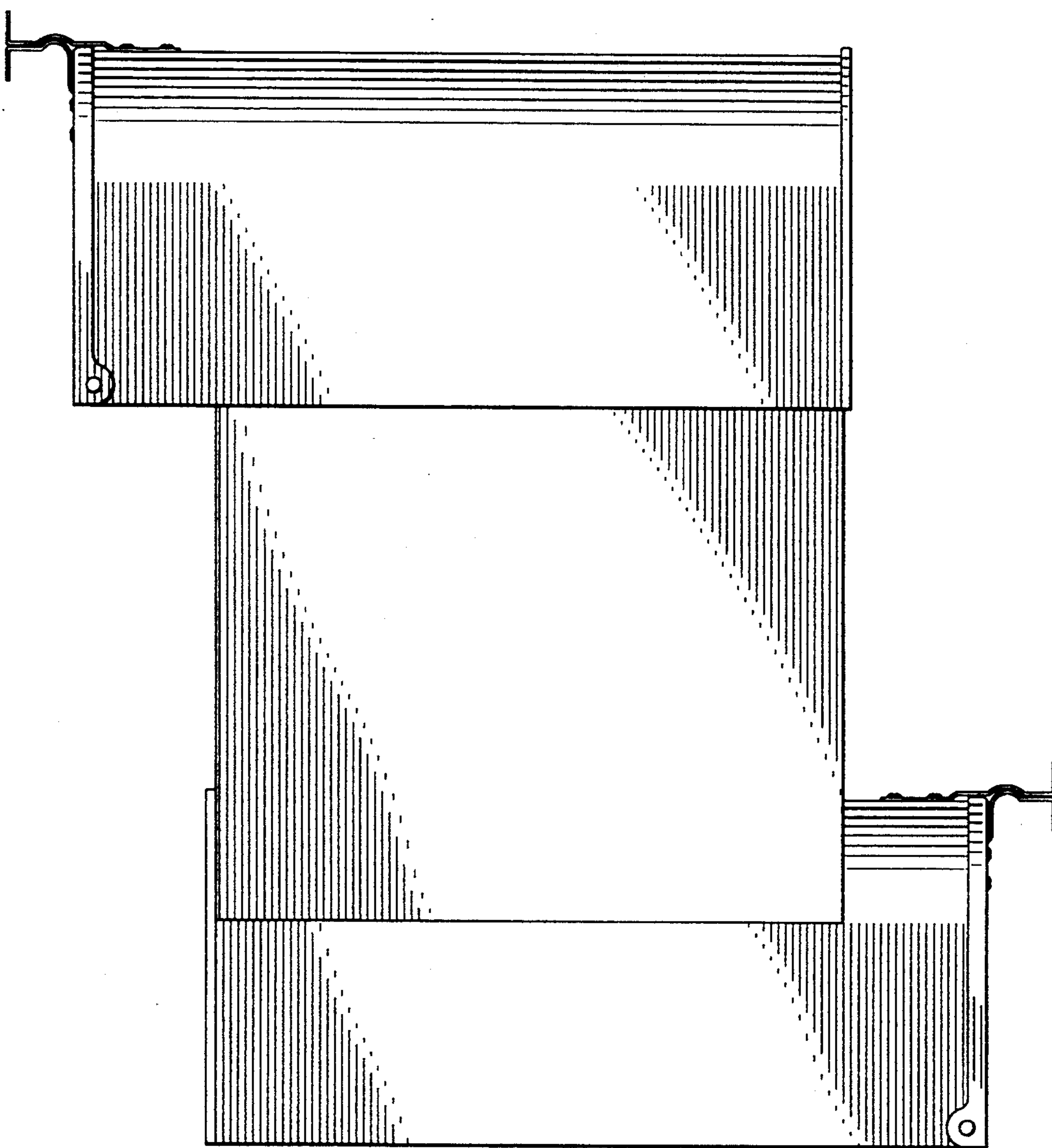


FIG. 3

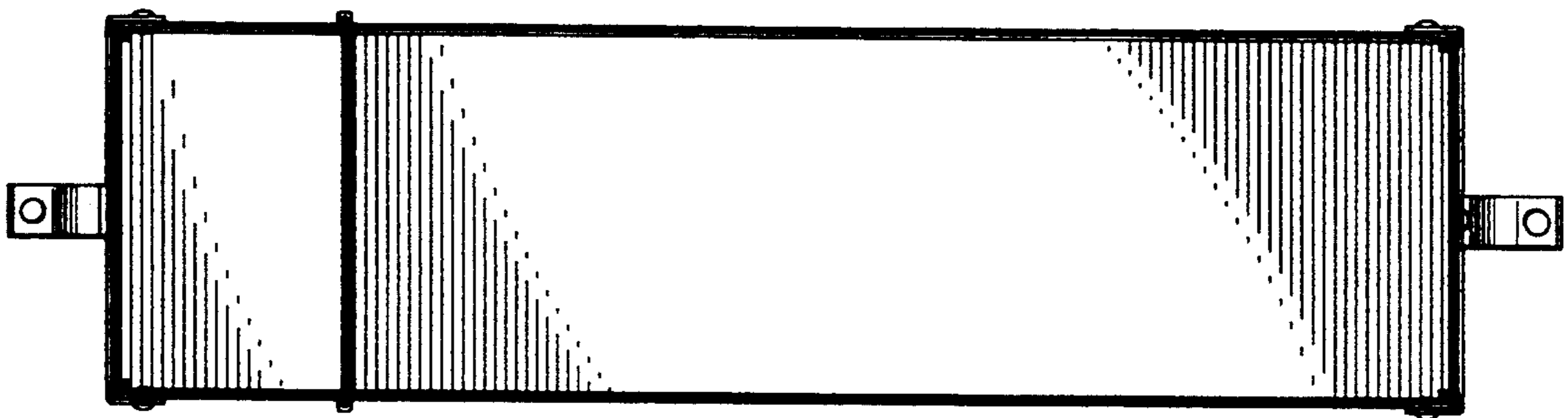


FIG. 4

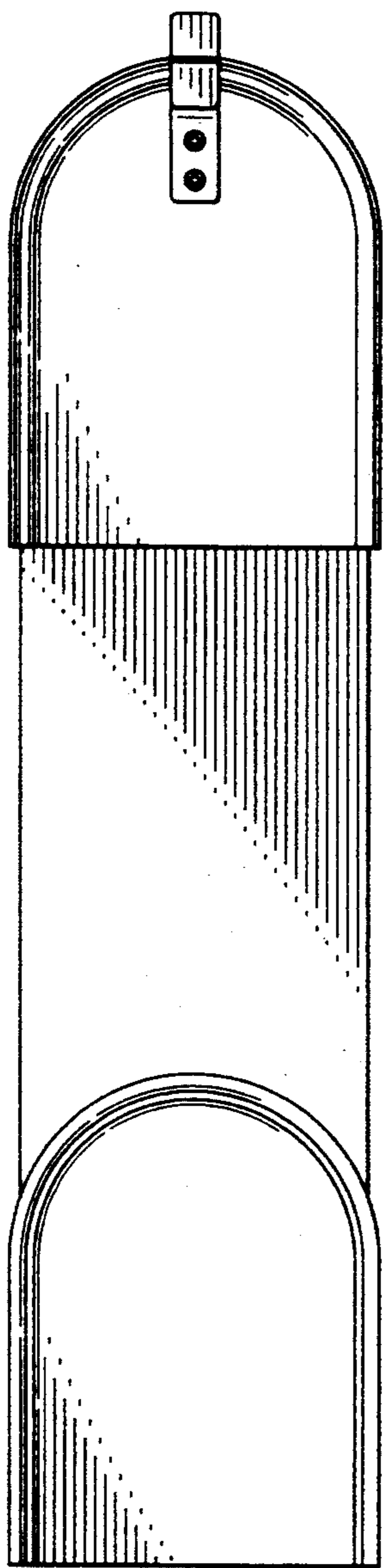


FIG. 5

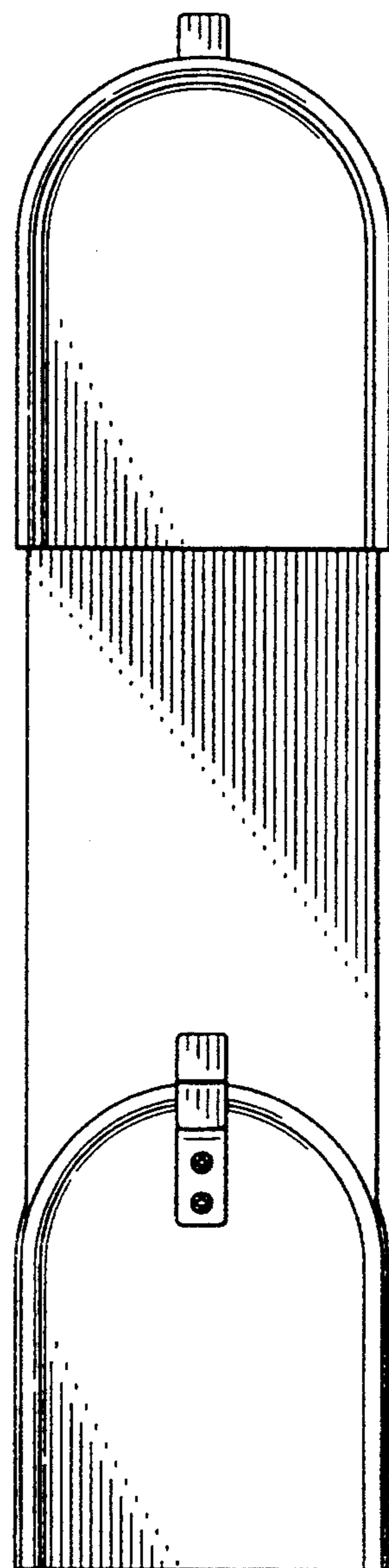


FIG. 6