



US00D350003S

United States Patent [19]

[11] Patent Number: **Des. 350,003**

Rentz

[45] Date of Patent: **** Aug. 23, 1994**

[54] MAIL BOX AND SUPPORT

[76] Inventor: **Ceilon H. Rentz**, 3704 Ponce de Leon Ave., Jacksonville, Fla. 32217

[*] Notice: The portion of the term of this patent subsequent to Feb. 23, 2007 has been disclaimed.

[**] Term: **14 Years**

[21] Appl. No.: **836,460**

[22] Filed: **Feb. 18, 1992**

[52] U.S. Cl. **D99/29**

[58] Field of Search 232/17, 19, 32, 38; D99/29, 30, 31; D30/114-132

[56] References Cited

U.S. PATENT DOCUMENTS

- D. 312,912 12/1990 Klahre D99/29
- D. 333,545 2/1993 Rentz D99/29
- 5,148,974 9/1992 Clapper 232/17

Primary Examiner—Alan P. Douglas

Assistant Examiner—J. H. Musgrove

Attorney, Agent, or Firm—Arthur G. Yeager

[57] CLAIM

The ornamental design for mail box and support, as shown and described.

DESCRIPTION

FIG. 1 is a right side elevational view of a first embodiment of the mail box and support, with the support broken for convenience of illustration, showing my new

design, the left side being the mirror image thereof, except for the protrusion and flag;

FIG. 2 is a bottom plan view thereof;

FIG. 3 is a front elevational view thereof;

FIG. 4 is a back elevational view thereof;

FIG. 5 is a reduced front perspective view thereof with the doors in open condition;

FIG. 6 is a top plan view thereof;

FIG. 7 is a right side elevational view of a second embodiment of the mail box and support, with the support broken for convenience of illustration, showing my new design;

FIG. 8 is a front elevational view thereof;

FIG. 9 is a back elevational view thereof;

FIG. 10 is a top plan view thereof;

FIG. 11 is a bottom plan view thereof;

FIG. 12 is a right side elevational view of a third embodiment of the mail box and support, with the support broken for convenience of illustration, showing my new design;

FIG. 13 is a top plan view thereof;

FIG. 14 is a bottom plan view thereof;

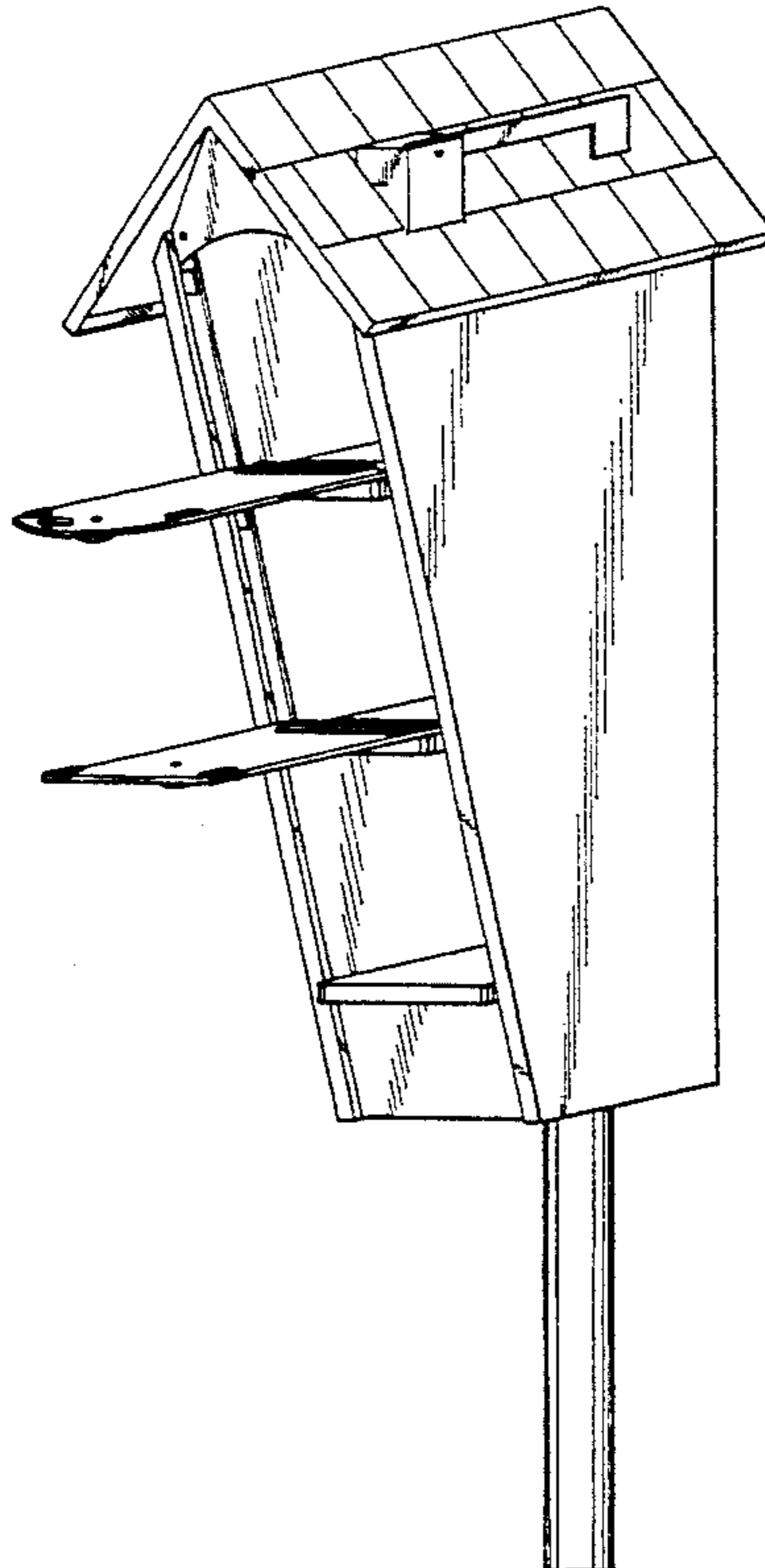
FIG. 15 is a front elevational view thereof;

FIG. 16 is a back elevational view thereof;

FIG. 17 is a right side elevational view of a fourth embodiment of the mail box and support, with the support broken for convenience of illustration, showing my new design;

FIG. 18 is a back elevational view thereof; and,

FIG. 19 is a bottom plan view thereof, the top plan view thereof being identical to FIG. 13 except for the protrusion to the back.



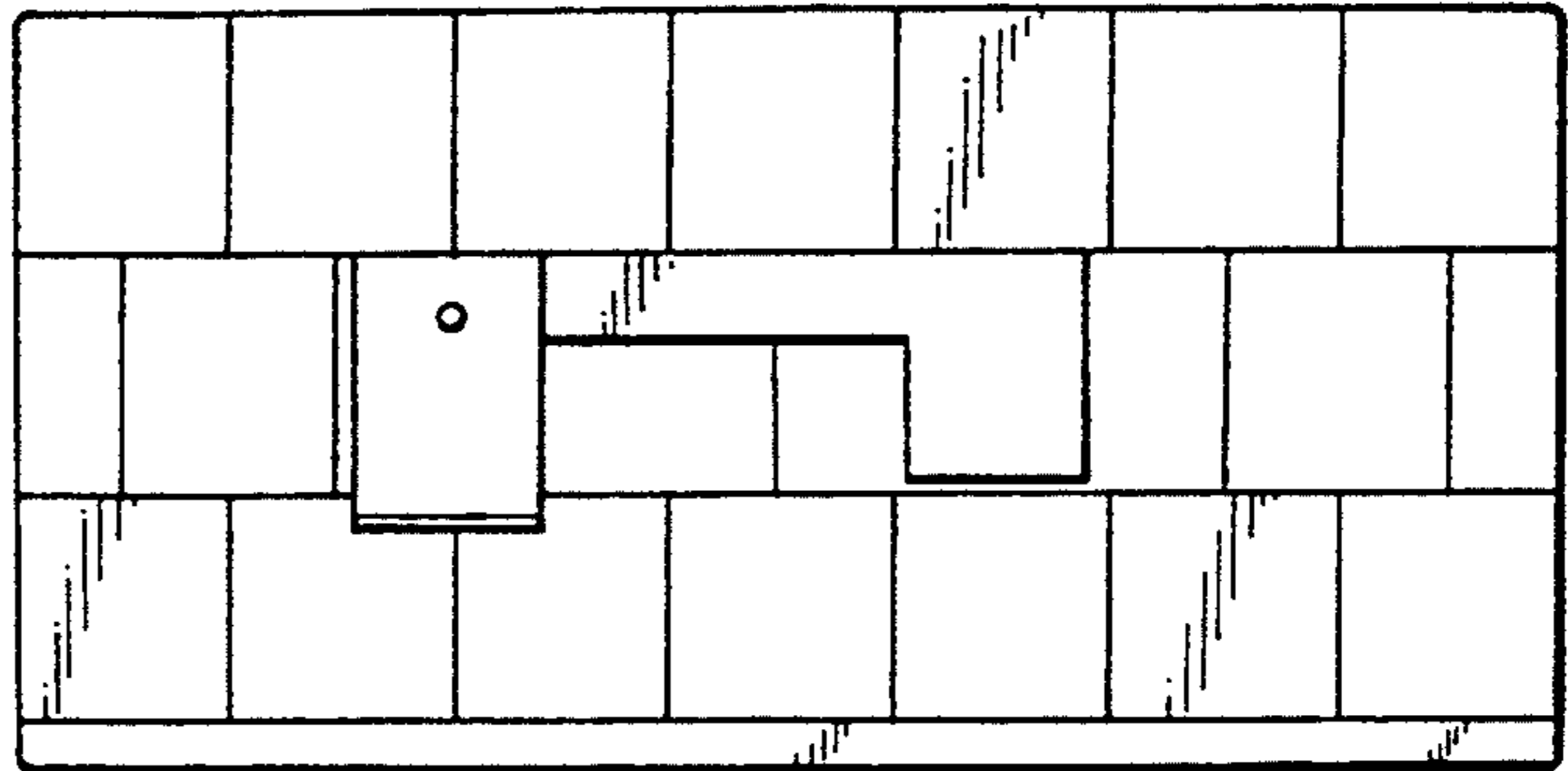


FIG 1

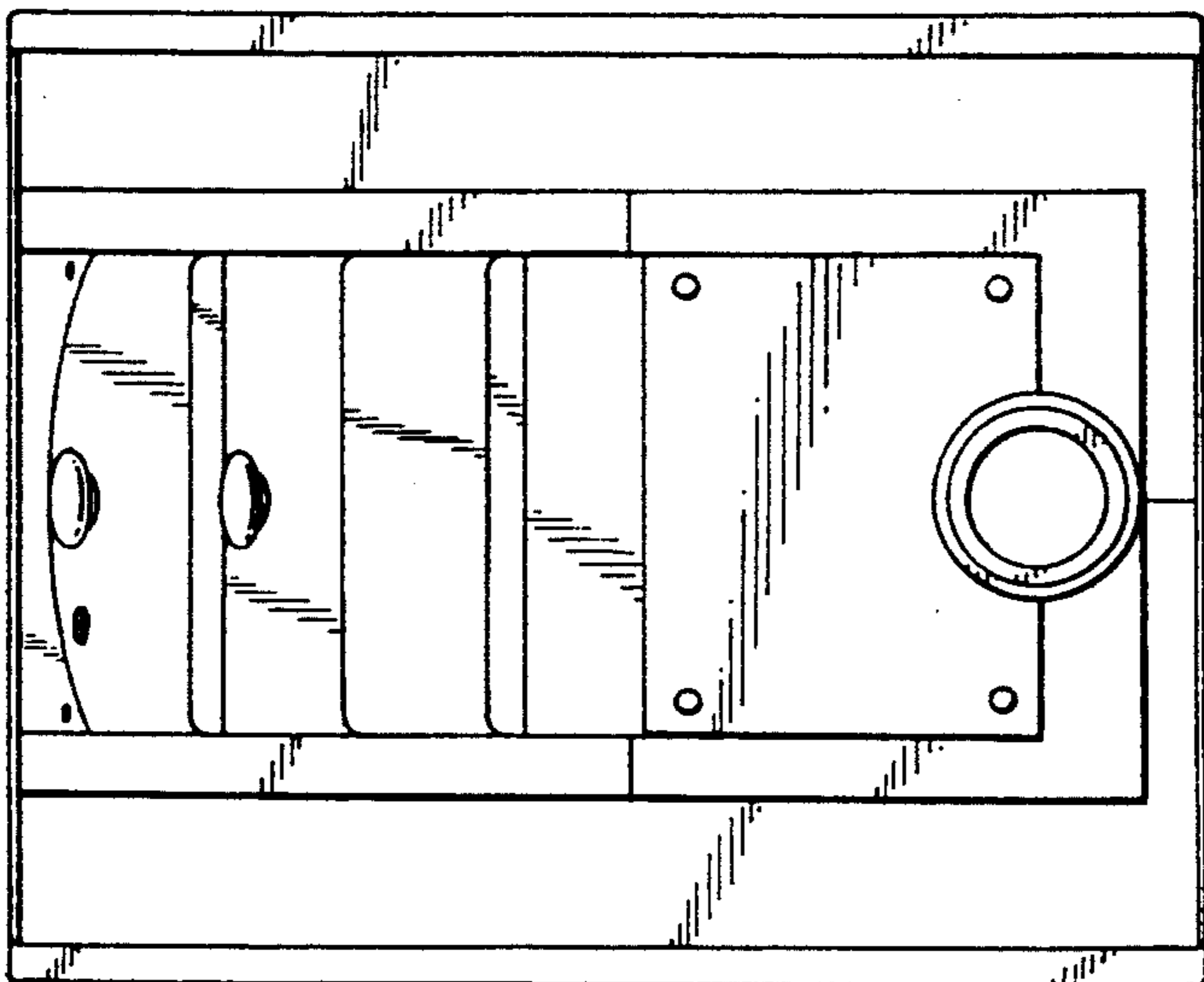
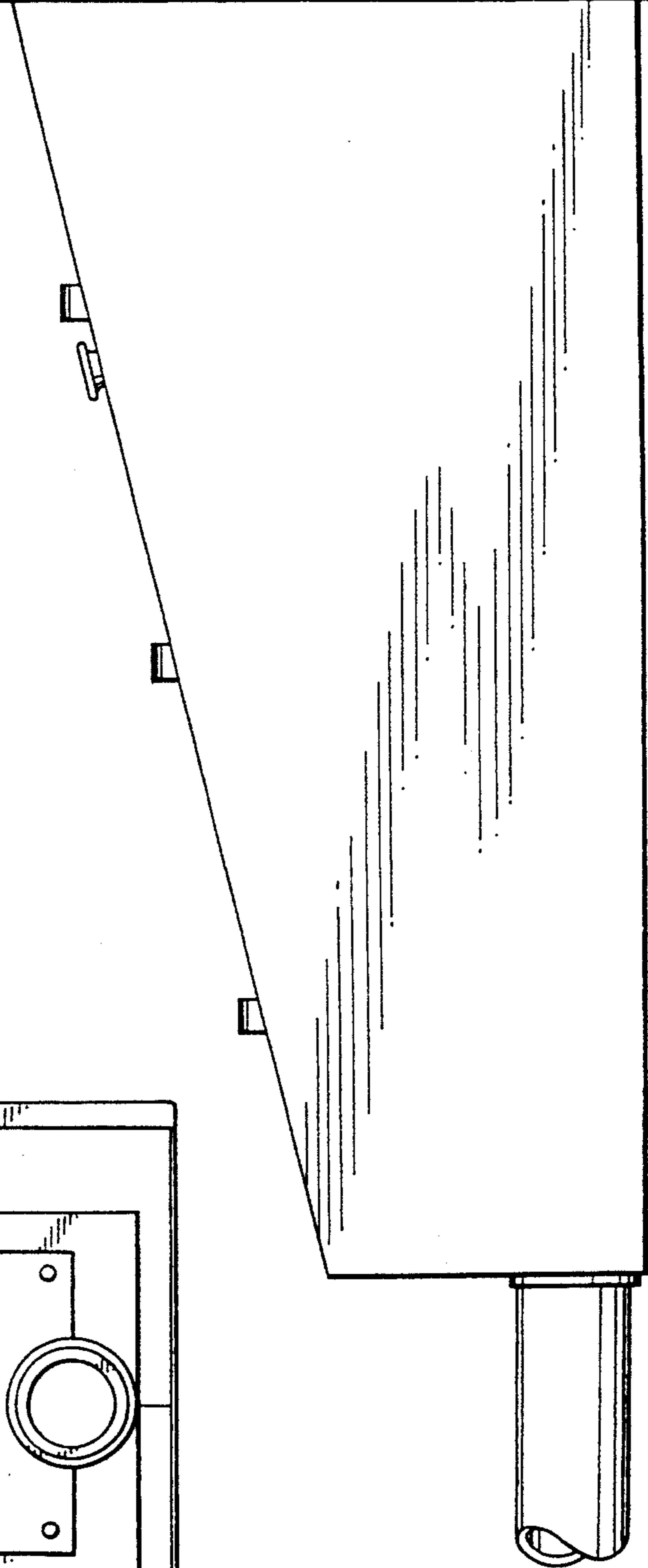


FIG 2



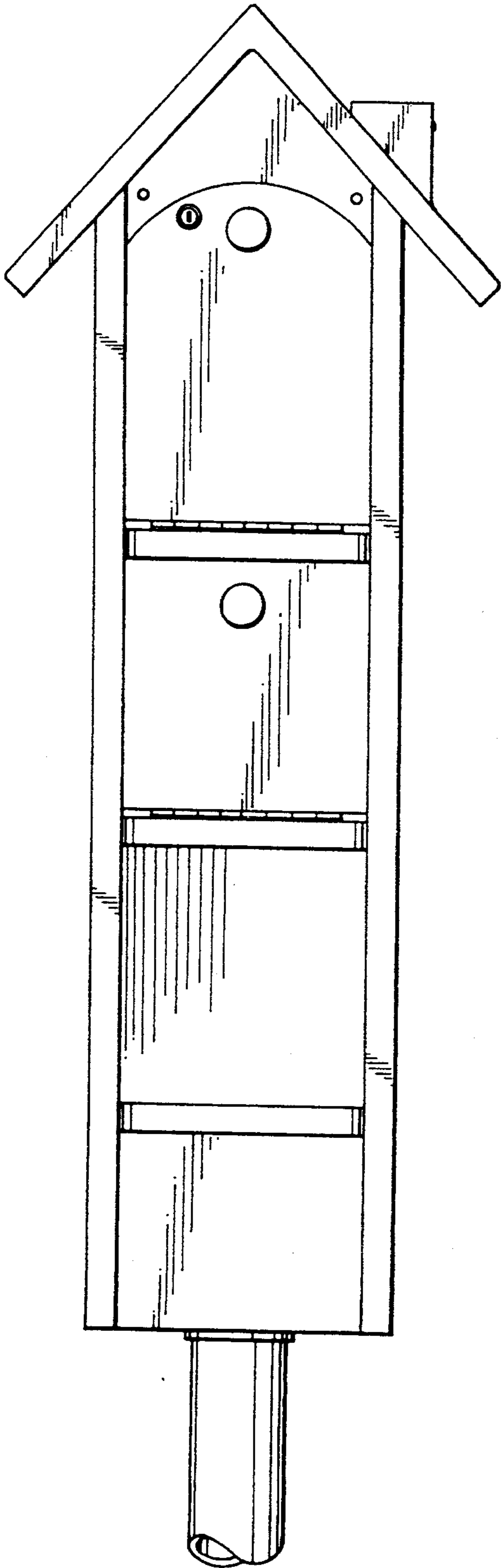


FIG 3

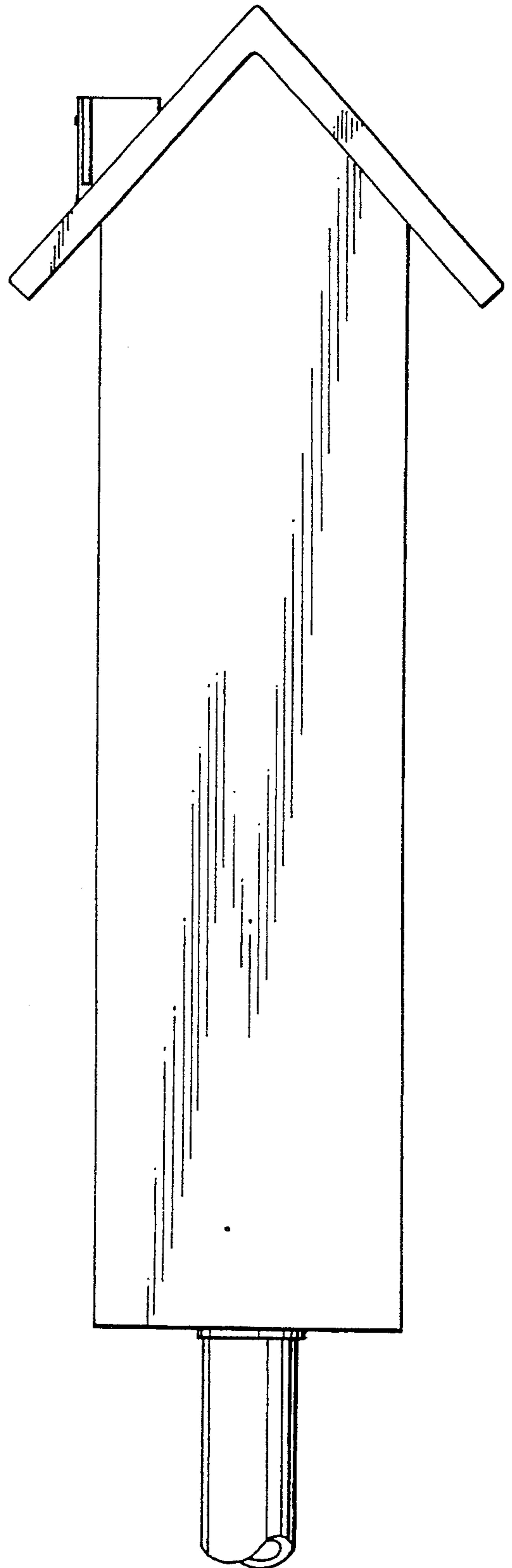


FIG 4

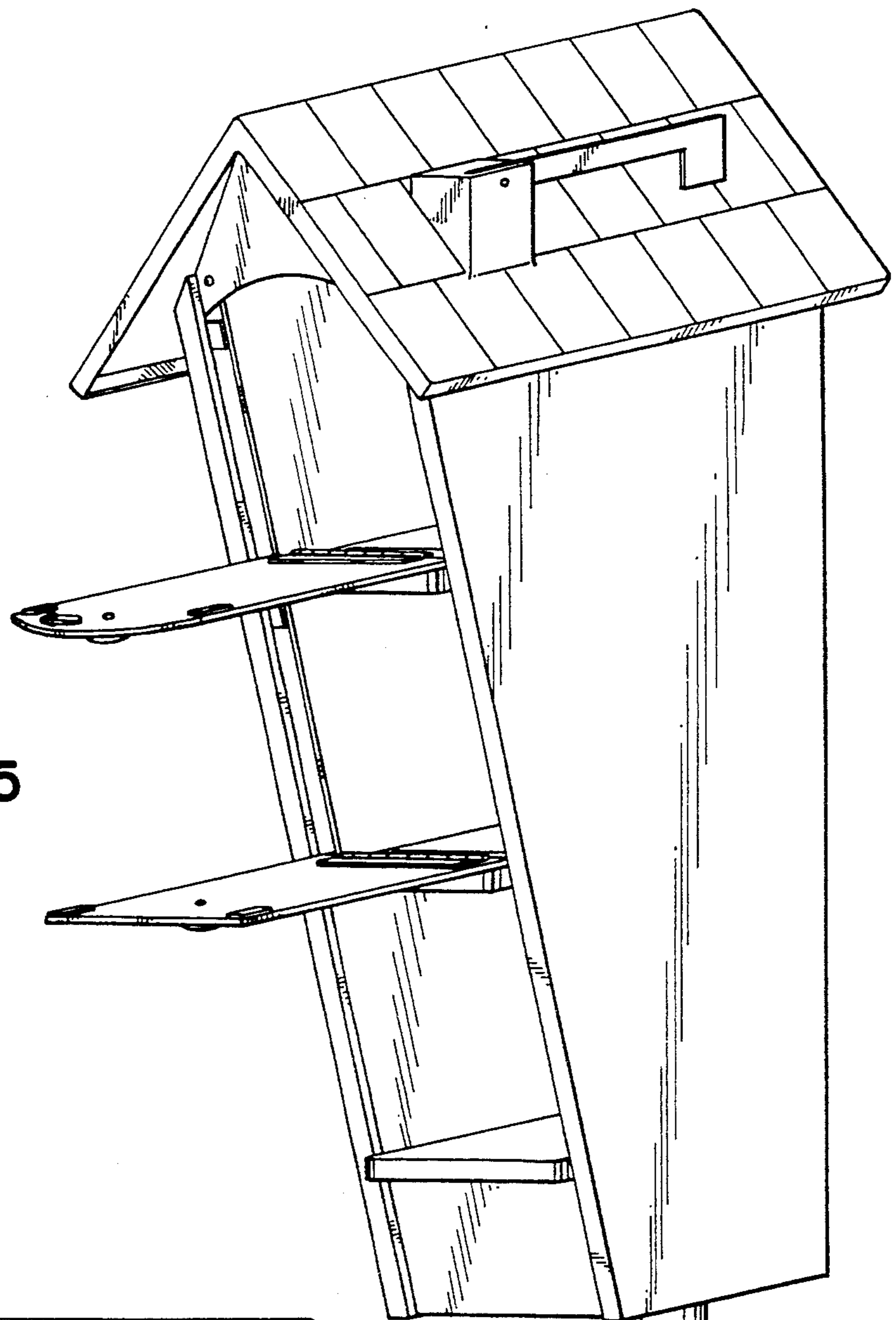


FIG 5

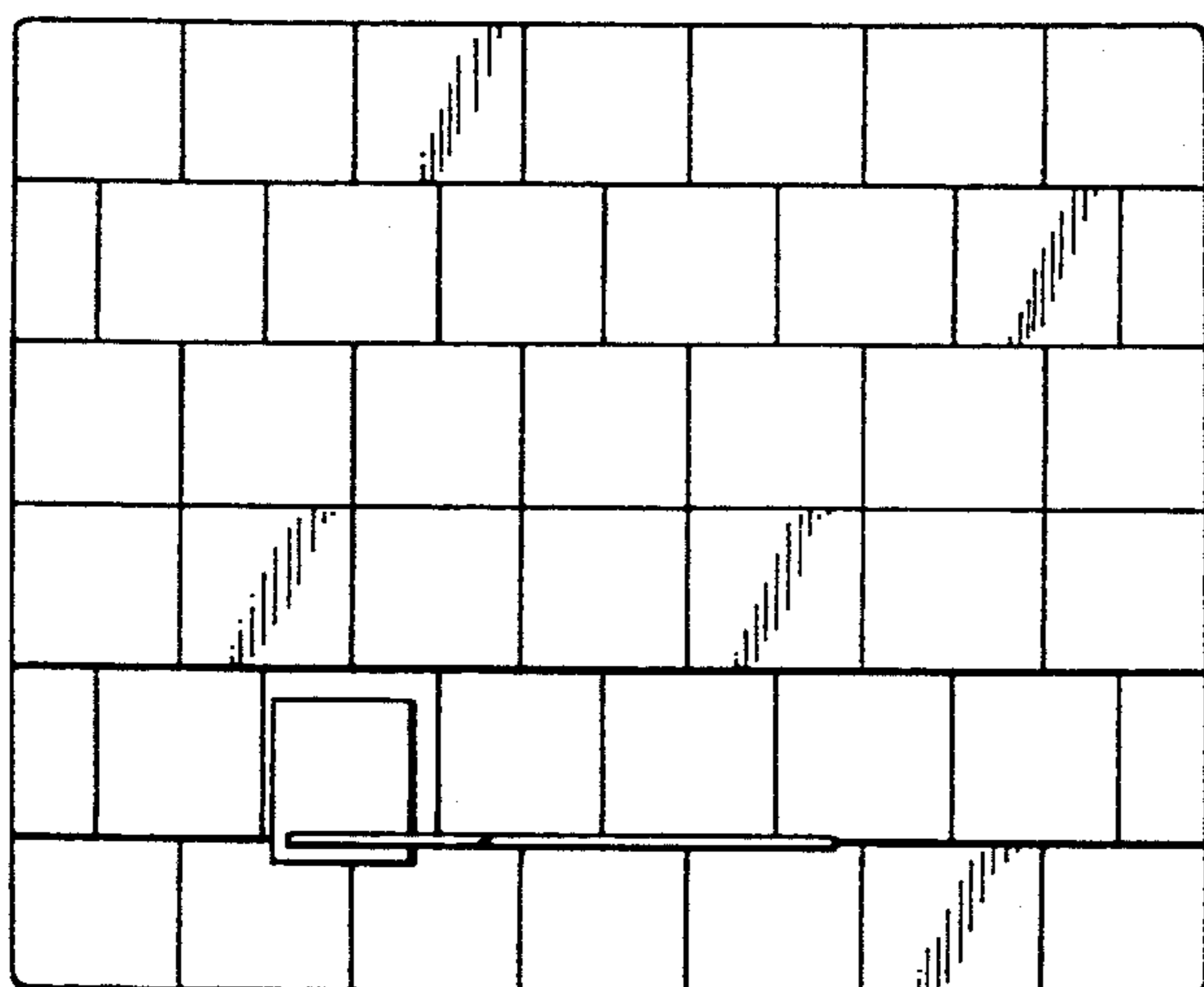
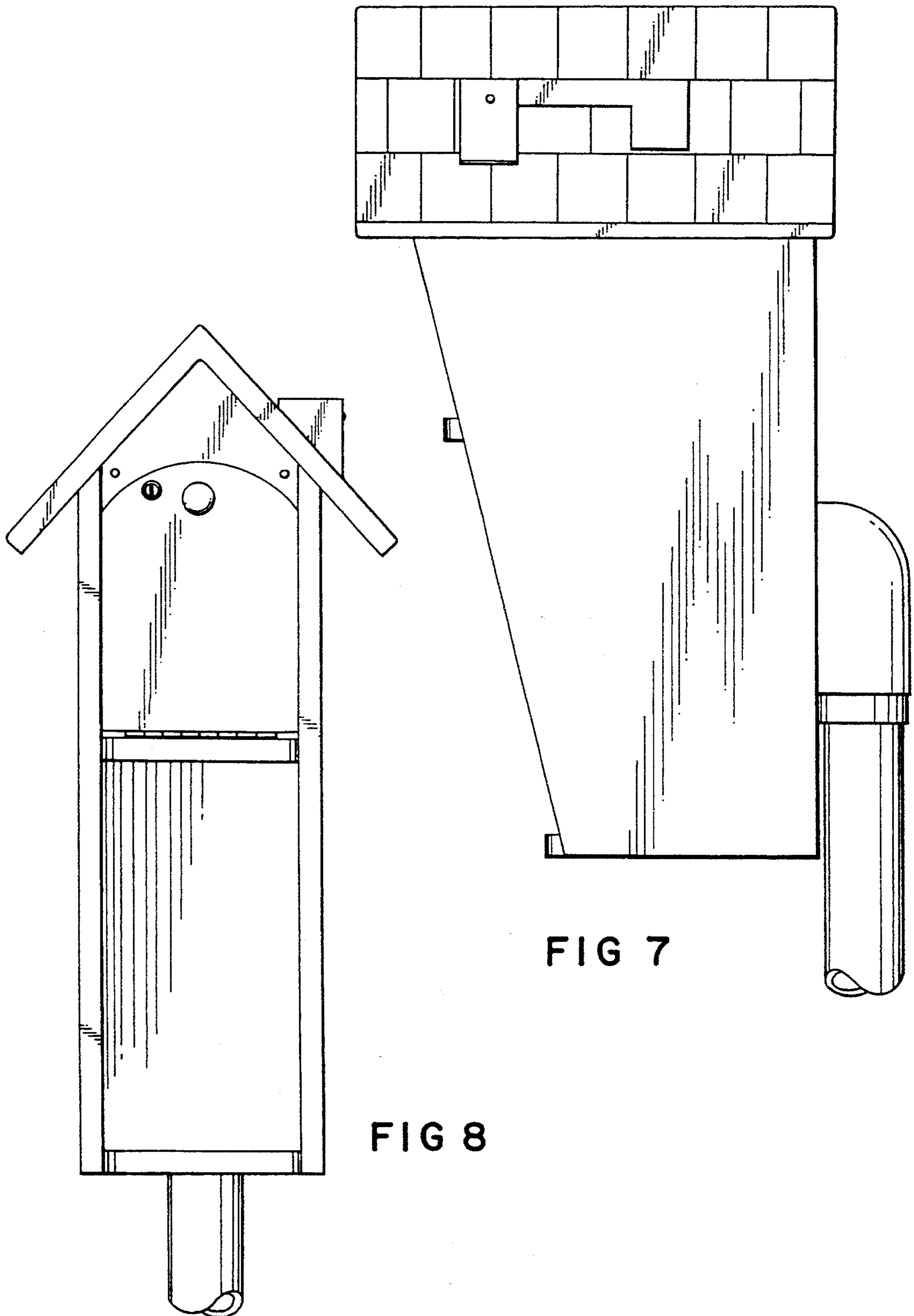


FIG 6



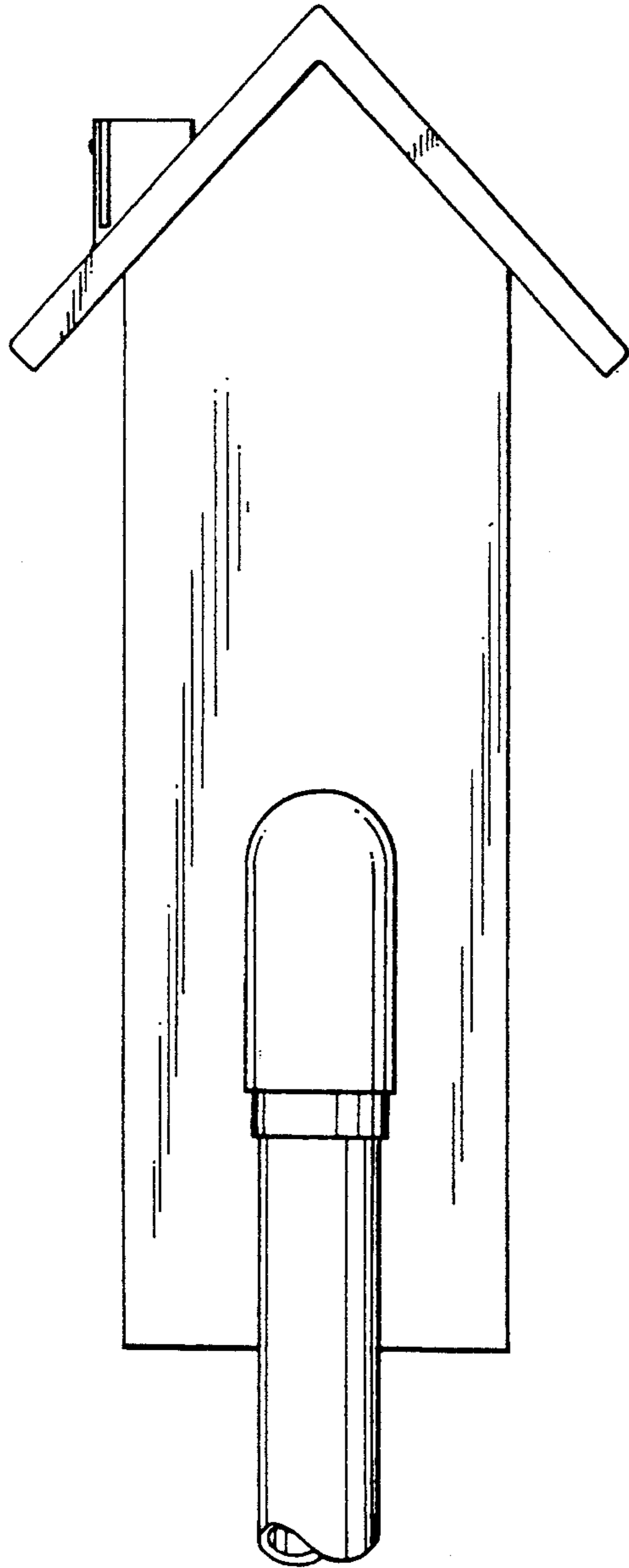


FIG 9

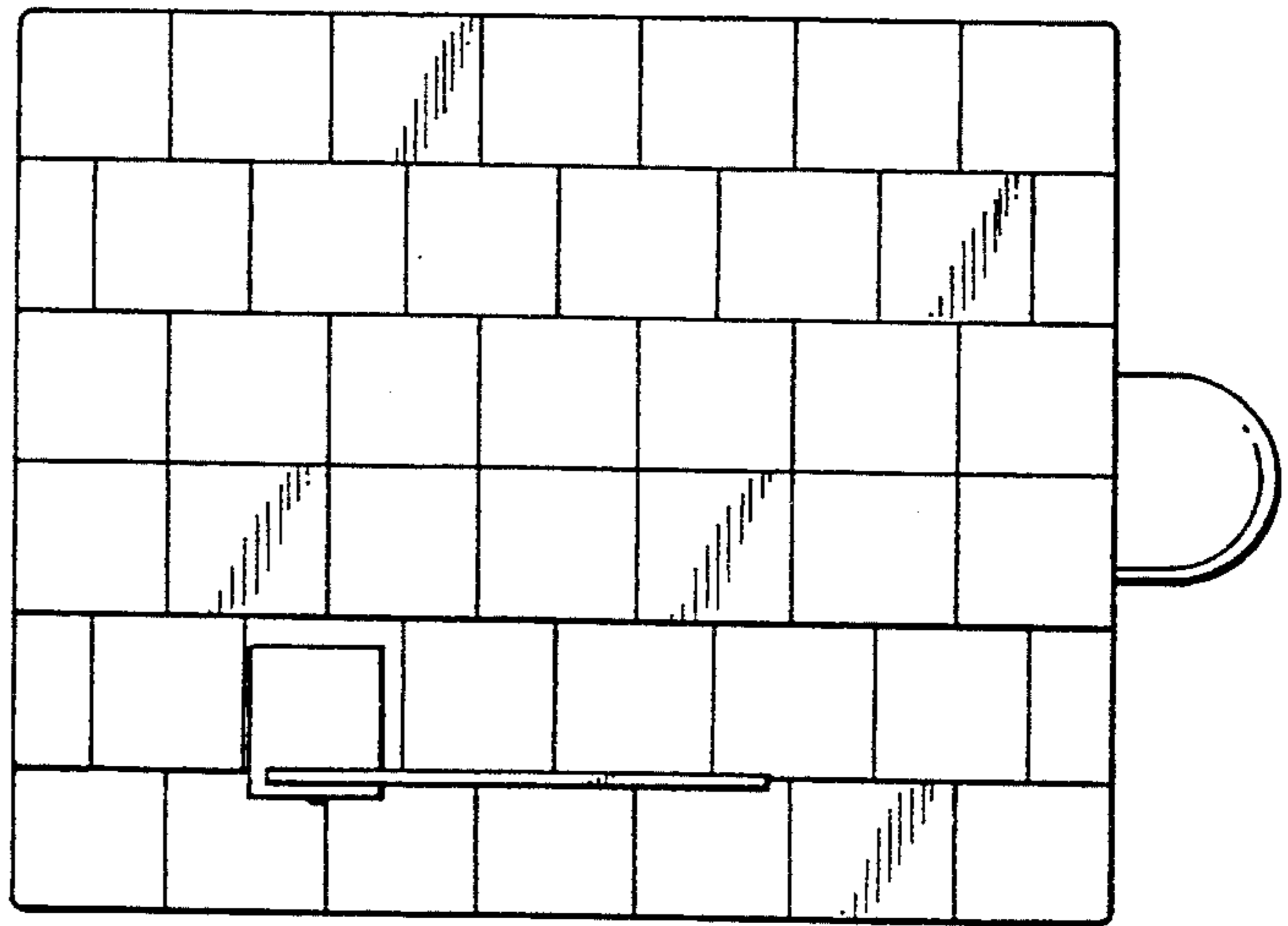


FIG 10

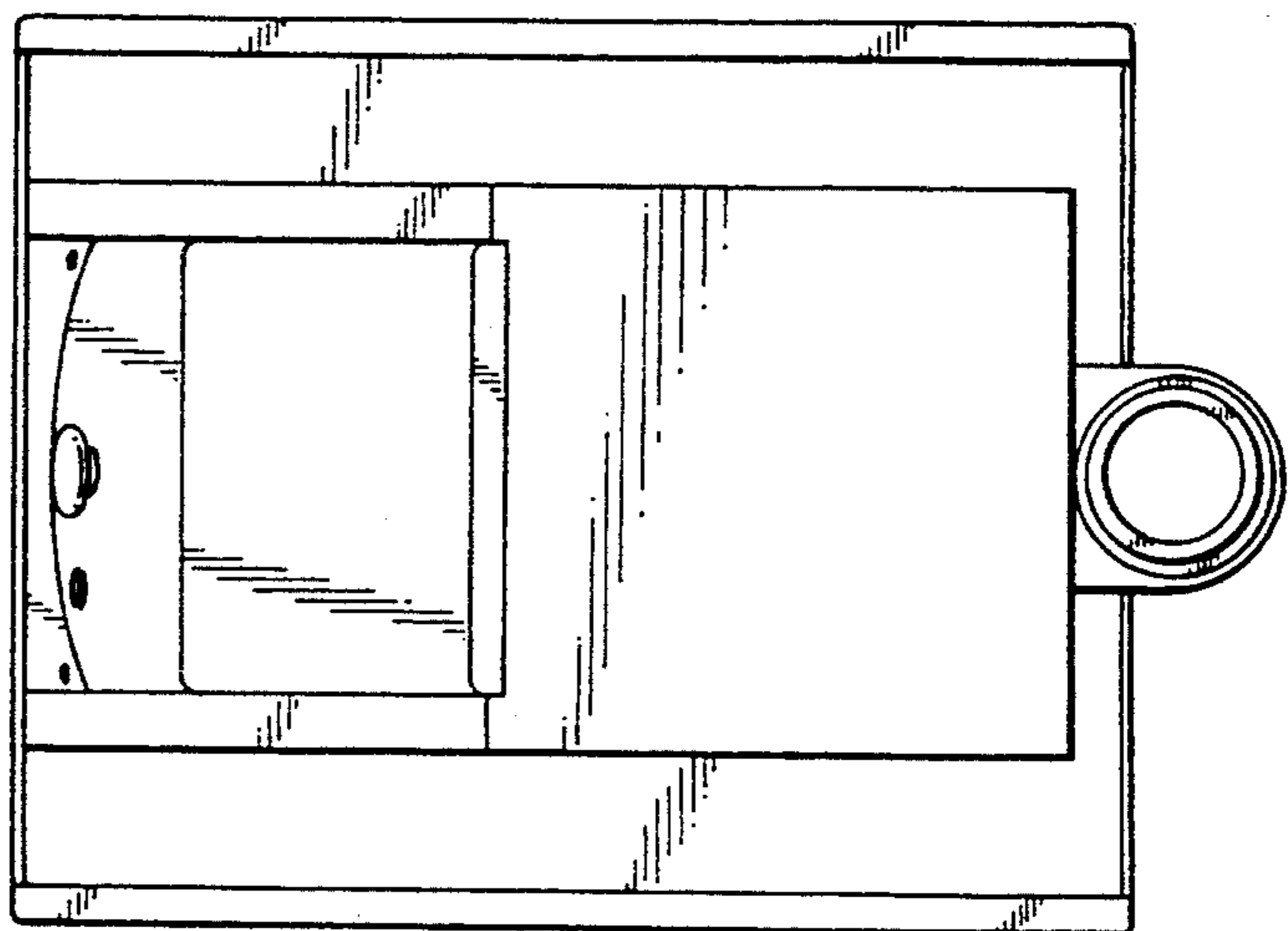


FIG 11

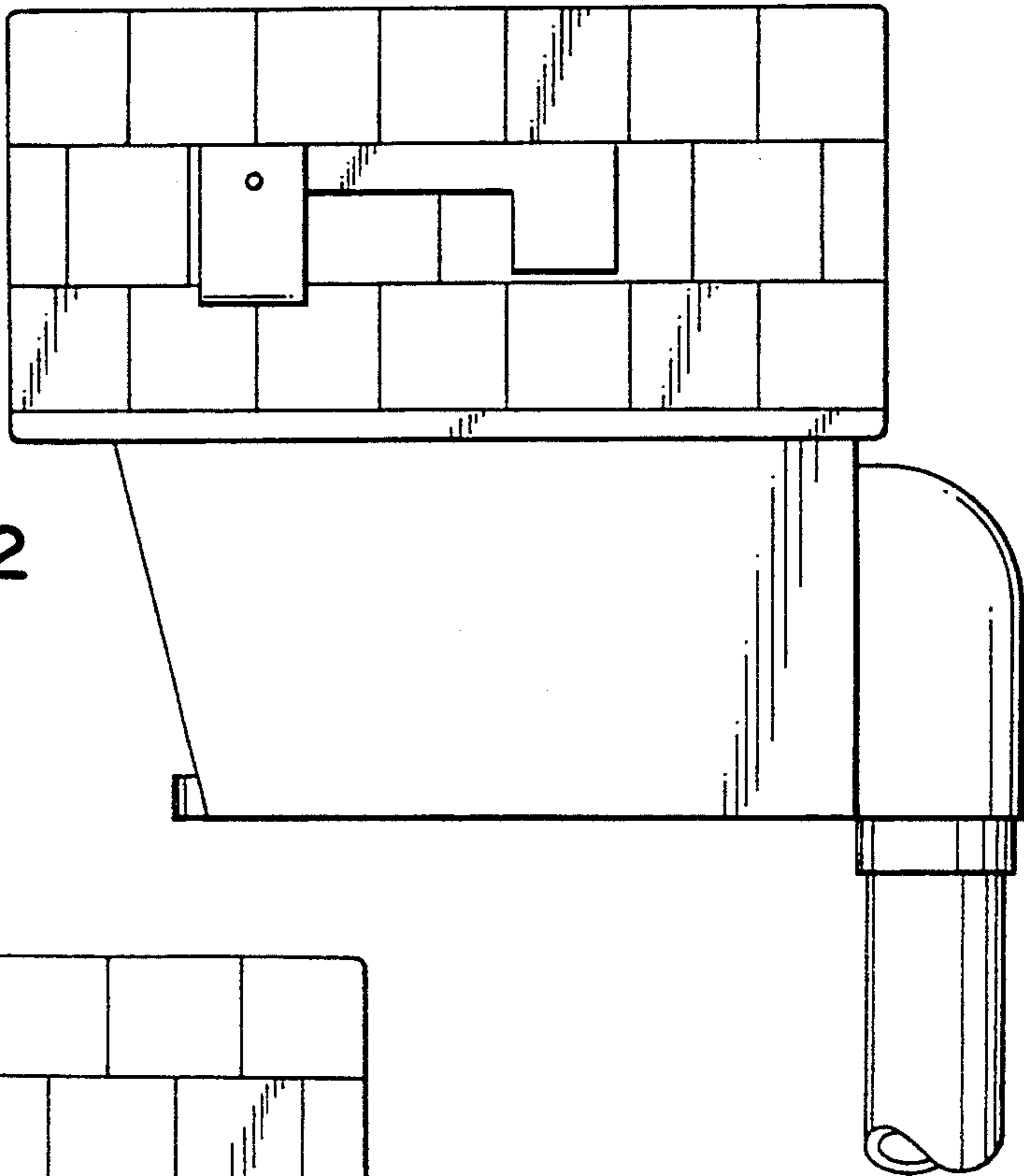


FIG 12

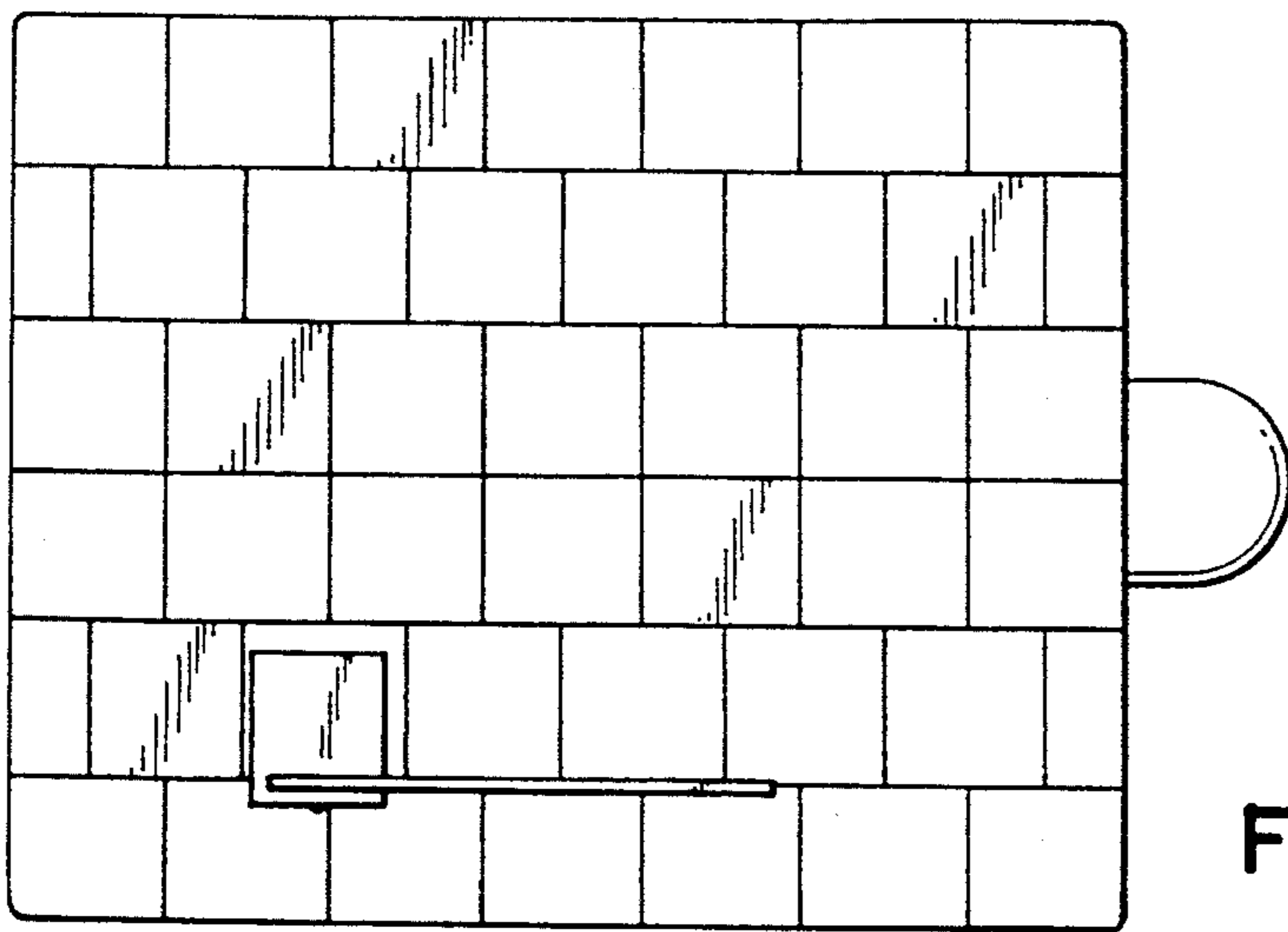


FIG 13

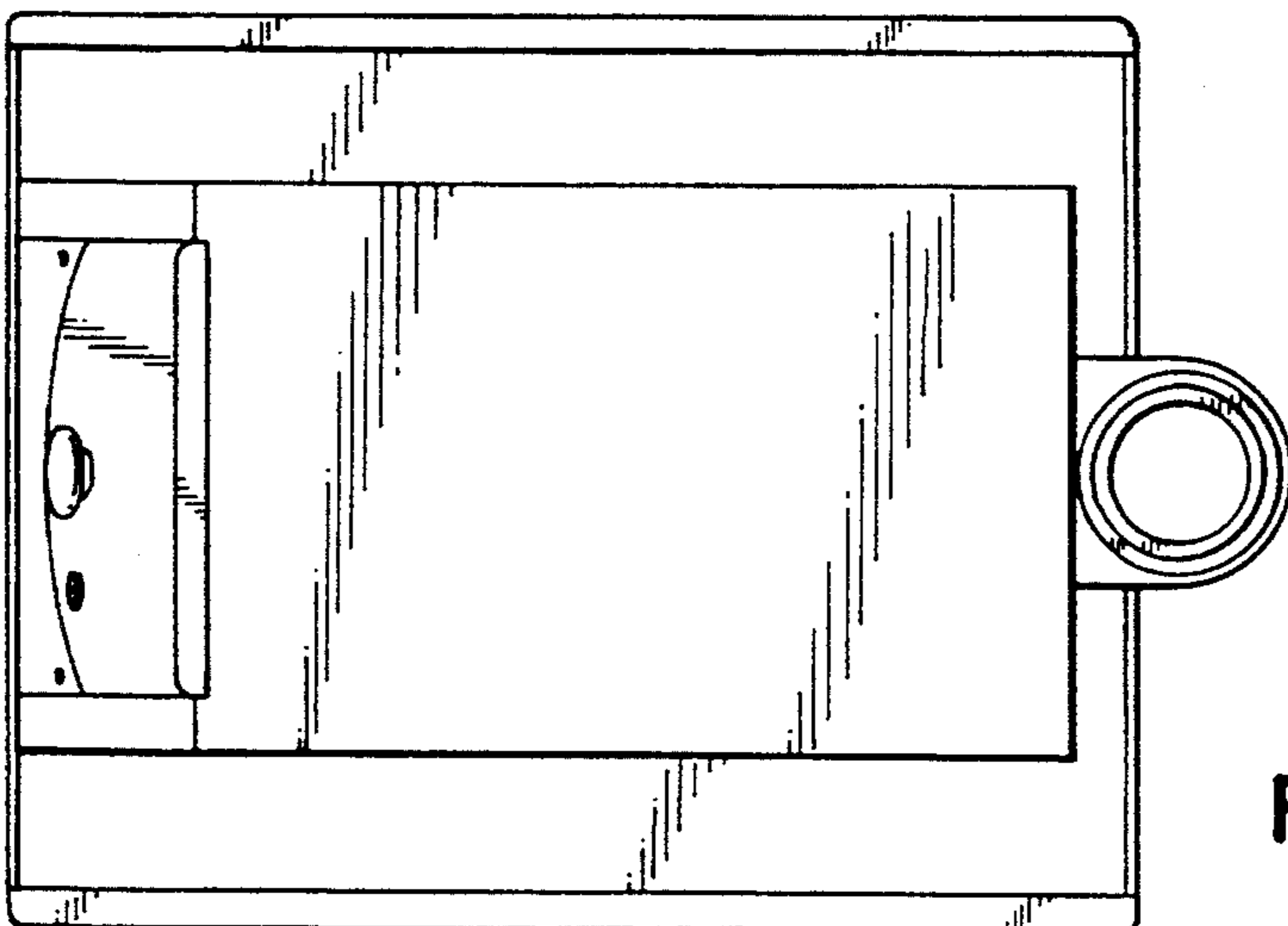


FIG 14

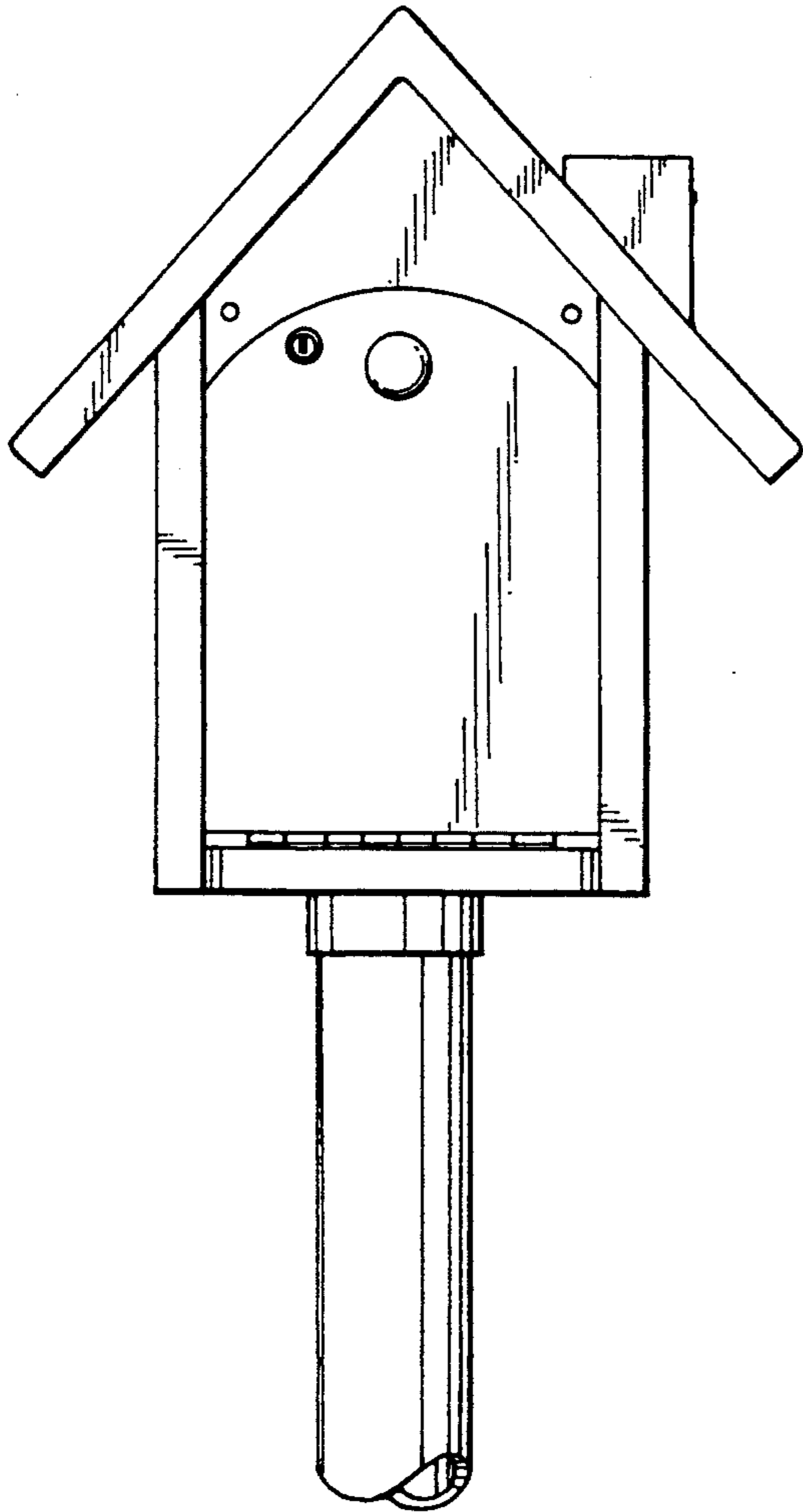


FIG 15

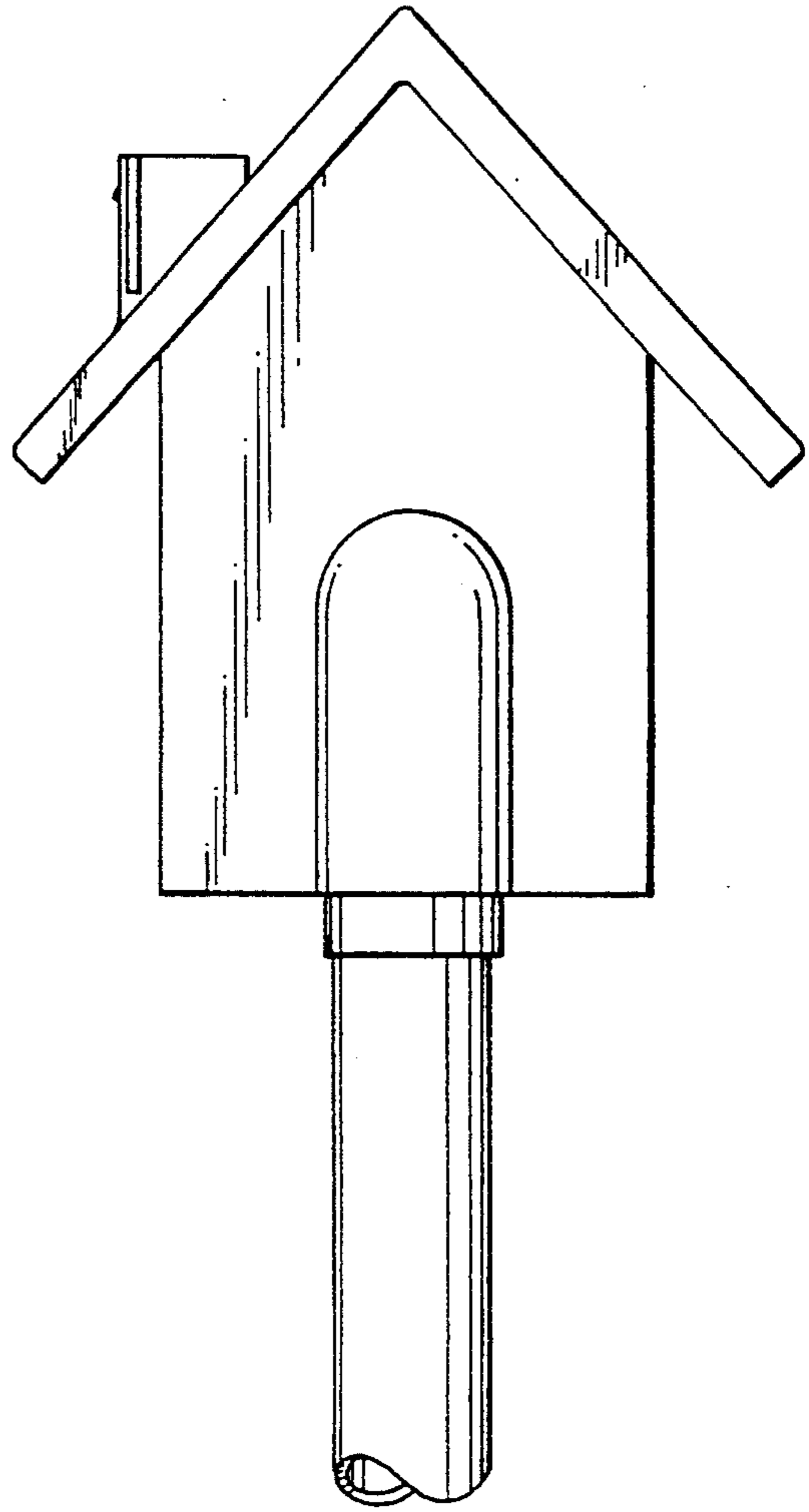
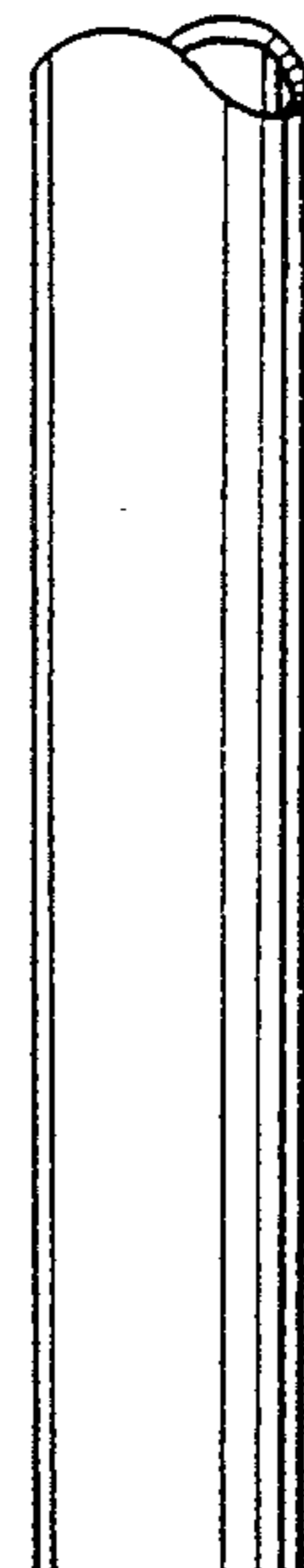


FIG 16



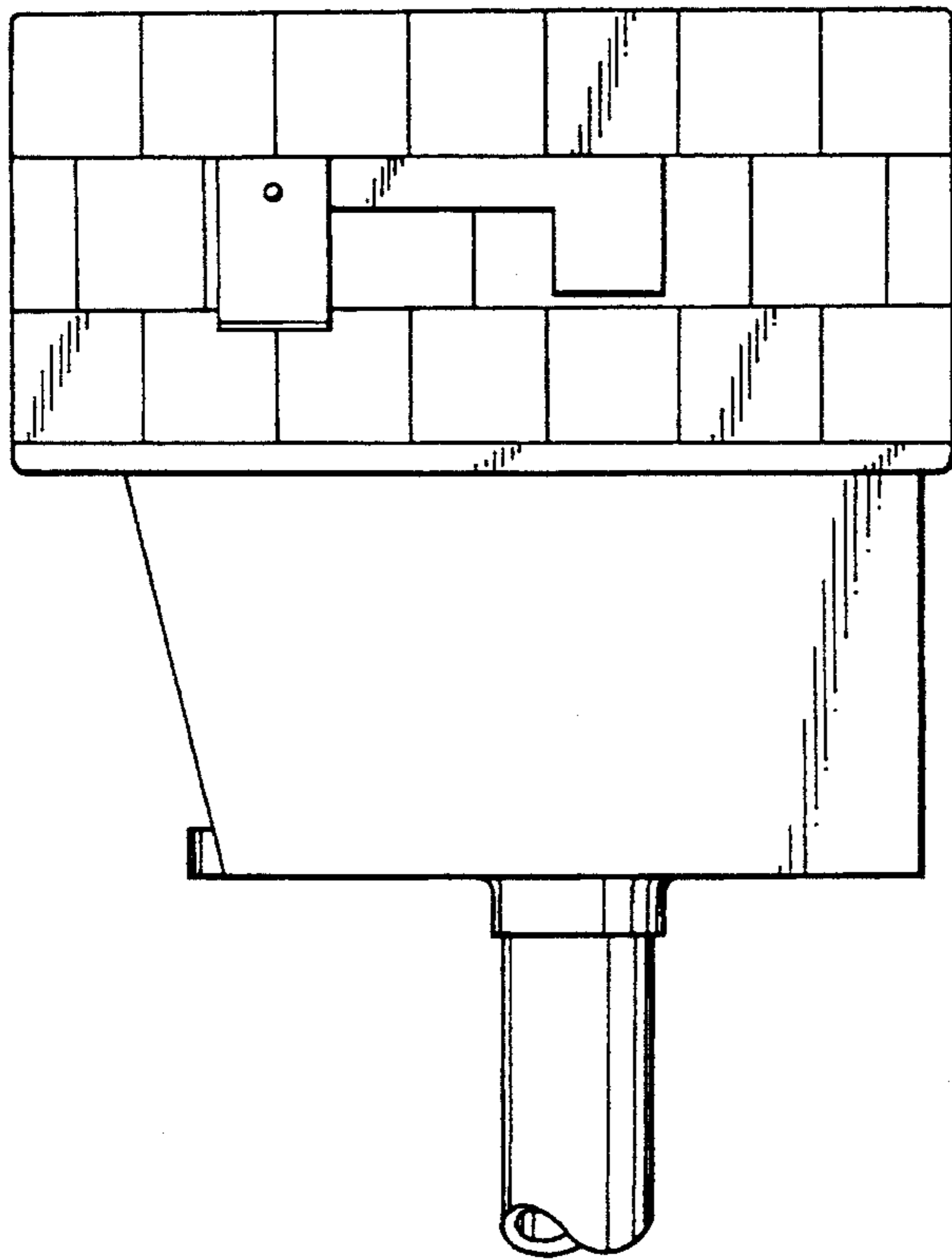


FIG 17

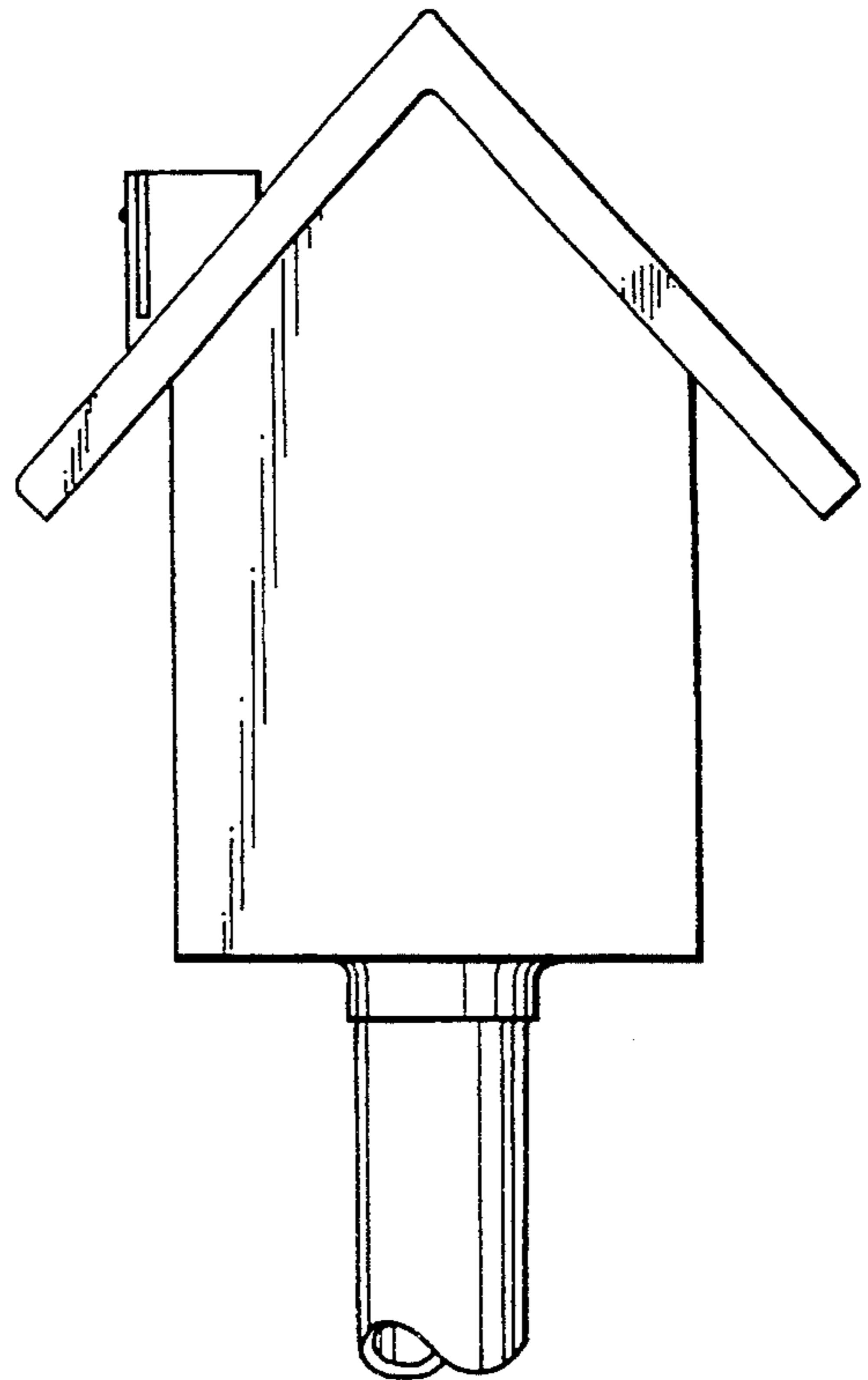


FIG 18

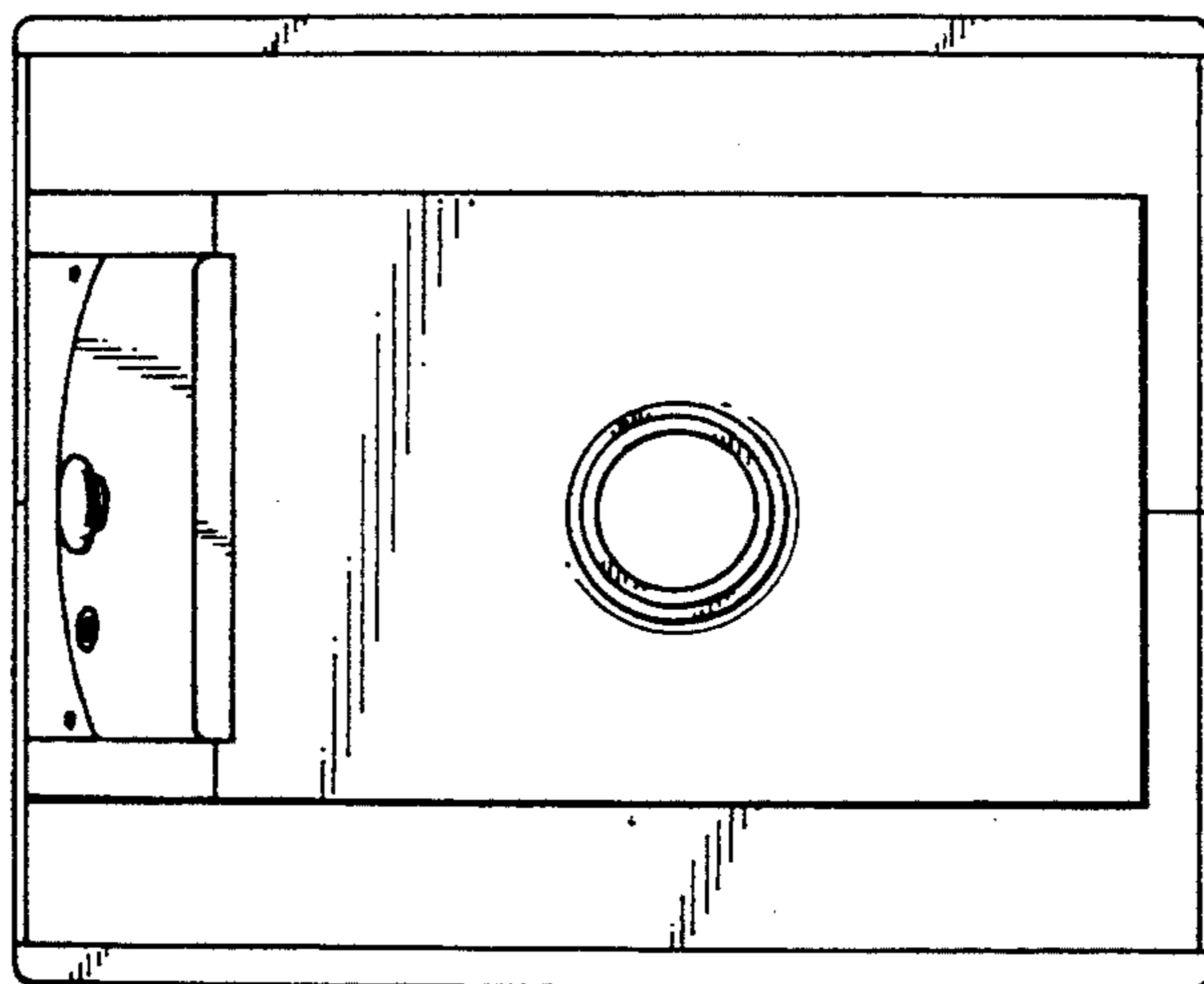


FIG 19