



US00D349996S

United States Patent [19]

[11] Patent Number: **Des. 349,996**

Litwiller

[45] Date of Patent: **** Aug. 23, 1994**

[54] **HOIST**

[76] Inventor: **J. B. Litwiller**, 3465 W. Johnson Rd., Ithaca, Mich. 48847

[**] Term: **14 Years**

[21] Appl. No.: **930,223**

[22] Filed: **Aug. 17, 1992**

[52] U.S. Cl. **D34/33**

[58] Field of Search 254/334; 212/182, 71; D34/28, 33

[56] **References Cited**

U.S. PATENT DOCUMENTS

1,978,999	10/1934	Jones	254/334
3,084,808	4/1963	Peduzzi et al.	D34/33
4,019,716	4/1977	Smith	254/334
4,148,465	4/1979	Bowman	254/334

Primary Examiner—Kay H. Chin
Attorney, Agent, or Firm—Hugh E. Smith

[57] **CLAIM**

The ornamental design for a hoist, as shown and described.

DESCRIPTION

FIG. 1 is a front elevational view of the hoist showing my new design;

FIG. 2 is a rear elevational view thereof;

FIG. 3 is a left side elevational view thereof;

FIG. 4 is a right side elevational view thereof;

FIG. 5 is a top plan view thereof;

FIG. 6 is a bottom plan view thereof;

FIG. 7 is a front elevational view showing a use thereof; and,

FIG. 8 is a perspective view thereof.

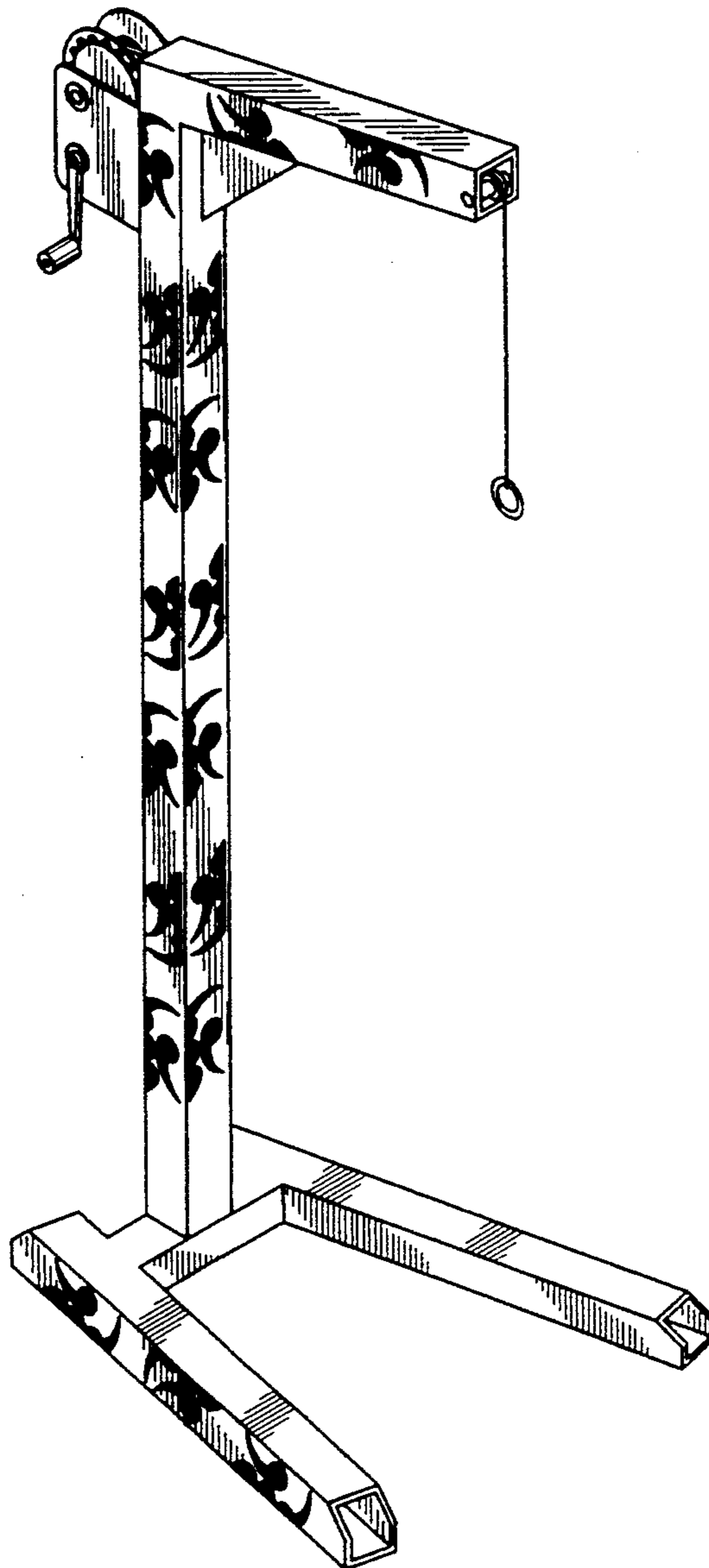


FIG. 1

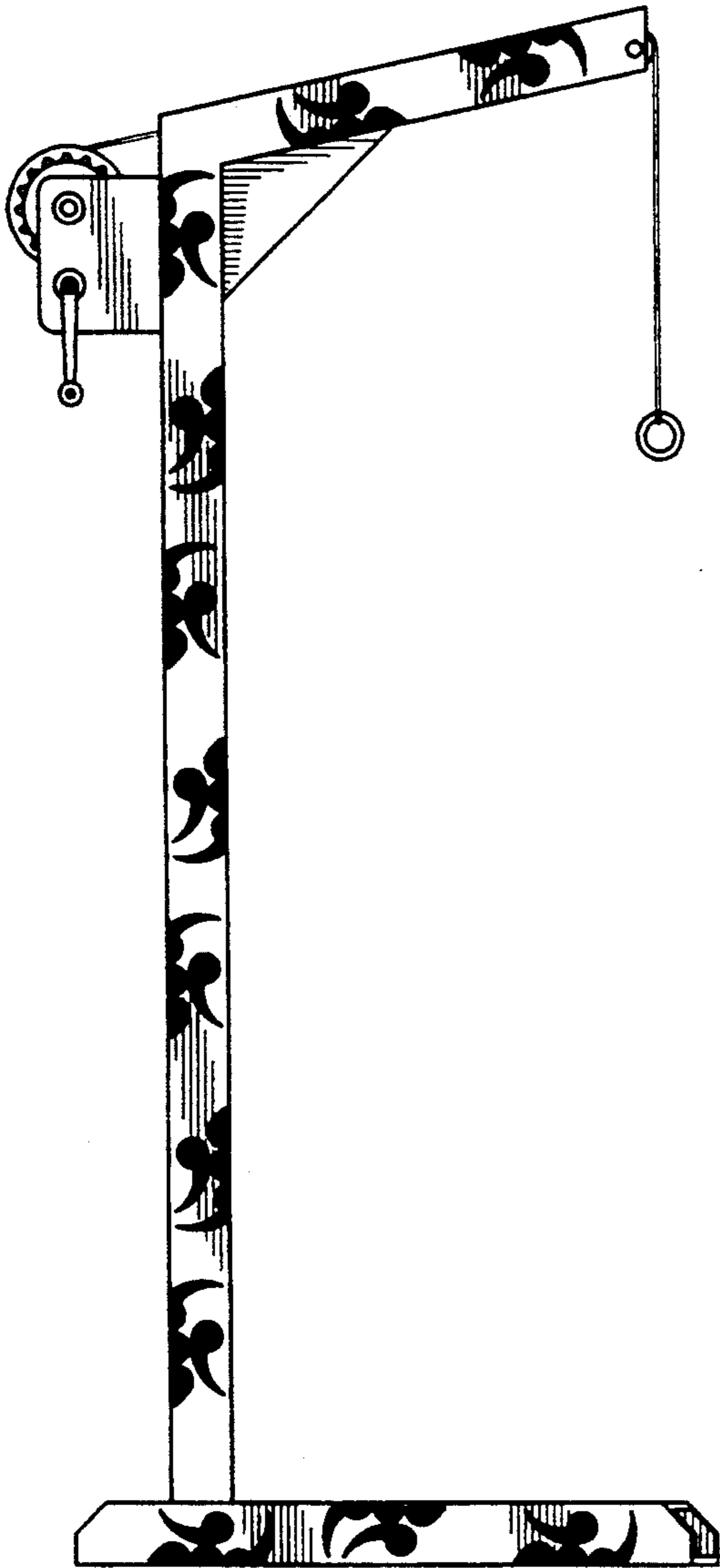


FIG. 2

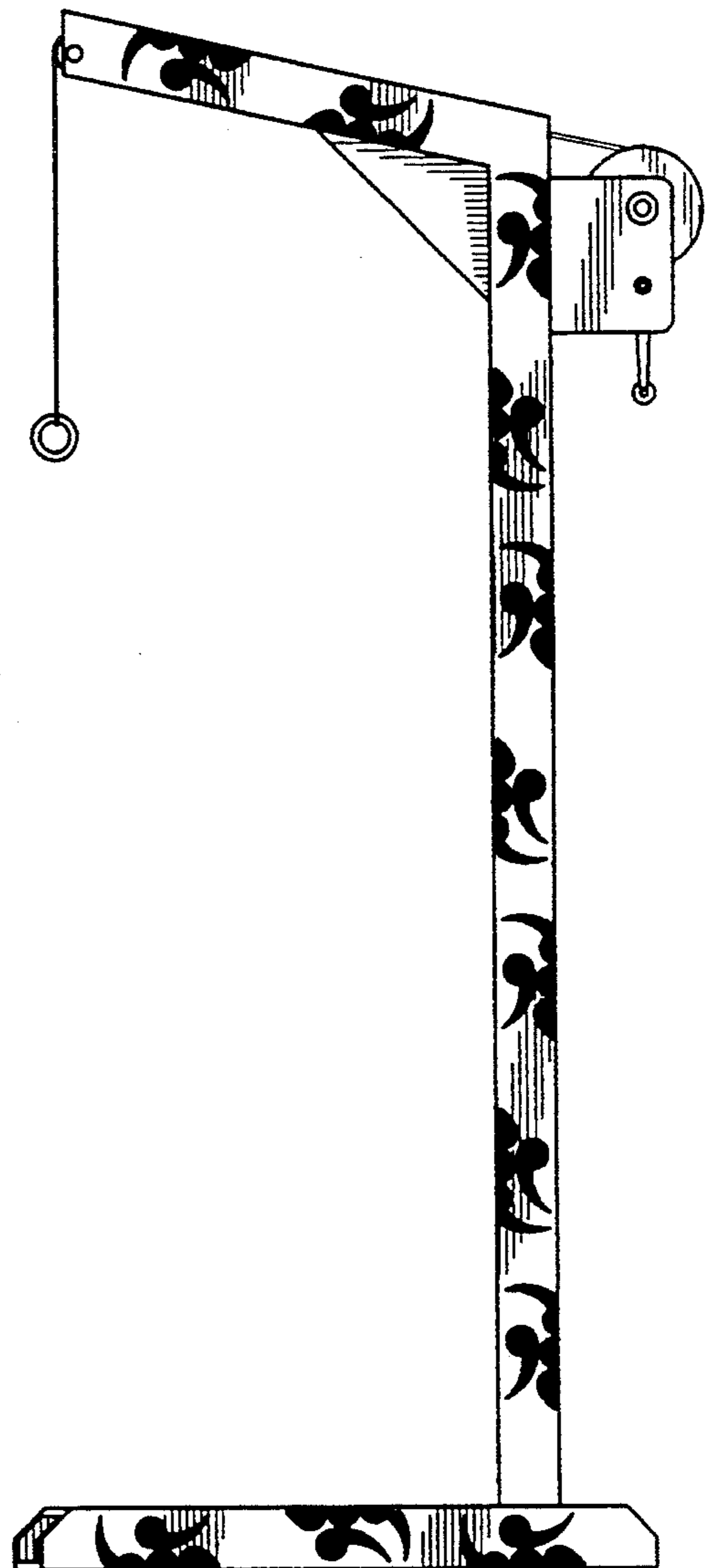


FIG. 3

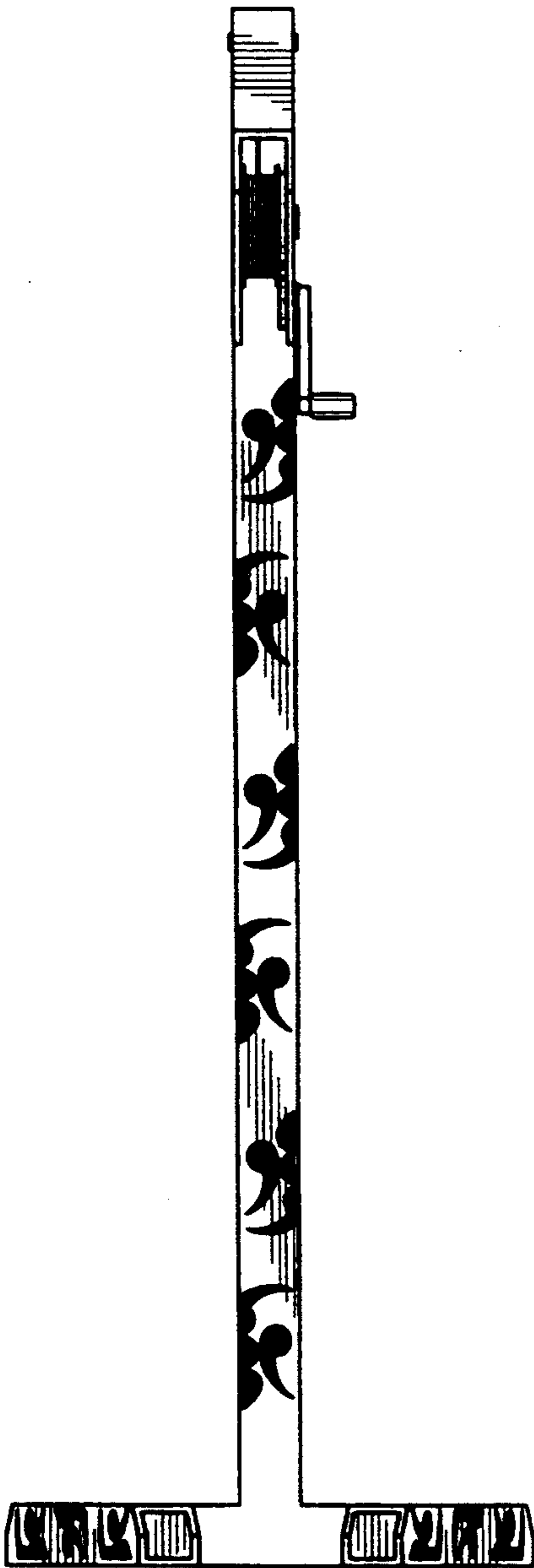


FIG. 4

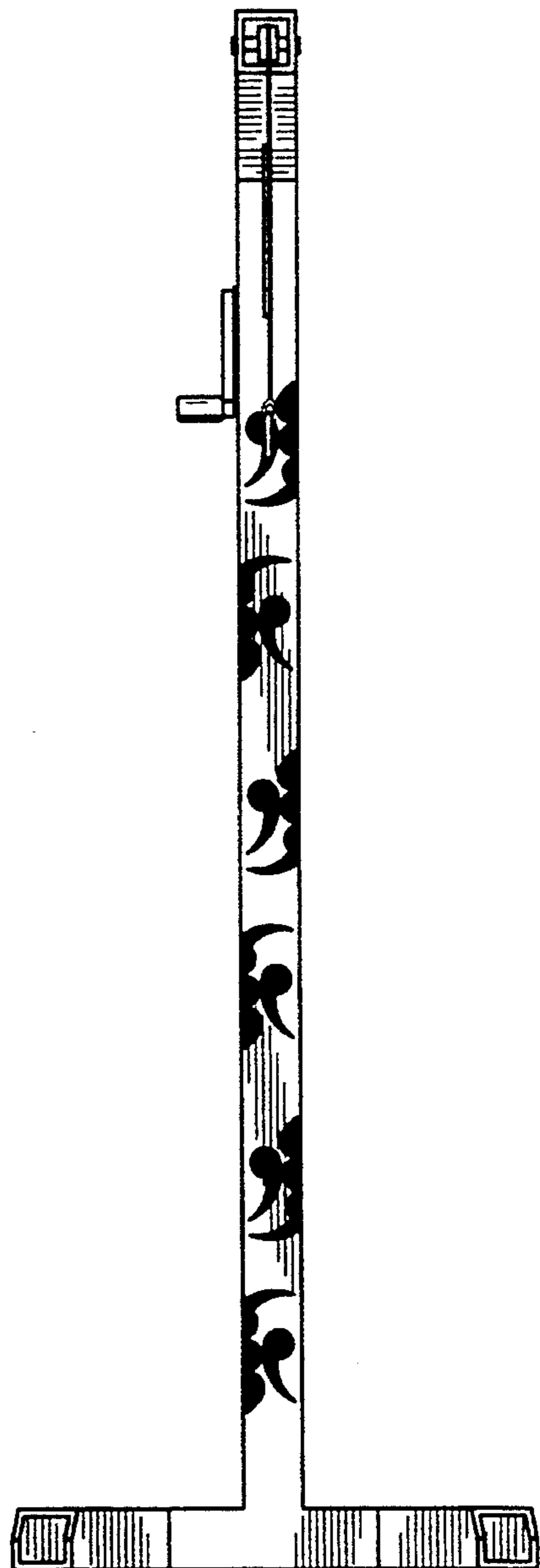


FIG. 5

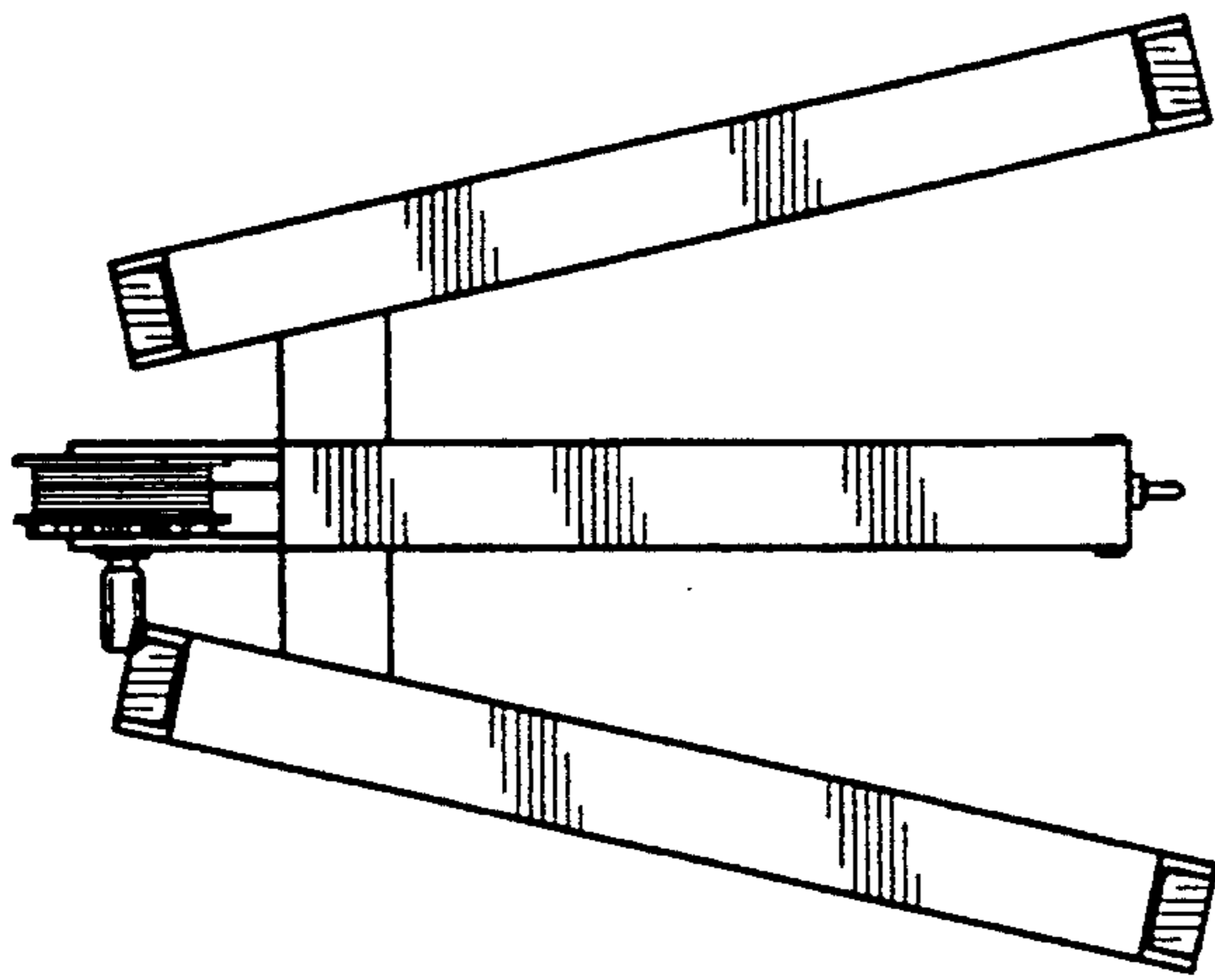


FIG. 6

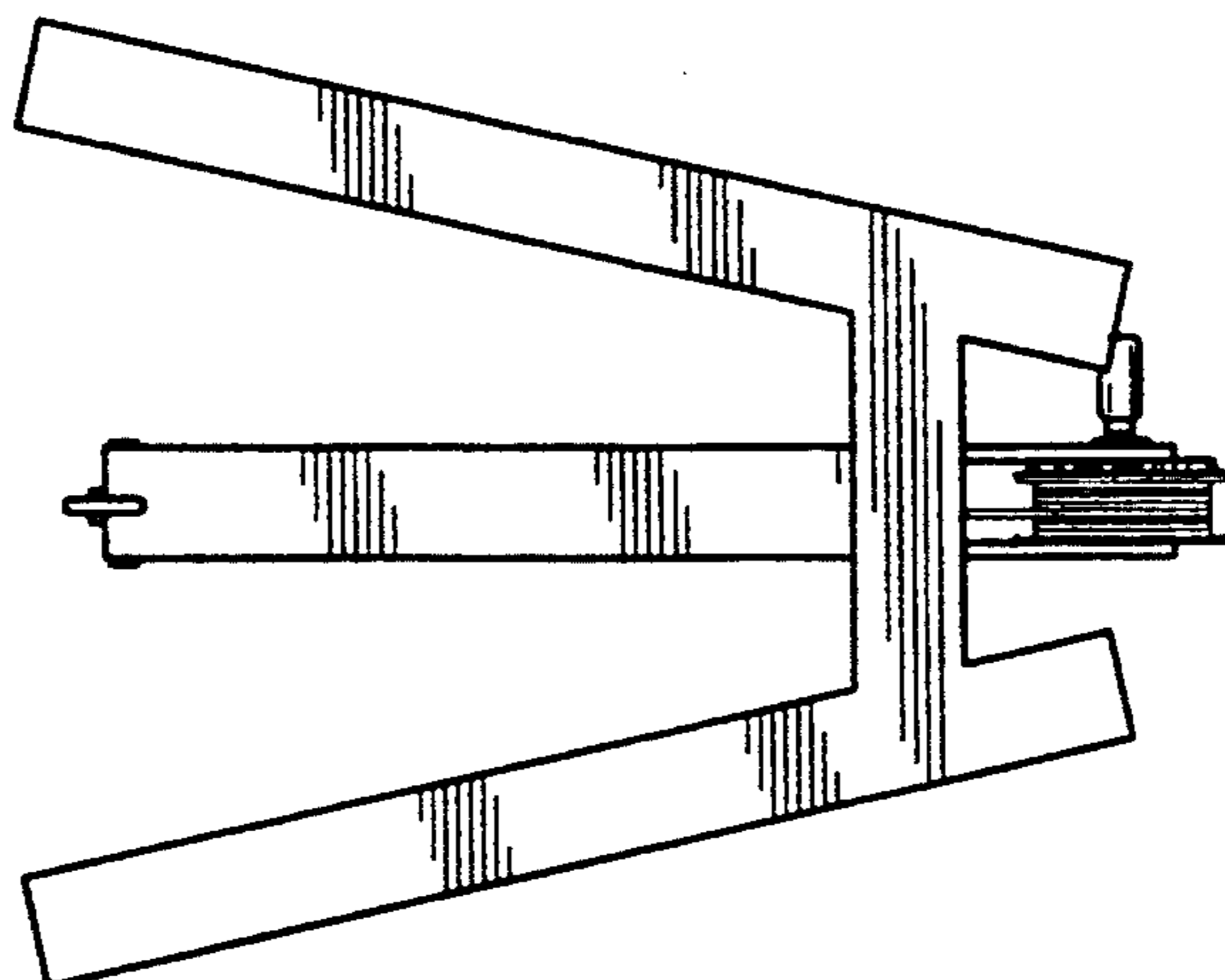


FIG. 7

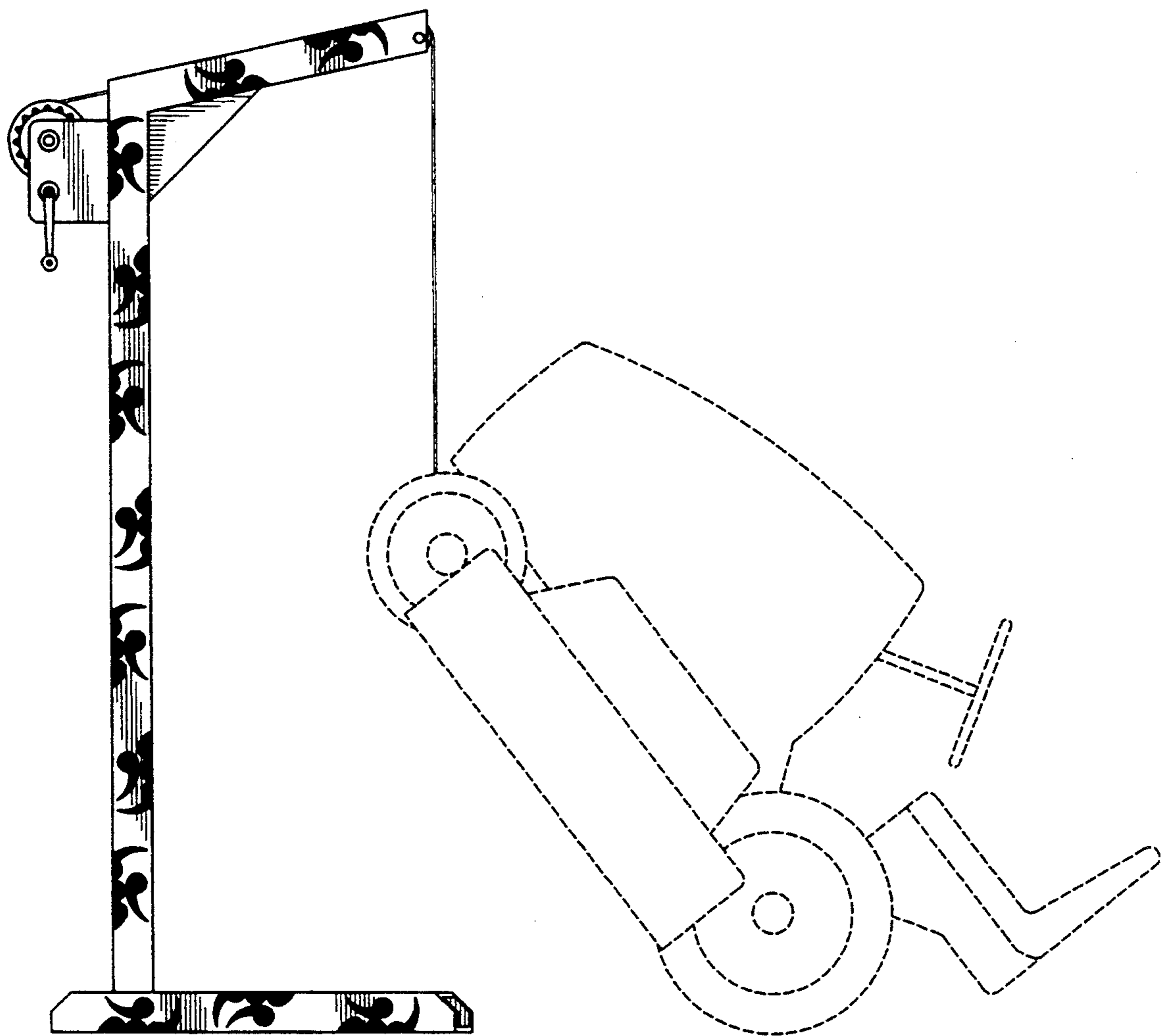


FIG. 8

