



US00D349995S

United States Patent [19]

[11] Patent Number: **Des. 349,995**

Cassel et al.

[45] Date of Patent: **** Aug. 23, 1994**

[54] **INDUSTRIAL CONTAINER DOLLY**

[75] Inventors: **Timothy S. Cassel**, Arlington; **Paul Benham**, Leominster, both of Mass.

[73] Assignee: **Tucker Housewares**, Leominster, Mass.

[**] Term: **14 Years**

[21] Appl. No.: **7,360**

[22] Filed: **Apr. 20, 1993**

[52] U.S. Cl. **D34/23; D34/27**

[58] Field of Search 280/79.2, 79.11, 79.3, 280/47.34, 651; D34/23, 12, 27

[56] **References Cited**

U.S. PATENT DOCUMENTS

- D. 251,833 5/1979 Maza D12/31
- D. 256,902 9/1980 Maza et al. D12/42
- D. 257,721 12/1980 Maza et al. D12/31

- D. 257,767 1/1981 Maza et al. D12/31
- D. 327,557 6/1992 Juergens D34/23
- D. 328,172 7/1992 Juergens D34/23
- 3,799,391 3/1974 Brescia 220/55
- 5,074,572 12/1991 Delmerico et al. 280/79.2

Primary Examiner—Kay H. Chin
Attorney, Agent, or Firm—Darby & Darby

[57] CLAIM

The ornamental design for an industrial container dolly, as shown and described.

DESCRIPTION

FIG. 1 is a top perspective view of a industrial container dolly showing our new design, the broken lines are for illustrative purposes and form no part of the claimed design;

FIG. 2 is a top plan view thereof;

FIG. 3 is a side elevational view thereof; and,

FIG. 4 is a bottom view.

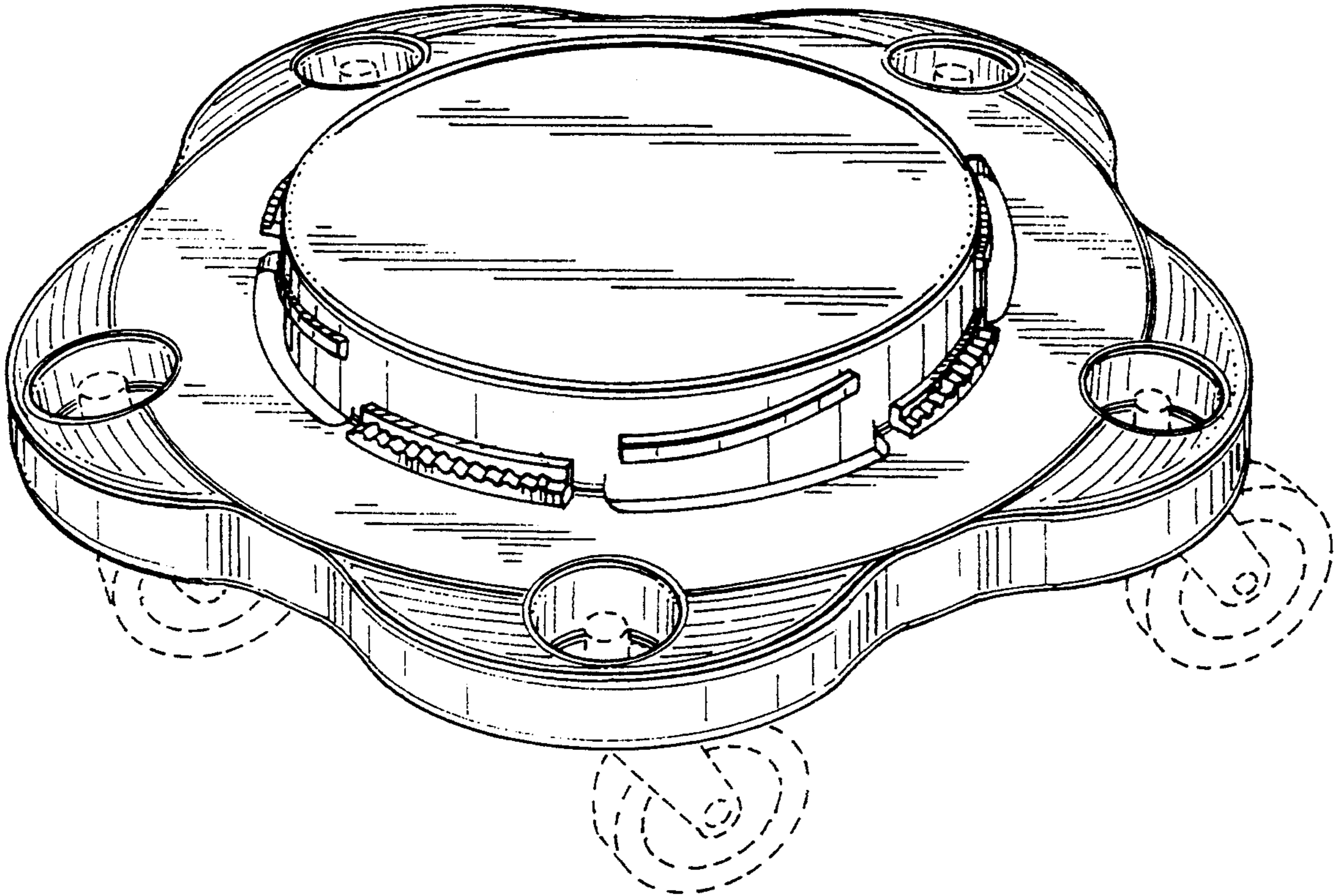
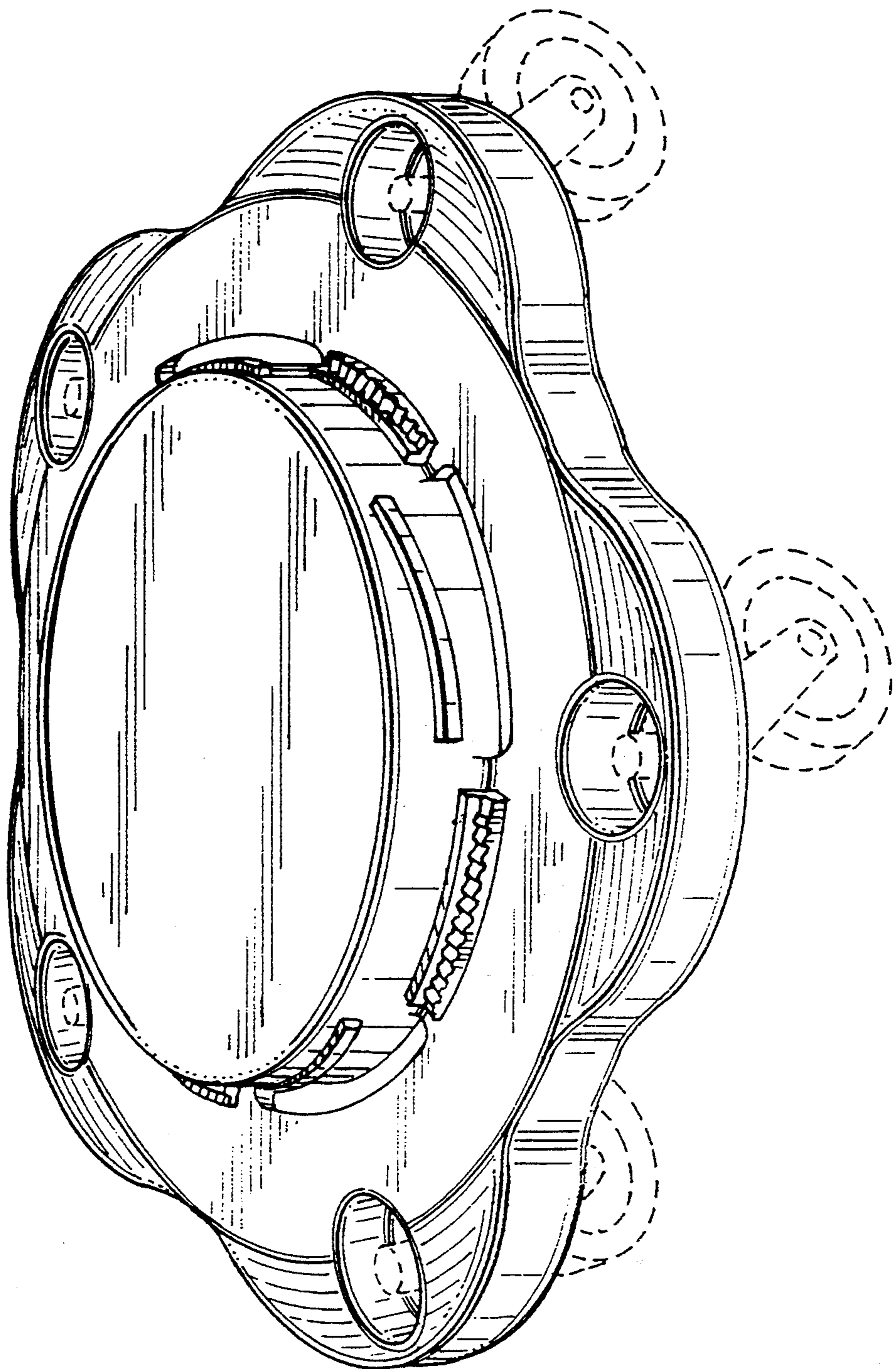


FIG. 1



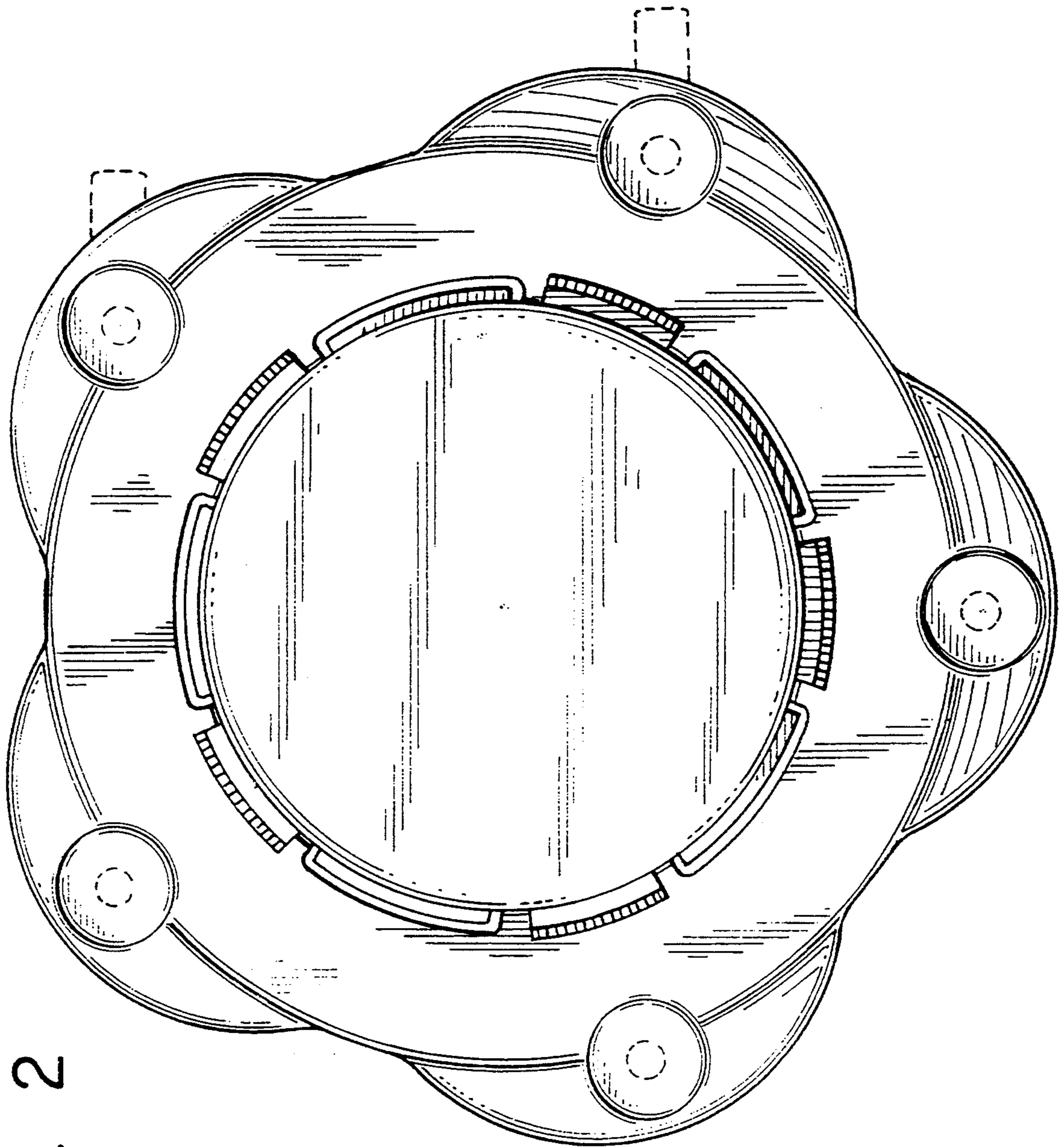
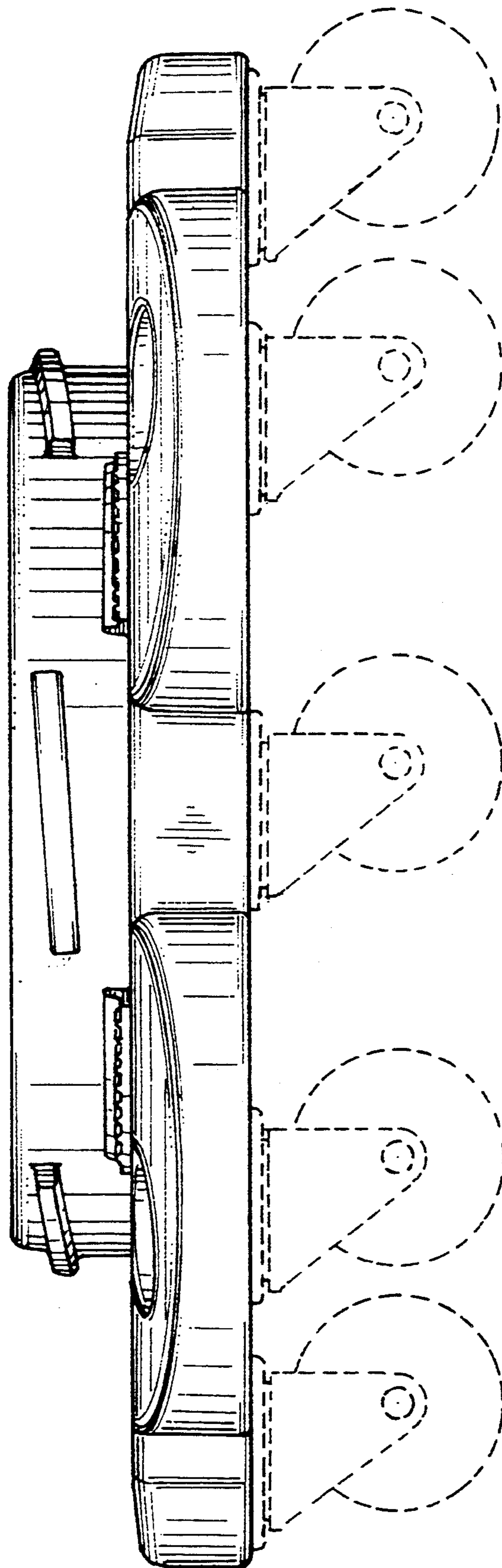


FIG. 2

FIG. 3



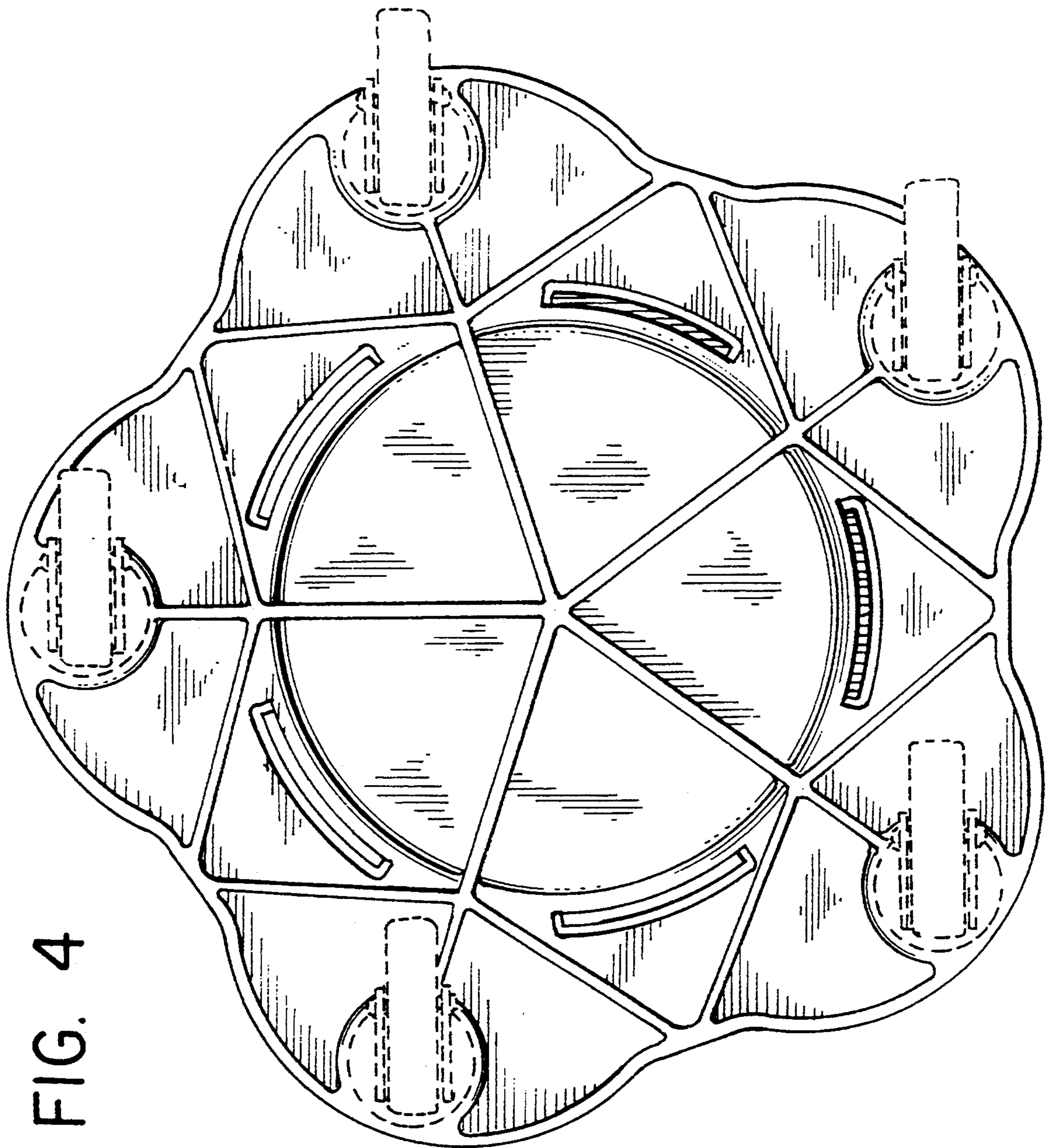


FIG. 4