



US00D349993S

# United States Patent [19]

[11] Patent Number: **Des. 349,993**

**Brand et al.**

[45] Date of Patent: **\*\* Aug. 23, 1994**

[54] **DOLLY**

*Attorney, Agent, or Firm*—Timothy T. Tyson

[75] Inventors: **Barry E. Brand**, 16580 Montauk Rd., Apple Valley, Calif. 92307; **Roger A. Evans**, Apple Valley, Calif.

[57] **CLAIM**

The ornamental design for a dolly, as shown and described.

[73] Assignee: **Barry E. Brand**, Apple Valley, Calif.

### DESCRIPTION

[\*\*] Term: **14 Years**

FIG. 1 is a top plan view of a dolly, showing our new design;

[21] Appl. No.: **1,044**

FIG. 2 is a front elevational view thereof;

[22] Filed: **Nov. 2, 1992**

FIG. 3 is a right side elevational view thereof, the left side elevational view being the mirror image;

[52] U.S. Cl. .... **D34/23; D34/12**

FIG. 4 is a bottom plan view thereof;

[58] Field of Search ..... 280/79.11, 79.4; 414/430, 428; D34/12, 23

FIG. 5 is a back elevational view thereof;

FIG. 6 is a top plan view of a second embodiment thereof;

[56] **References Cited**

#### U.S. PATENT DOCUMENTS

D. 213,679	4/1969	Mayer	.....	D34/23
2,980,270	4/1961	Elliott et al.	.....	414/430
3,024,036	3/1962	Reynolds	.....	414/430
4,572,531	2/1986	Elia	.....	280/79.11
4,784,402	11/1988	Roman	.....	280/79.4
5,211,411	5/1993	Oleksiuk	.....	280/79.11

FIG. 7 is a front elevational view of FIG. 6;

FIG. 8 is a right side elevational view of FIG. 6, the left side elevational view being the mirror image;

FIG. 9 is a bottom plan view of FIG. 6;

FIG. 10 is a back elevational view of FIG. 6; and,

FIG. 11 is a top front right side perspective view.

The broken lines shown in FIGS. 2, 3, 4, 5, 7, 8, 9, 10 are for illustrative purposes only and form no part of the claimed design.

*Primary Examiner*—Kay H. Chin

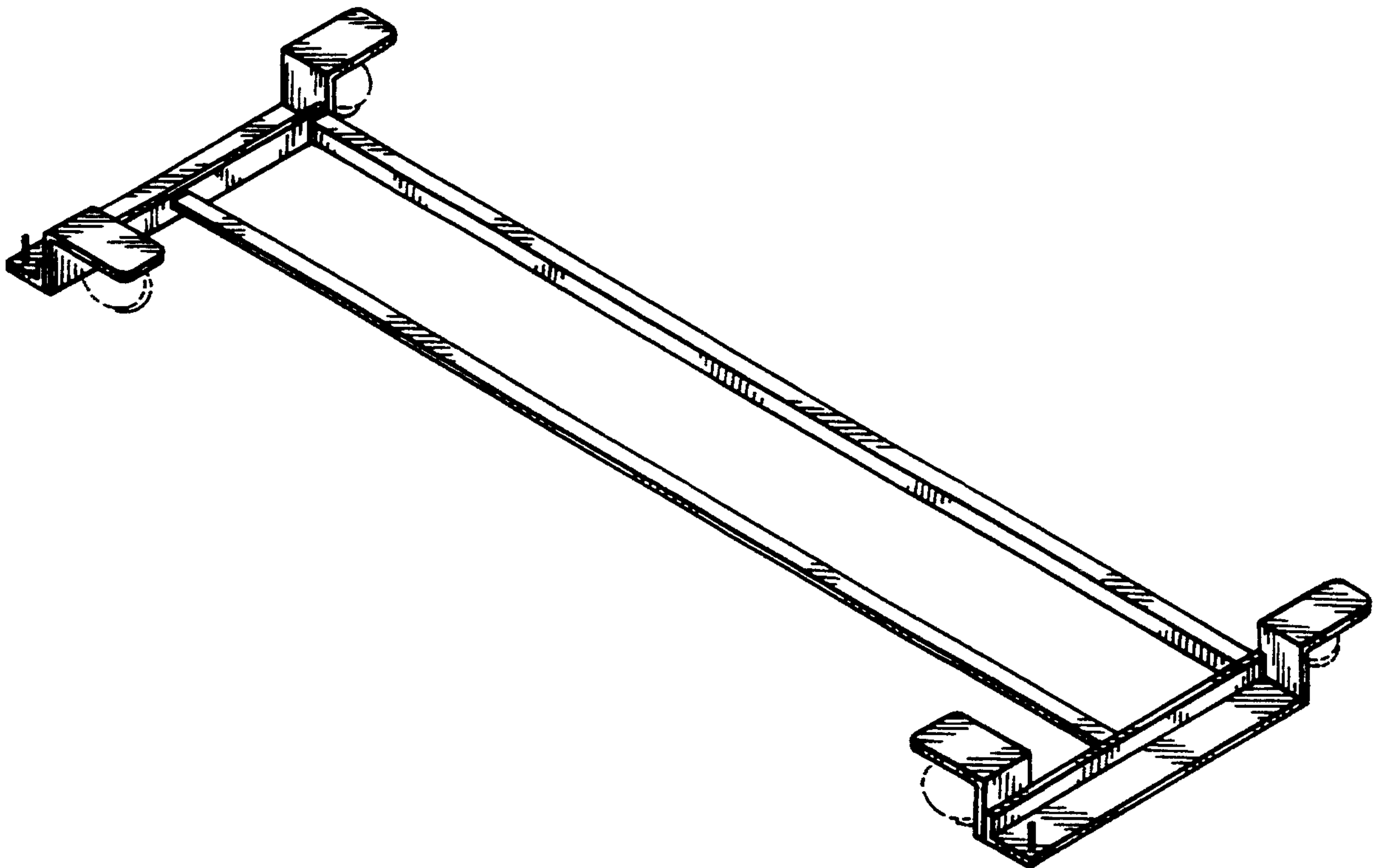


FIG. 1

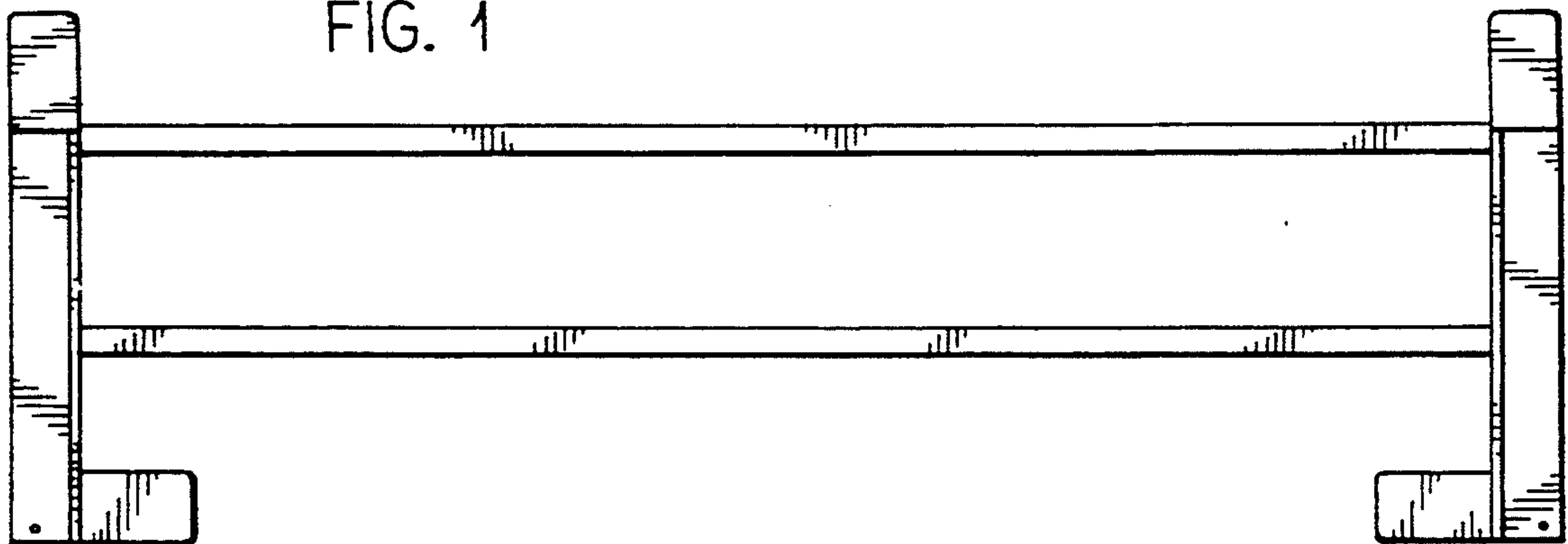


FIG. 2

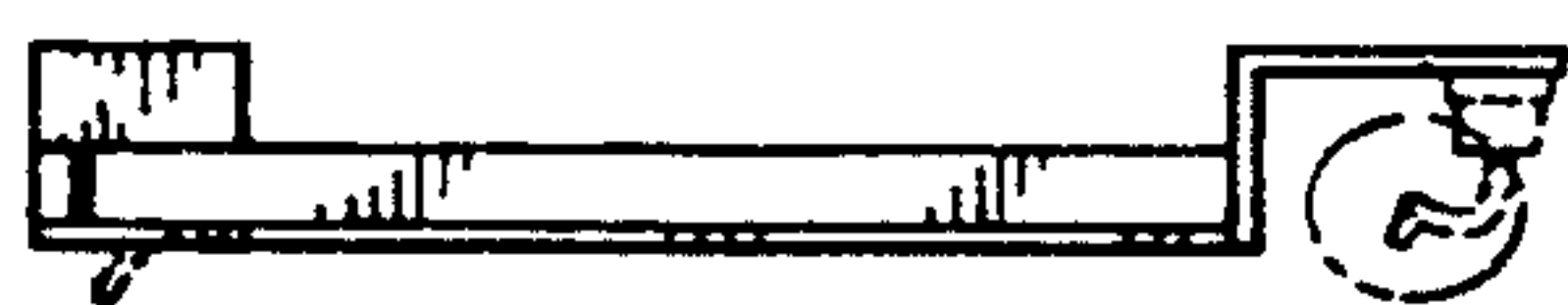


FIG. 3

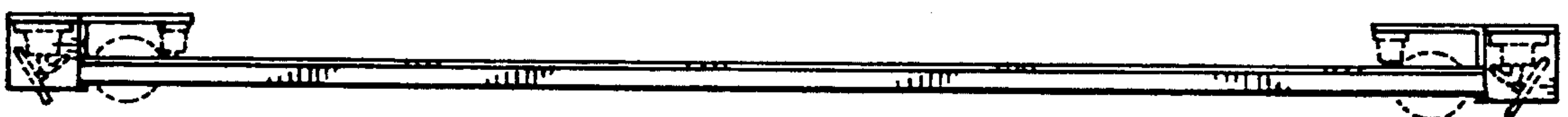


FIG. 4

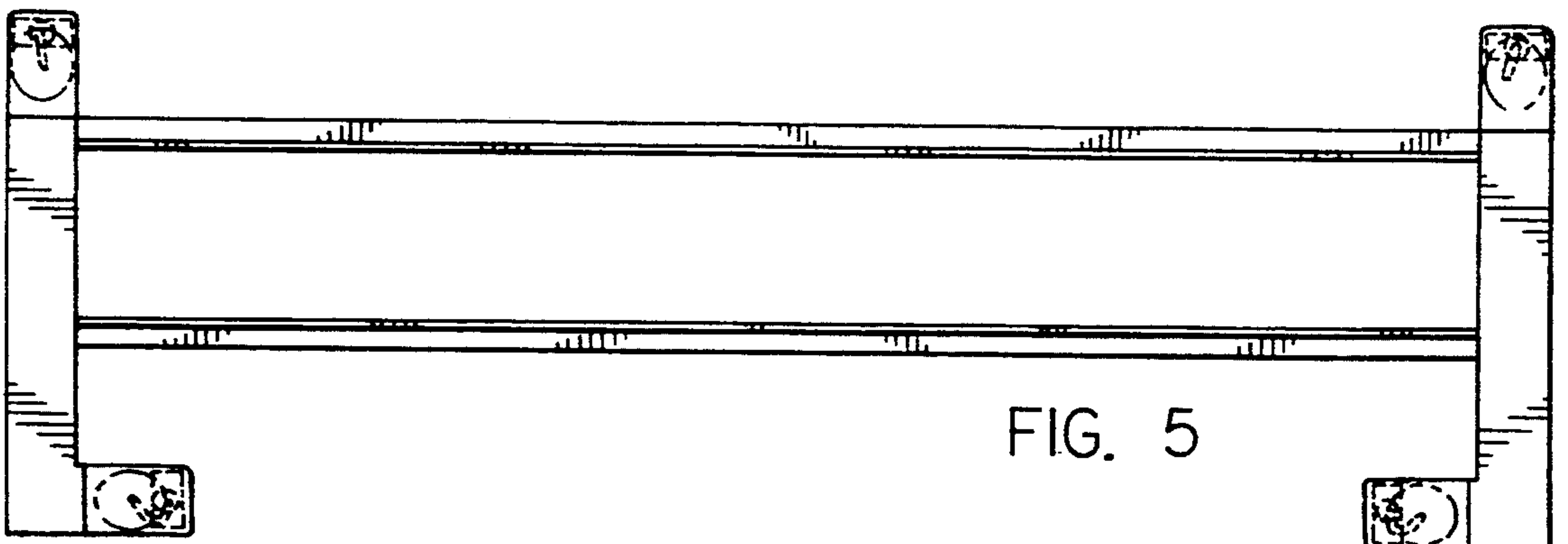


FIG. 5

FIG. 6

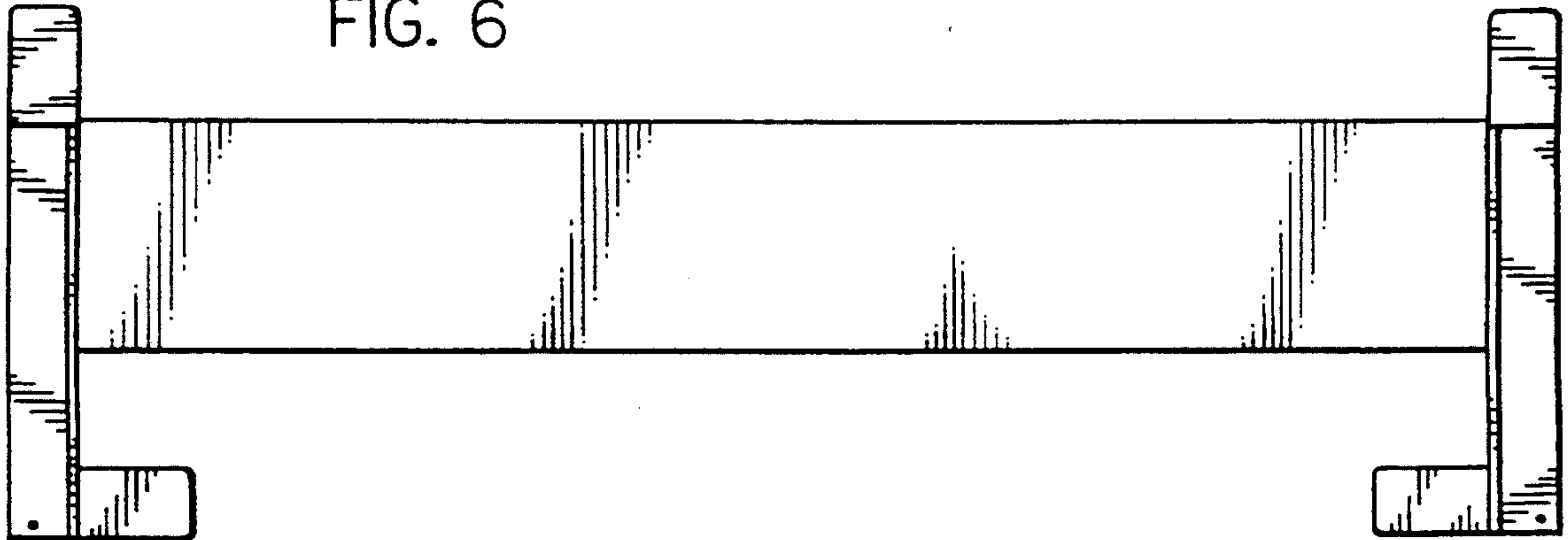


FIG. 7



FIG. 8

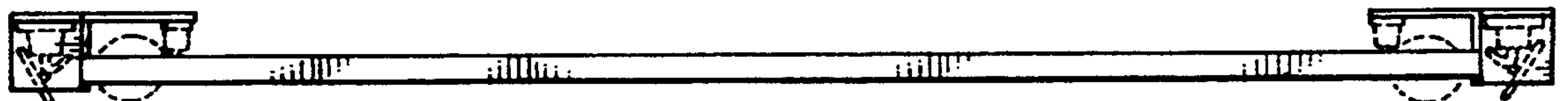
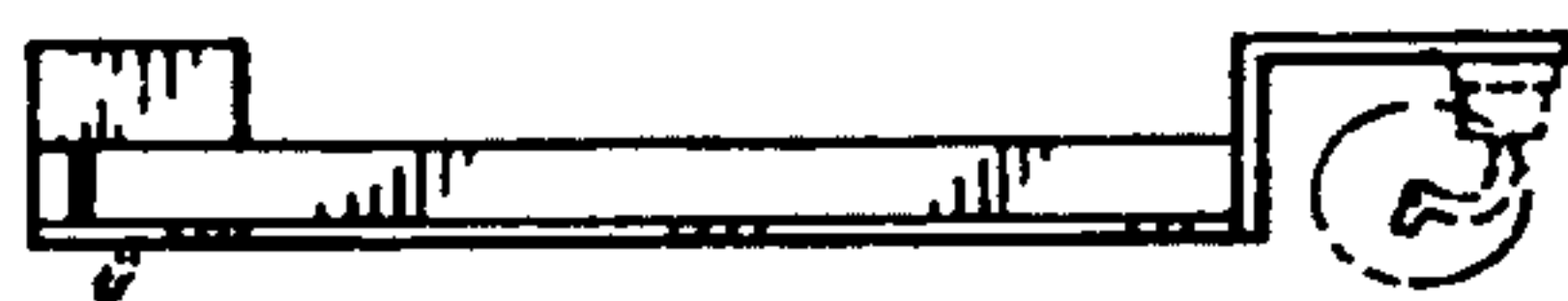


FIG. 9

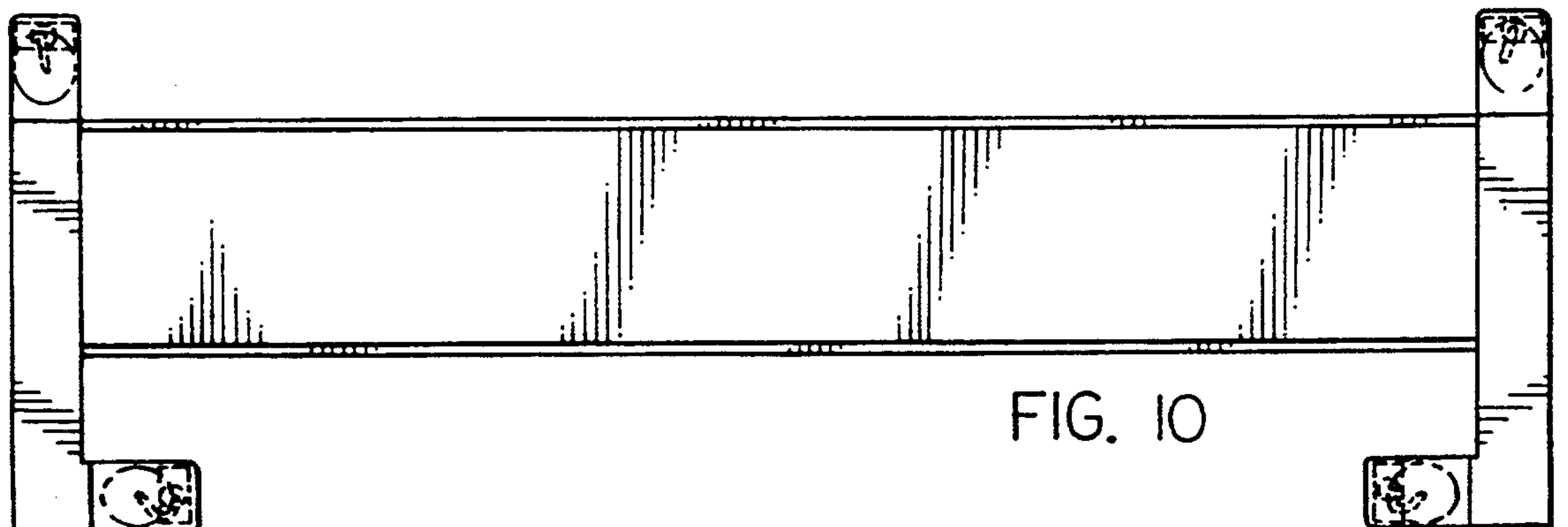


FIG. 10

FIG. 11

