



US00D349990S

United States Patent [19]

Schottel

[11] Patent Number: **Des. 349,990**

[45] Date of Patent: **** Aug. 23, 1994**

[54] SELF PLACEMENT TRANSFER BOARD

[76] Inventor: **James W. Schottel**, 77 Heather Way,
Wood River, Ill. 62095

[**] Term: **14 Years**

[21] Appl. No.: **15,724**

[22] Filed: **Nov. 26, 1993**

[52] U.S. Cl. **D34/32**

[58] Field of Search 14/69.5, 71.1, 71.3,
14/71.5; 105/433, 436; 414/522, 537, 538, 541,
549, 558, 779, 921; 5/81.1; D34/28, 29, 32

[56] **References Cited**

U.S. PATENT DOCUMENTS

1,131,783	3/1915	Howard	14/69.5
1,568,303	1/1926	Webster	14/69.5
1,821,734	9/1931	Viche	14/69.5
2,284,022	5/1942	Schmeller	14/69.5
2,759,207	8/1956	Pennington	14/69.5
2,919,658	1/1960	Kakosa	414/53
4,131,209	12/1978	Manning	105/433
4,627,784	12/1985	Collins	414/558
4,644,594	4/1985	Johnson	
4,711,613	12/1987	Fretwell	414/558
4,759,682	7/1988	Hood	D34/32

4,967,427	12/1990	Cherepy, Sr.	5/81
4,987,621	5/1990	Brantman	5/81
5,067,188	1/1991	Brantman	5/81
5,152,016	6/1992	Becker	5/81.1
5,160,236	11/1992	Redding et al.	414/537
5,193,233	8/1992	Miller	5/81.1

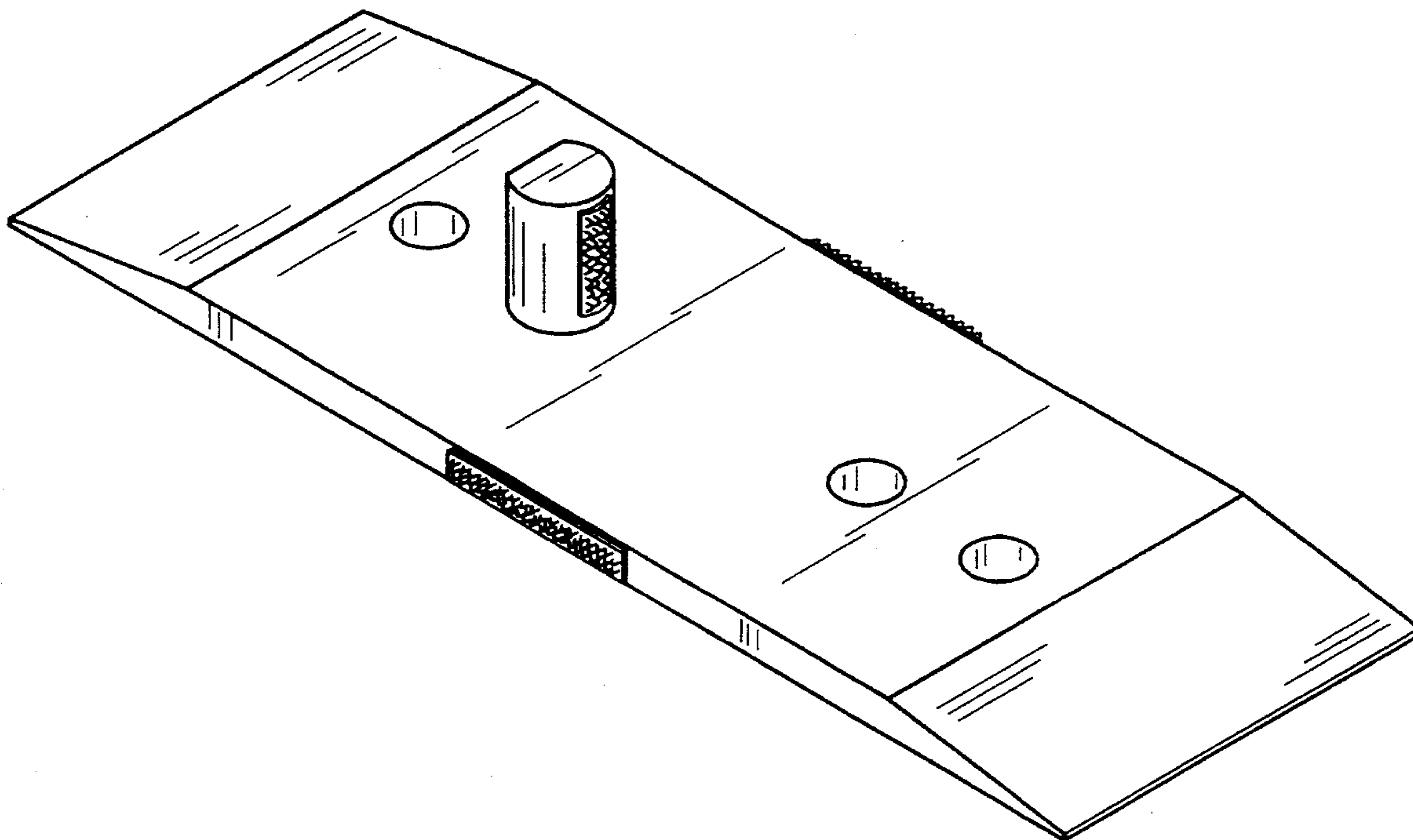
Primary Examiner—Wallace R. Burke
Assistant Examiner—Robin V. Taylor
Attorney, Agent, or Firm—Polster, Lieder, Woodruff & Lucchesi

[57] **CLAIM**

The ornamental design for a self placement transfer board, as shown and described.

DESCRIPTION

FIG. 1 is a perspective view of the self placement transfer board showing my ornamental design;
FIG. 2 is an exploded perspective view thereof;
FIG. 3 is a top plan thereof;
FIG. 4 is a bottom plan thereof;
FIG. 5 is a side elevational view thereof;
FIG. 6 is a side elevational view of the side opposite that shown in FIG. 5;
FIG. 7 is an end elevational view thereof; and,
FIG. 8 is an end elevational view thereof, opposite that of FIG. 7.



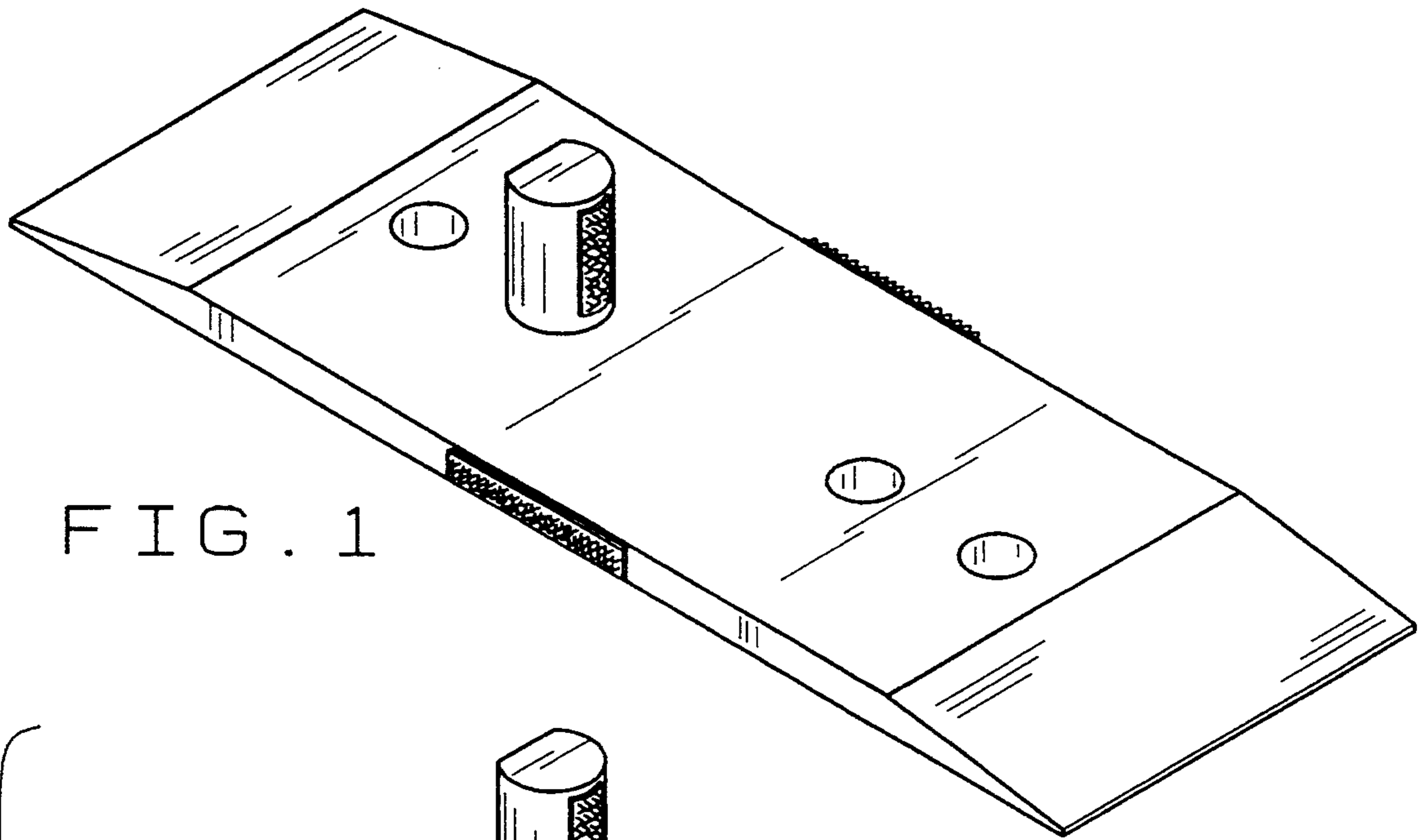


FIG. 1

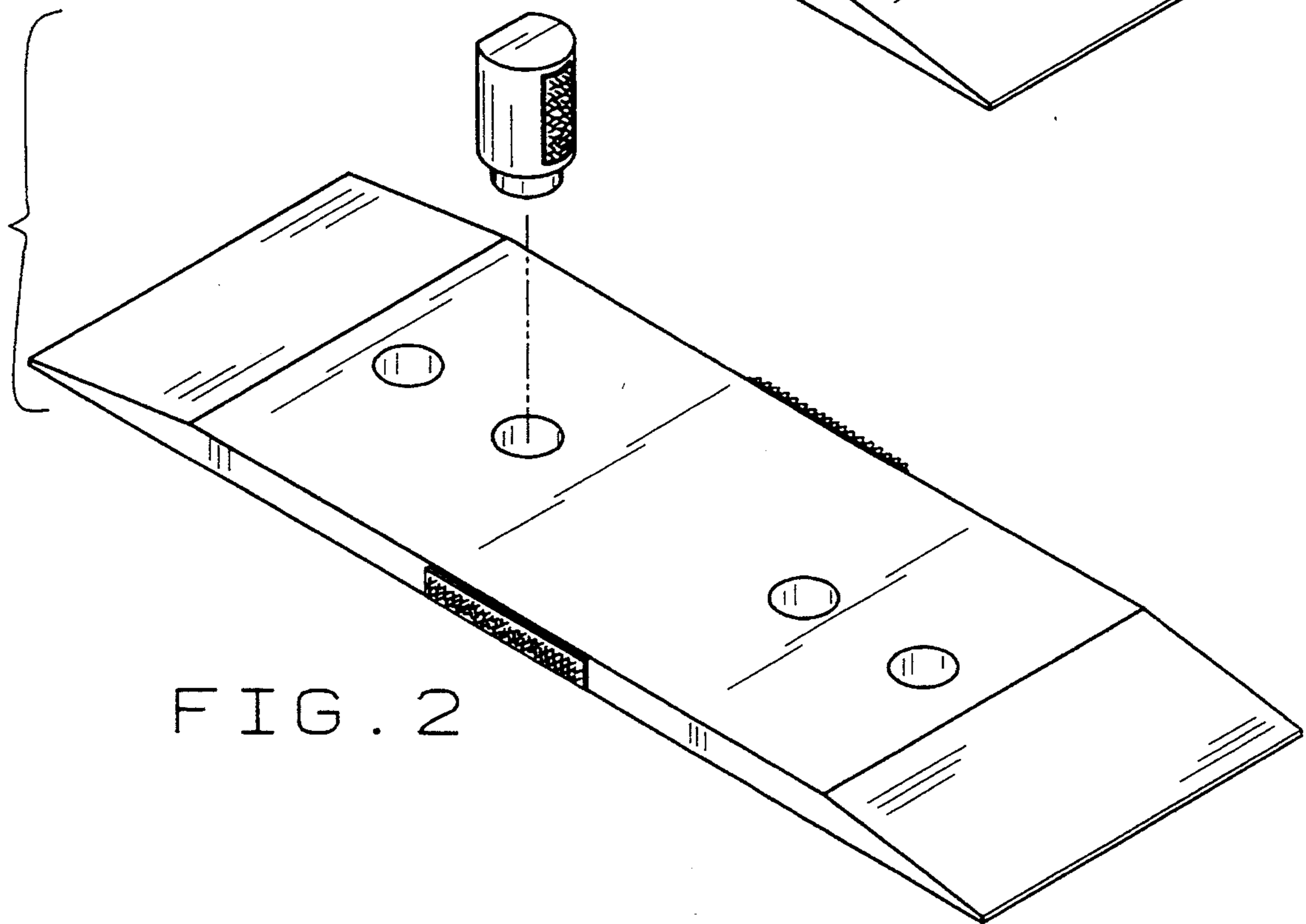


FIG. 2

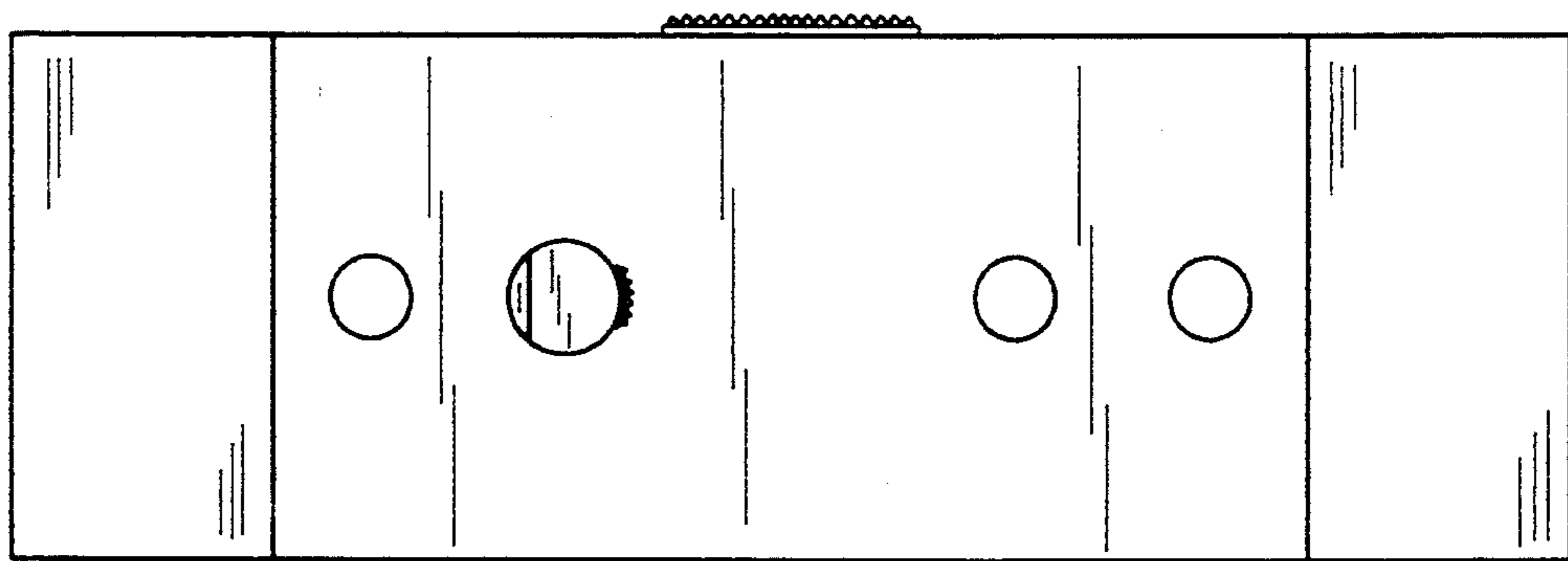


FIG. 3

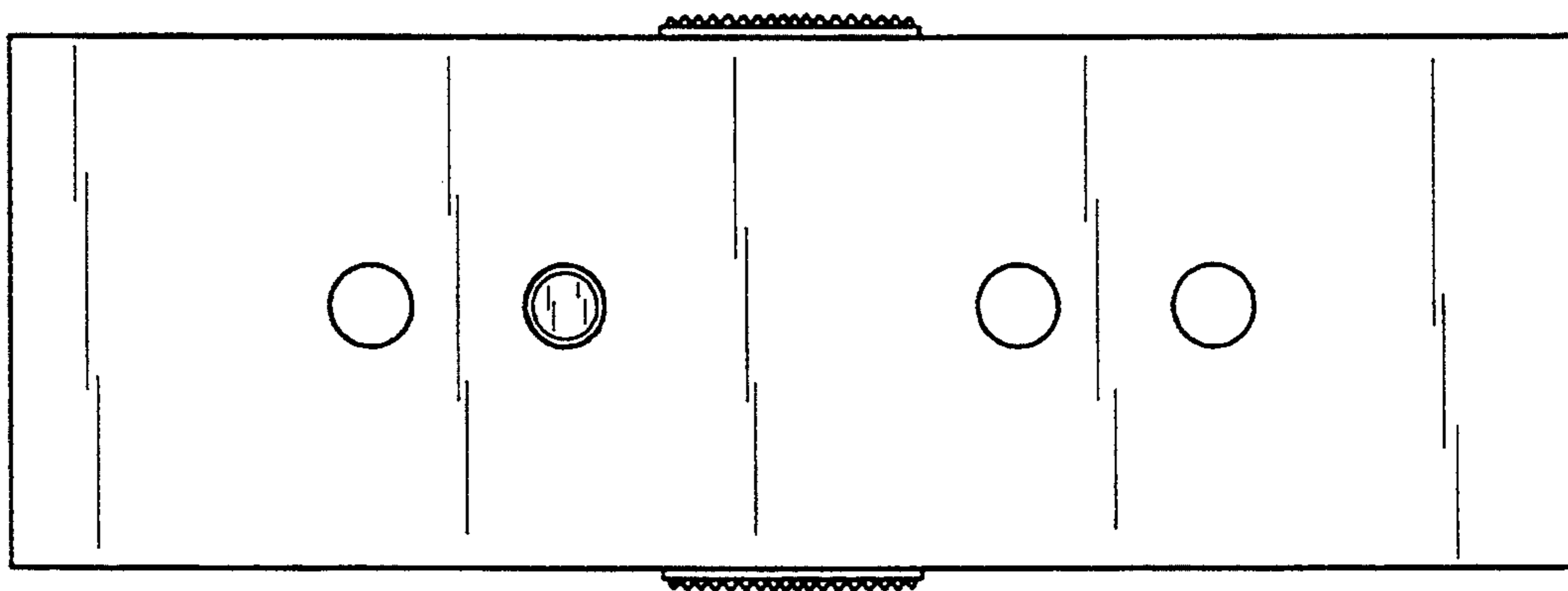


FIG. 4



FIG. 5



FIG. 6

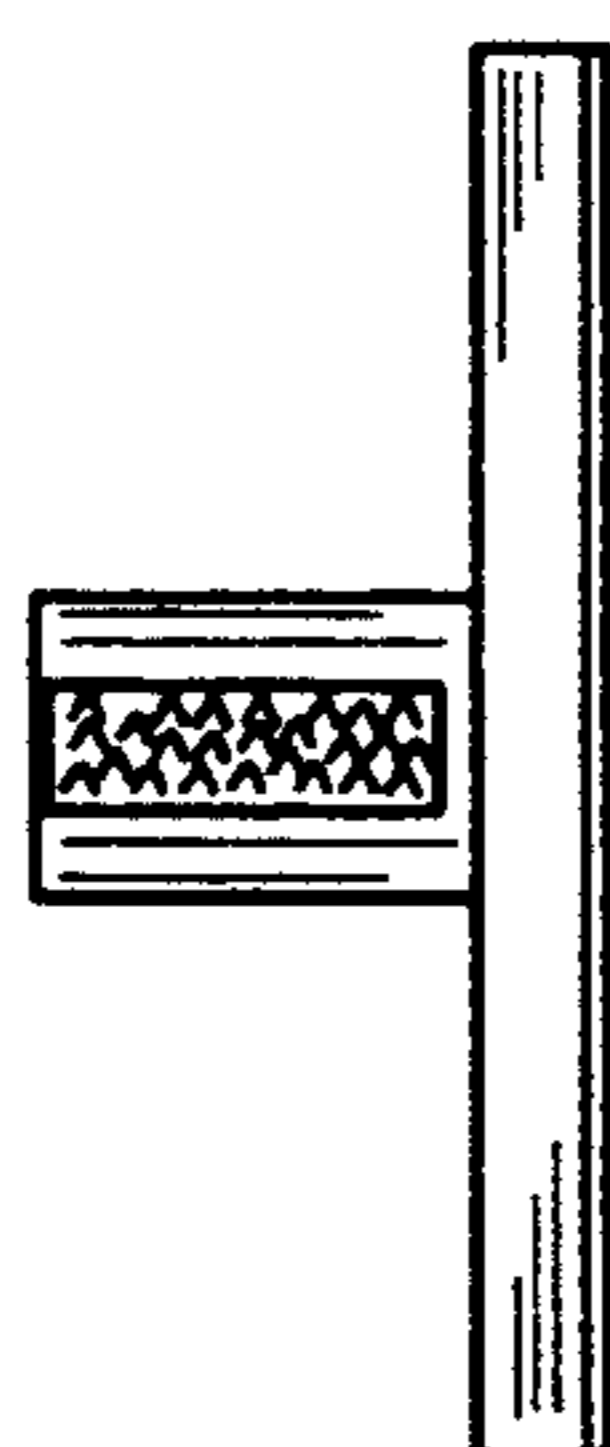


FIG. 7

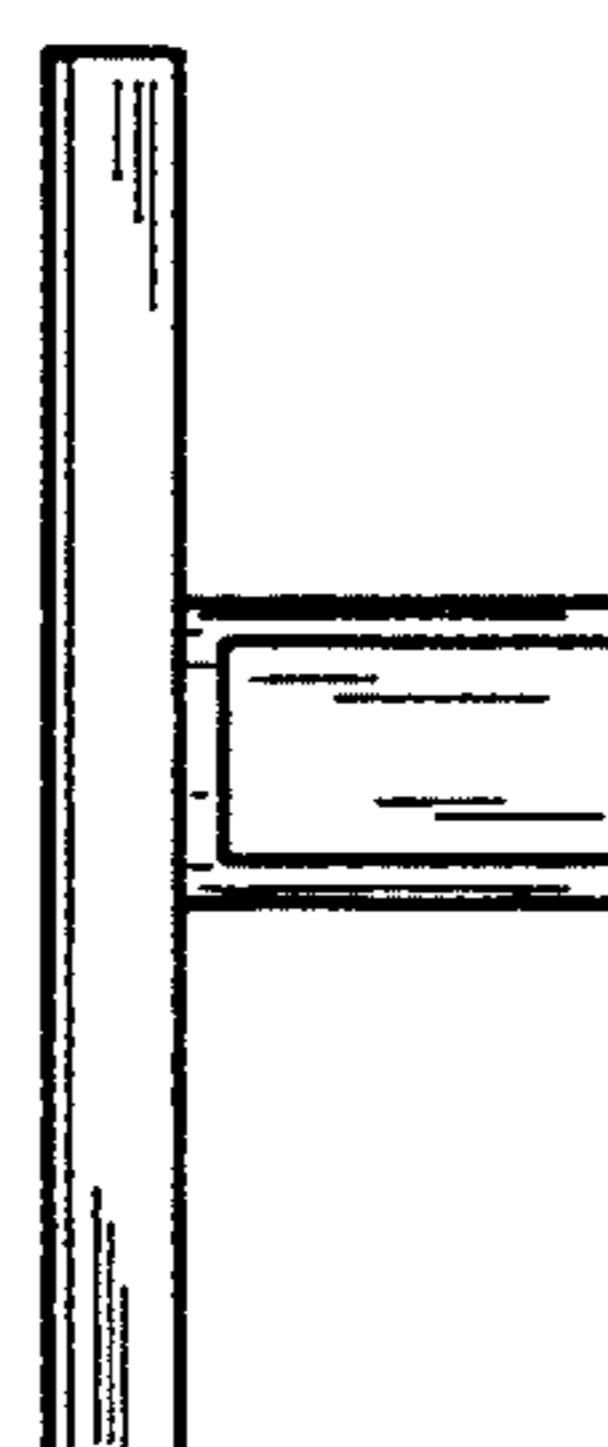


FIG. 8