



US00D349986S

# United States Patent [19]

[11] Patent Number: **Des. 349,986**

**Correa**

[45] Date of Patent: **\*\* Aug. 23, 1994**

[54] **ELECTRIC IRON**

[75] Inventor: **Alvaro Correa**, Cheshire, Conn.

[73] Assignee: **Black & Decker Inc.**, Newark, Del.

[\*\*] Term: **14 Years**

[21] Appl. No.: **866,914**

[22] Filed: **Apr. 10, 1992**

[52] U.S. Cl. .... **D32/70**

[58] Field of Search ..... 38/74, 77.1, 77.4, 77.8, 38/77.83, 77.9, 82, 85, 90-93; 219/245, 248, 258; D32/17, 68-72

2,786,286 3/1957 Brace ..... 38/77.83  
 4,893,422 1/1990 Mahlich et al. .... 38/77.8 X  
 5,120,934 6/1992 Nakada et al. .... 38/82 X

*Primary Examiner*—Wallace R. Burke  
*Assistant Examiner*—Lavone D. Tabor  
*Attorney, Agent, or Firm*—Barry E. Deutsch

### [57] CLAIM

The ornamental design for an electric iron, as shown and described.

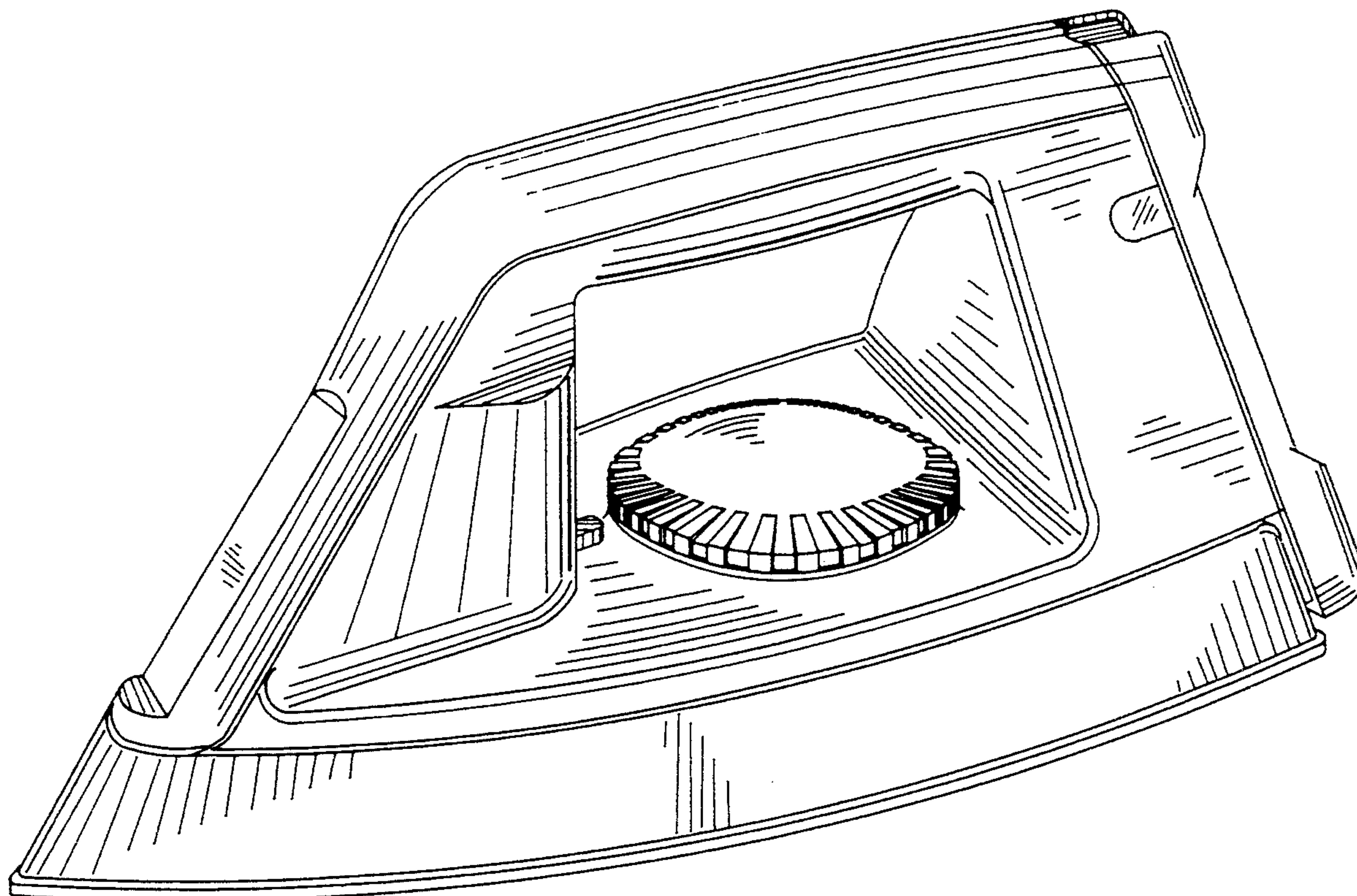
### DESCRIPTION

FIG. 1 is a perspective view of an electric iron showing my new design;  
 FIG. 2 is a top plan view thereof;  
 FIG. 3 is a right side elevational view thereof;  
 FIG. 4 is a front elevational view thereof;  
 FIG. 5 is a rear elevational view thereof;  
 FIG. 6 is a bottom plan view thereof; and,  
 FIG. 7 is a left side elevational view thereof.

[56] **References Cited**

**U.S. PATENT DOCUMENTS**

D. 286,216	10/1986	Pataki	.....	D32/70
D. 291,617	8/1987	Stutzer	.....	D32/70
D. 326,547	5/1992	Osit	.....	D32/70
D. 326,940	6/1992	Barrault	.....	D32/70



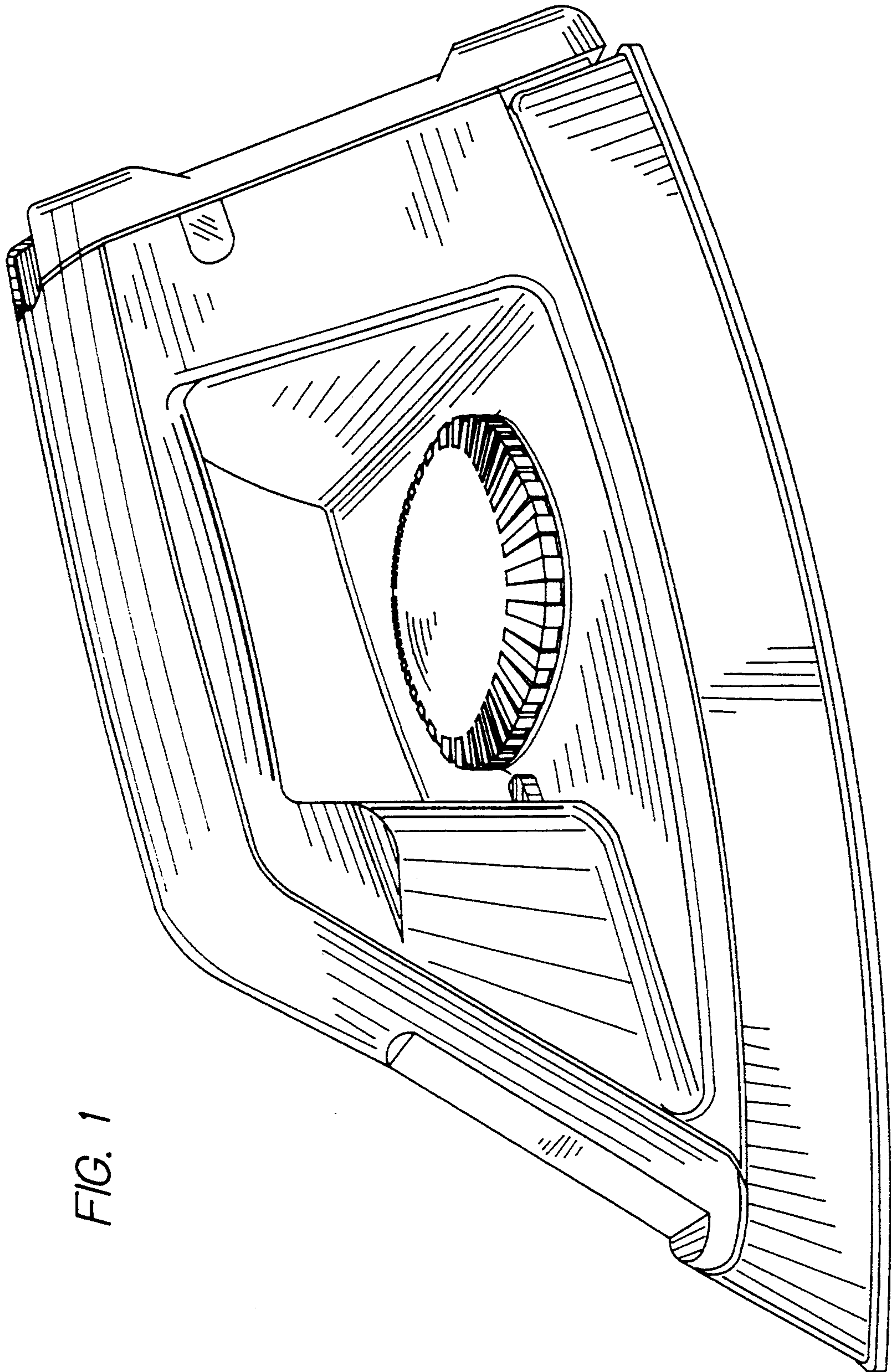


FIG. 1



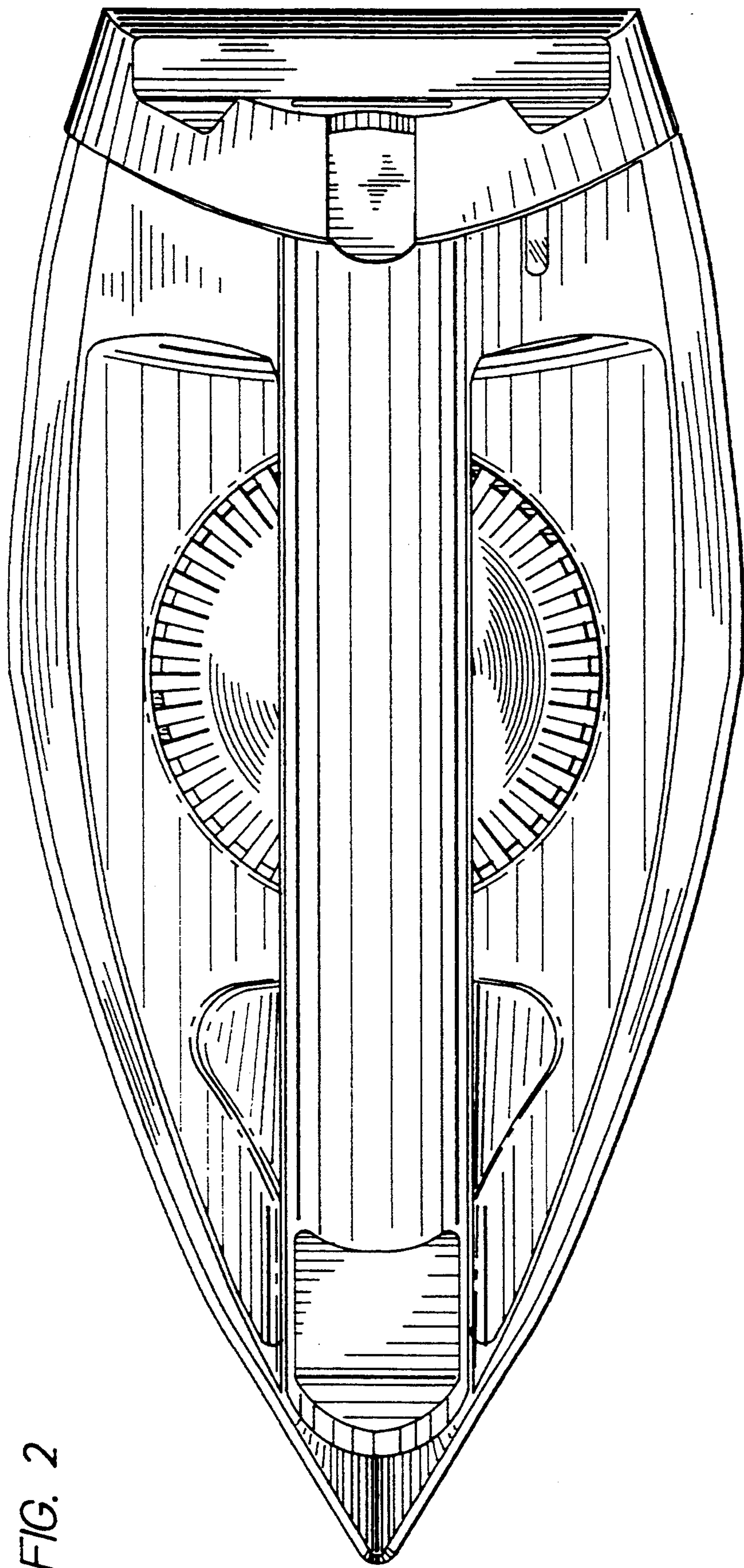


FIG. 2

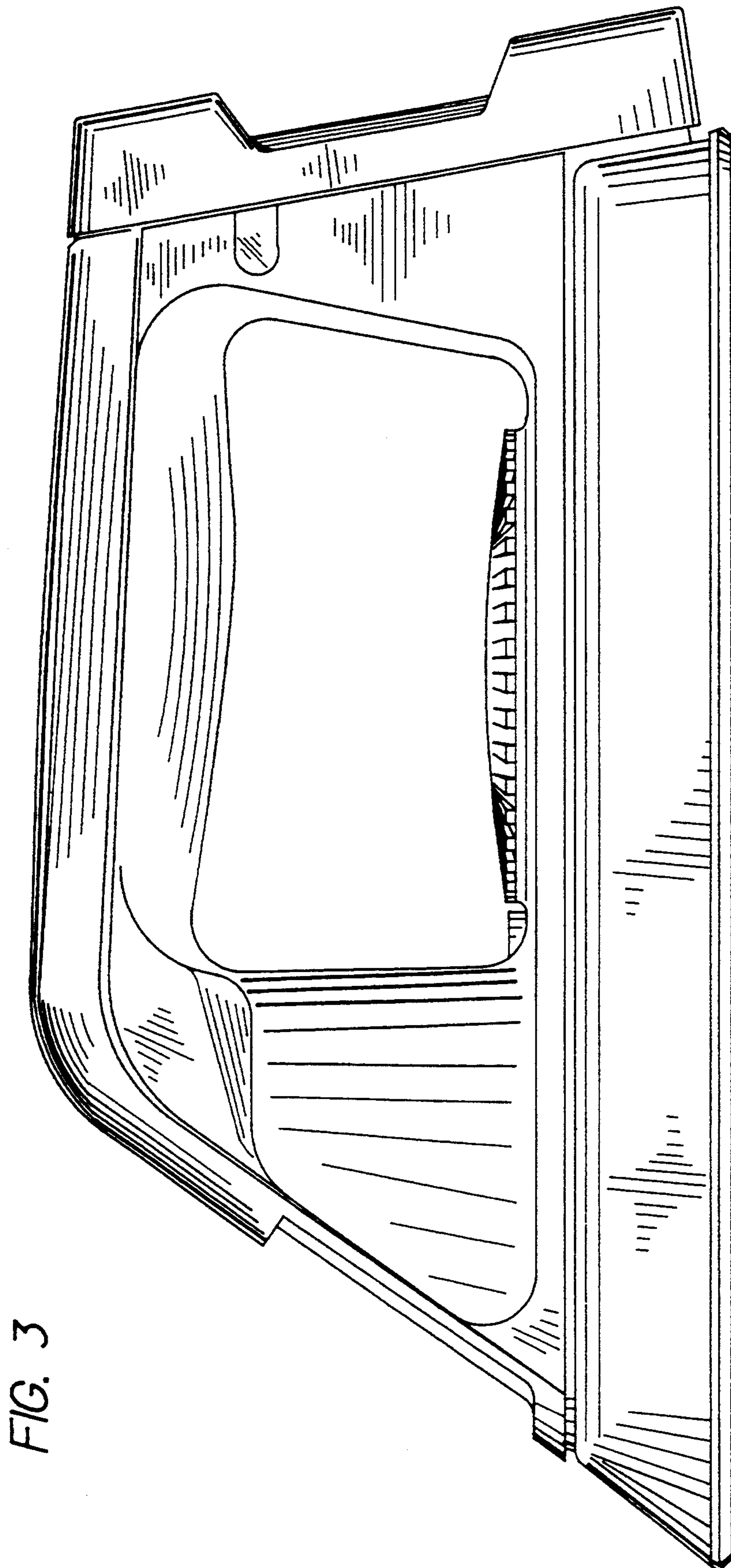


FIG. 3

FIG. 4

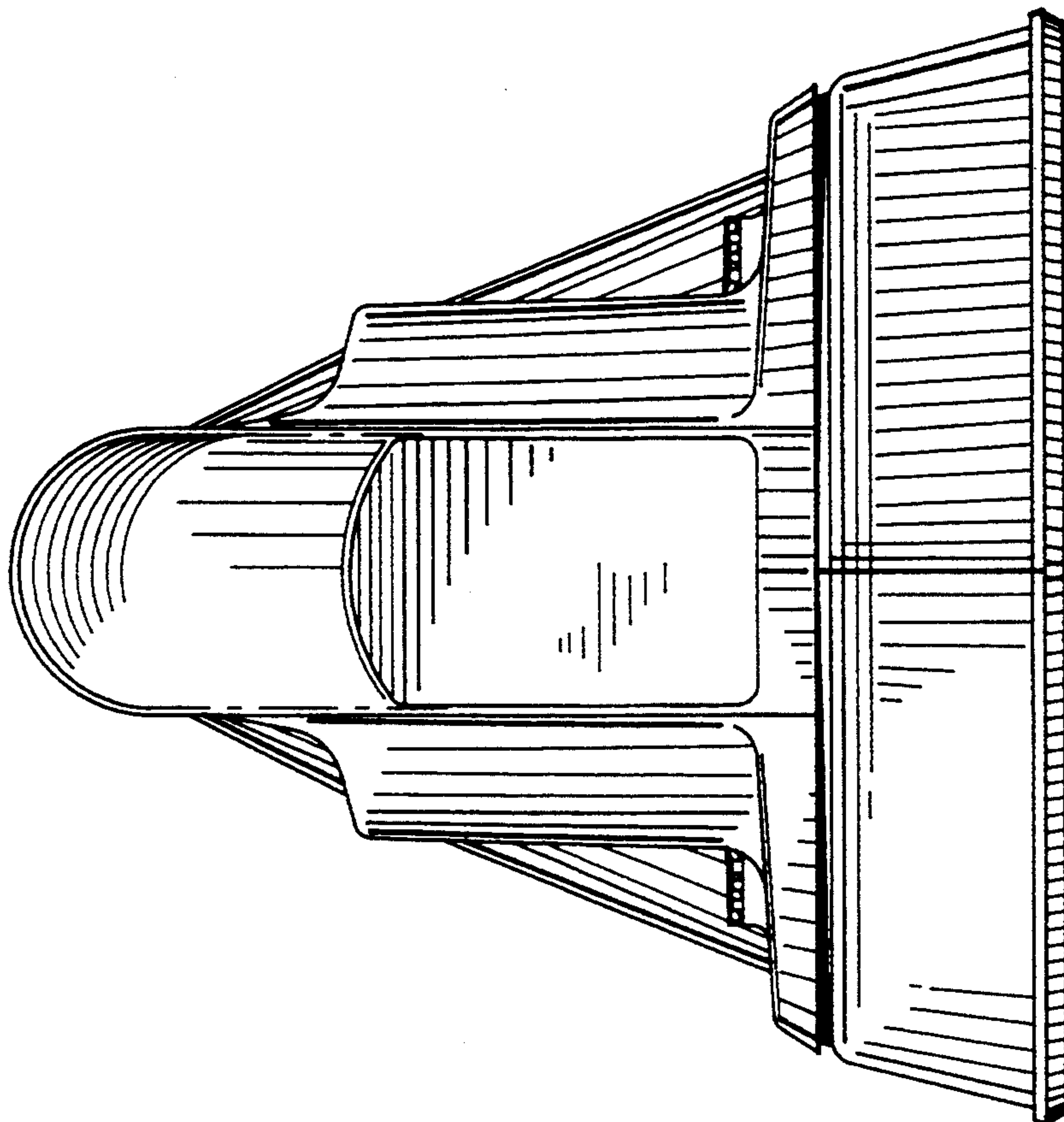
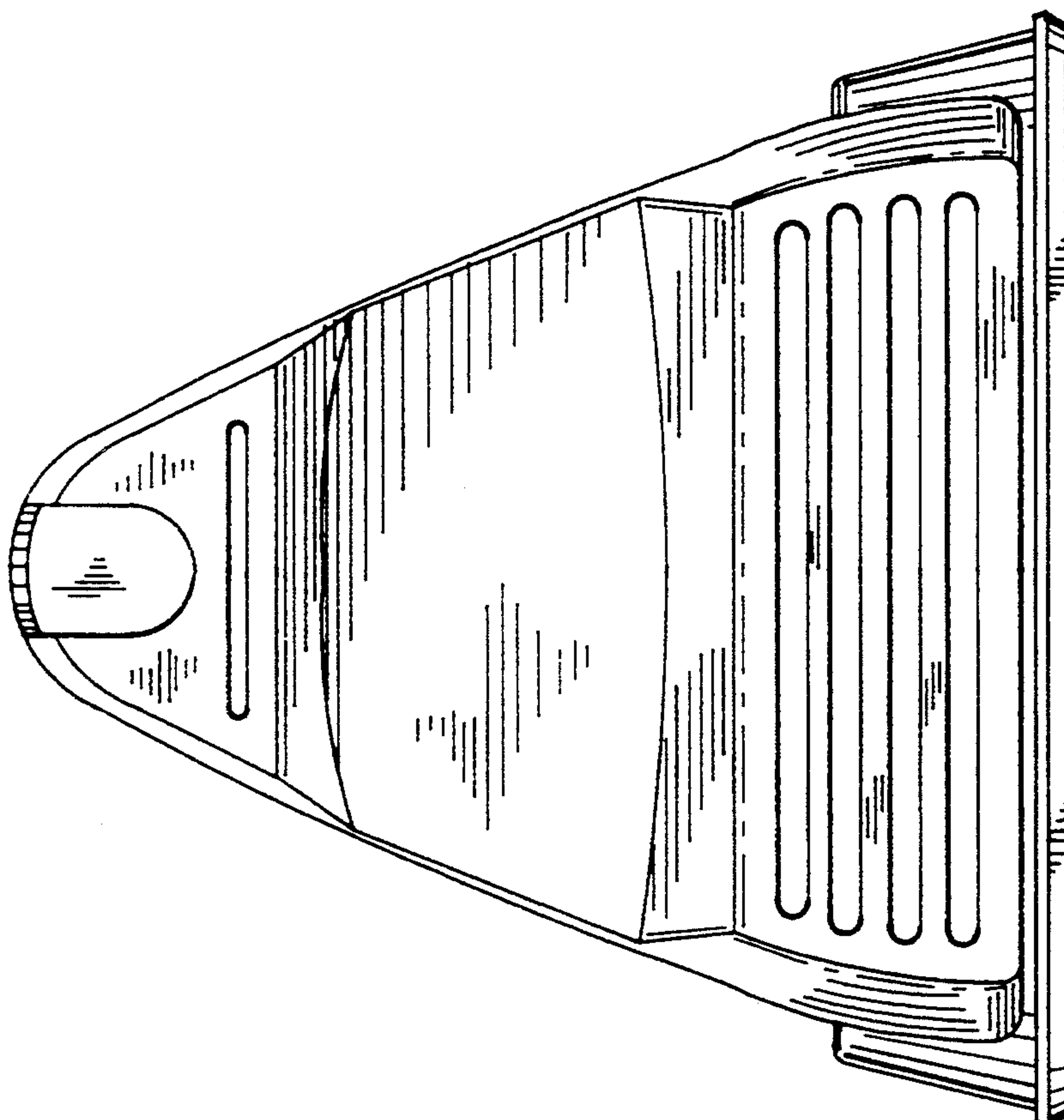


FIG. 5



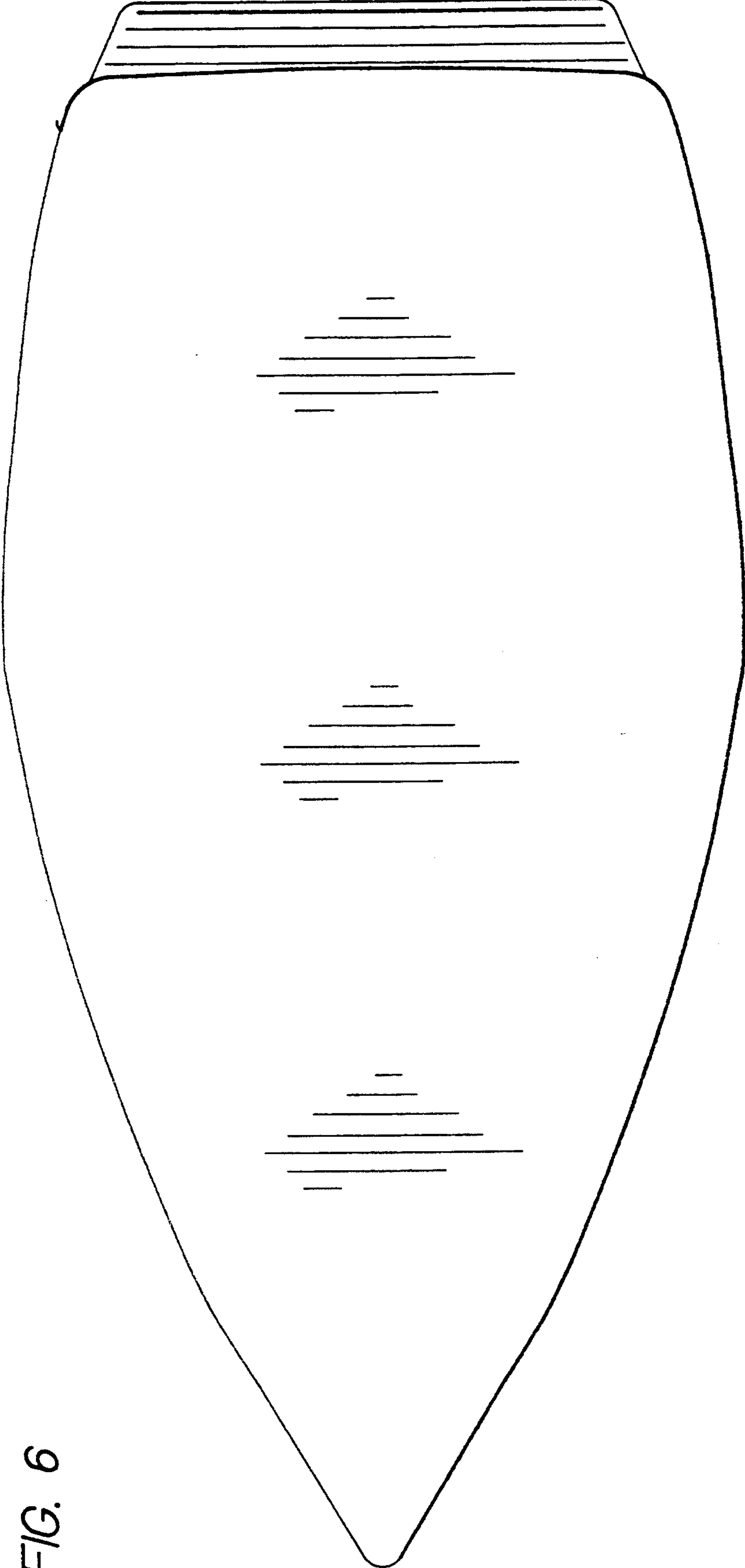


FIG. 6



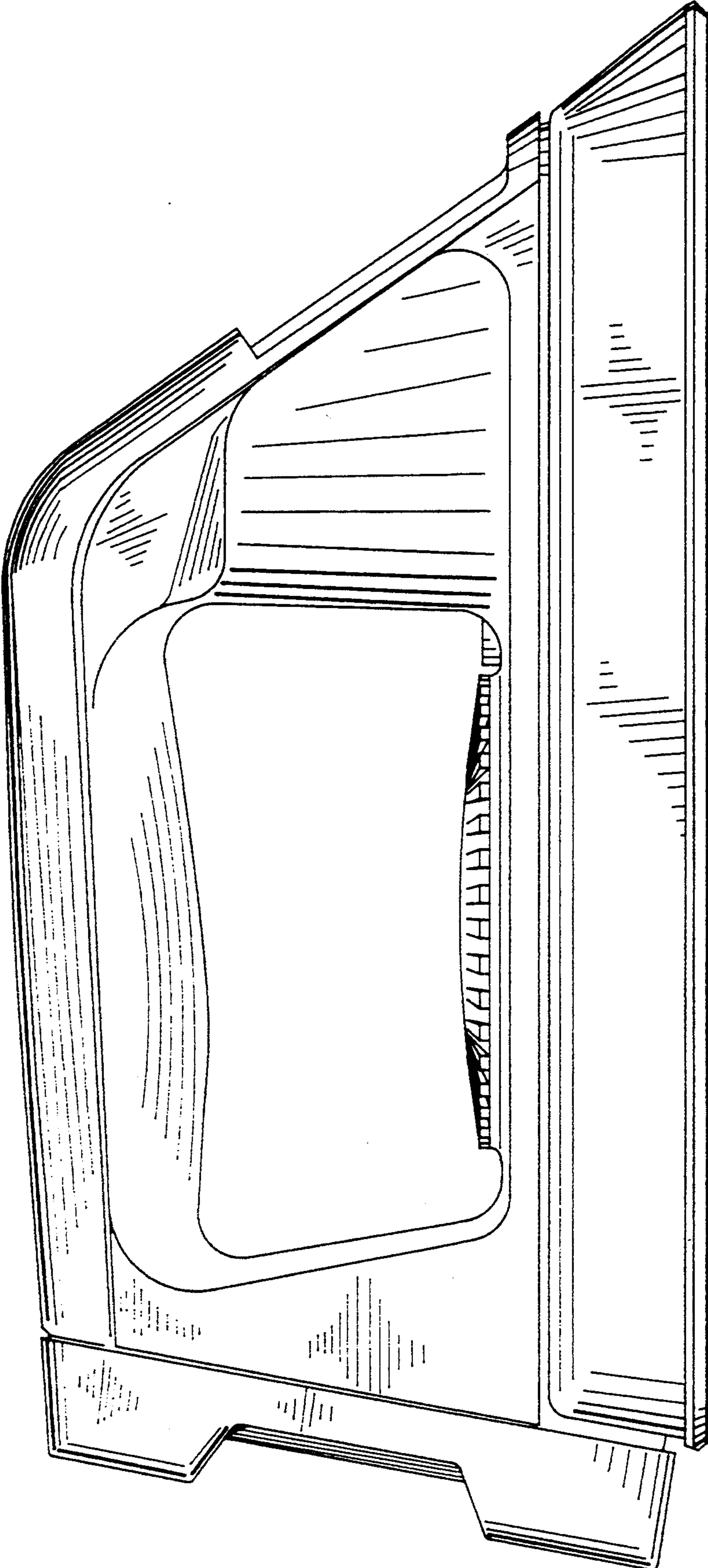


FIG. 7