



US00D349983S

United States Patent [19]

[11] Patent Number: **Des. 349,983**

Tuggle et al.

[45] Date of Patent: **** Aug. 23, 1994**

[54] **CORDLESS LEAF BLOWER**

5,222,275 6/1993 Baker et al. 15/329

[75] Inventors: **Lloyd H. Tuggle; Jerry E. Stuart,**
both of Shreveport, La.

[73] Assignee: **WCI Outdoor Products, Inc.,**
Cleveland, Ohio

[**] Term: **14 Years**

[21] Appl. No.: **928,975**

[22] Filed: **Aug. 12, 1992**

[52] U.S. Cl. **D32/15**

[58] Field of Search 15/316.1-318.1,
15/344, 345, 405; 239/DIG. 13, DIG. 19, DIG.
21, 22; D32/15, 17, 21, 25

[56] **References Cited**

U.S. PATENT DOCUMENTS

Re. 33,050	9/1989	Tuggle et al.	15/330
D. 297,870	9/1988	Kiyooka et al.	D32/15
D. 299,074	12/1988	Tuggle et al.	D32/15
D. 299,570	1/1989	Kiyooka et al.	D32/15
D. 299,571	1/1989	Kiyooka et al.	D32/15
D. 304,510	11/1989	Baker et al.	D32/15
D. 310,437	9/1990	Greike et al.	D32/15
D. 322,971	1/1992	Tuggle et al.	D15/13
D. 324,051	2/1992	Tuggle et al.	D15/1
4,288,886	9/1981	Siegler	15/330
4,461,055	7/1984	Zerrer et al.	15/344
4,674,146	6/1987	Tuggle et al.	15/330
4,860,451	8/1989	Pilatowicz et al.	30/276
5,035,586	7/1991	Sadler et al.	417/363

OTHER PUBLICATIONS

Weed Eater 1986 Cat., p. 8, "Model 940 & Model 960".
The Toro Company, Home Improvement Division,
Product Literature and Product Specifications for
Cordless Power™ 250 Yard Blower, 1991.

Primary Examiner—Ruth McInroy
Attorney, Agent, or Firm—Marc A. Hubbard

[57] **CLAIM**

The ornamental design for a cordless leaf blower head,
as shown and described.

DESCRIPTION

FIG. 1 is a perspective view of a cordless blower head
showing the new design;

FIG. 2 is a right side elevational view of the cordless
blower head;

FIG. 3 is front elevational view of the cordless blower
head;

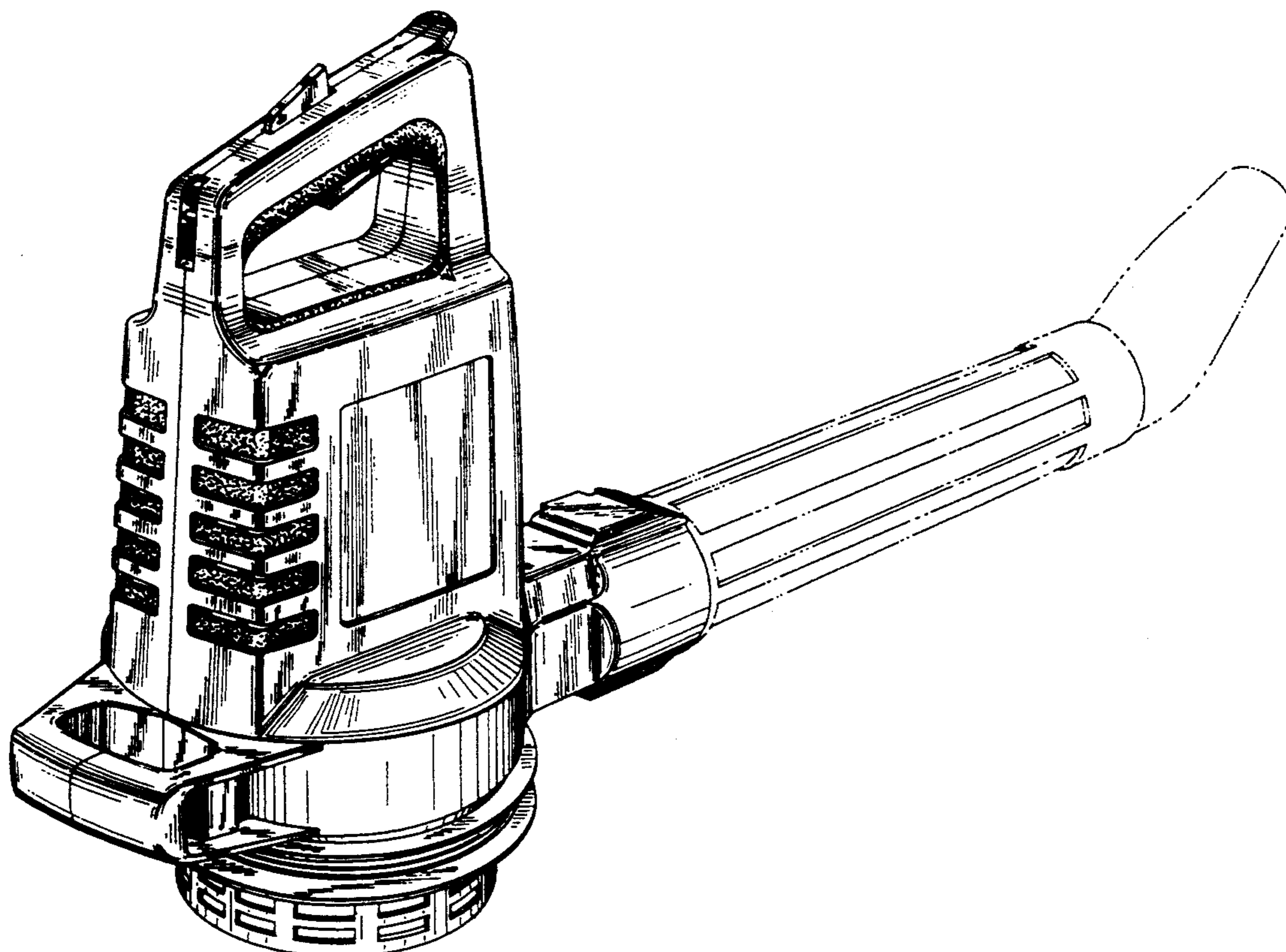
FIG. 4 is a left side elevational view of the cordless
blower head;

FIG. 5 is a rear elevational view of the cordless blower
head;

FIG. 6 is a top elevational view of the cordless blower
head; and,

FIG. 7 is a bottom elevational view of the cordless
blower head.

The blower tube shown by broken lines of FIG. 1 is for
illustrative purposes only and forms no part of the
claimed design.



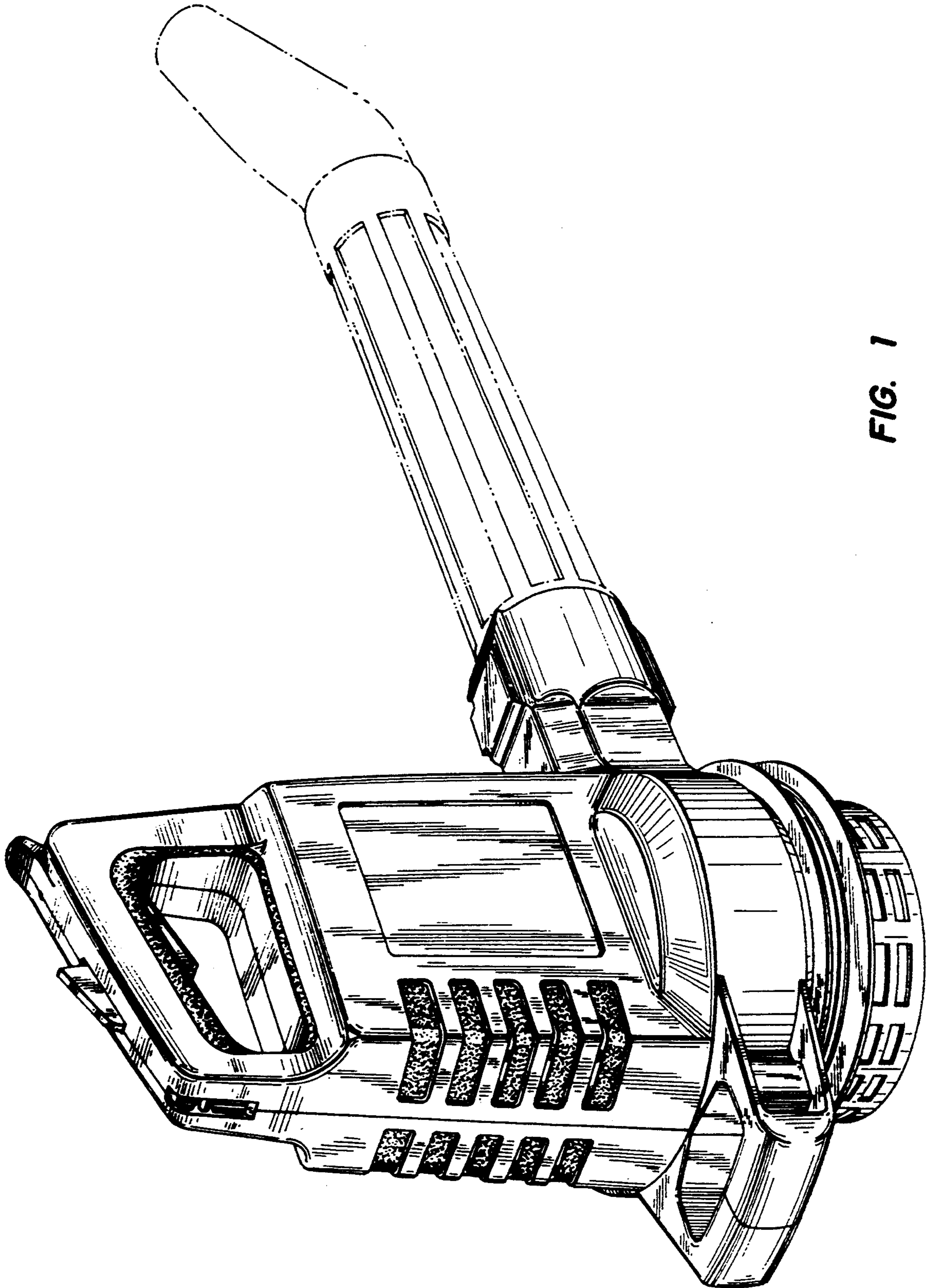


FIG. 1

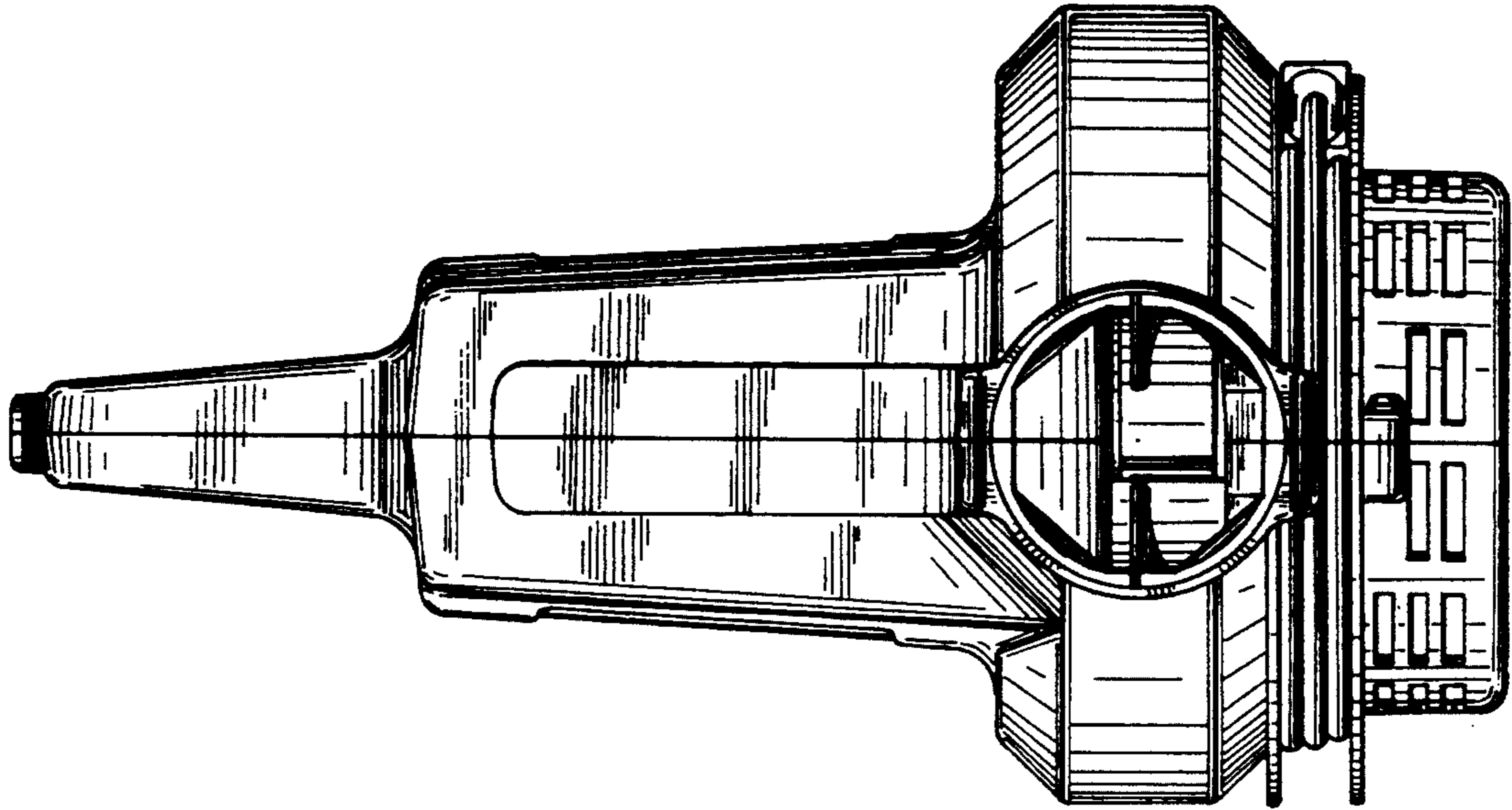


FIG. 3

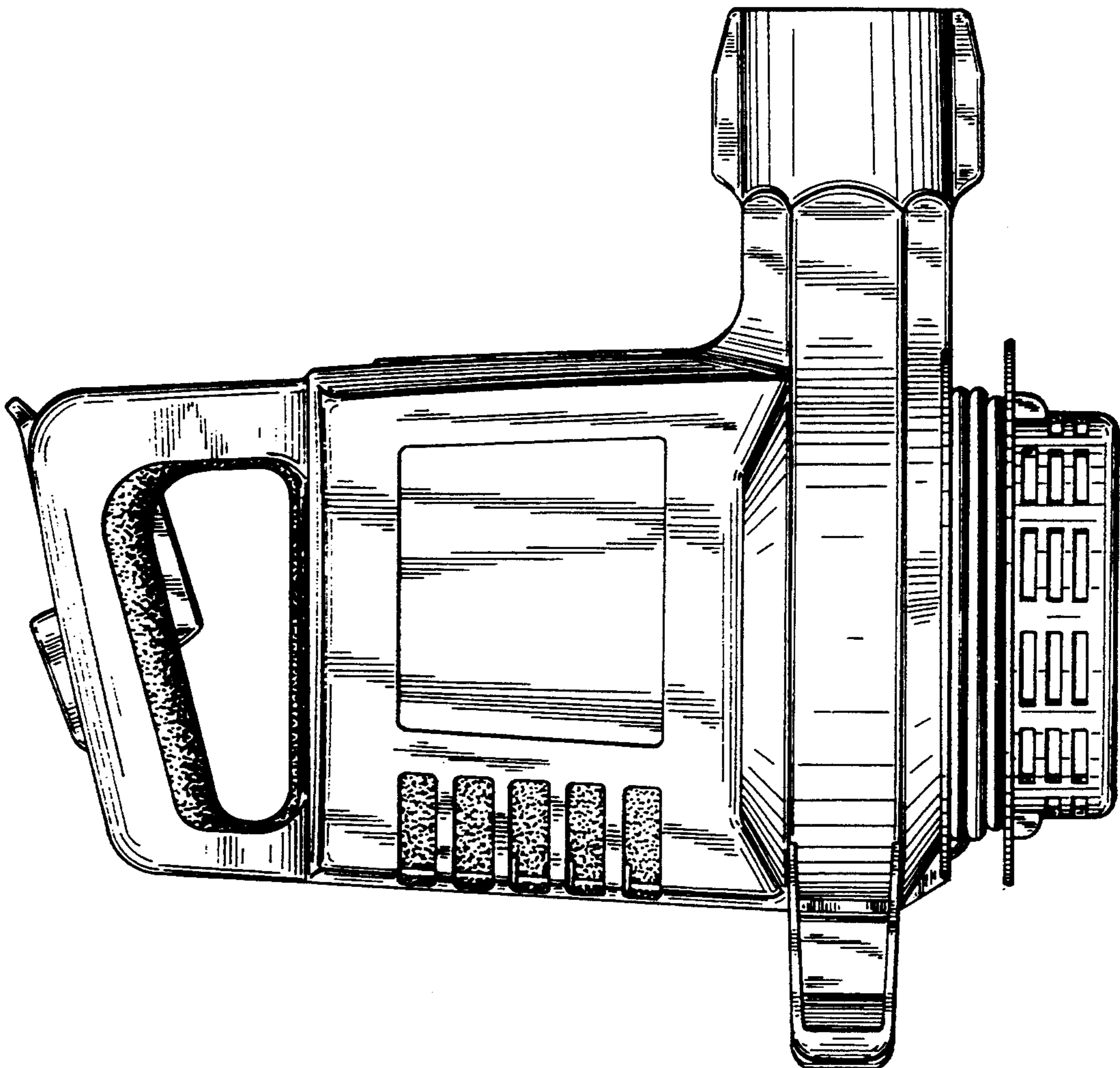


FIG. 2

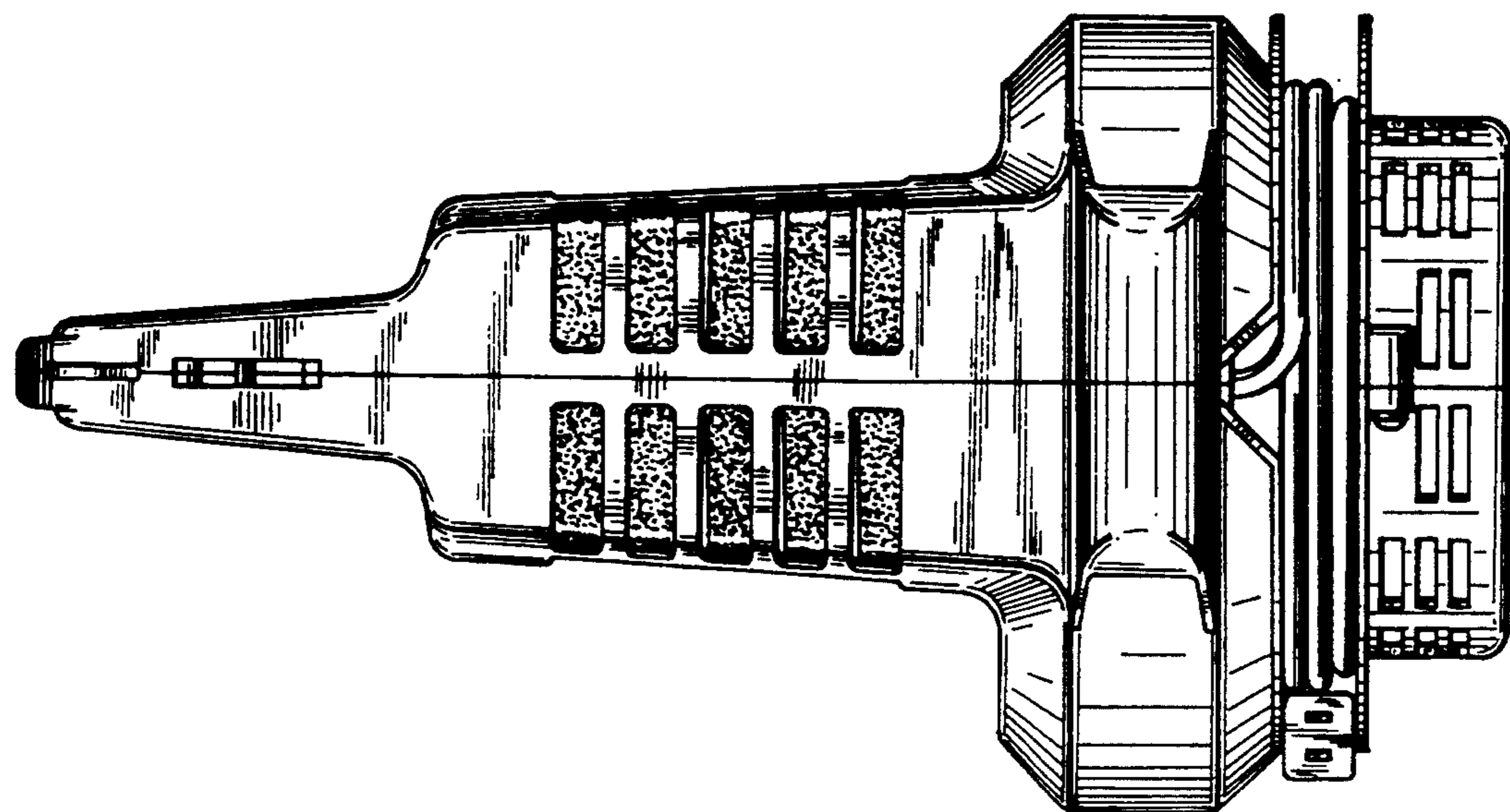


FIG. 5

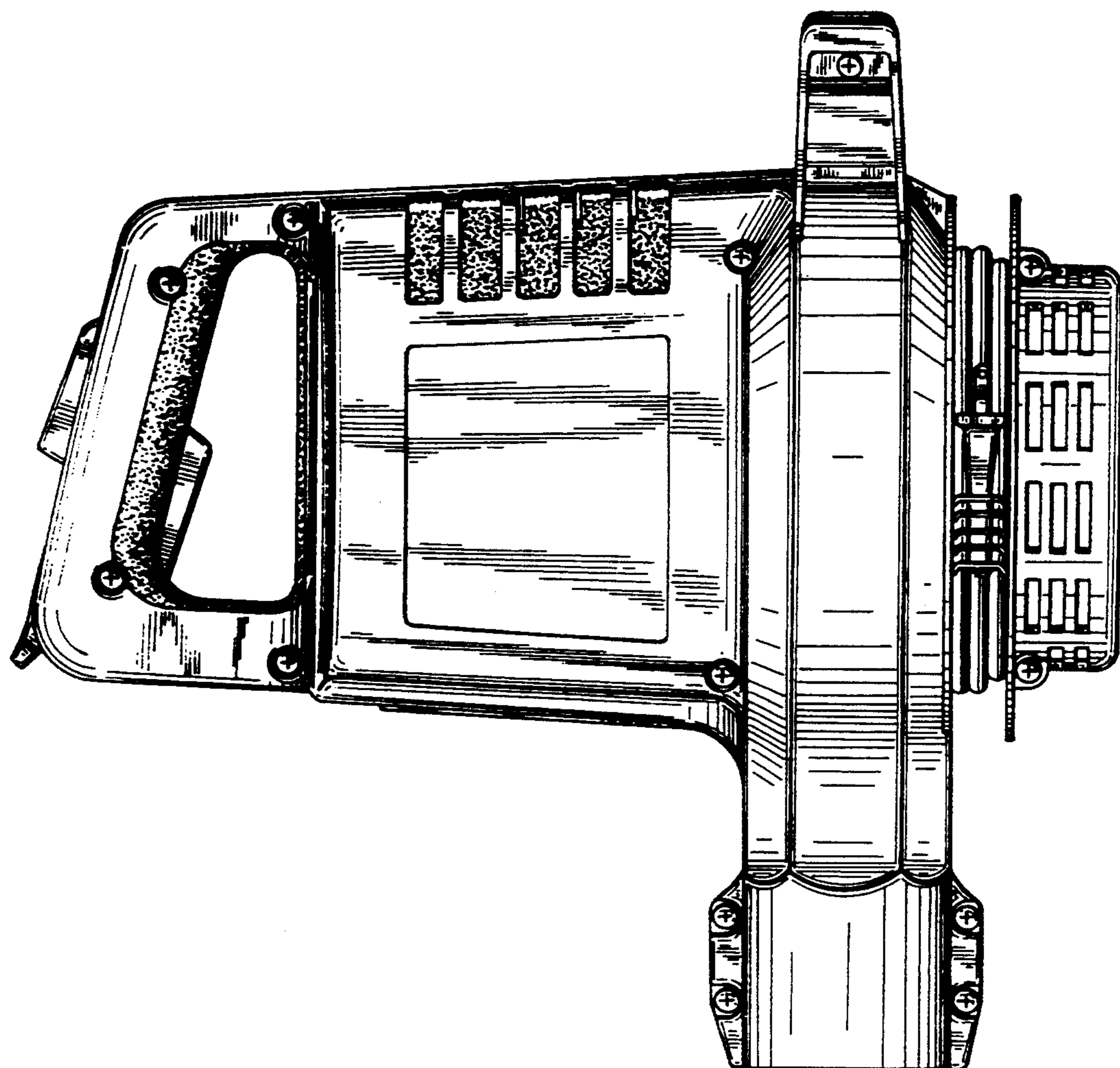


FIG. 4

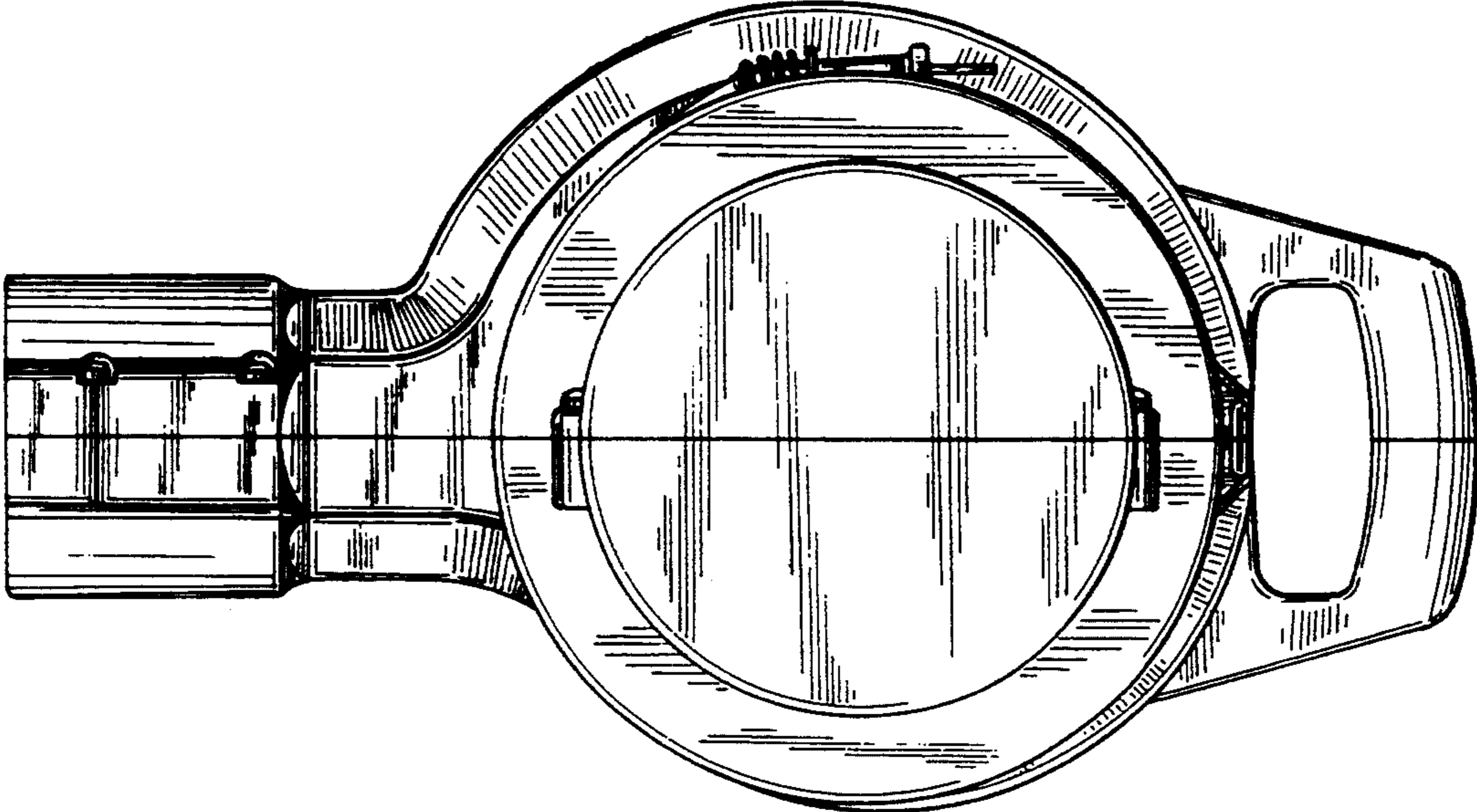


FIG. 7

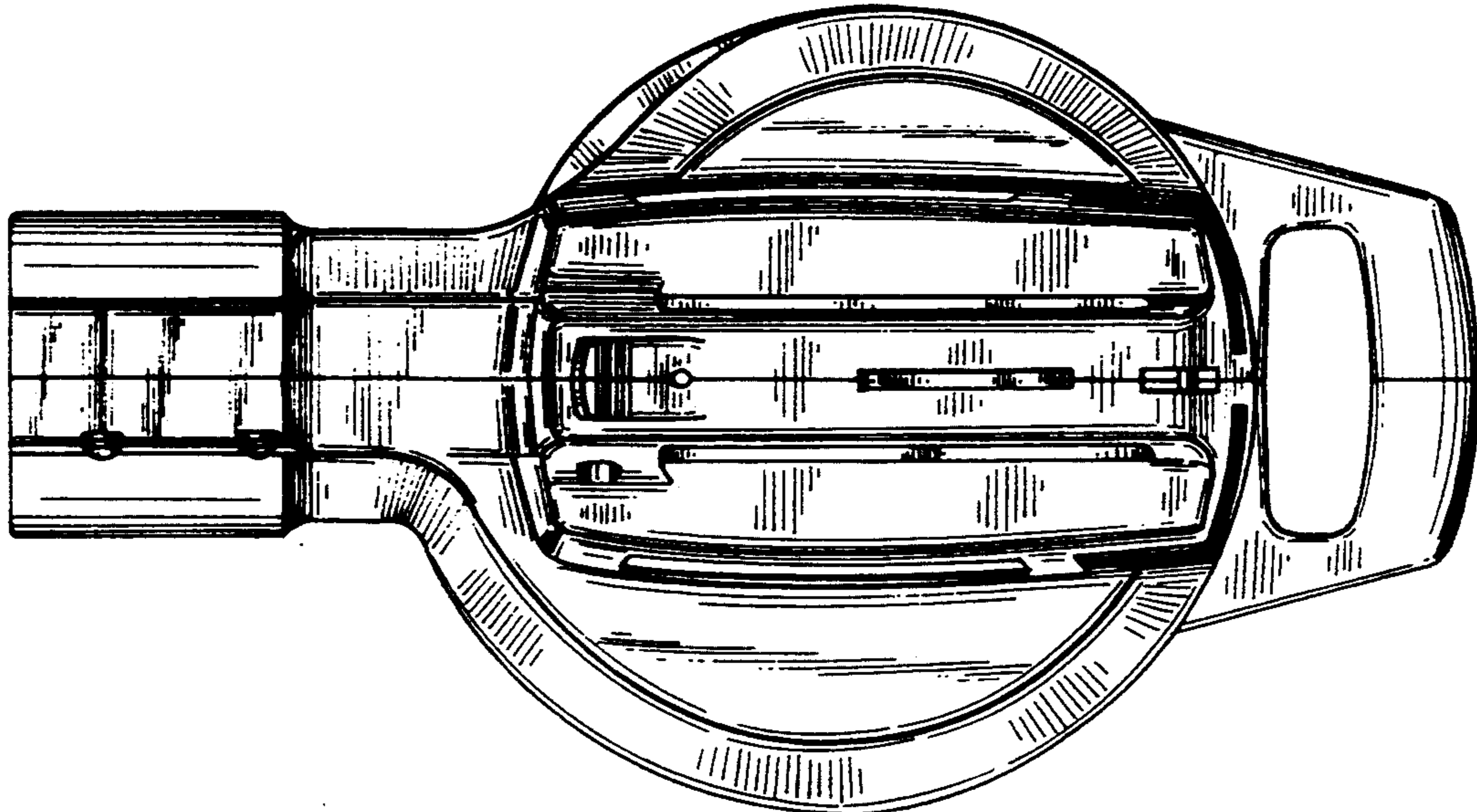


FIG. 6