



US00D349982S

United States Patent [19]

[11] Patent Number: **Des. 349,982**

Hardison

[45] Date of Patent: **** Aug. 23, 1994**

[54] **BIRD FEEDER**

[76] Inventor: **Stewart Hardison**, P.O. Box 333,
Bainbridge, N.Y. 13733

[**] Term: **14 Years**

[21] Appl. No.: **11,236**

[22] Filed: **Jul. 30, 1993**

[52] U.S. Cl. **D30/128**

[58] Field of Search 119/52.2-52.3,
119/57.8-57.9, 54, 51.03; D30/124-128, 133

[56] **References Cited**

U.S. PATENT DOCUMENTS

D. 231,369	4/1974	Kilham	119/57.8
D. 251,021	2/1979	Blasbalg	D30/127
D. 269,355	12/1982	Blasbalg	D30/127
3,568,641	3/1971	Kilham	119/57.8
4,188,913	2/1980	Earl et al.	119/57.9
4,259,927	4/1981	Clarke	119/57.9

4,318,364	3/1982	Bescherer	119/57.8
4,829,934	5/1989	Blasbalg	119/57.8
4,996,947	3/1991	Petrides	119/57.9
5,123,380	6/1992	Edwards	119/57.8
5,215,039	6/1993	Bescherer	119/57.8

FOREIGN PATENT DOCUMENTS

296944	5/1954	Switzerland	119/52.2
--------	--------	-------------	----------

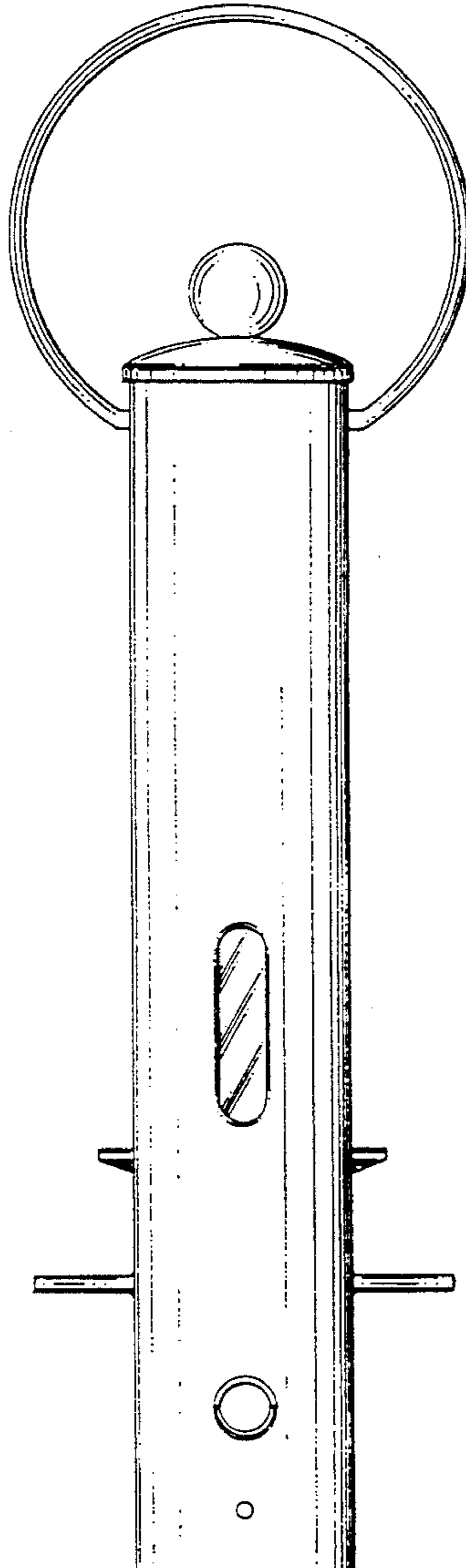
Primary Examiner—Cathy Anne MacCormac
Attorney, Agent, or Firm—Richard G. Stephens

[57] **CLAIM**

The ornamental design for a bird feeder, as shown.

DESCRIPTION

FIG. 1 is a front or rear elevation view of a bird feeder showing my new design;
FIG. 2 is a top plan view thereof;
FIG. 3 is a bottom view thereof; and,
FIG. 4 is a left side or right side elevation view thereof.



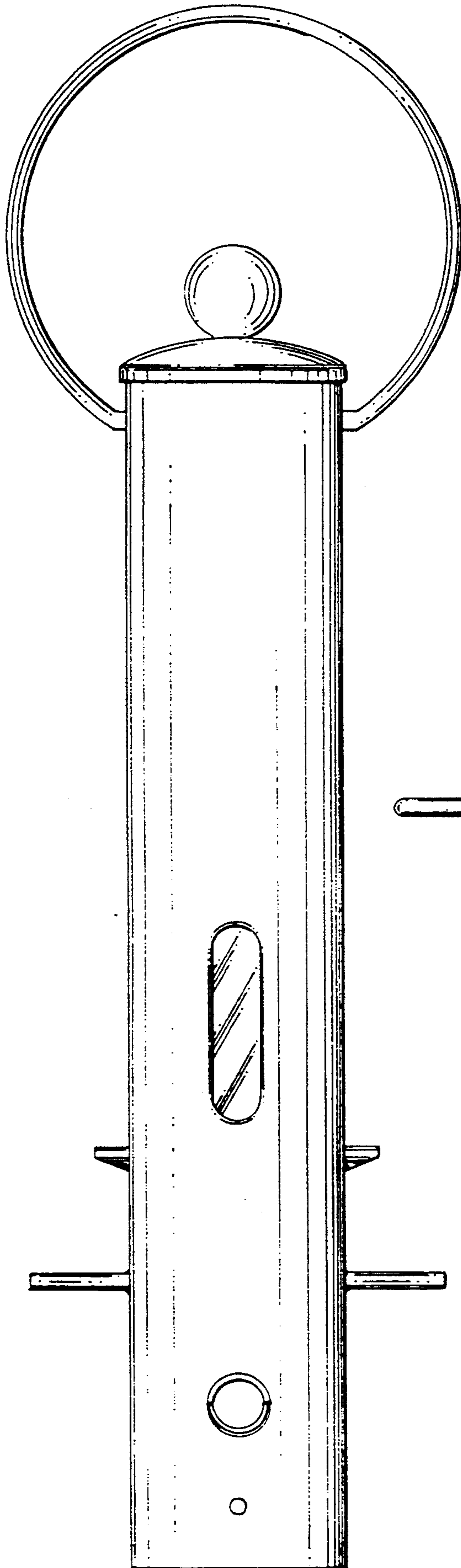


FIG. 1

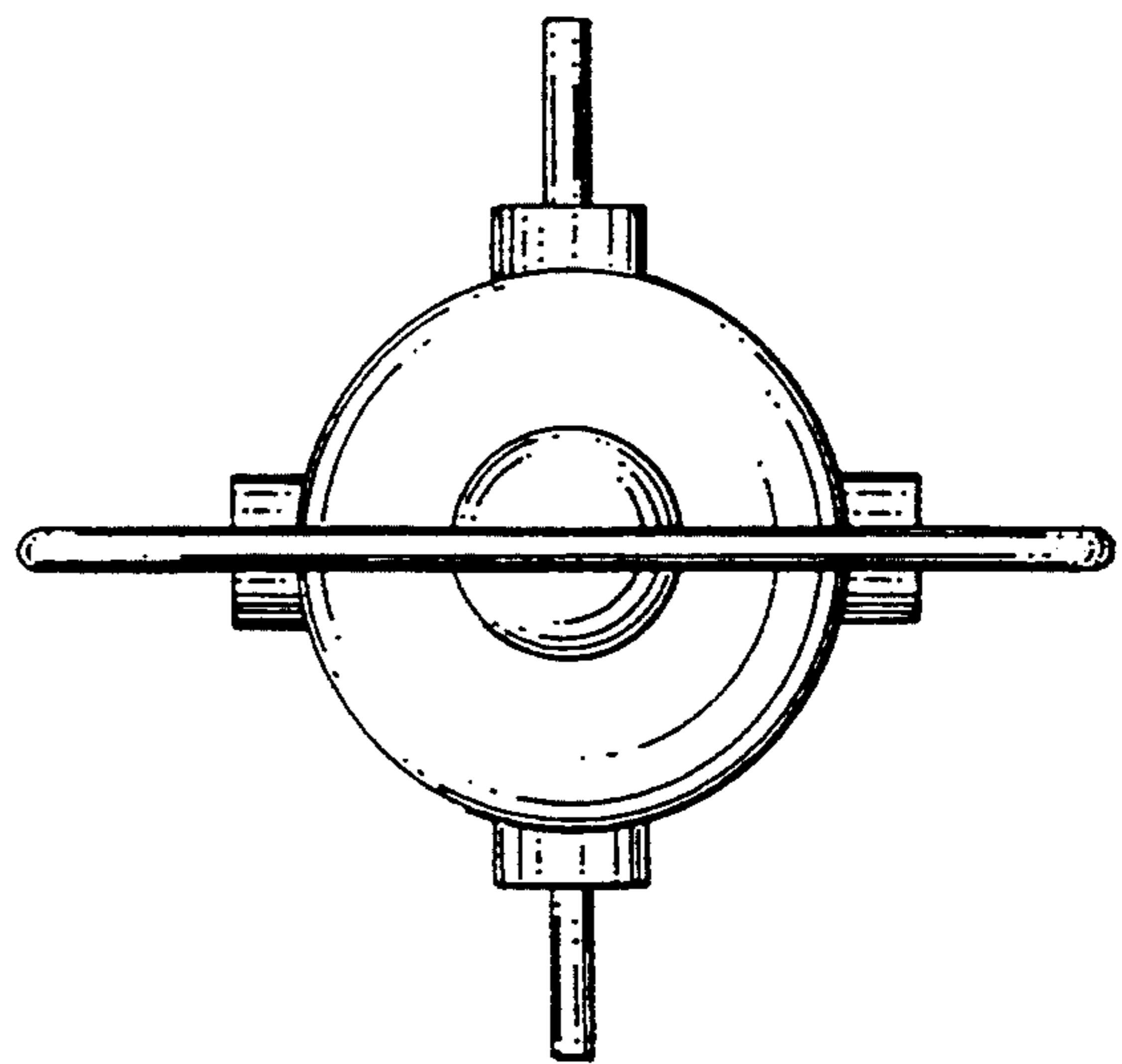


FIG. 2

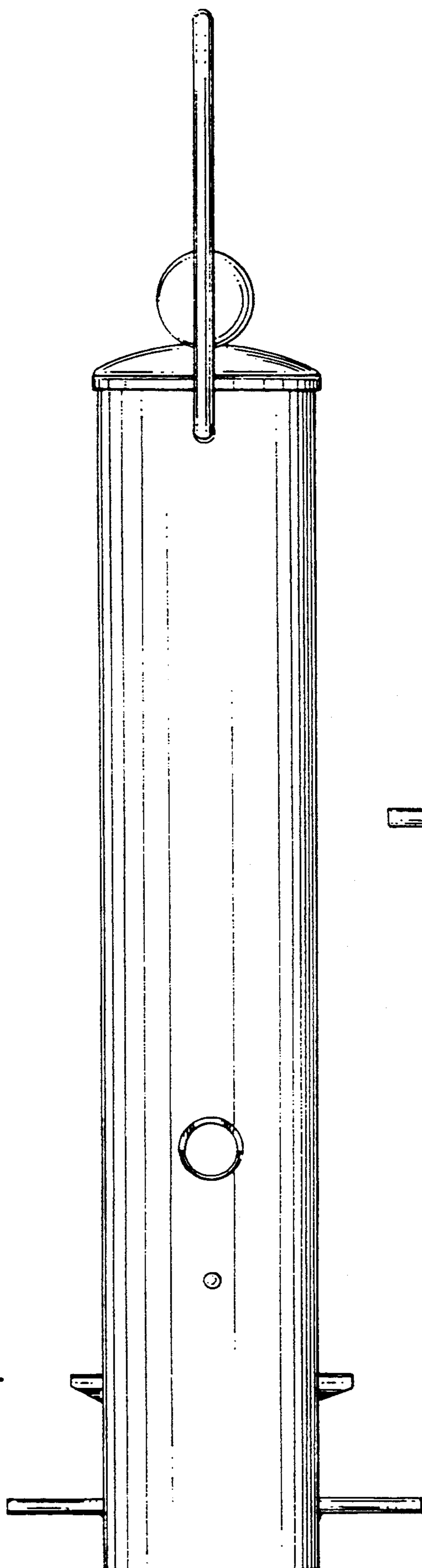


FIG. 4

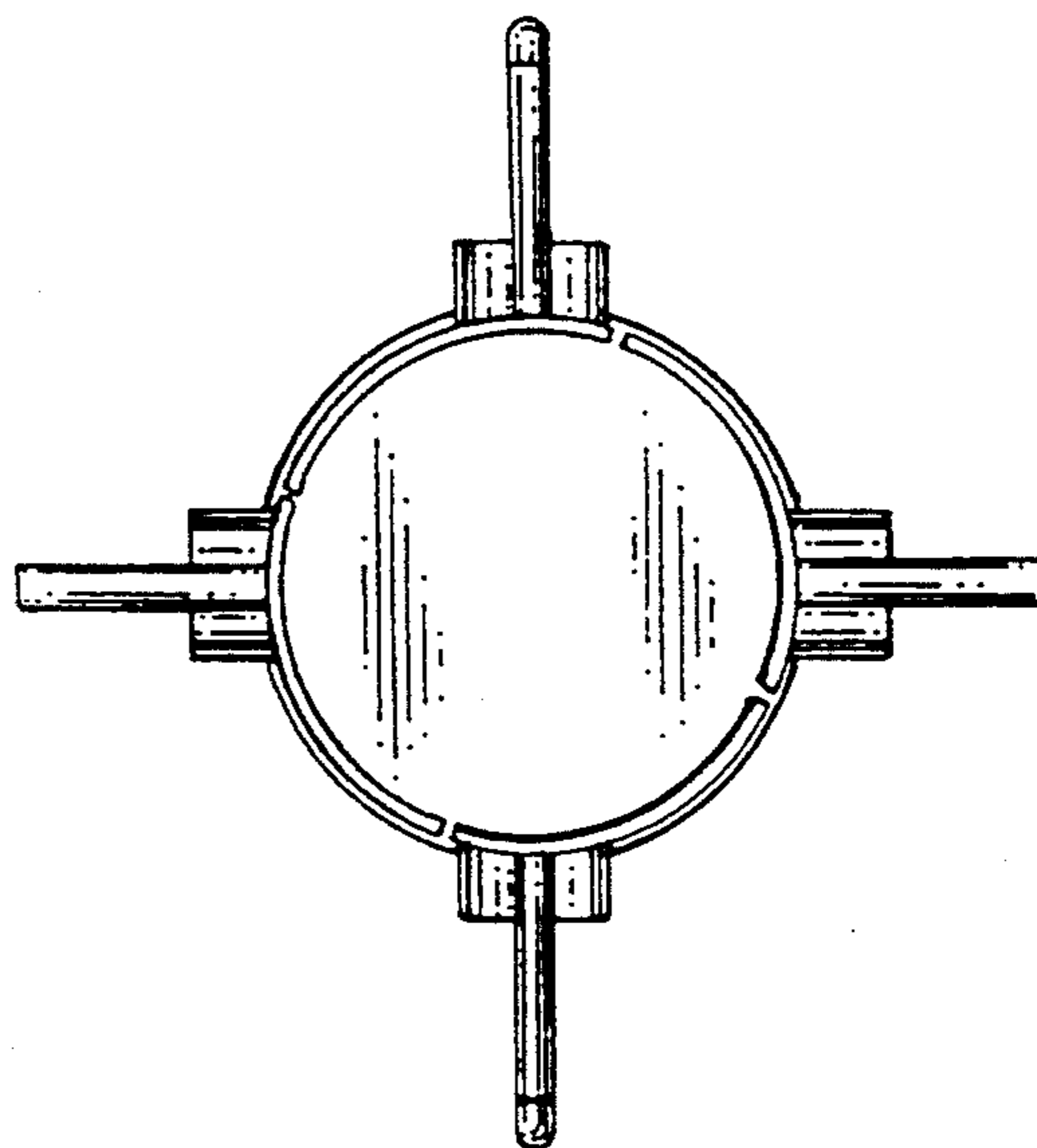


FIG. 3