



US00D349981S

# United States Patent [19]

[11] Patent Number: **Des. 349,981**

**Fasino**

[45] Date of Patent: **\*\* Aug. 23, 1994**

[54] **CLYINDRICAL BIRD FEEDER**

[76] Inventor: **Victor Fasino**, 62 Oneida Ave.,  
Landing, N.J. 07850

[\*\*] Term: **14 Years**

[21] Appl. No.: **3,694**

[22] Filed: **Jan. 14, 1993**

[52] U.S. Cl. .... **D30/127**

[58] Field of Search ..... 119/52.2-52.3,  
119/57.8-57.9, 54, 51.03; D30/124-128, 133

[56] **References Cited**

**U.S. PATENT DOCUMENTS**

D. 301,778	6/1989	Fasino	.....	D30/127
3,051,126	8/1962	Merritt et al.	.....	119/52.3
4,102,308	7/1978	Kilham	.....	119/52.3
4,144,842	3/1979	Schlising	.....	119/52.3
4,896,628	1/1990	Kadunce	.....	119/52.2
5,063,877	11/1991	Riggi	.....	119/52.2
5,086,730	2/1992	Figley	.....	119/52.3
5,150,665	9/1992	Boaz	.....	119/52.3
5,207,180	5/1993	Graham	.....	119/52.3

**FOREIGN PATENT DOCUMENTS**

142224 9/1953 Switzerland ..... 119/52.2

**OTHER PUBLICATIONS**

Houst Beautiful; Mar. 1960; p. 63; Hagerstrom Metalcraft Studio Bird Feeder.

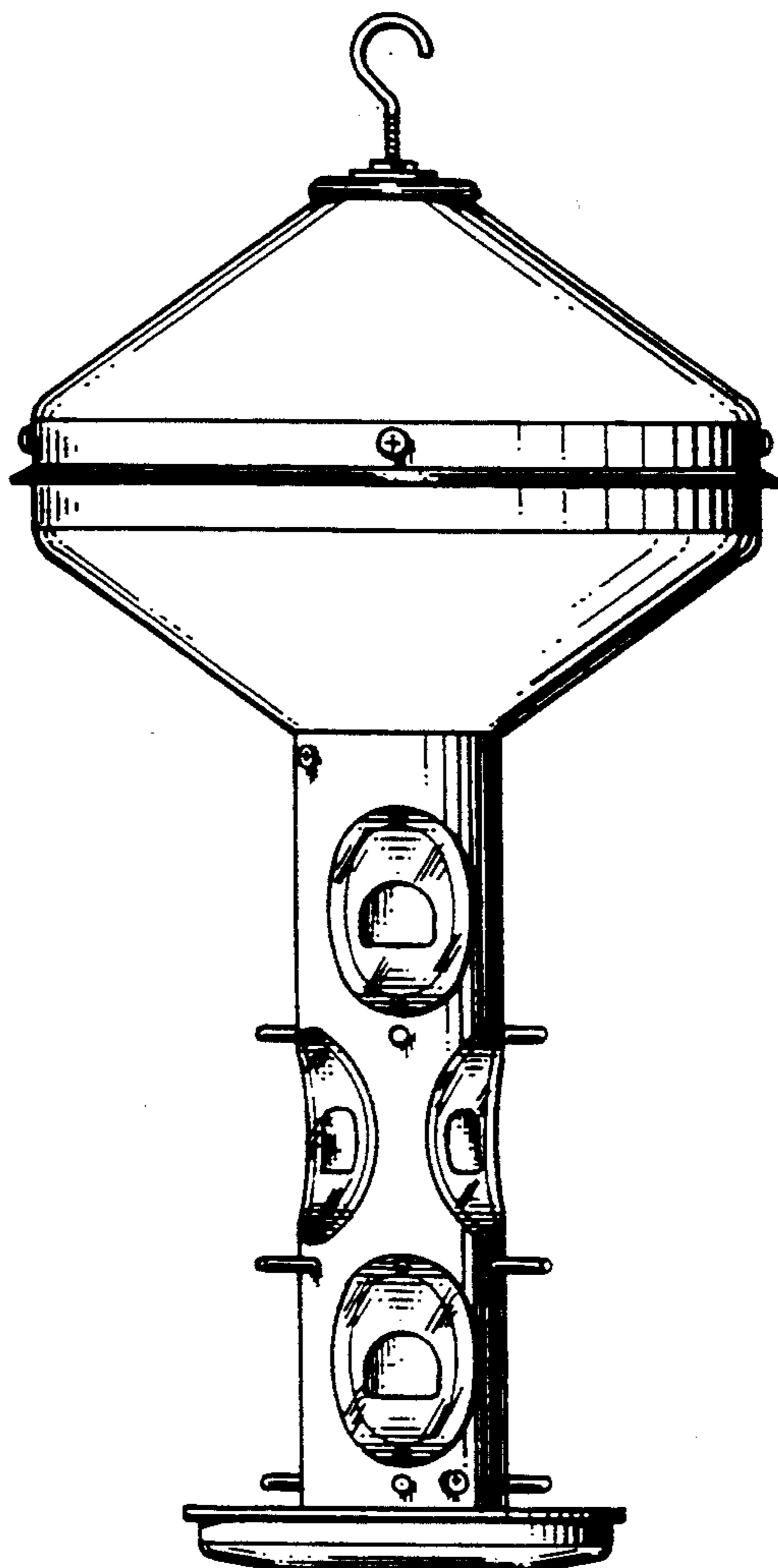
*Primary Examiner*—Cathy Anne MacCormac  
*Attorney, Agent, or Firm*—Bernard J. Murphy

[57] **CLAIM**

The ornamental design for a cylindrical bird feeder, as shown and described.

**DESCRIPTION**

FIG. 1 is a front, elevational view of the cylindrical bird feeder, according to my design thereof;  
 FIG. 2 is a top view thereof;  
 FIG. 3 is a side view thereof, taken from the right-hand side of FIG. 1;  
 FIG. 4 is a bottom view thereof;  
 FIG. 5 is a side view thereof, taken from the left-hand side of FIG. 1; and,  
 FIG. 6 is a rear, elevational view thereof.



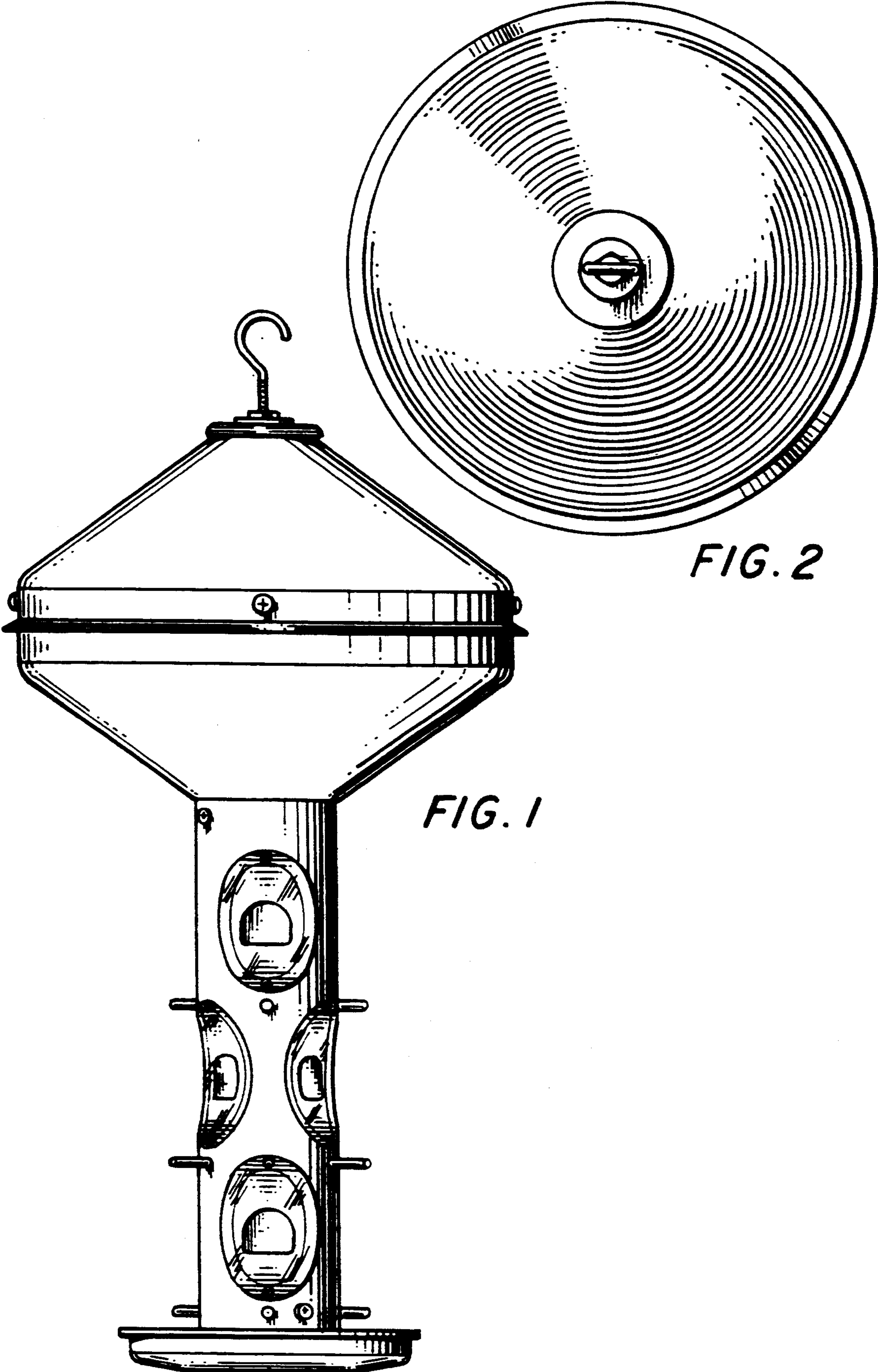
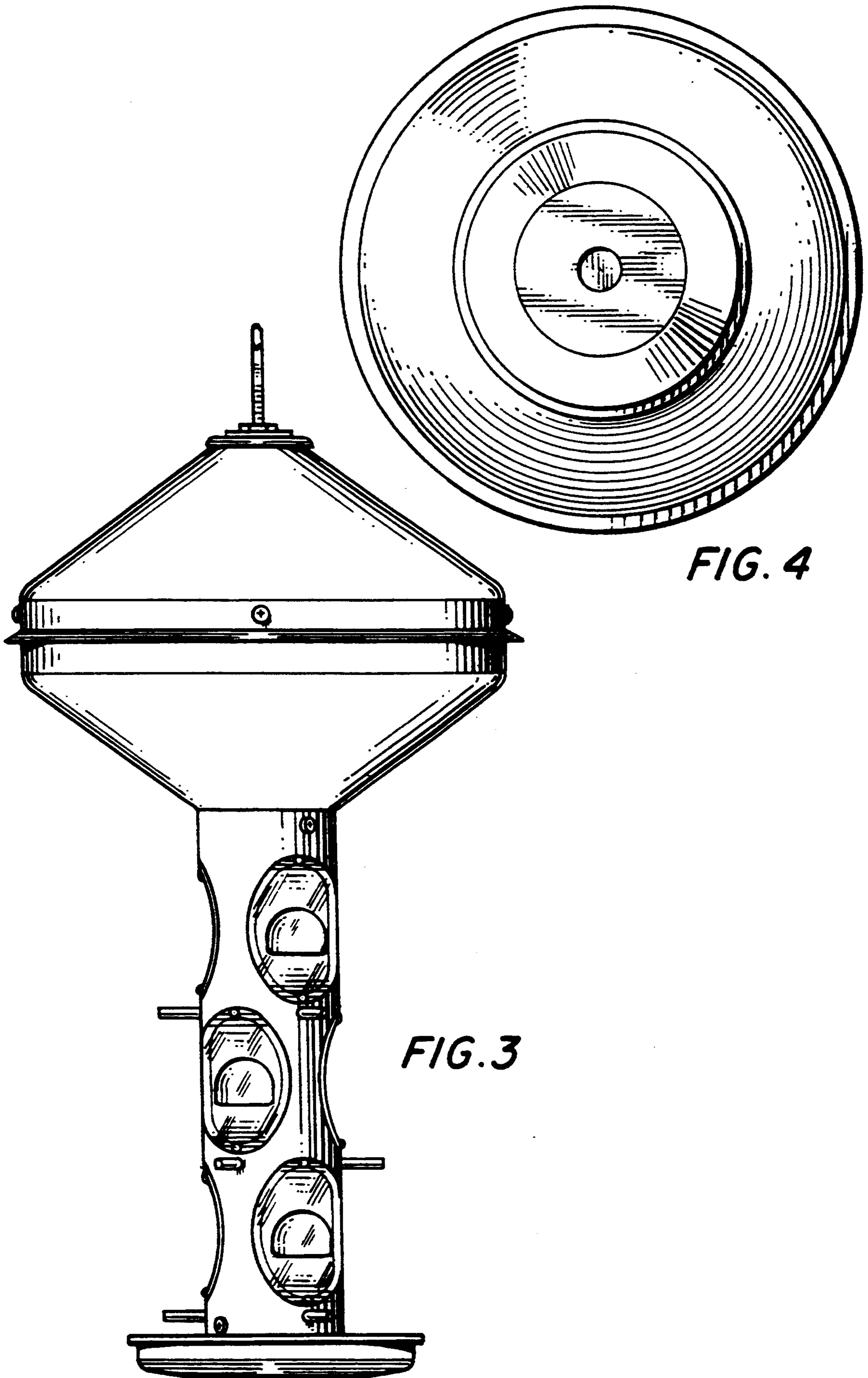


FIG. 2

FIG. 1



*FIG. 4*

*FIG. 3*



FIG. 5

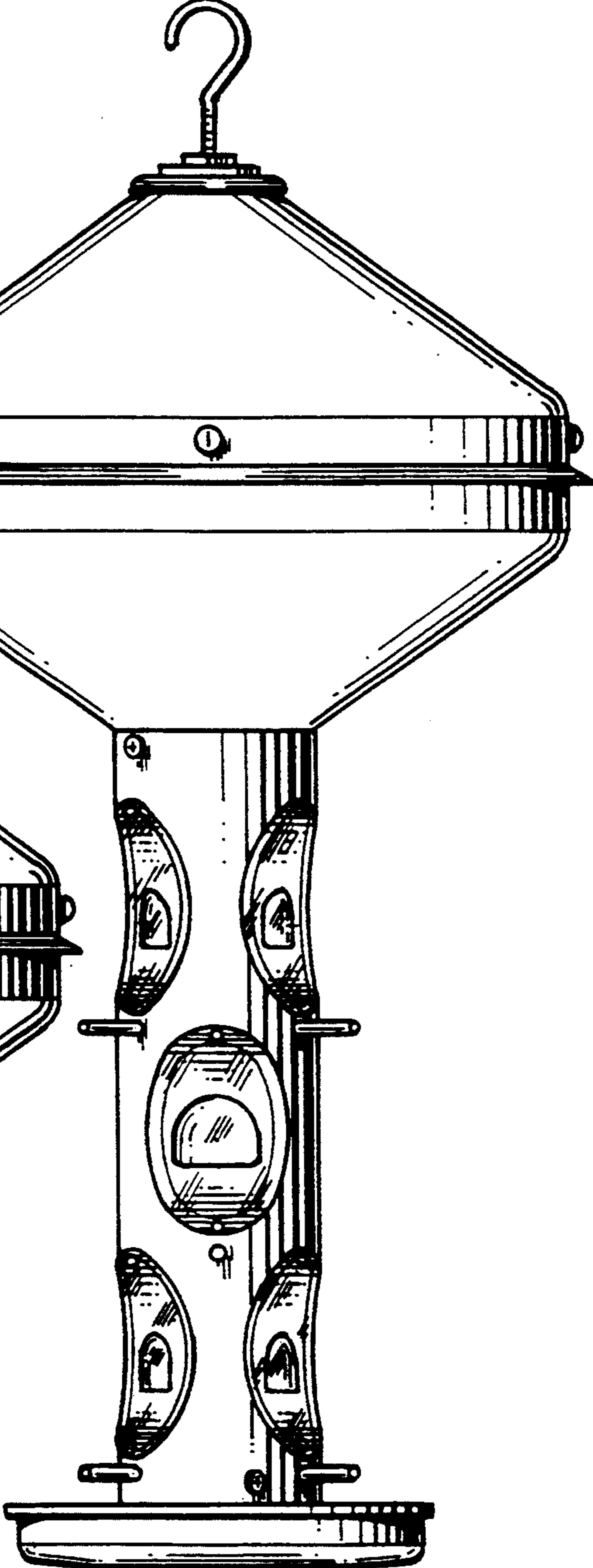
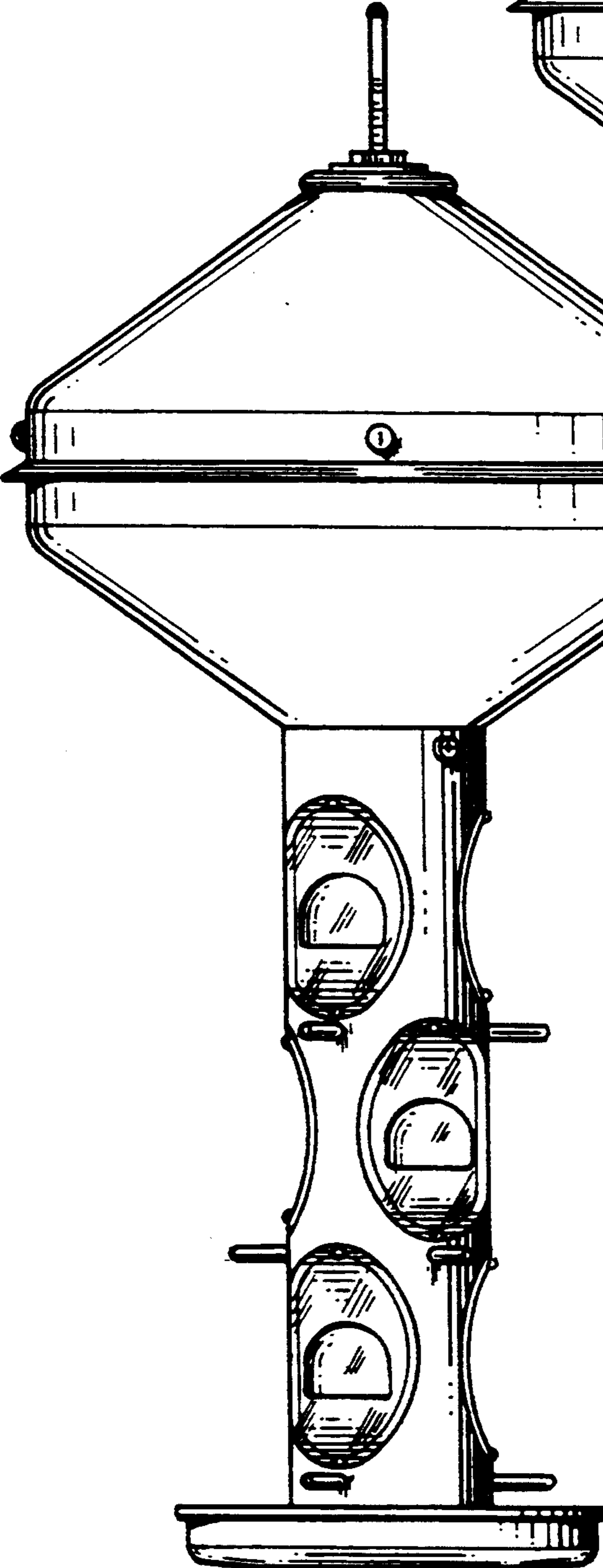


FIG. 6